



US00D429992S

United States Patent [19]
Ginzel et al.

[11] **Patent Number: Des. 429,992**

[45] **Date of Patent: ** Aug. 29, 2000**

[54] **DOOR CLOSER**

[75] Inventors: **Olaf Ginzel**, Dortmund; **Rainer Fengler**, Essen, both of Germany

[73] Assignee: **DORMA GmbH + Co. KG**, Ennepetal, Germany

[**] Term: **14 Years**

[21] Appl. No.: **29/099,947**

[22] Filed: **Feb. 1, 1999**

[51] **LOC (7) Cl.** **08-07**

[52] **U.S. Cl.** **D8/330**

[58] **Field of Search** D8/330, 343, 346;
16/49, 71, 52, 59, 62

[56] **References Cited**

U.S. PATENT DOCUMENTS

D. 281,762	12/1985	Okazaki	D8/330
3,426,382	2/1969	Lasier et al.	16/49
3,546,734	12/1970	Pollack et al.	16/52
5,265,306	11/1993	Yu	16/51

Primary Examiner—Susan J. Lucas

Assistant Examiner—Jennifer Rivard

Attorney, Agent, or Firm—Nils H. Ljungman & Associates

[57] **CLAIM**

The ornamental design for a door closer, as shown and described.

DESCRIPTION

FIG. 1 is a first end view of the embodiment of the present invention.

FIG. 2 is a second end view opposite to the first end view of FIG. 1 of the embodiment of the present invention.

FIG. 3 is a front view of the embodiment of the present invention.

FIG. 4 is a rear view of the embodiment of the present invention.

FIG. 5 is a top view of the embodiment of the present invention.

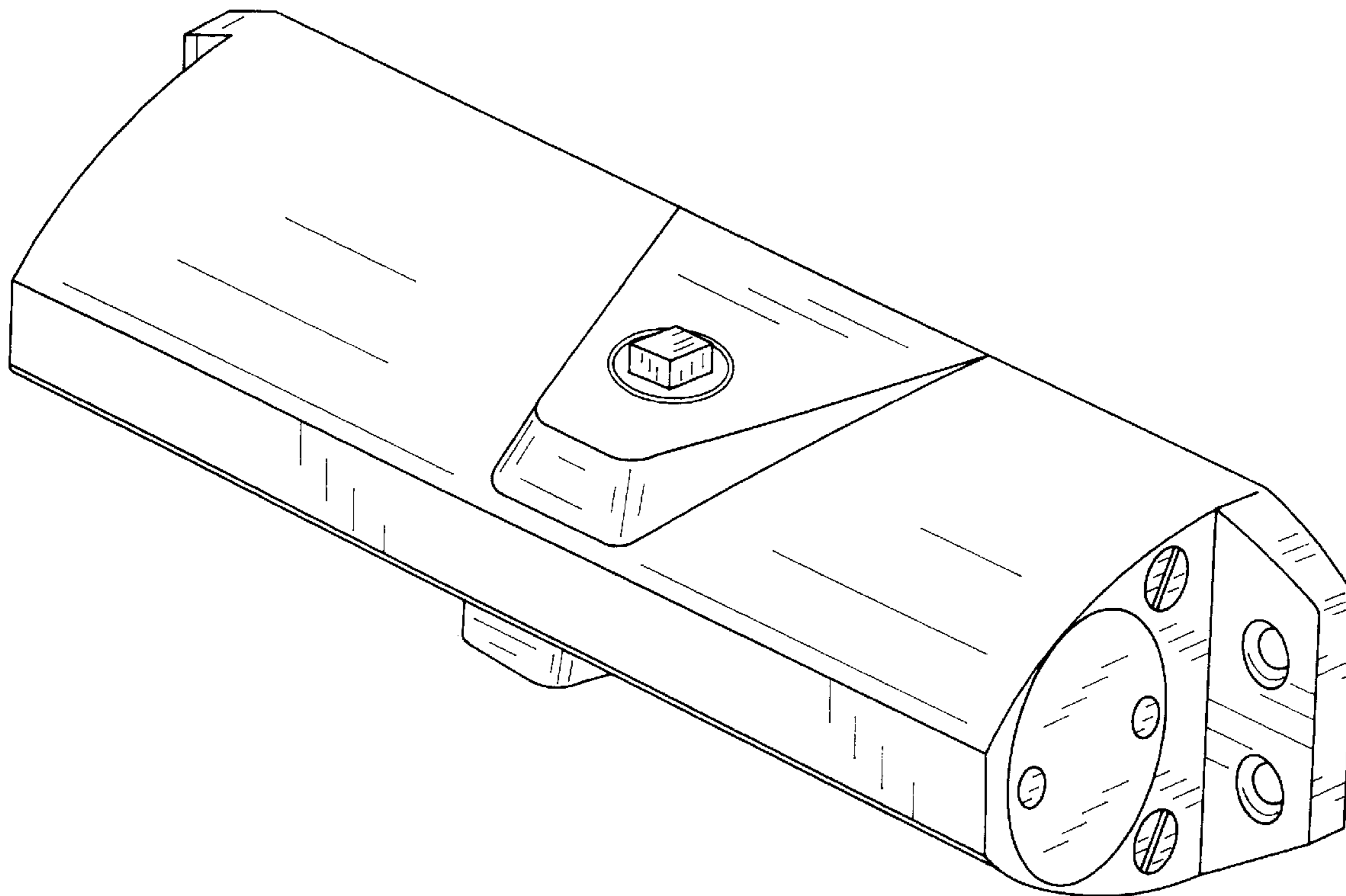
FIG. 6 is a bottom view of the embodiment of the present invention.

FIG. 7 is an isometric view of the embodiment of the present invention; and,

FIG. 8 is the front view of the door closer, with the door shown in broken lines, illustrating the environment in which the door closer may be used.

The broken lines are shown for illustrative purposes only and form no part of the claimed design.

1 Claim, 4 Drawing Sheets



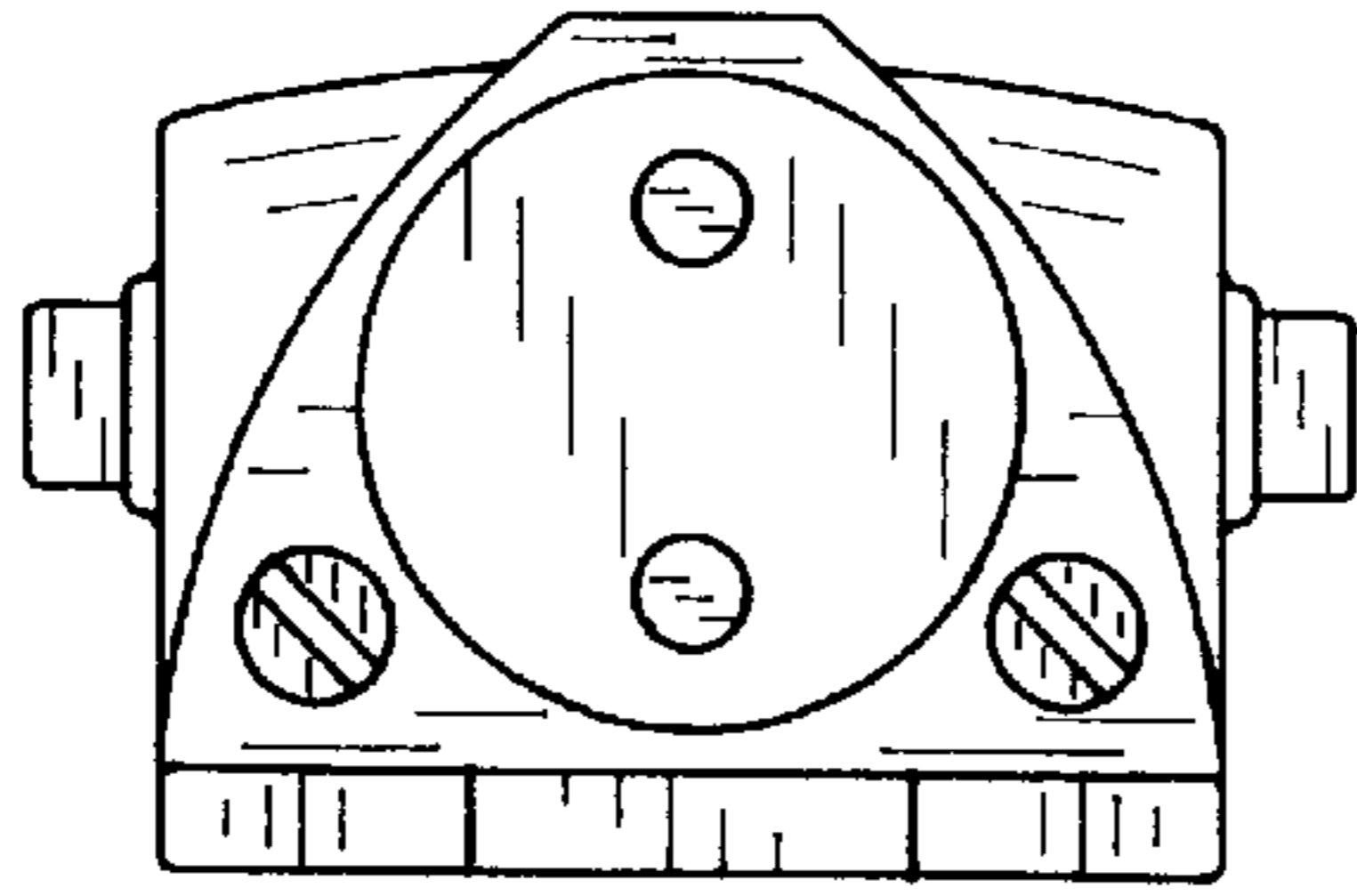


FIG. 1

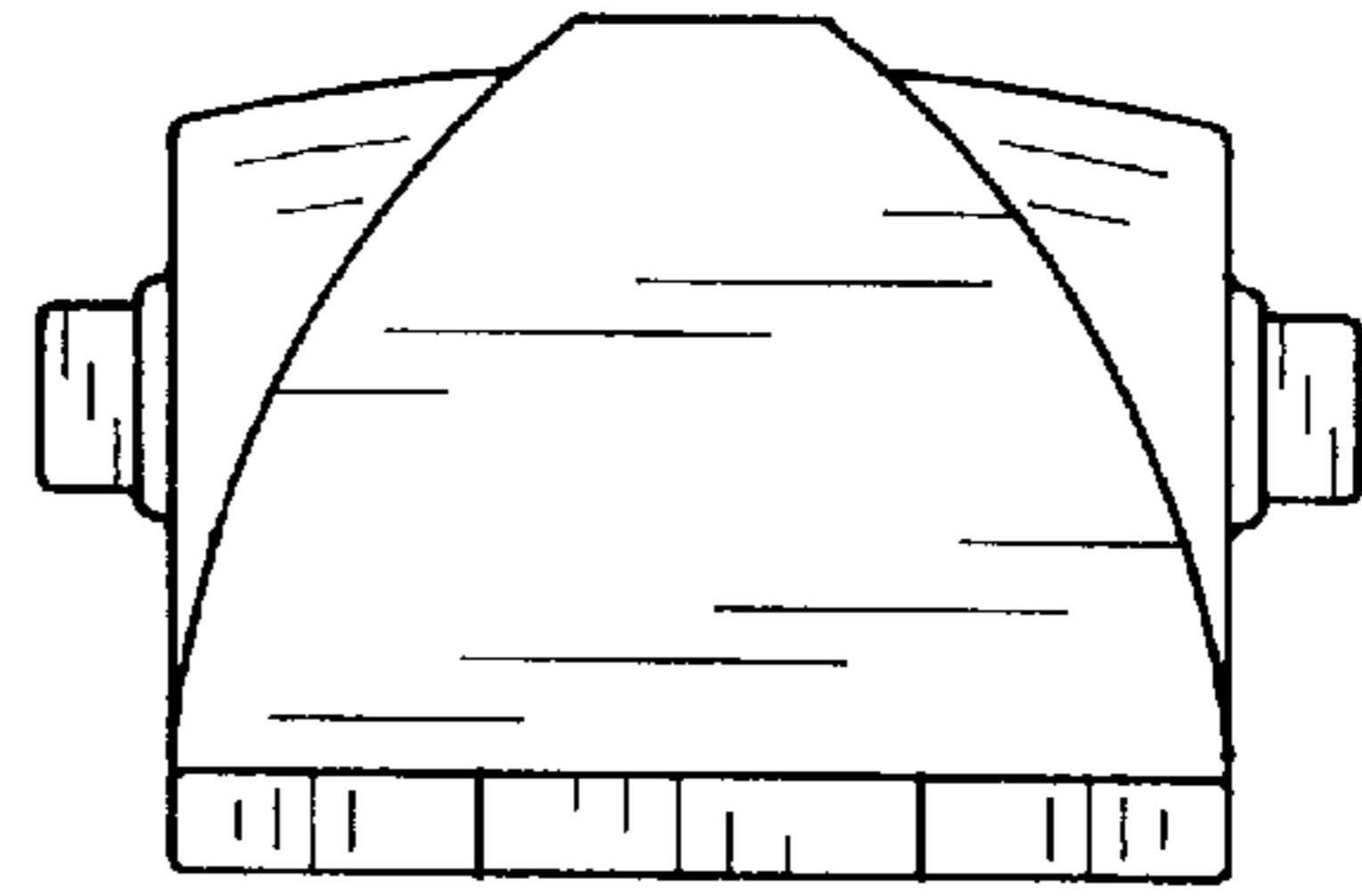


FIG. 2

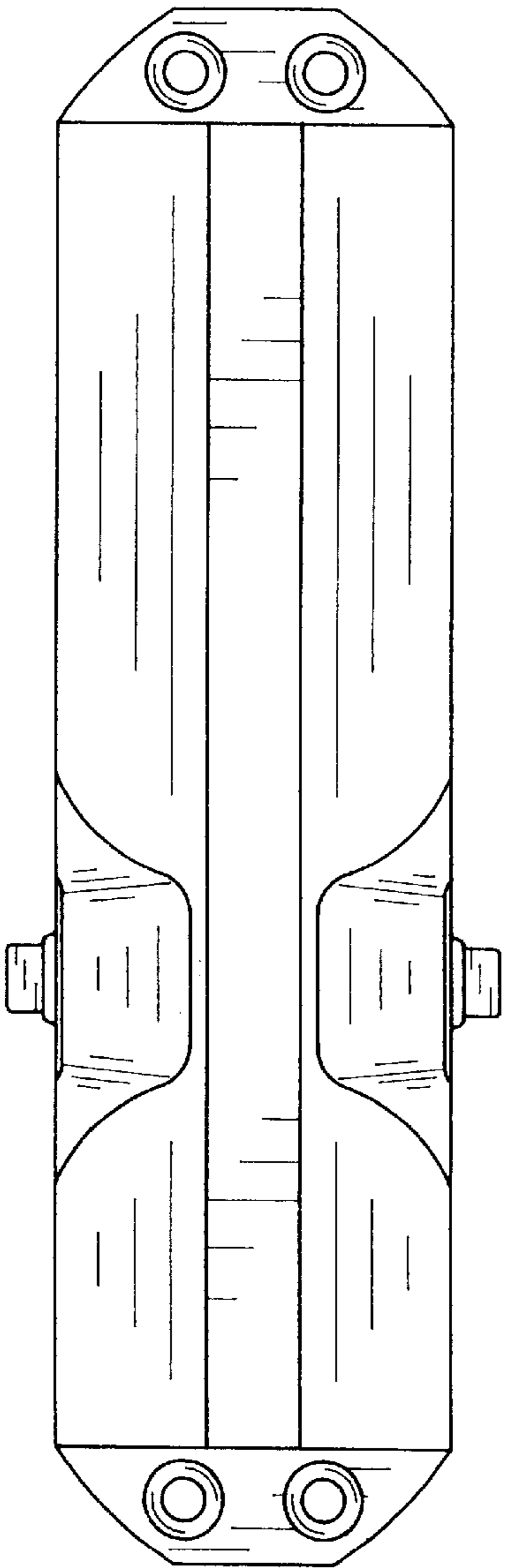


FIG. 3

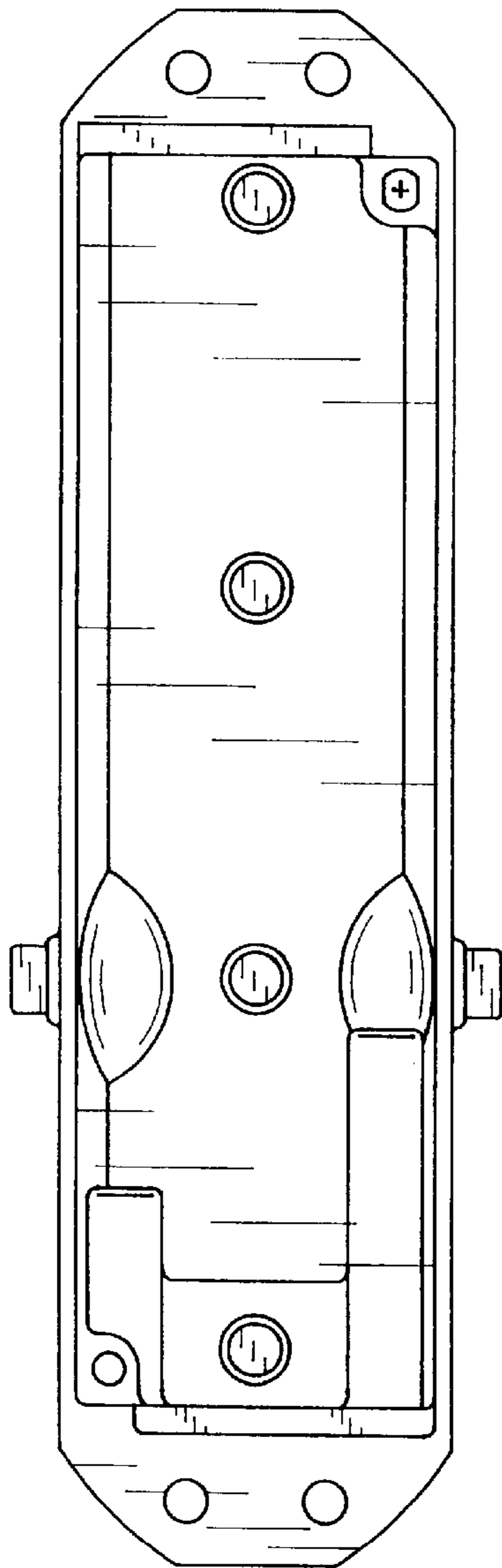


FIG. 4

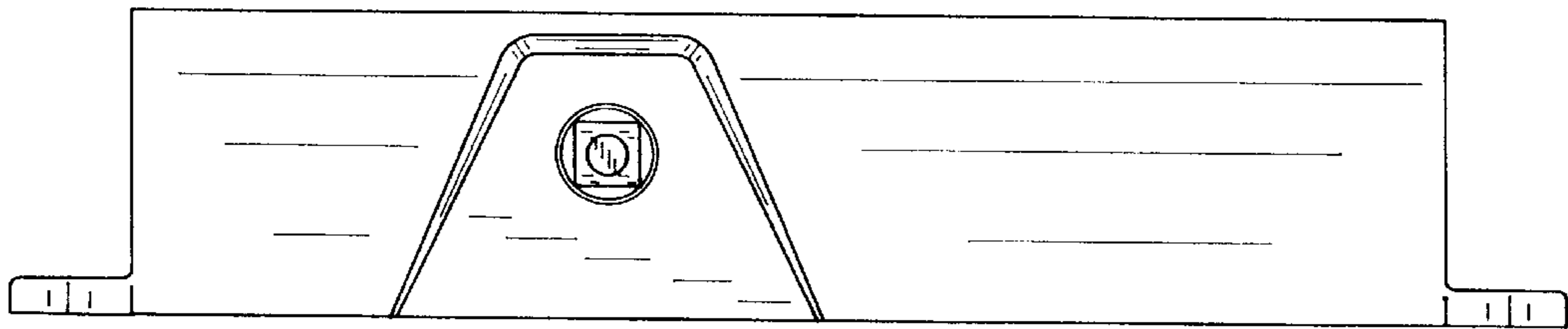


FIG. 5

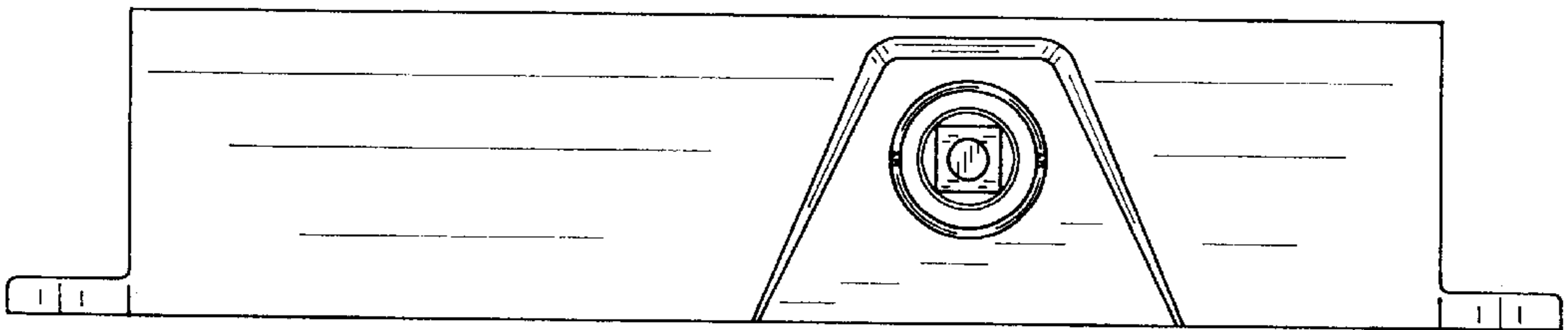


FIG. 6

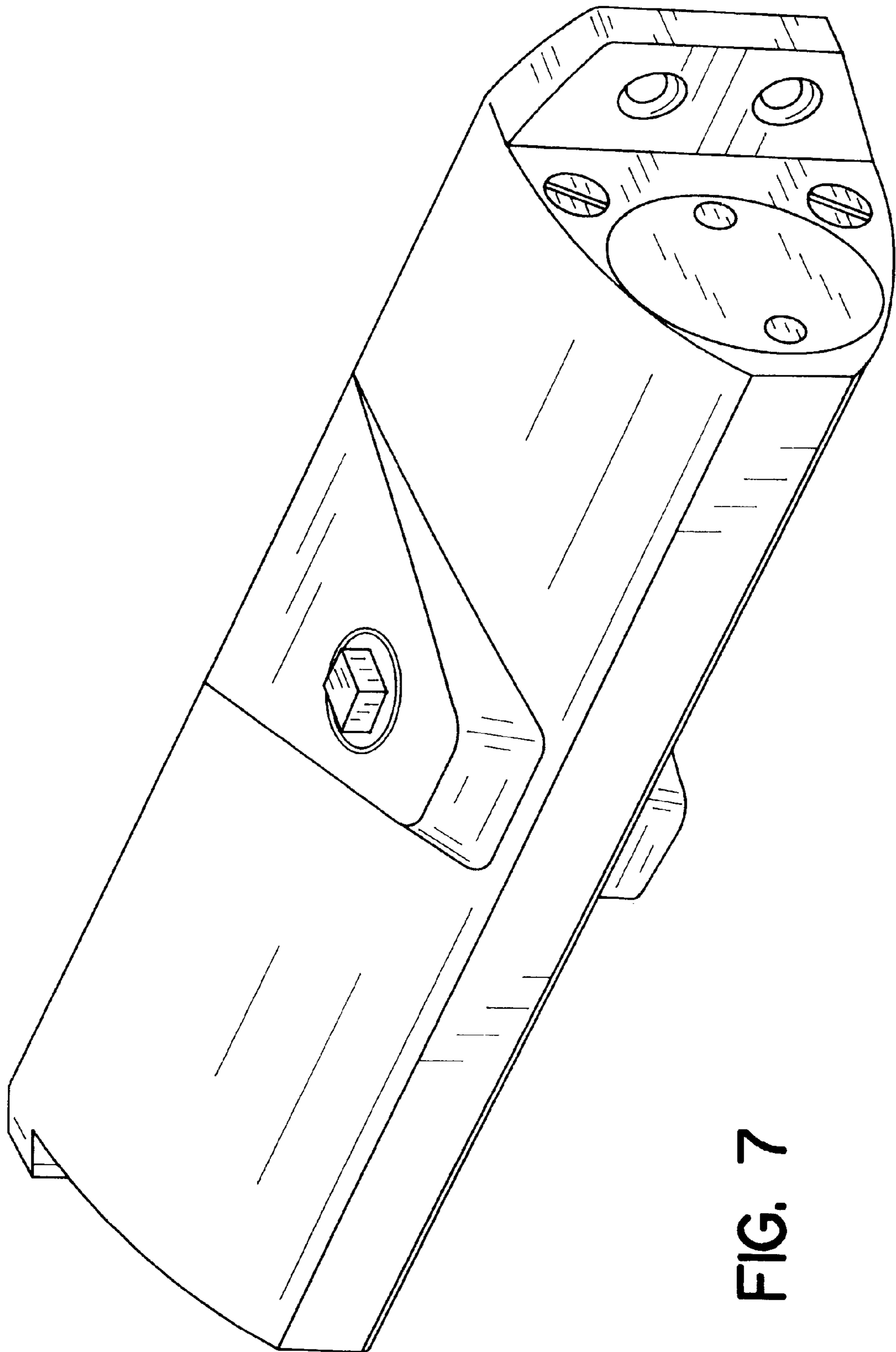


FIG. 7

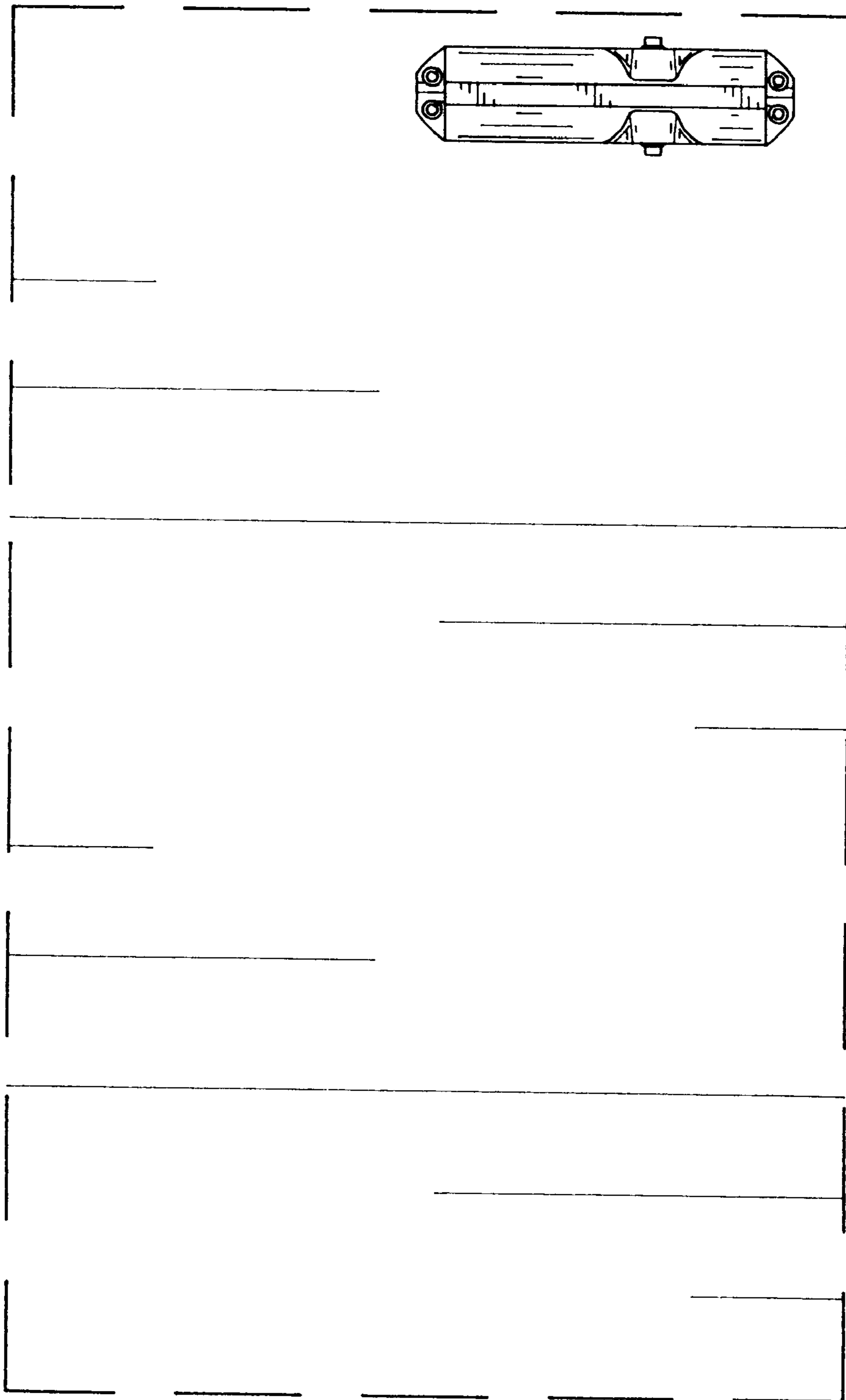


FIG. 8

UNITED STATES PATENT AND TRADEMARK OFFICE
CERTIFICATE OF CORRECTION

PATENT NO. : Des. 429,992
APPLICATION NO. : 29/099947
DATED : August 29, 2000
INVENTOR(S) : Olaf Ginzel and Rainer Fengler

Page 1 of 1

It is certified that error appears in the above-identified patent and that said Letters Patent is hereby corrected as shown below:

On the title page, item [30], insert the following section:

-- [30] Foreign Application Priority Data

Aug. 3, 1998 [DE] Germany 498 07 603.2 --.

Signed and Sealed this

Twenty-ninth Day of January, 2008



JON W. DUDAS

Director of the United States Patent and Trademark Office