



US00D429991S

# United States Patent [19] Short

[11] **Patent Number: Des. 429,991**

[45] **Date of Patent: \*\* Aug. 29, 2000**

[54] **KNOB**

D. 290,493 6/1987 Dragos ..... D8/307  
4,790,208 12/1988 Johnson .  
5,255,413 10/1993 Sabo .

[75] Inventor: **Kevin G. Short**, LaGrange, Ill.

[73] Assignee: **Newell Operating Co.**, Freeport, Ill.

*Primary Examiner*—B. J. Bullock  
*Attorney, Agent, or Firm*—Foley & Lardner

[\*\*] Term: **14 Years**

### [57] CLAIM

[21] Appl. No.: **29/118,037**

I claim the ornamental design for a knob, as shown and described.

[22] Filed: **Feb. 3, 2000**

### DESCRIPTION

[51] **LOC (7) Cl.** ..... **08-06**

[52] **U.S. Cl.** ..... **D8/307**

[58] **Field of Search** ..... D8/300, 307; D23/250;  
16/110.1, 412, 414, 417, 441

FIG. 1 is a perspective view of the knob.  
FIG. 2 is a top plan view of the knob.  
FIG. 3 is a front elevation view of the knob.  
FIG. 4 is a side elevation view of the knob; and,  
FIG. 5 is a bottom plan view of the knob.  
The broken lines at the base of the stem represent the bounds of the claim and all others are for illustrative purposes only. None of the broken lines form a part of the claimed design.

### [56] References Cited

#### U.S. PATENT DOCUMENTS

- D. 152,901 3/1949 Petersen .
- D. 220,933 6/1971 Kartarik .
- D. 224,225 7/1972 Doman .

**1 Claim, 1 Drawing Sheet**

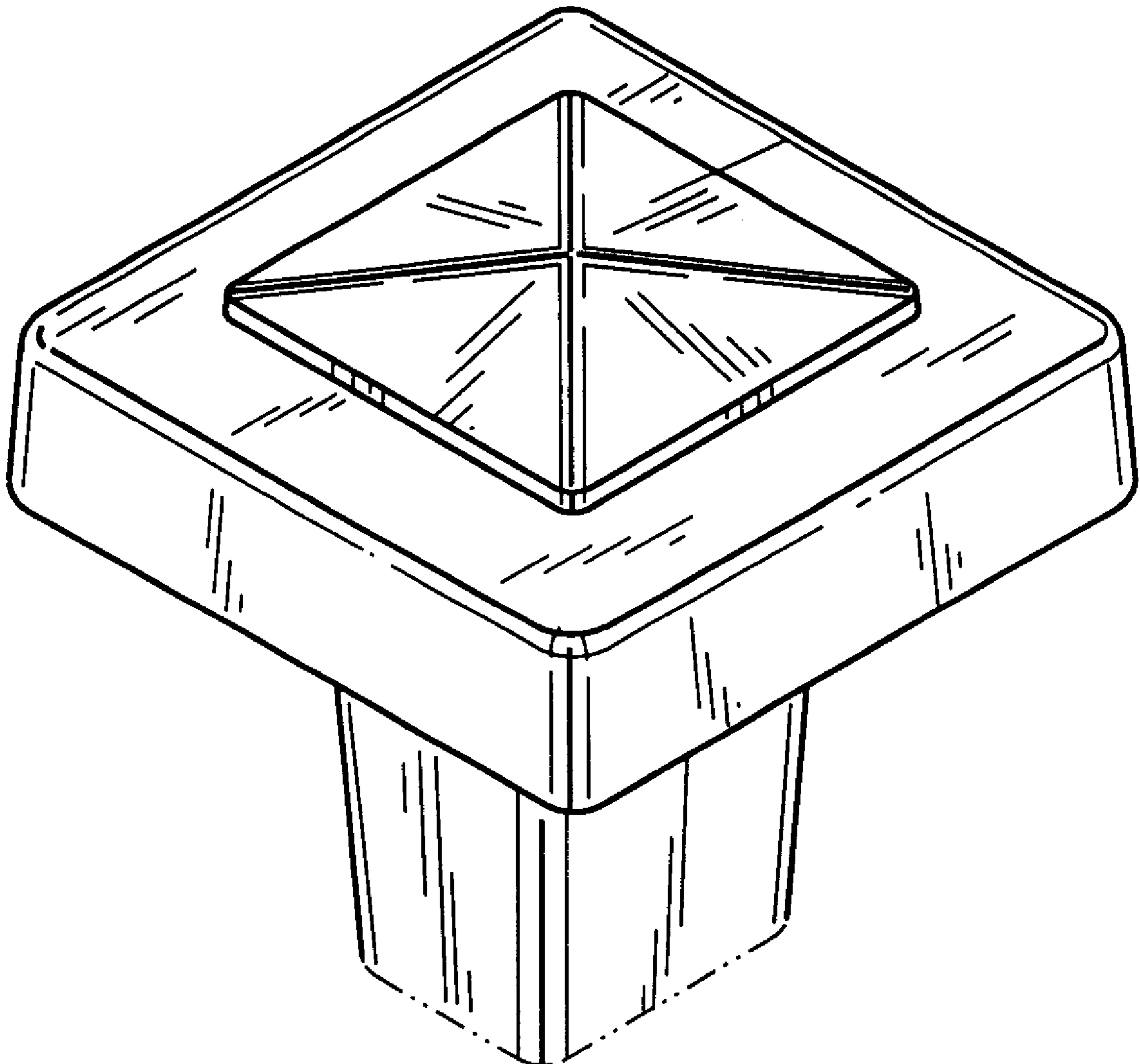


FIG. 1

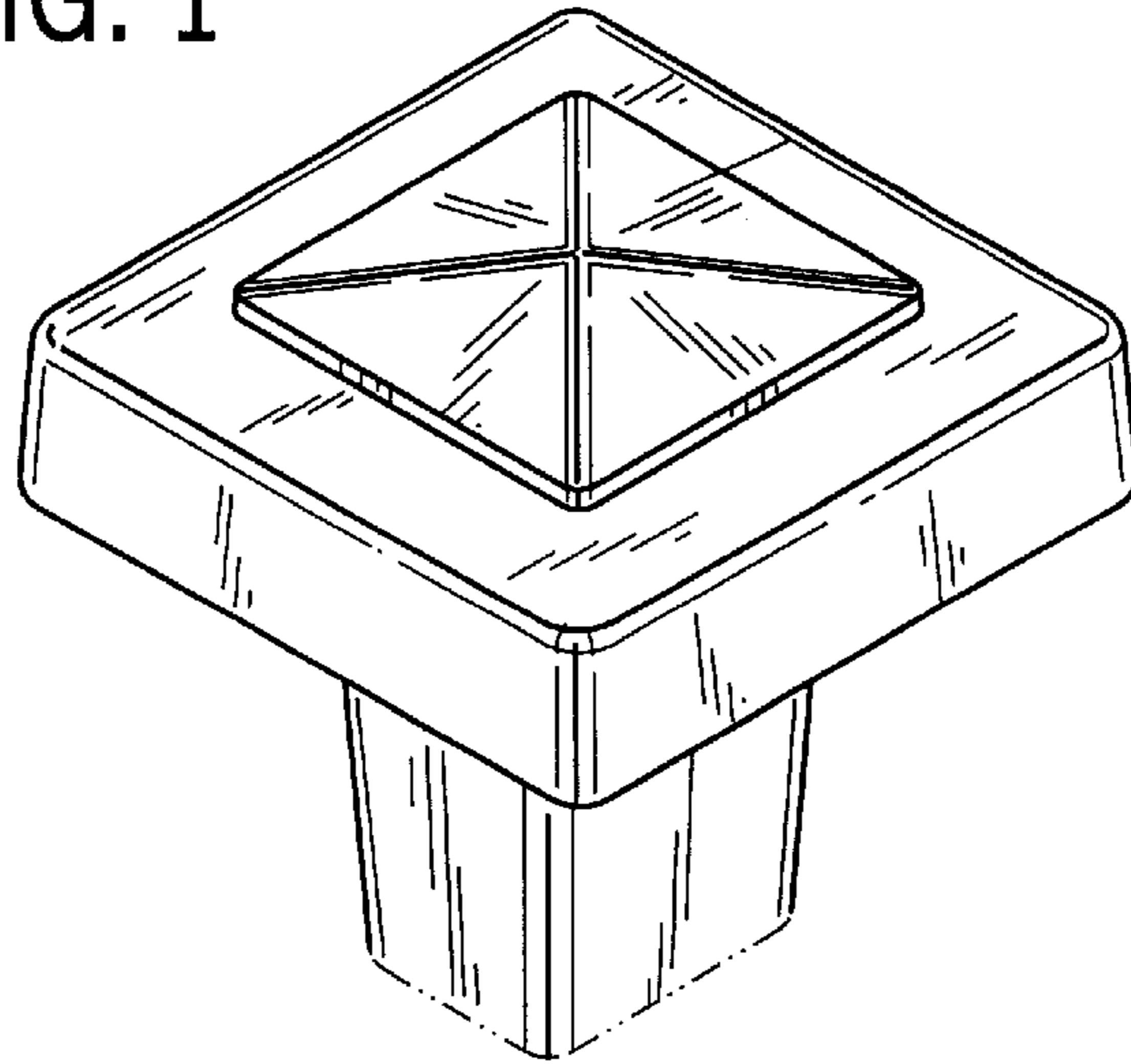


FIG. 2

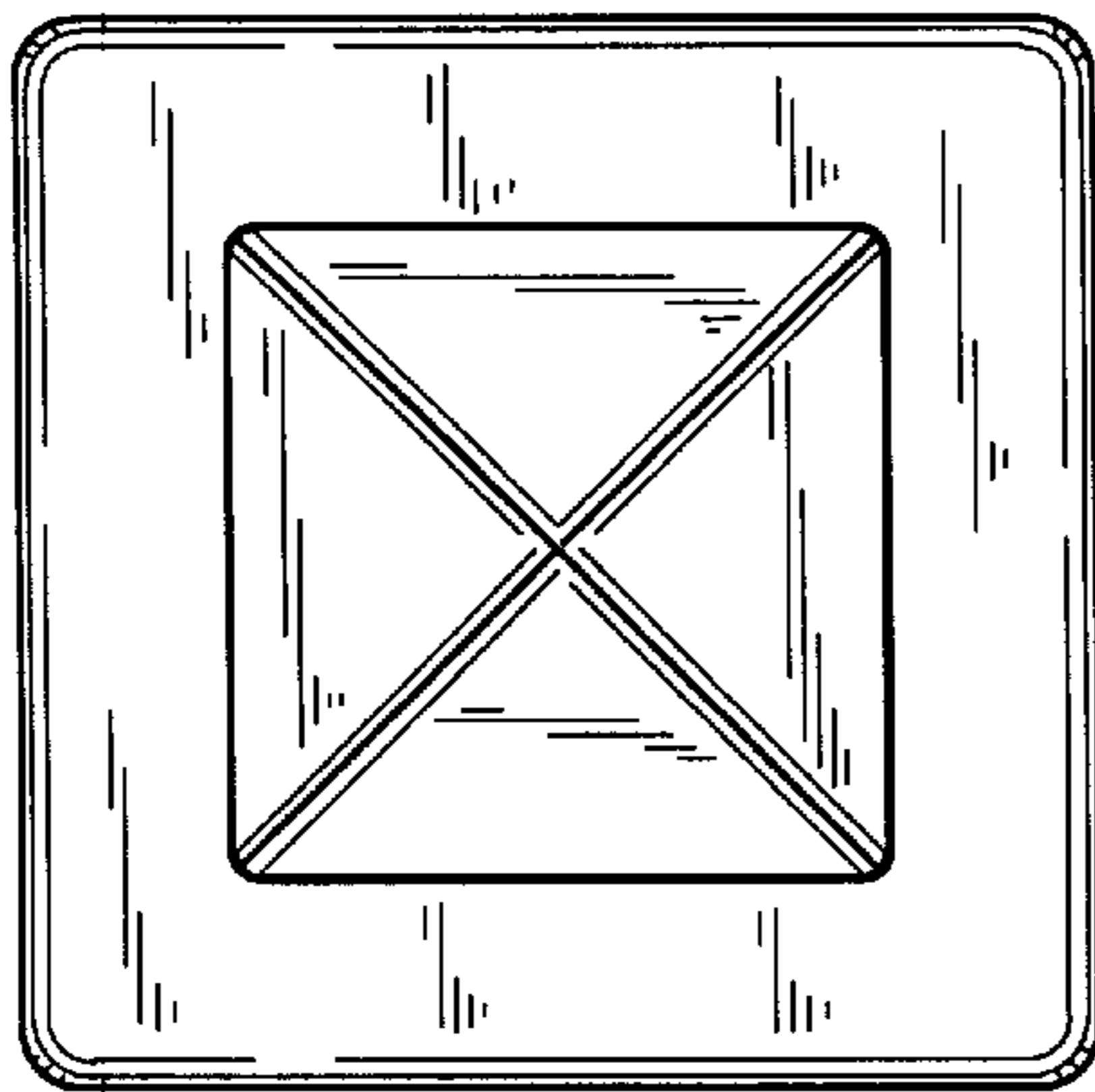


FIG. 4

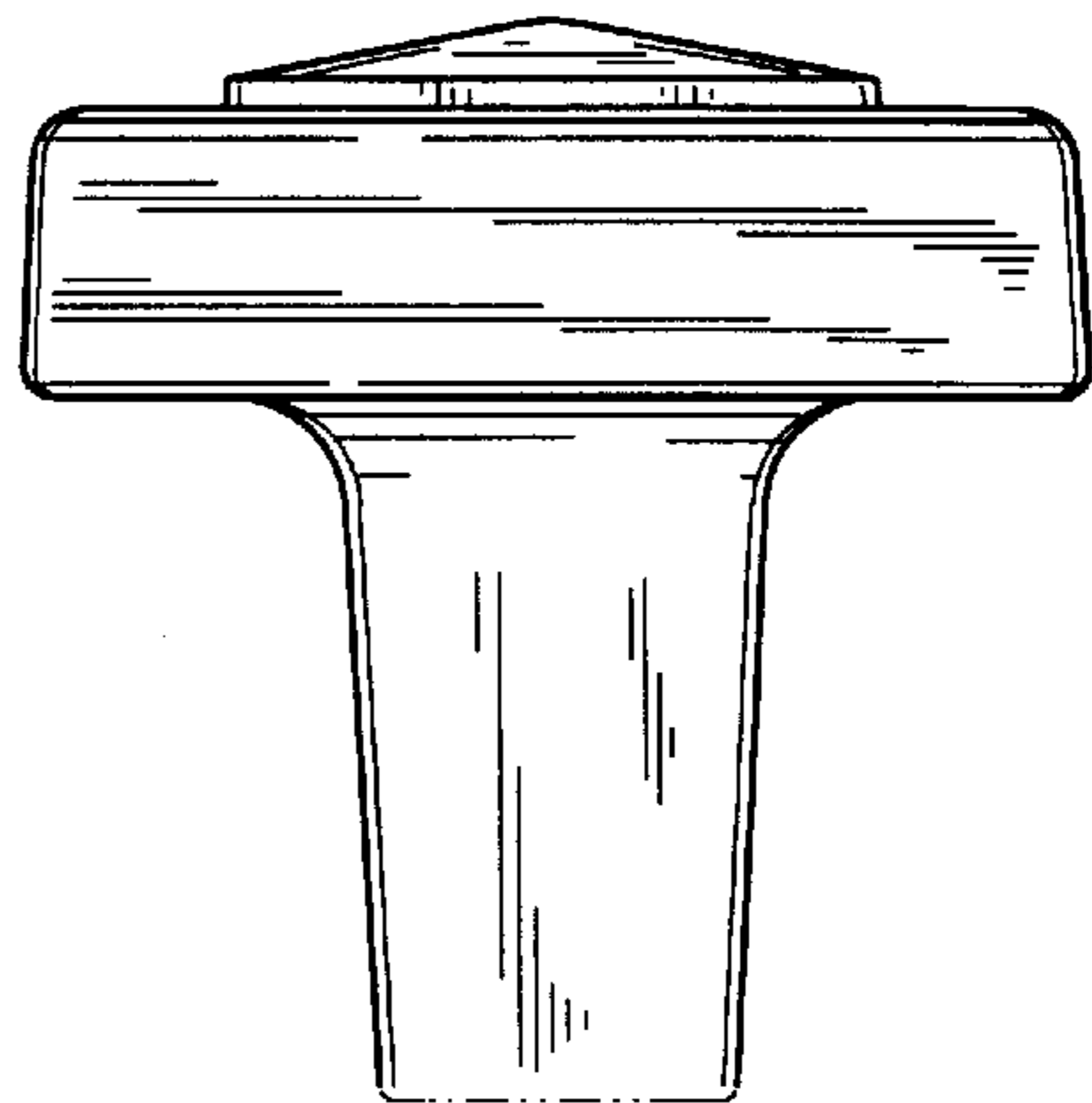


FIG. 3

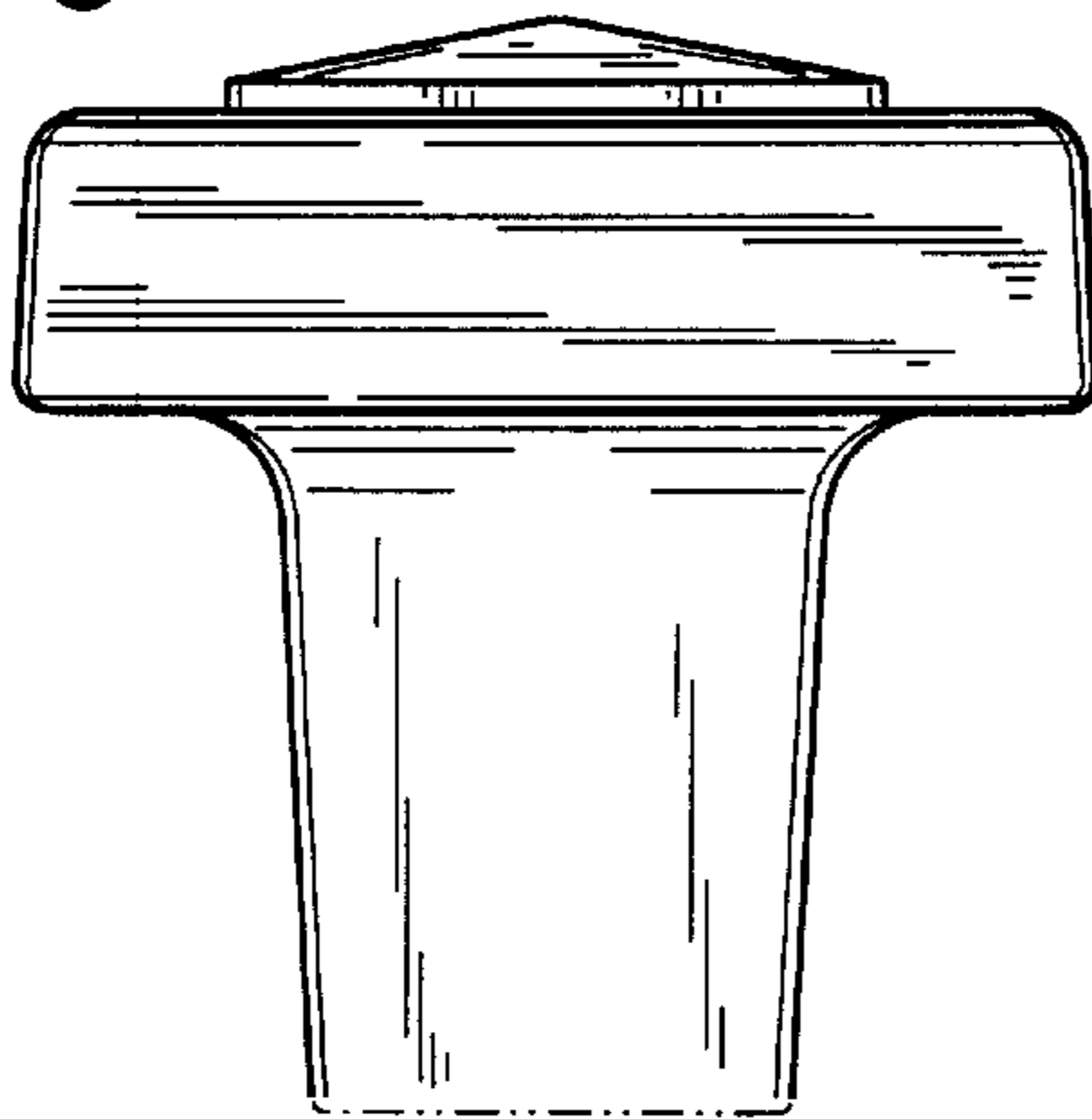
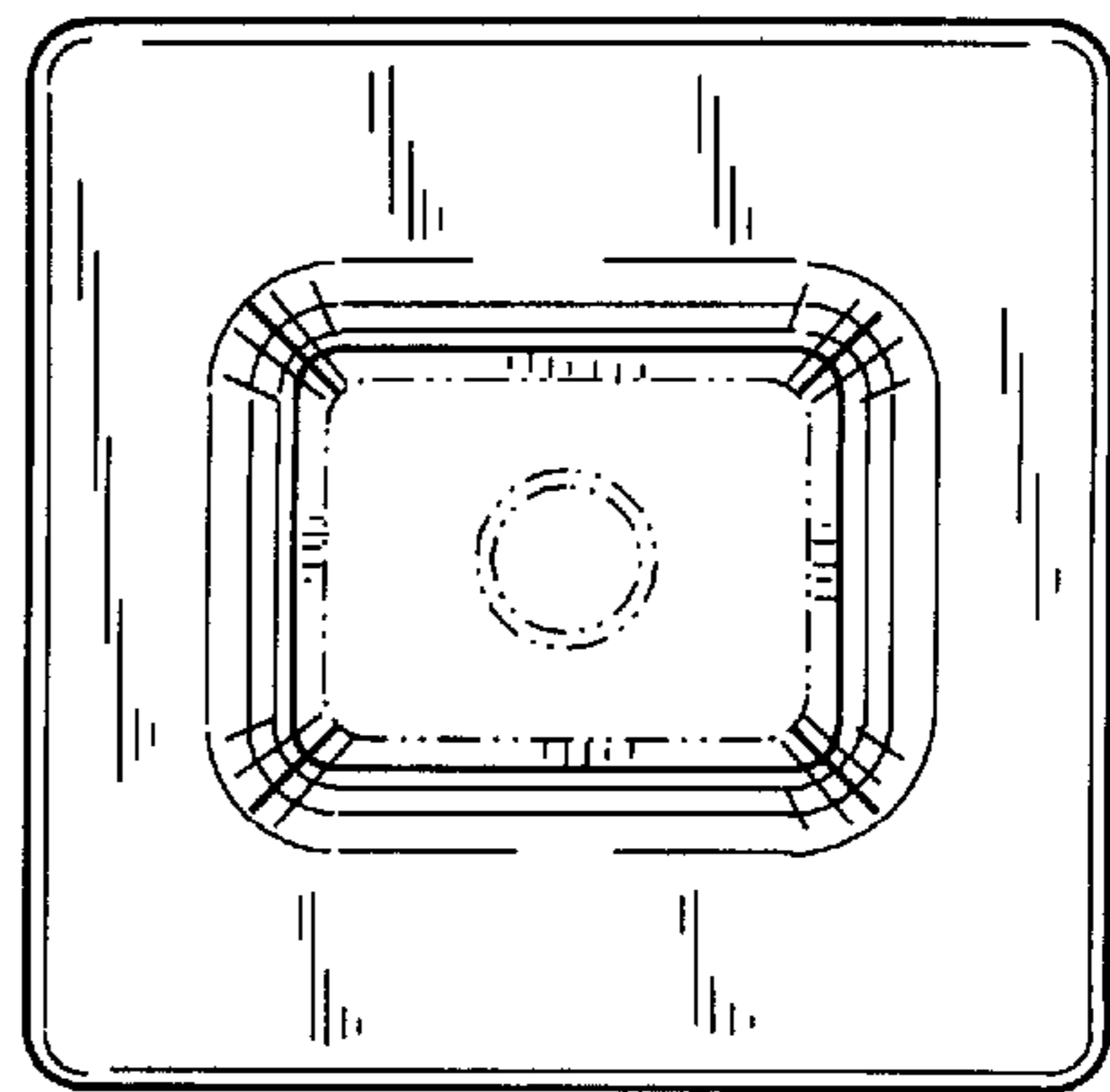


FIG. 5



UNITED STATES PATENT AND TRADEMARK OFFICE  
**CERTIFICATE OF CORRECTION**

PATENT NO. : Des. 429,991  
DATED : August 29, 2000  
INVENTOR(S) : Short

Page 1 of 1

It is certified that error appears in the above-identified patent and that said Letters Patent is hereby corrected as shown below:

Delete "FIG. 4 is a side elevation view of the knob; and," and replace  
with --FIG. 4 is a side elevation view of the knob.--

Signed and Sealed this  
Seventeenth Day of July, 2001

*Attest:*

*Nicholas P. Godici*

*Attesting Officer*

NICHOLAS P. GODICI  
*Acting Director of the United States Patent and Trademark Office*