



US00D429989S

United States Patent [19] Rivera

[11] **Patent Number: Des. 429,989**

[45] **Date of Patent: ** Aug. 29, 2000**

[54] **HANDLE FOR A MULTIPURPOSE HAND TOOL**

[75] Inventor: **Benjamin C. Rivera**, West Linn, Oreg.

[73] Assignee: **Leatherman Tool Group, Inc.**,
Portland, Oreg.

[**] Term: **14 Years**

[21] Appl. No.: **29/116,867**

[22] Filed: **Jan. 12, 2000**

[51] **LOC (7) Cl.** **08-05**

[52] **U.S. Cl.** **D8/105; D8/107**

[58] **Field of Search** D8/105, 26, 107,
D8/99, 55, 81, 87, 52; 30/161, 164, 153;
7/118, 125-135, 138, 143, 164, 170; 81/177.1,
177.2, 177.6, 427.5

[56] **References Cited**

U.S. PATENT DOCUMENTS

D. 368,634	4/1996	Frazer	D8/105
D. 385,170	10/1997	Rivera	D8/52
D. 403,569	1/1999	Frazer	D8/105
D. 403,944	1/1999	Rivera	D8/107
D. 405,675	2/1999	Rivera	D8/107
D. 405,676	2/1999	Rivera	D8/107
D. 406,508	3/1999	Rivera	D8/52
D. 406,509	3/1999	Rivera	D8/55
D. 407,622	4/1999	Rivera	D8/107
D. 414,092	9/1999	Chang	D8/55
D. 414,097	9/1999	Berg et al.	D8/105
D. 414,393	9/1999	Berg et al.	D8/55
D. 417,601	12/1999	Rivera	D8/107
4,238,862	12/1980	Leatherman	7/128
4,744,272	5/1988	Leatherman	81/427.5

5,697,114	12/1997	McIntosh et al.	7/129
5,809,599	9/1998	Frazer	7/128
5,978,993	11/1999	Rivera	7/128
5,979,059	11/1999	Leatherman et al.	30/161
6,038,735	3/2000	Chang	16/110.1
6,047,426	4/2000	McIntosh et al.	7/129

OTHER PUBLICATIONS

Jun. 1997 Gorilla and Sons, Inc., pp. 80-83, Various Multi-Tools.

Primary Examiner—Jeffrey Asch
Attorney, Agent, or Firm—Chernoff, Vilhauer, McClung & Stenzel, LLP

[57] **CLAIM**

The ornamental design for a handle for a multipurpose hand tool, as shown and described.

DESCRIPTION

FIG. 1 is an isometric view from the upper right rear of a handle for a multipurpose hand tool including my new design, wherein the broken line depiction of pivot pin holes is included for illustrative purposes and forms no part of the claimed design;

FIG. 2 is an isometric view from the upper right rear of the folded multipurpose hand tool shown in FIG. 1, showing my new design;

FIG. 3 is a right side elevational view thereof;

FIG. 4 is a top plan view thereof;

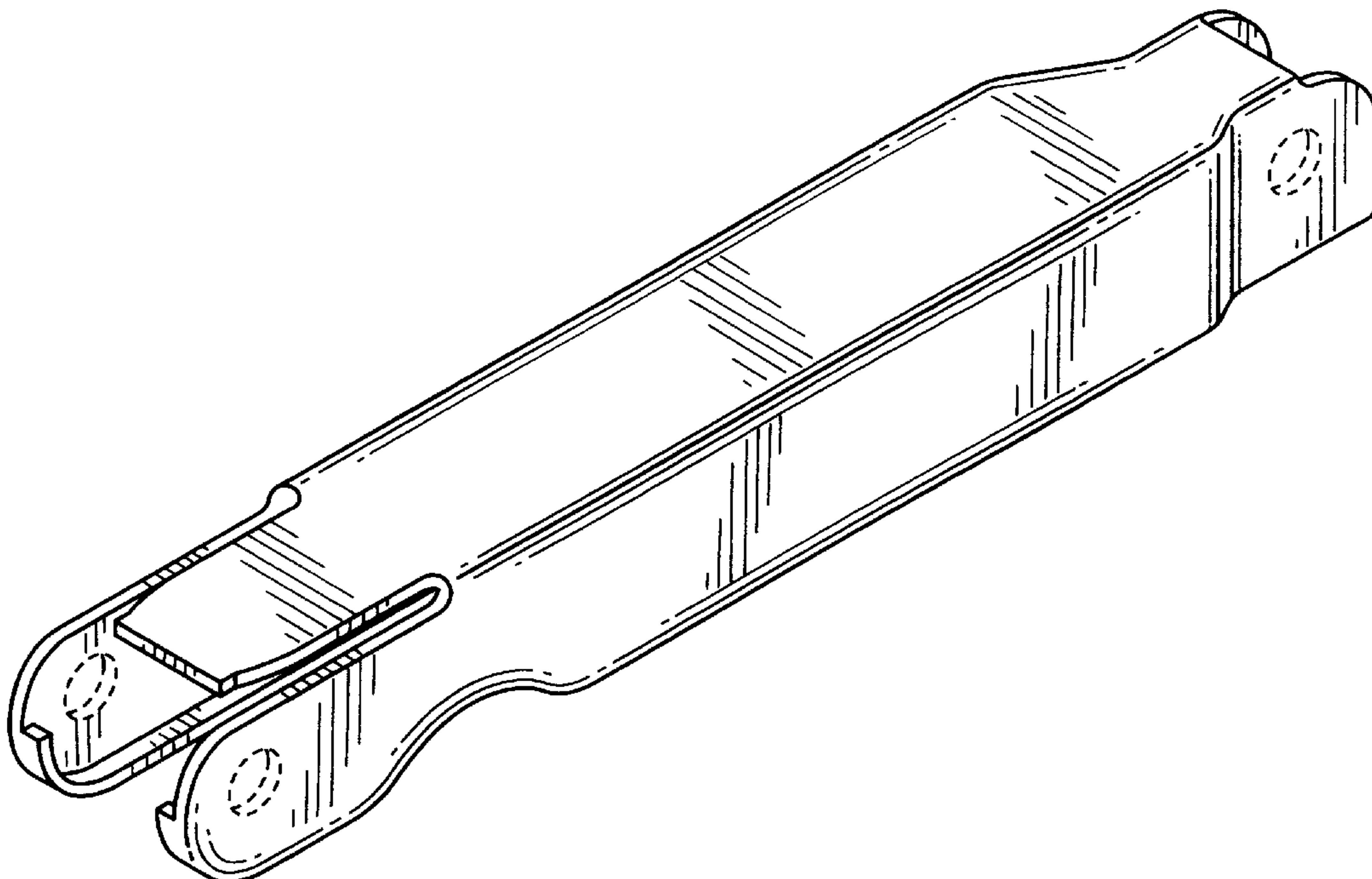
FIG. 5 is a bottom plan view thereof;

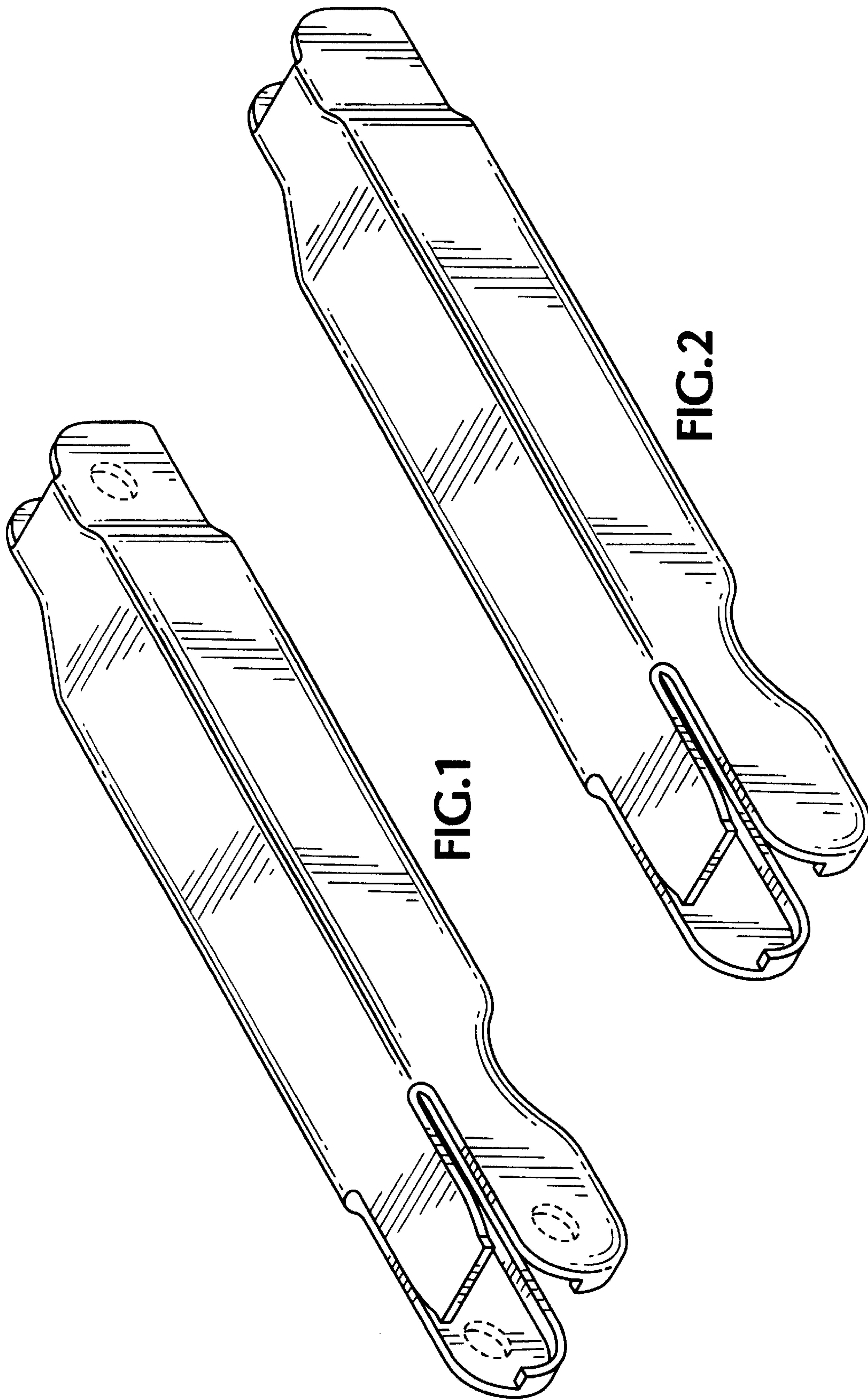
FIG. 6 is a left side elevational view thereof;

FIG. 7 is a rear end elevational view thereof; and,

FIG. 8 is a front end elevational view thereof.

1 Claim, 2 Drawing Sheets





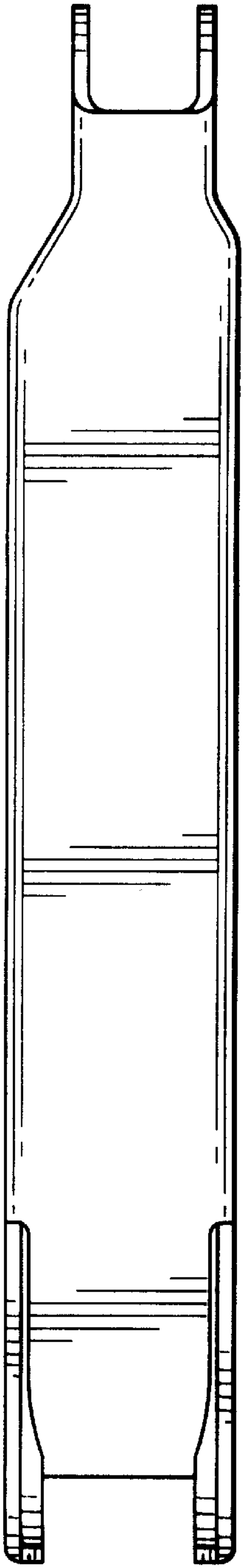


FIG. 4

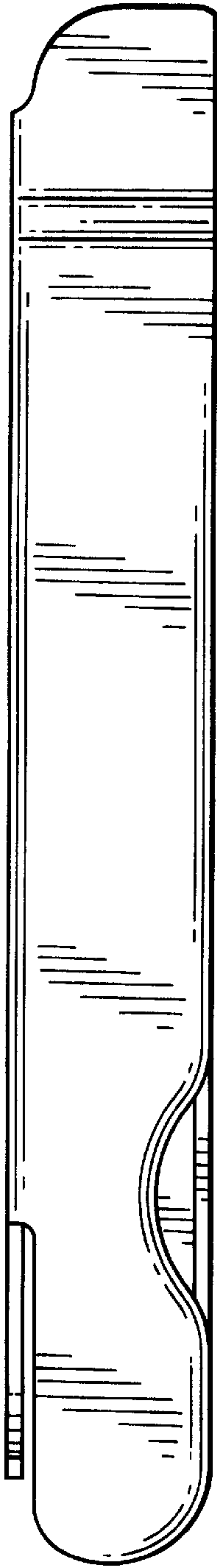


FIG. 3

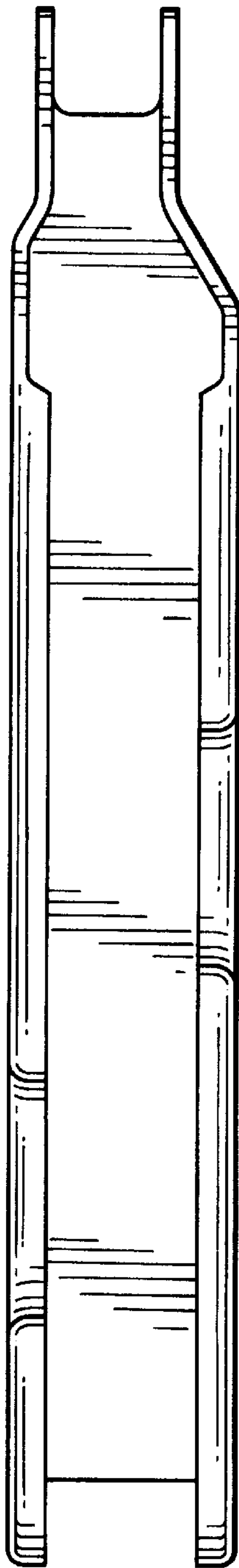


FIG. 5

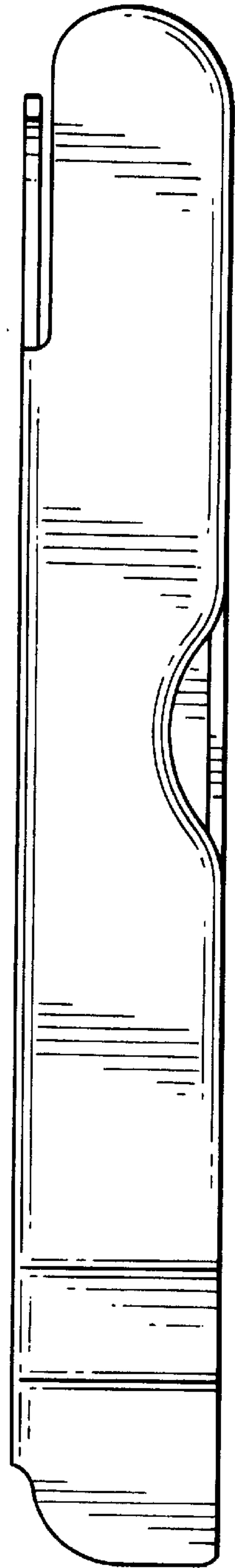


FIG. 6

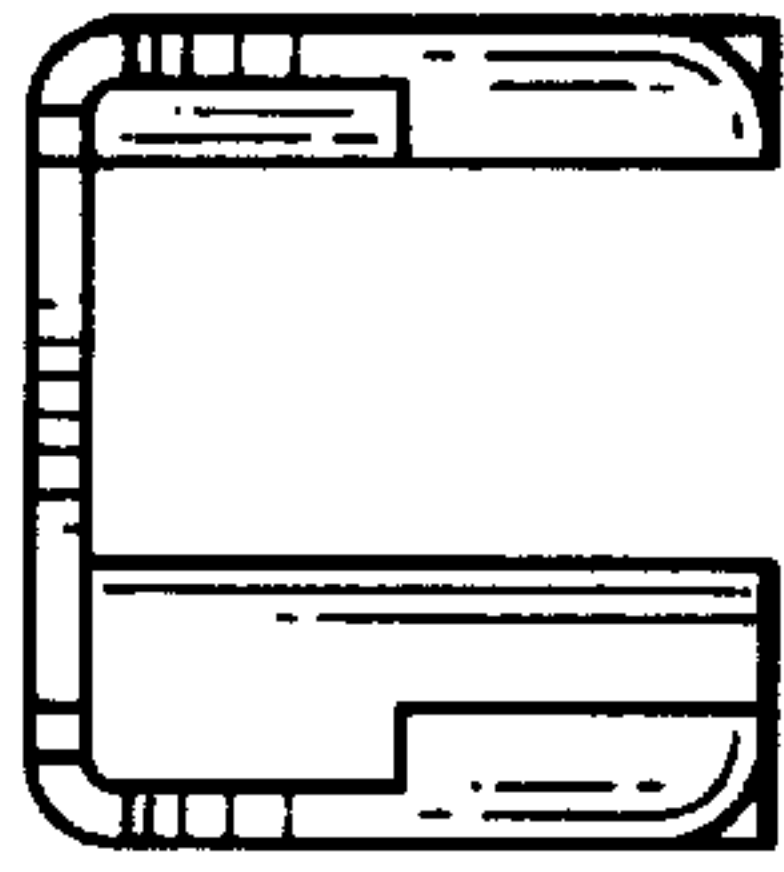


FIG. 7

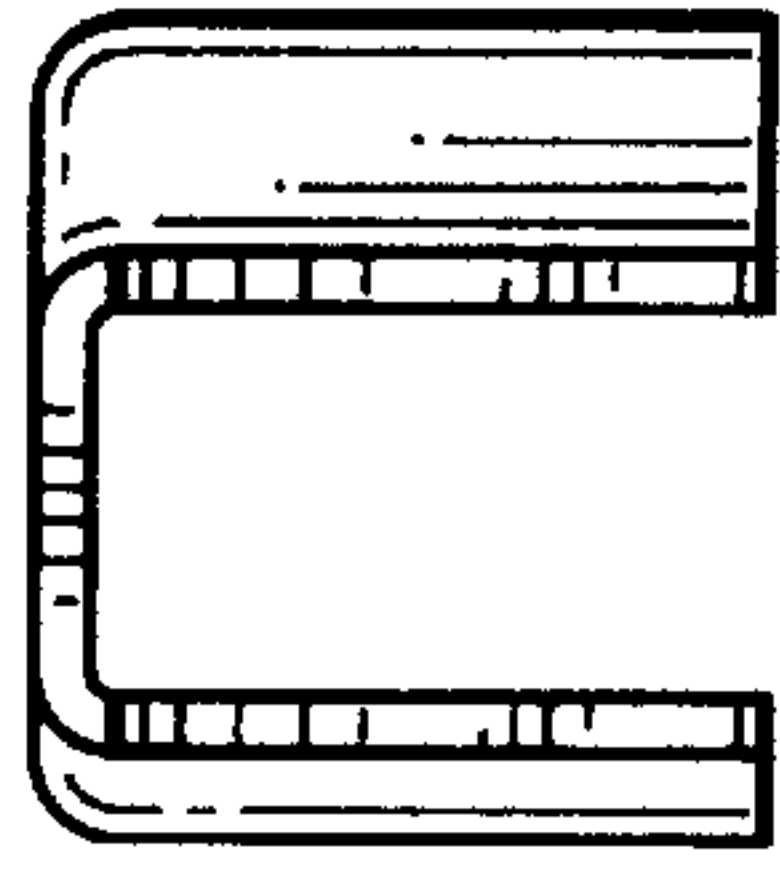


FIG. 8