



US00D429988S

# United States Patent [19]

Lau et al.

[11] Patent Number: Des. 429,988

[45] Date of Patent: \*\* Aug. 29, 2000

[54] COMPACT TOOL

[75] Inventors: **Tung Yan Yen Lau; Walter Wolf Windisch**, both of Fo Tan, China

[73] Assignee: **The Innovators Ltd.**, Fo Tan, China

[\*\*] Term: **14 Years**

[21] Appl. No.: **29/109,961**

[22] Filed: **Aug. 26, 1999**

[51] LOC (7) Cl. .... **08-05**

[52] U.S. Cl. .... **D8/105**

[58] Field of Search ..... D8/105, 26, 99, D8/55, 81, 87; 30/161, 164, 153, 152; 7/118, 125-135, 138, 143, 164, 170; 81/177.1, 177.2, 177.6, 427.5

[56] **References Cited**

**U.S. PATENT DOCUMENTS**

D. 175,363	8/1955	Polincovsky .....	D8/99
D. 175,853	10/1955	Polk .....	D8/99
D. 350,271	9/1994	Landy et al. ....	D8/99
D. 364,327	11/1995	Graham .....	D8/105
D. 398,212	9/1998	Cachot .....	D8/105
D. 407,620	4/1999	Cachot .....	D8/105
613,698	11/1898	Martin .....	30/152
1,015,026	9/1912	Jackson et al. ....	7/168

1,115,780	11/1914	Champlin .....	7/119
1,828,121	10/1931	Adam et al. ....	7/118 X
4,854,045	8/1989	Schaub .....	30/155
5,950,265	9/1999	Allen et al. ....	7/118

**OTHER PUBLICATIONS**

Gorilla & Sons, Inc., p. 13, TaskMate II Knife.  
Gorilla & Sons, Inc., p. 75, Swiss Army Knives.

*Primary Examiner*—Jeffrey Asch  
*Attorney, Agent, or Firm*—Alix, Yale & Ristas, LLP

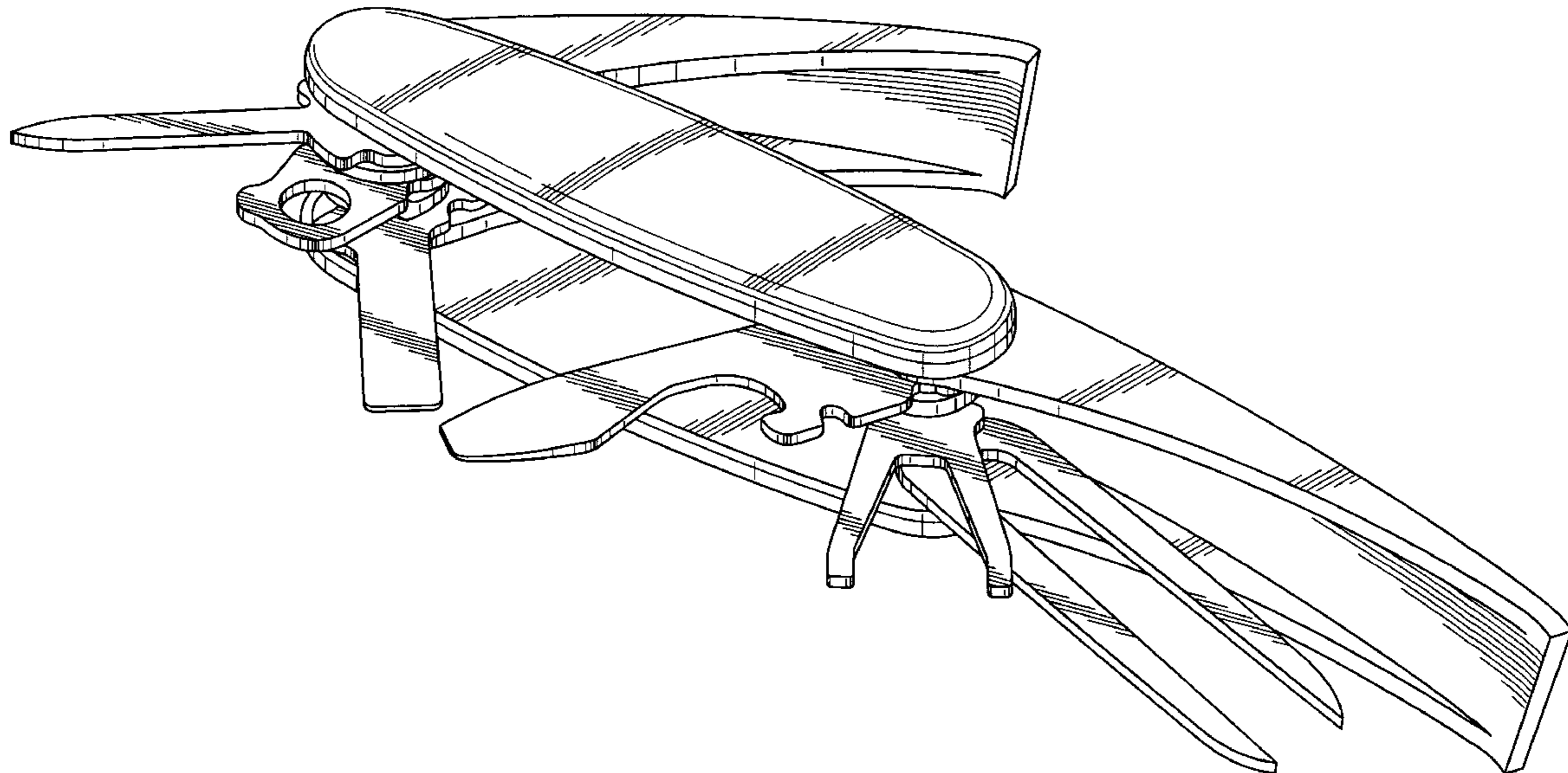
[57] **CLAIM**

The ornamental design for a compact tool, as shown and described.

**DESCRIPTION**

FIG. 1 is a front perspective view of the compact tool showing our new design;  
FIG. 2 is a front perspective view of the compact tool of FIG. 1 with parts thereof being positioned in an alternative position;  
FIG. 3 is a front view of the compact tool of FIG. 1;  
FIG. 4 is a top plan view of the compact tool of FIG. 1;  
FIG. 5 is a bottom plan view of the compact tool of FIG. 1;  
FIG. 6 is a rear view of the compact tool of FIG. 1;  
FIG. 7 is a left side view of the compact tool of FIG. 1; and,  
FIG. 8 is a right side view of the compact tool of FIG. 1.

**1 Claim, 3 Drawing Sheets**



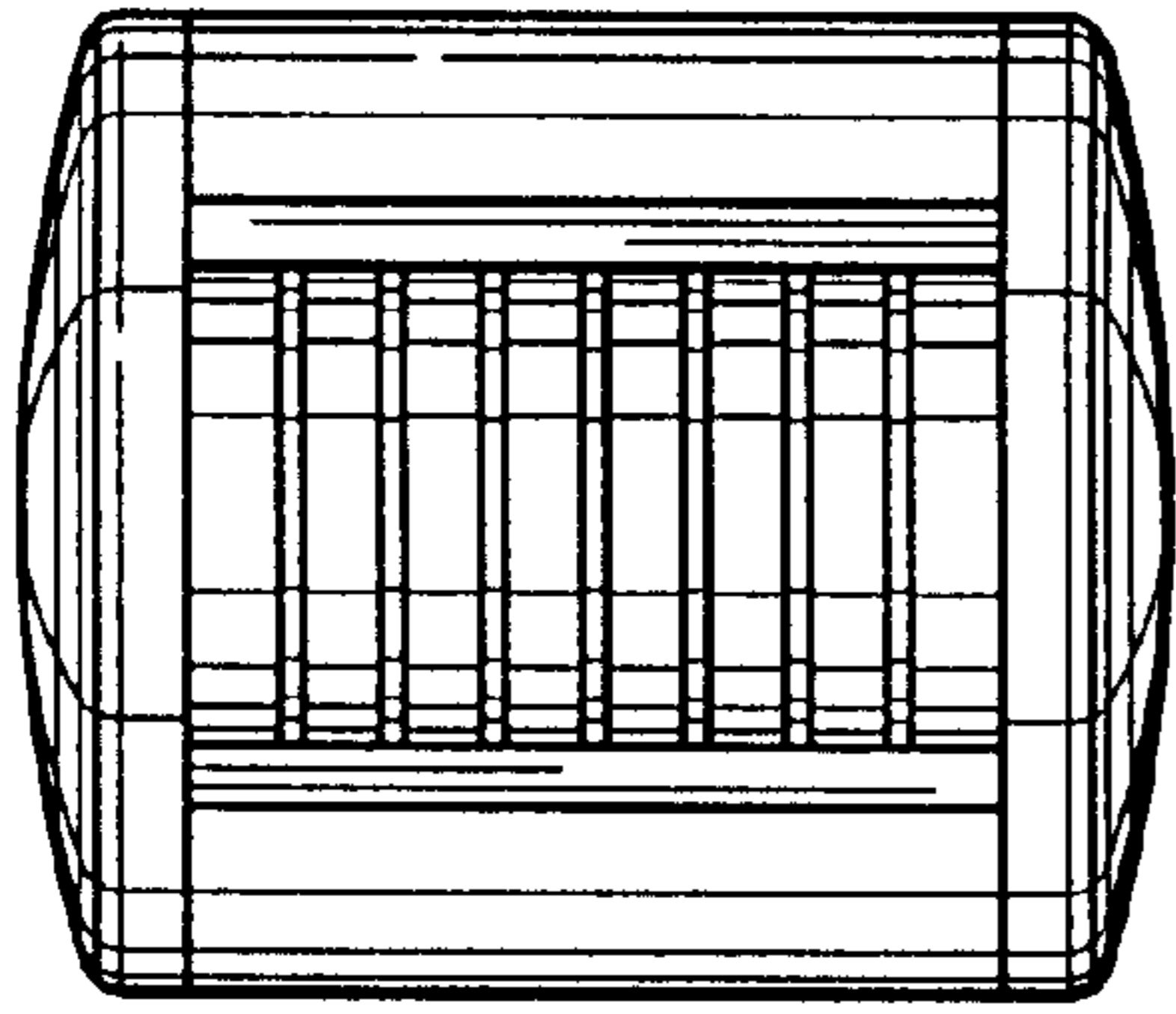


FIG. 7

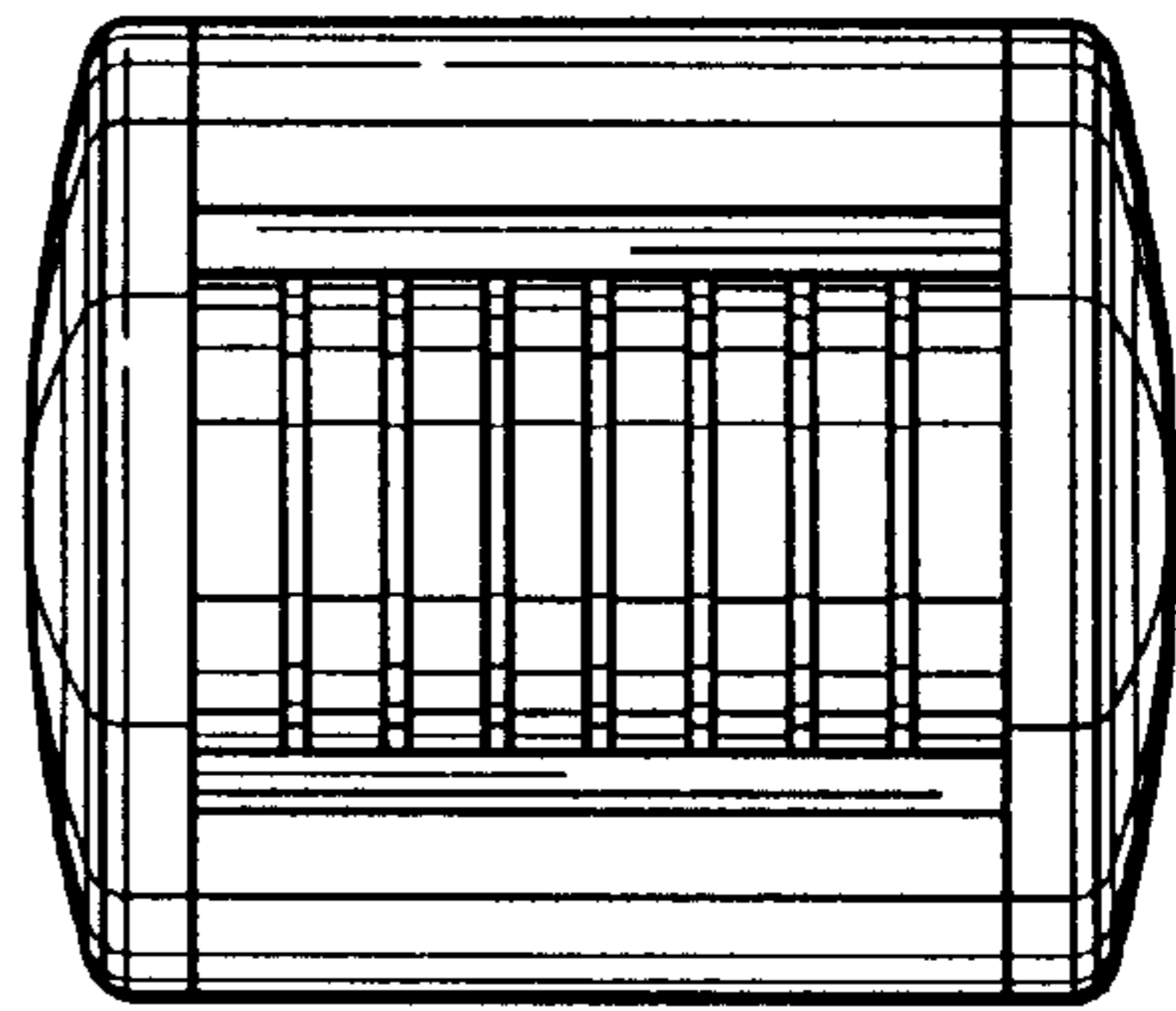


FIG. 8

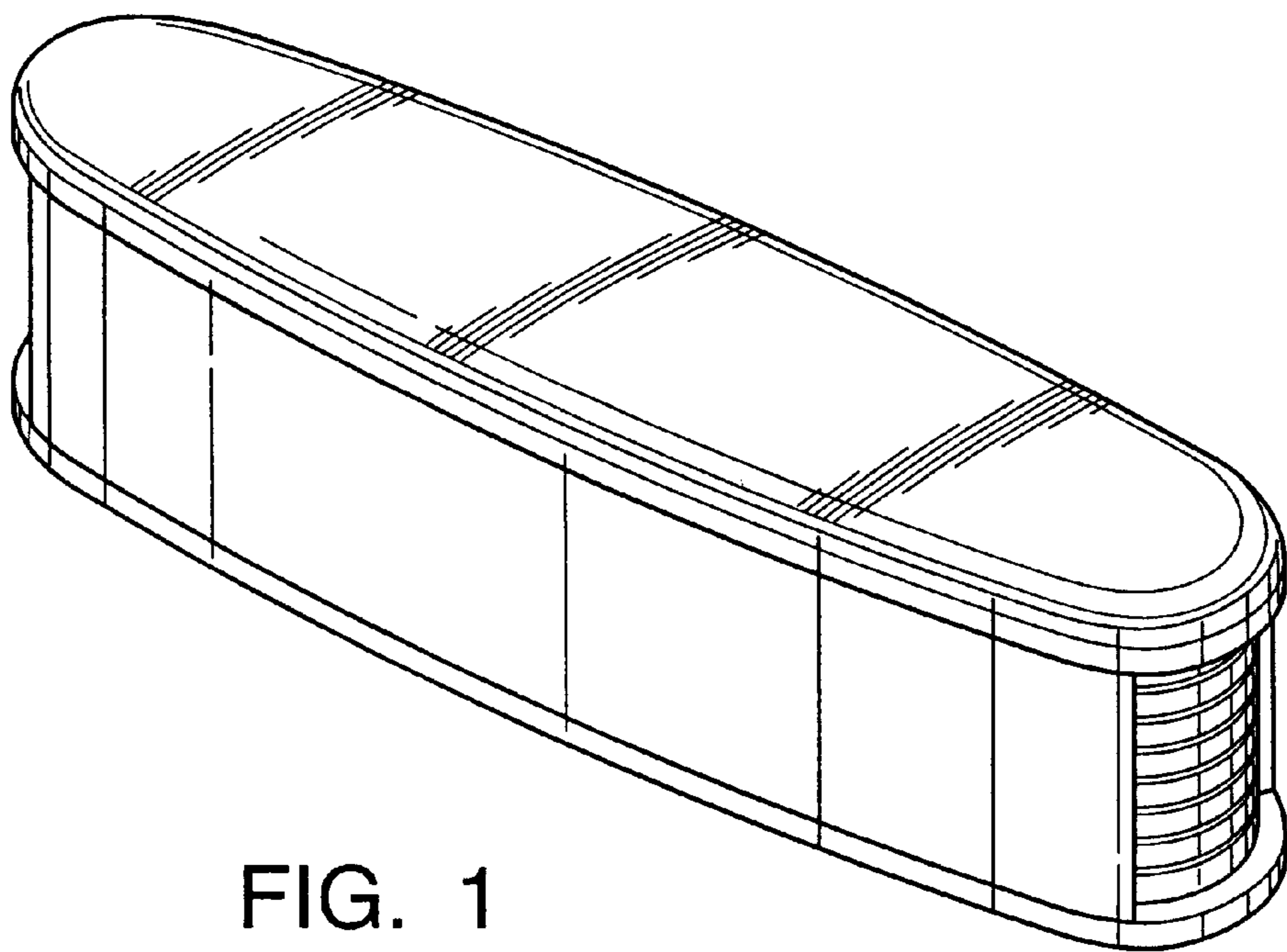


FIG. 1

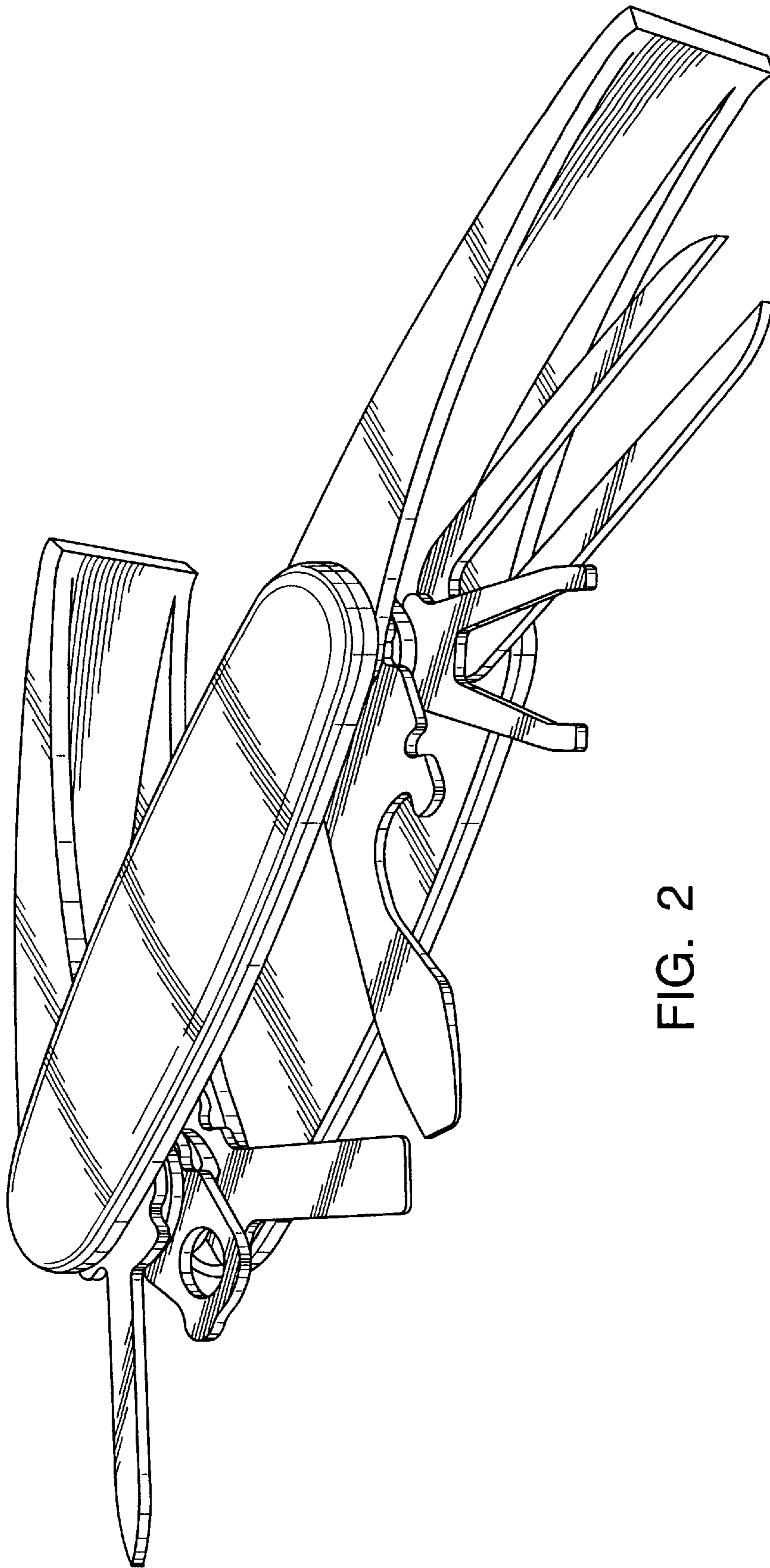


FIG. 2

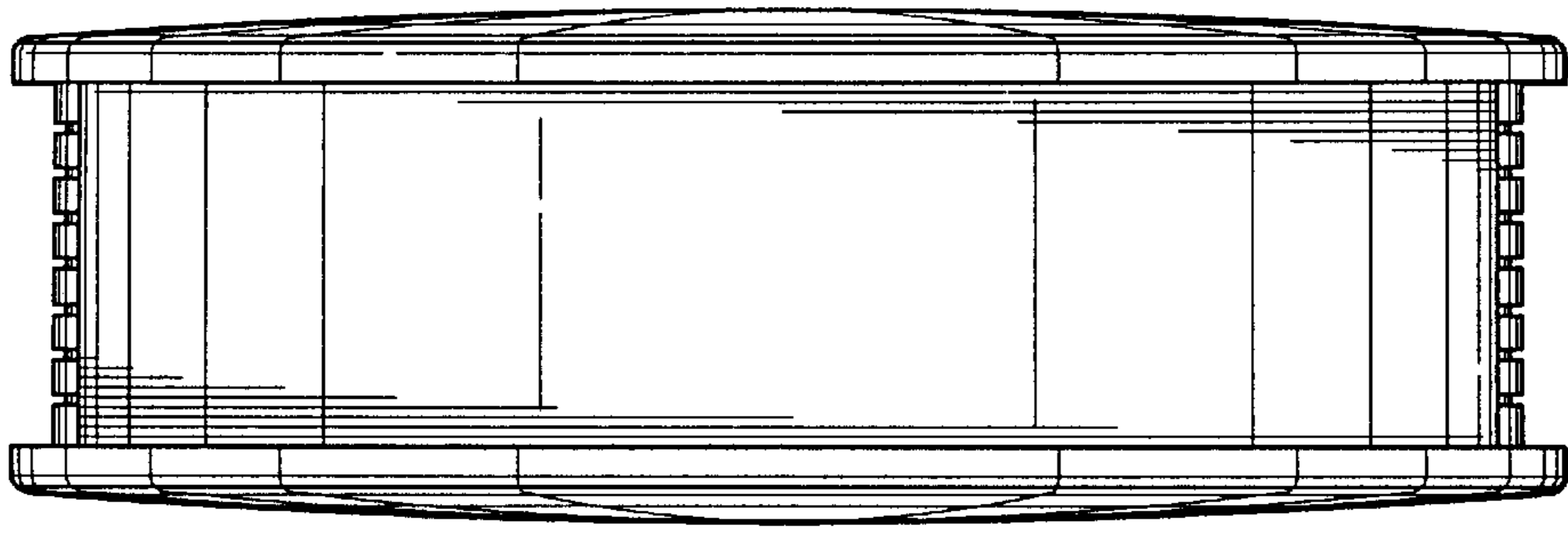


FIG. 4

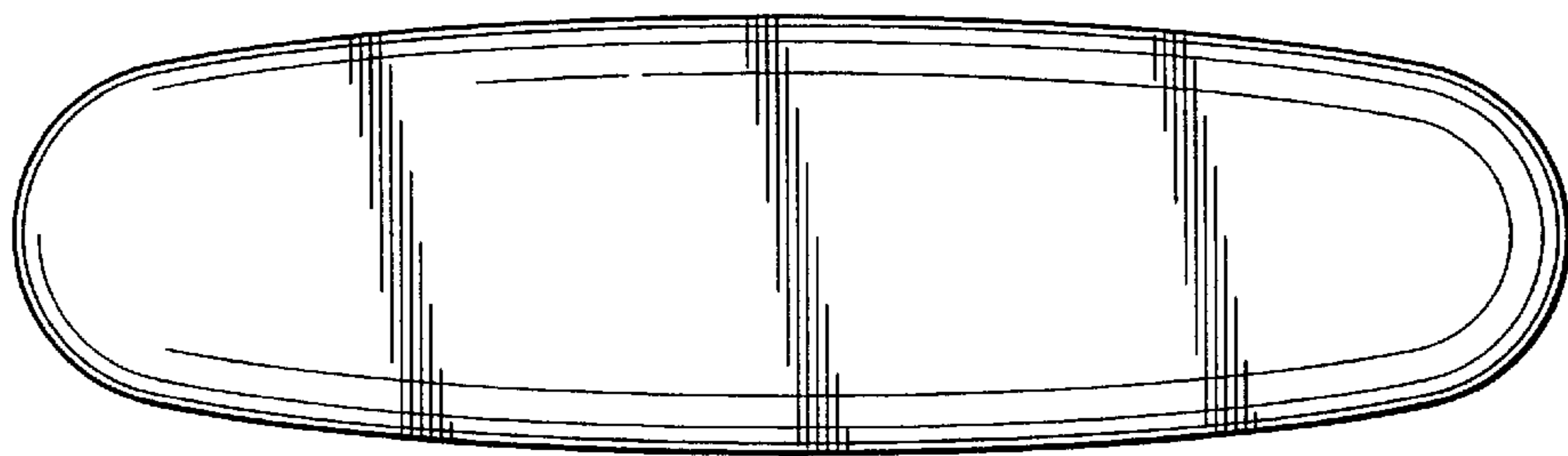


FIG. 3

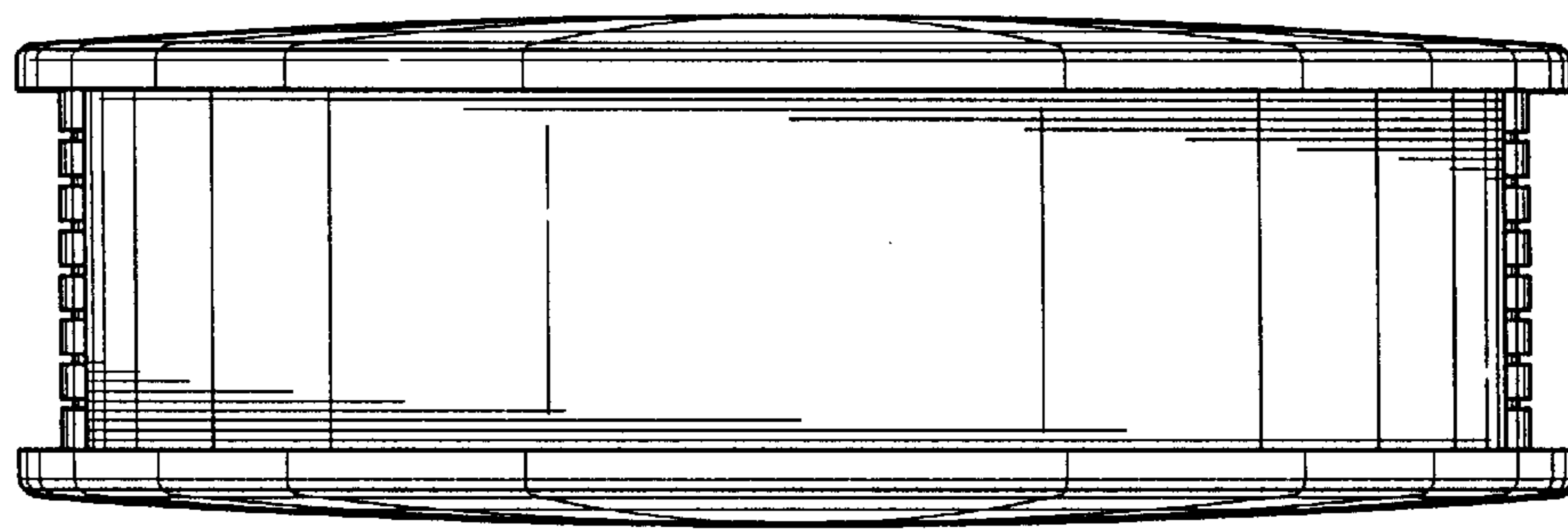


FIG. 5

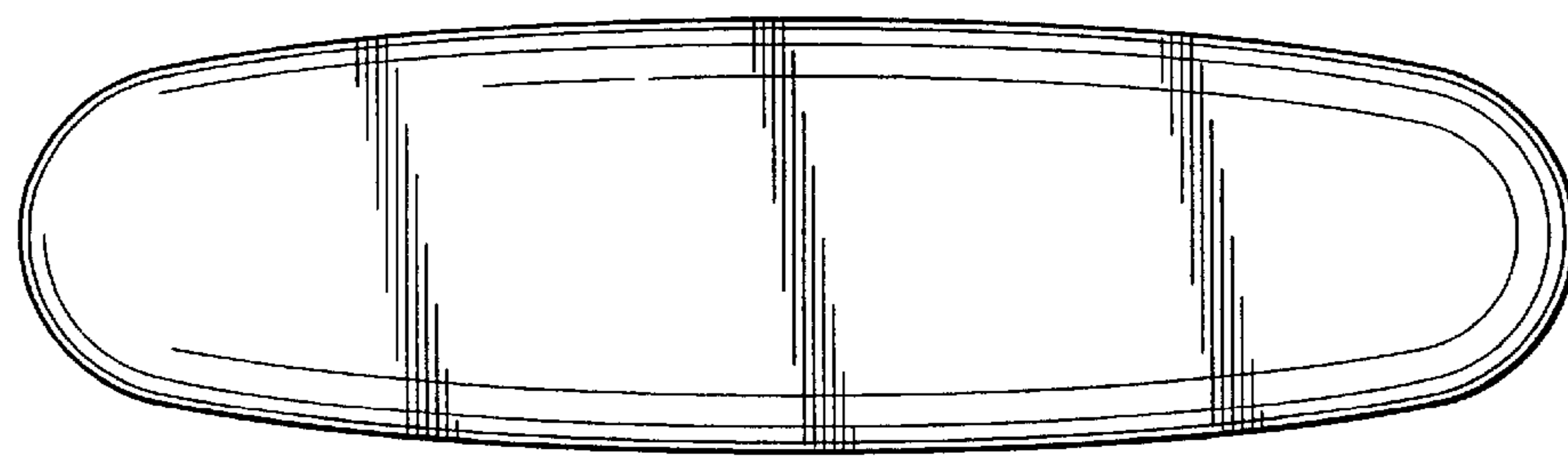


FIG. 6