



US00D429980S

United States Patent [19] Warrick

[11] Patent Number: Des. 429,980

[45] Date of Patent: ** Aug. 29, 2000

[54] JAR OPENER

[76] Inventor: Nancy Warrick, 1802 Spring Garden Ave., Pittsburgh, Pa. 15212

[**] Term: 14 Years

[21] Appl. No.: 29/109,288

[22] Filed: Aug. 12, 1999

[51] LOC (7) Cl. 07-99

[52] U.S. Cl. D8/36

[58] Field of Search D8/33-43, 18, D8/19; 30/400-443; 81/3.07-3.49; 7/151-156

[56] **References Cited**

U.S. PATENT DOCUMENTS

D. 154,107	6/1949	Donnelly	D8/33
D. 180,241	5/1957	Meador	D8/36
D. 388,674	1/1998	McCloskey et al.	D8/36
677,733	7/1901	Bray	81/3.32
3,158,879	12/1964	Barrett	81/3.32
3,477,263	11/1969	Jepson et al.	72/71
3,812,742	5/1974	Polasek	81/3.32
3,950,801	4/1976	Morrison	7/152
4,171,650	10/1979	Cardinal	81/3.2
5,003,844	4/1991	Barrow	81/3.2
5,167,172	12/1992	Heebner	81/3.2

5,203,236	4/1993	Anderson	81/3.2
5,345,844	9/1994	Marsaw	81/3.2
5,370,019	12/1994	Sartell et al.	81/3.32
5,996,441	12/1999	Bateman	81/3.2

Primary Examiner—Jeffrey Asch

[57] **CLAIM**

The ornamental design for a jar opener, as shown and described.

DESCRIPTION

FIG. 1 is a left side elevational view of the jar opener of the present invention;
 FIG. 2 is a right side elevational view of the jar opener of FIG. 1;
 FIG. 3 is a front elevational view of the jar opener of FIG. 1;
 FIG. 4 is a back elevational view of the jar opener of FIG. 1;
 FIG. 5 is a top plan view of the jar opener of the FIG. 1; and,
 FIG. 6 is a bottom plan view of the jar opener of FIG. 1.
 The portions of the article not shown in the drawing nor described in the specification form no part of the claimed design.
 The electrical cord has been shown broken away in FIGS. 1-2 and 5-6 to indicate indeterminate length.

1 Claim, 3 Drawing Sheets

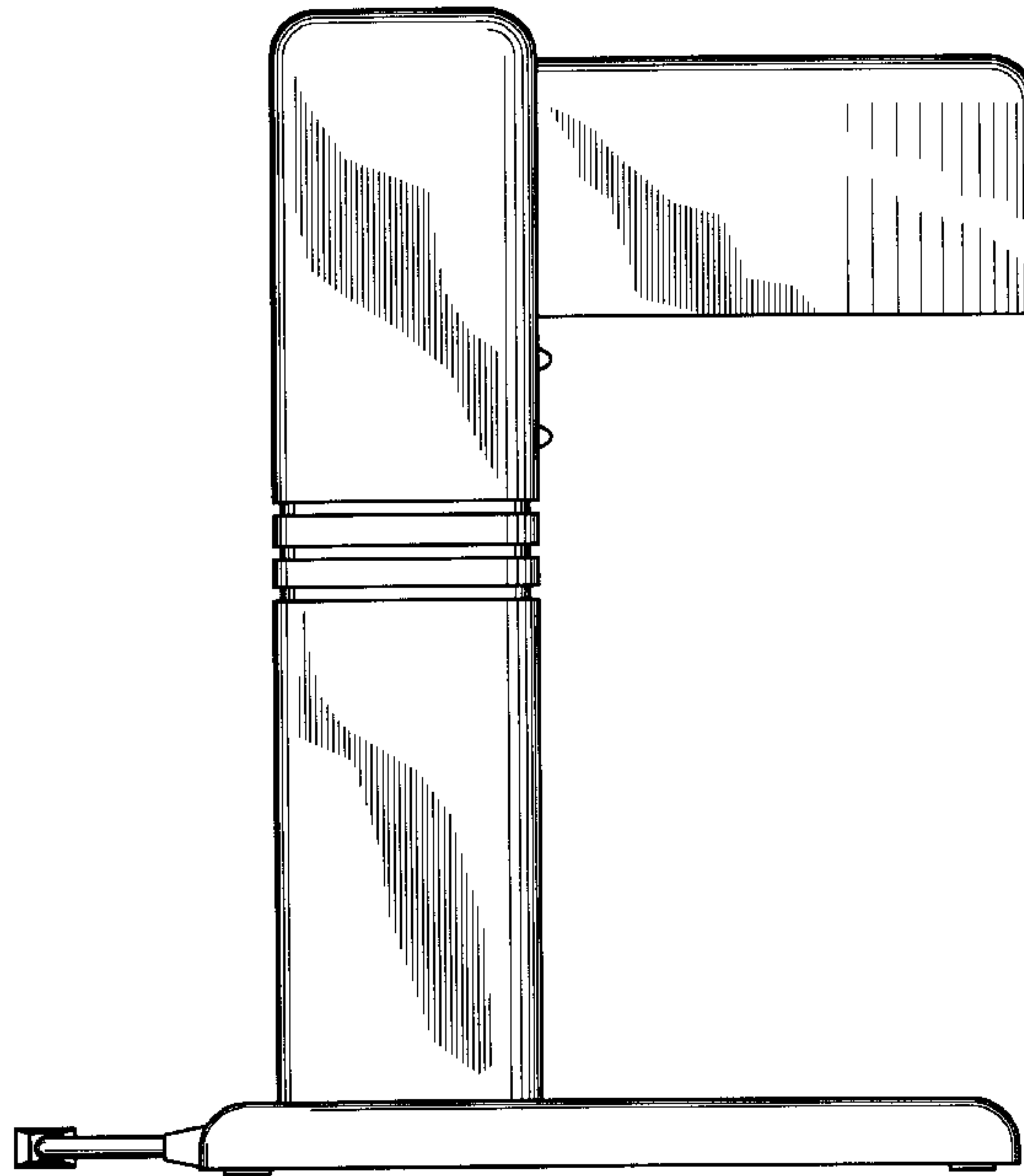
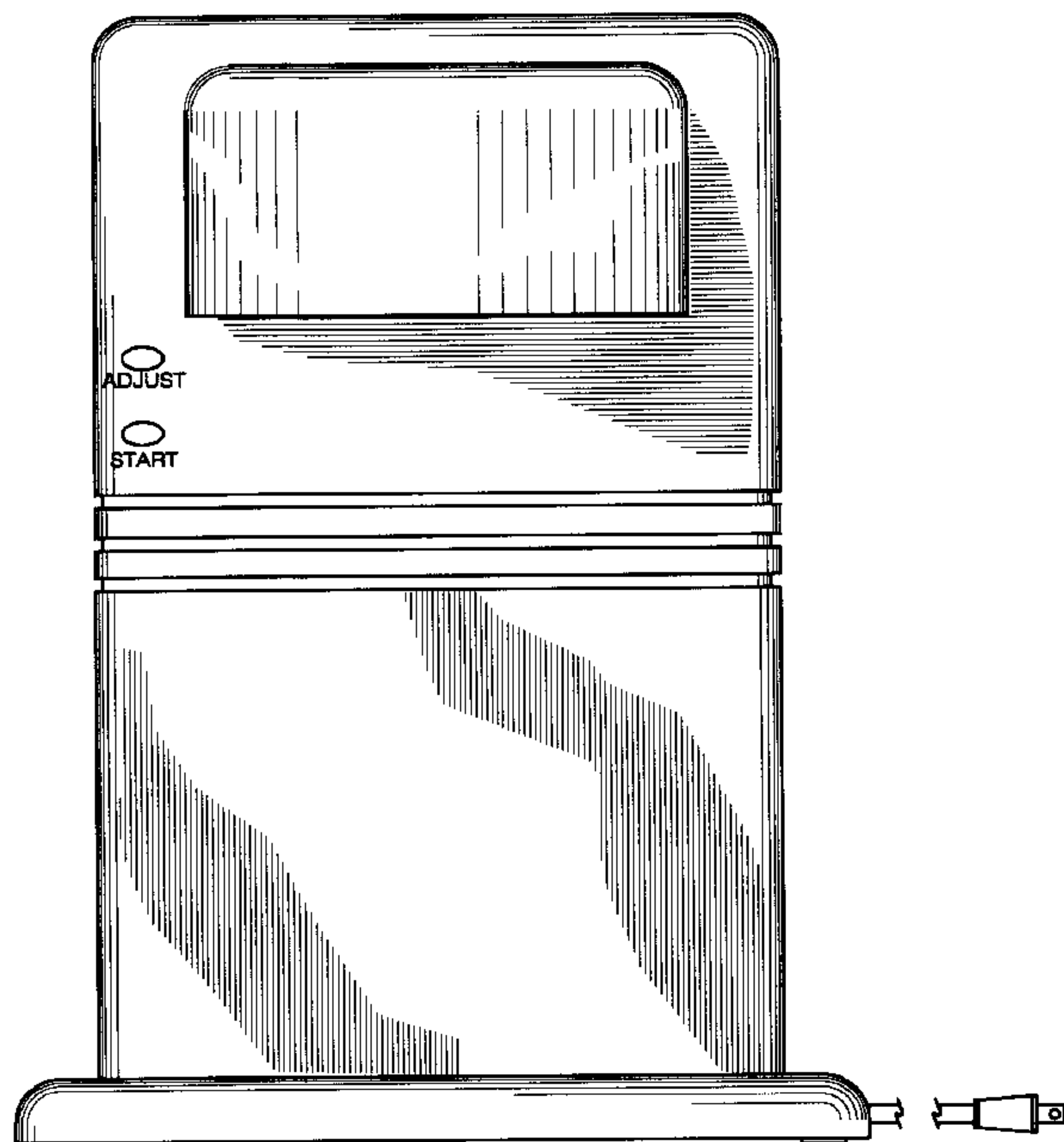


FIG. 2

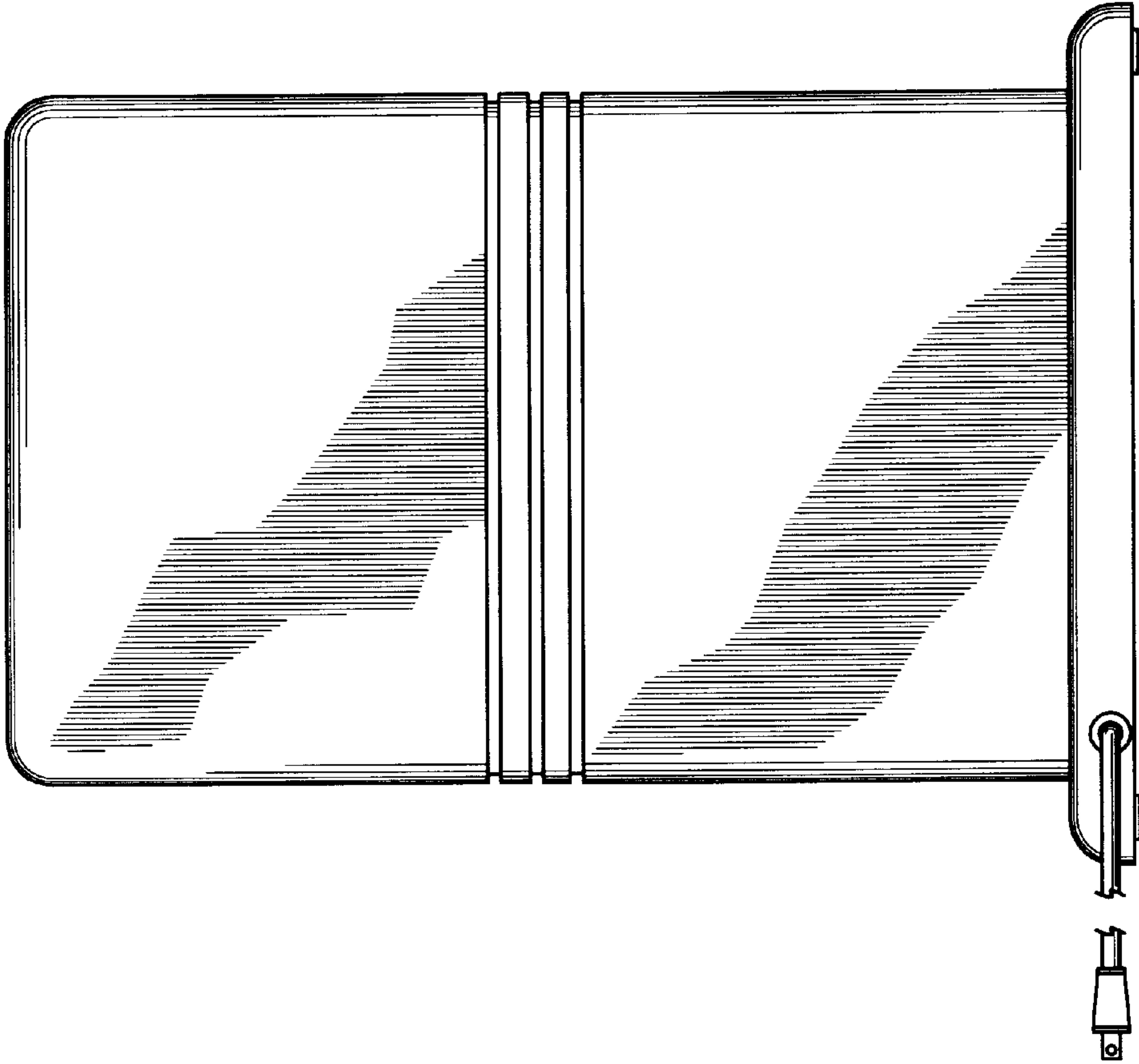
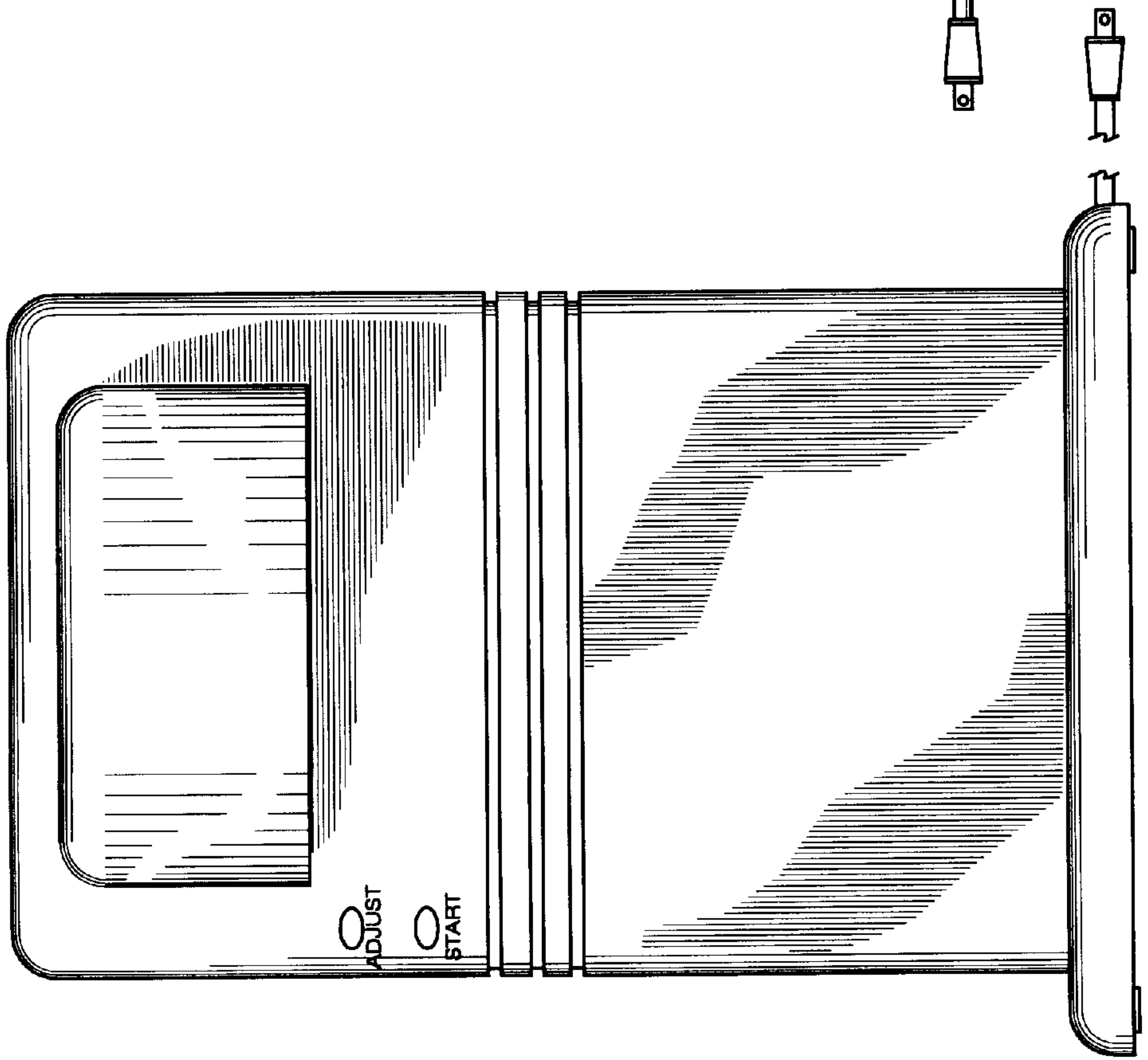


FIG. 1



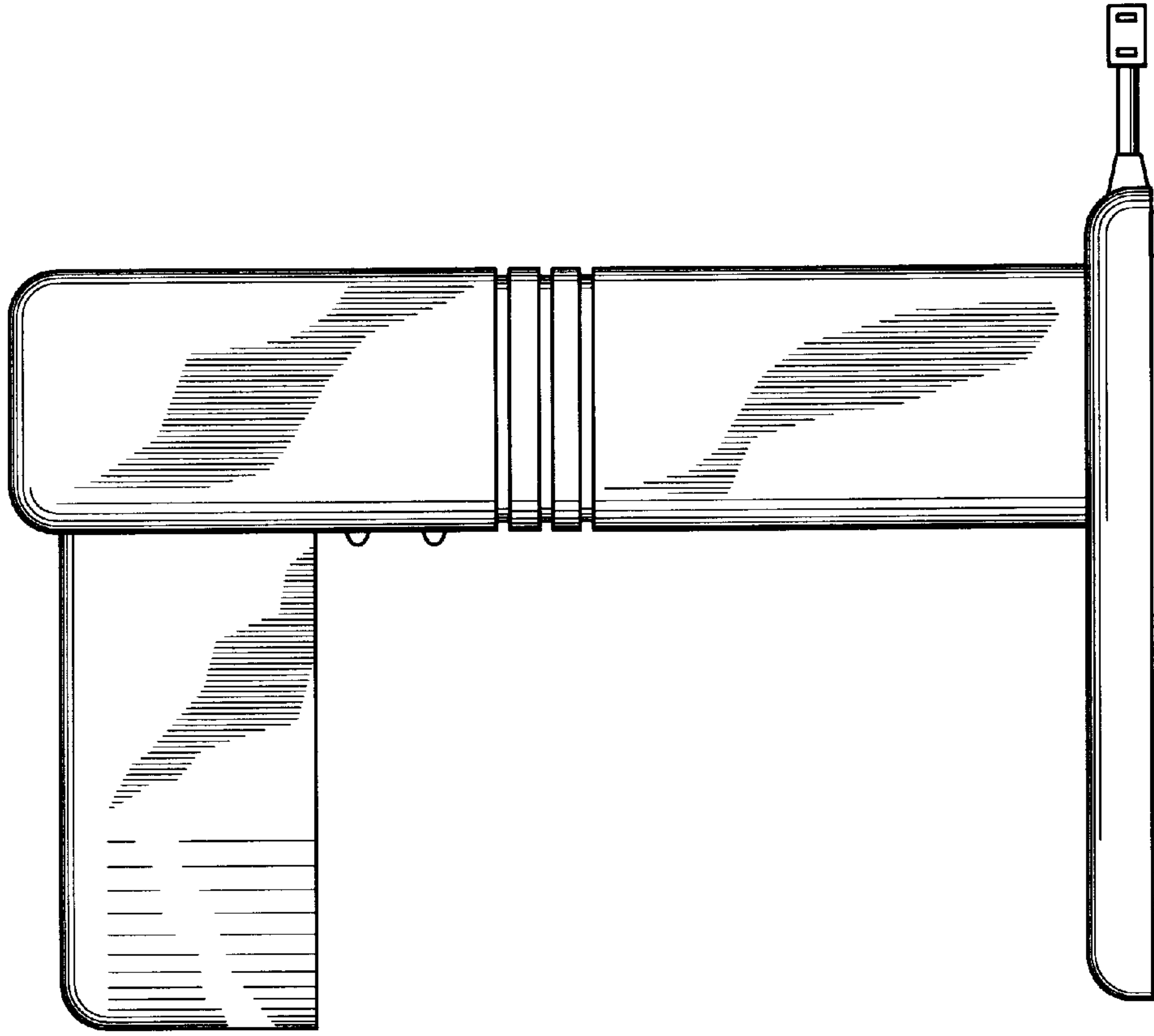


FIG. 4

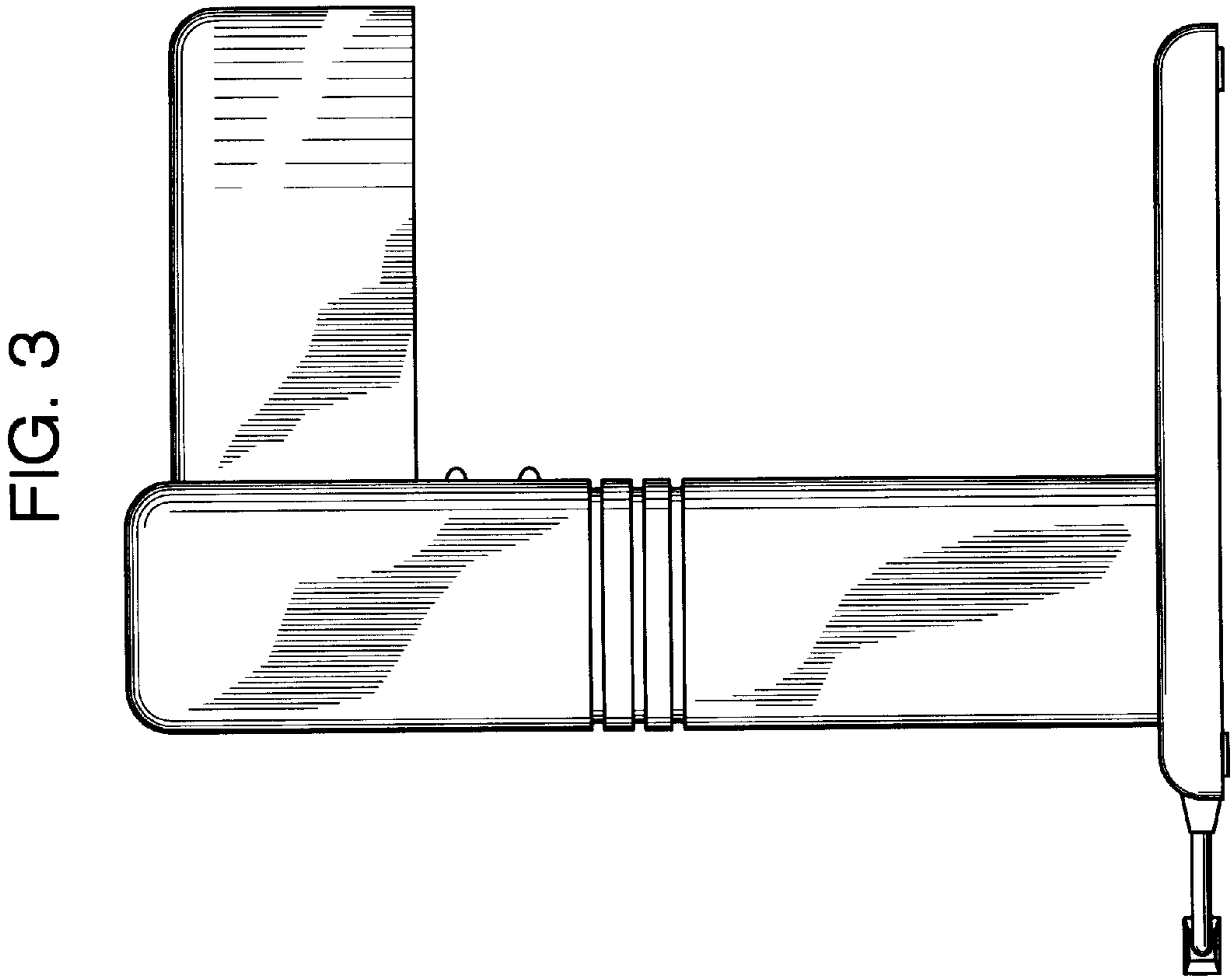


FIG. 3

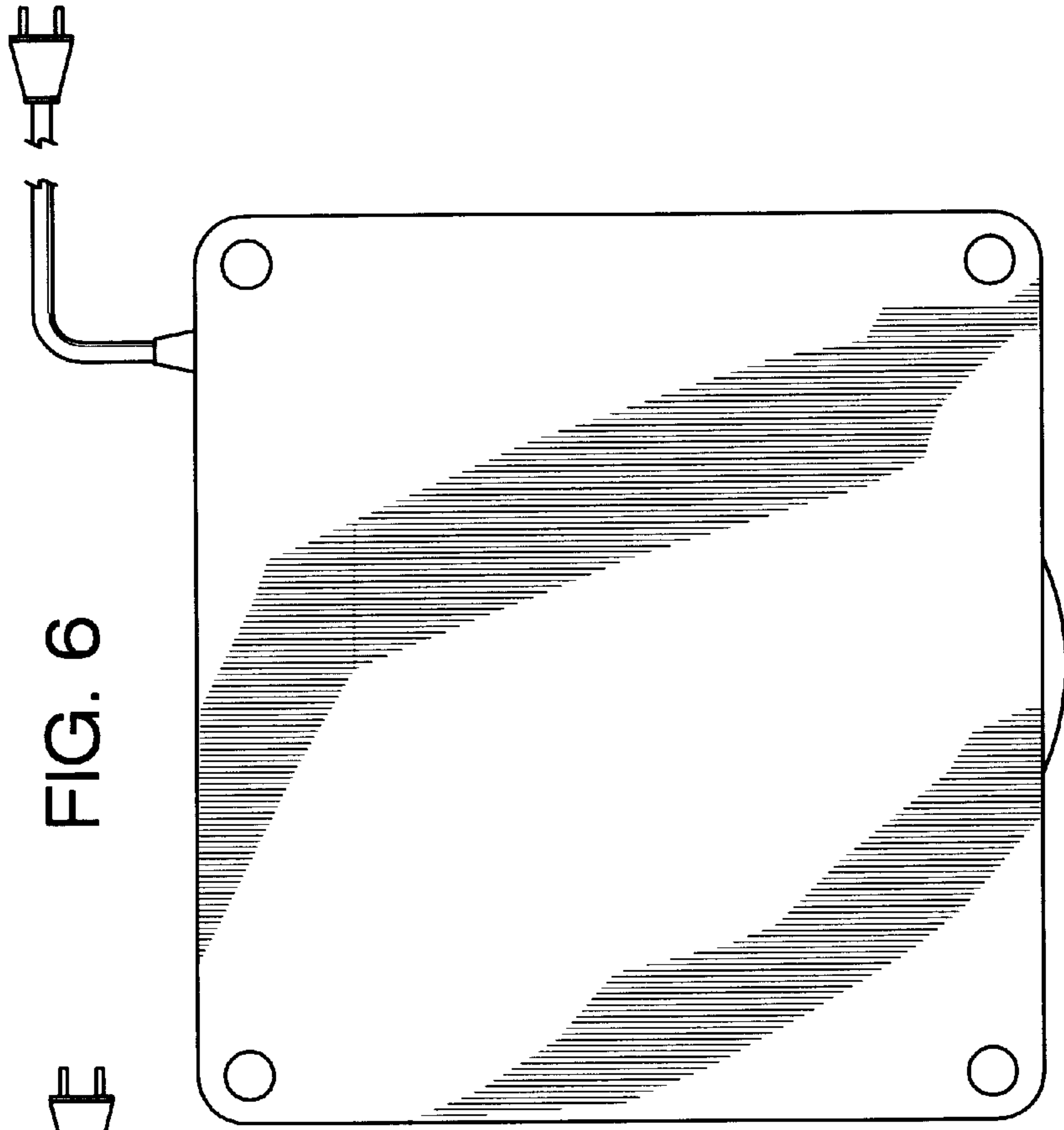


FIG. 6

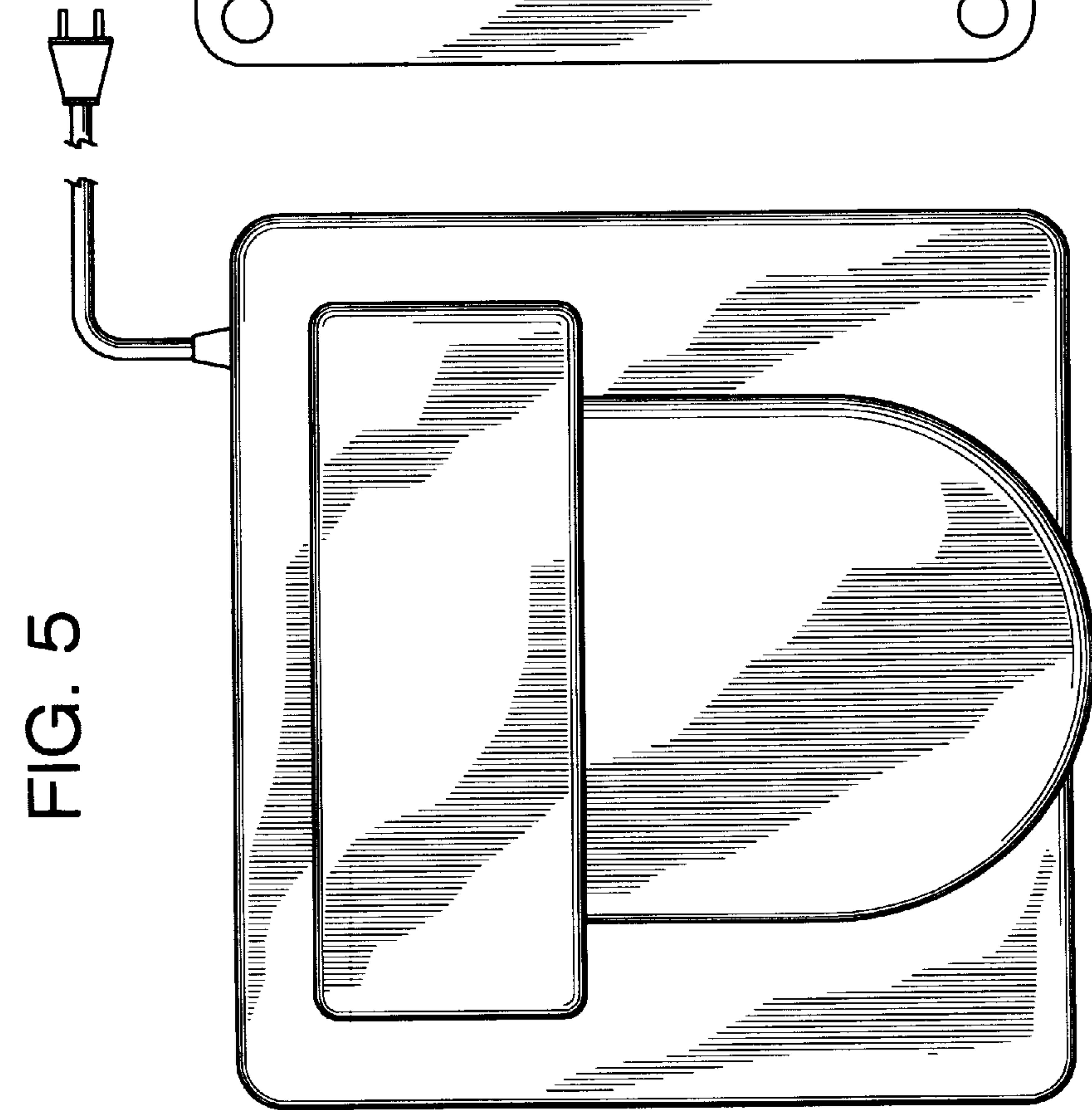


FIG. 5