



US00D429979S

United States Patent [19] Chiang

[11] Patent Number: **Des. 429,979**

[45] Date of Patent: **** Aug. 29, 2000**

[54] **RATCHET WRENCH**

D. 418,385 1/2000 Tseng et al. D8/107
6,003,413 12/1999 Macor 81/60

[76] Inventor: **William Chiang**, No. 10, Ho Chaingang
St., Cshi Tun District, Taichung, Taiwan

Primary Examiner—Richelle Shelton

[**] Term: **14 Years**

[57] **CLAIM**

The ornamental design for a ratchet wrench, as shown and described.

[21] Appl. No.: **29/112,606**

[22] Filed: **Oct. 21, 1999**

DESCRIPTION

[51] **LOC (7) Cl.** **08-05**

FIG. 1 is right side elevational view of a ratchet wrench showing my new design;

[52] **U.S. Cl.** **D8/25**

FIG. 2 is a left side elevational view thereof;

[58] **Field of Search** D8/21-29, 107;
81/60-63, 63.1, 63.2, 177.1

FIG. 3 is a front elevational view thereof;

FIG. 4 is a rear elevational view thereof;

FIG. 5 is a top plan view thereof;

FIG. 6 is a bottom plan view thereof; and,

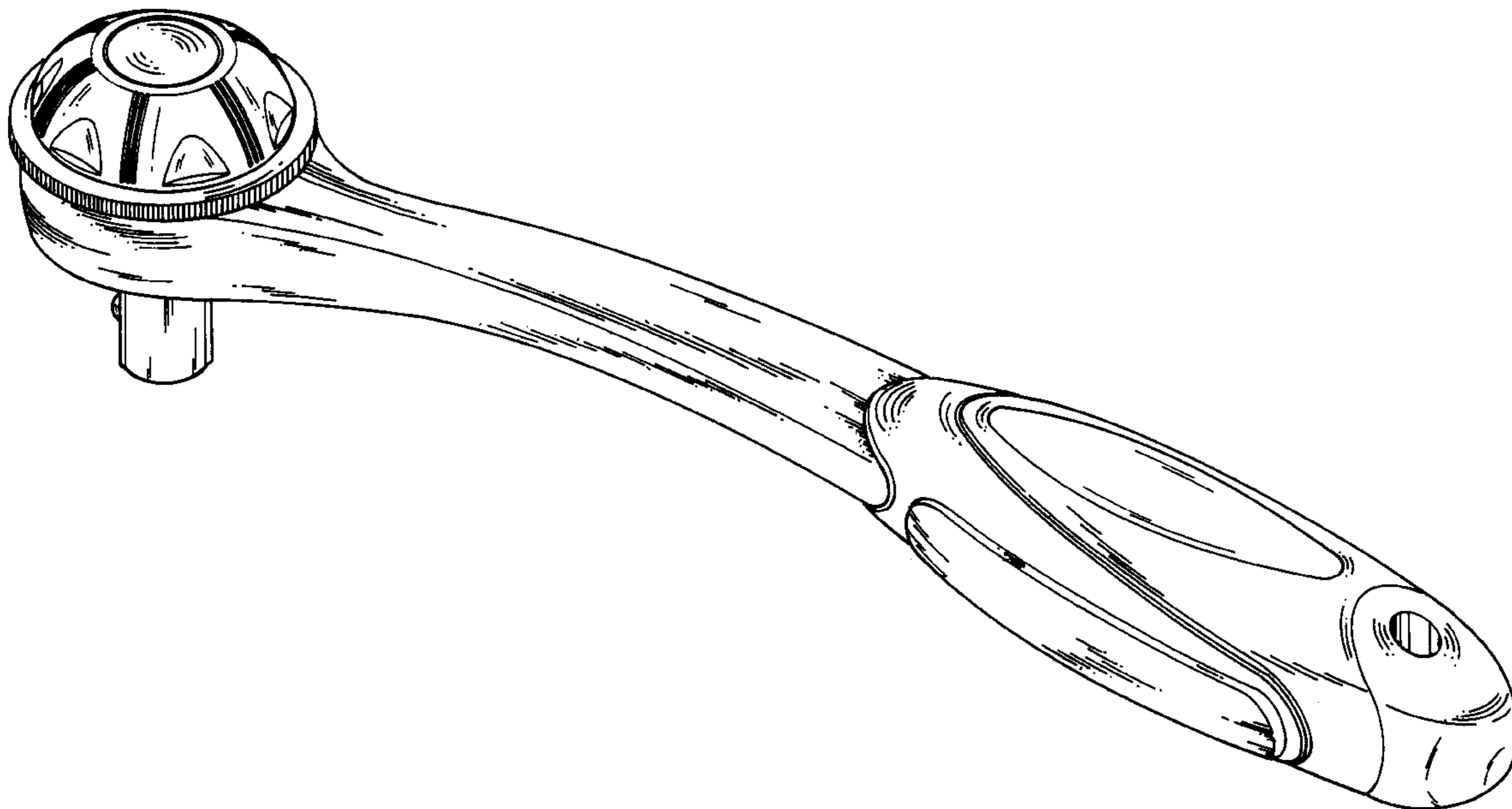
FIG. 7 is a perspective view thereof.

[56] **References Cited**

U.S. PATENT DOCUMENTS

D. 182,318 3/1958 Wright et al. D8/25
D. 399,722 10/1998 Eldsmoe et al. D8/107

1 Claim, 4 Drawing Sheets



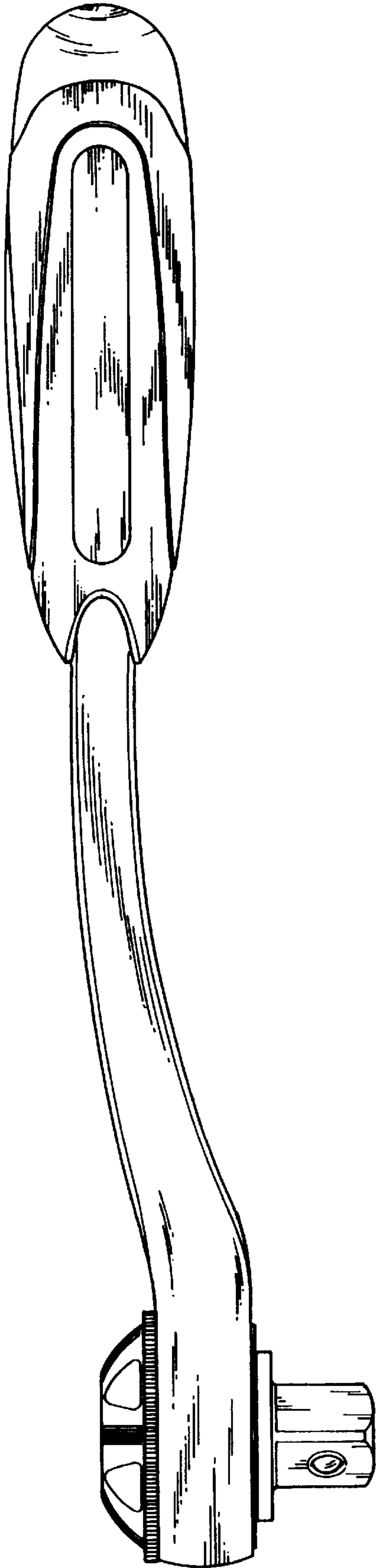


FIG. 1

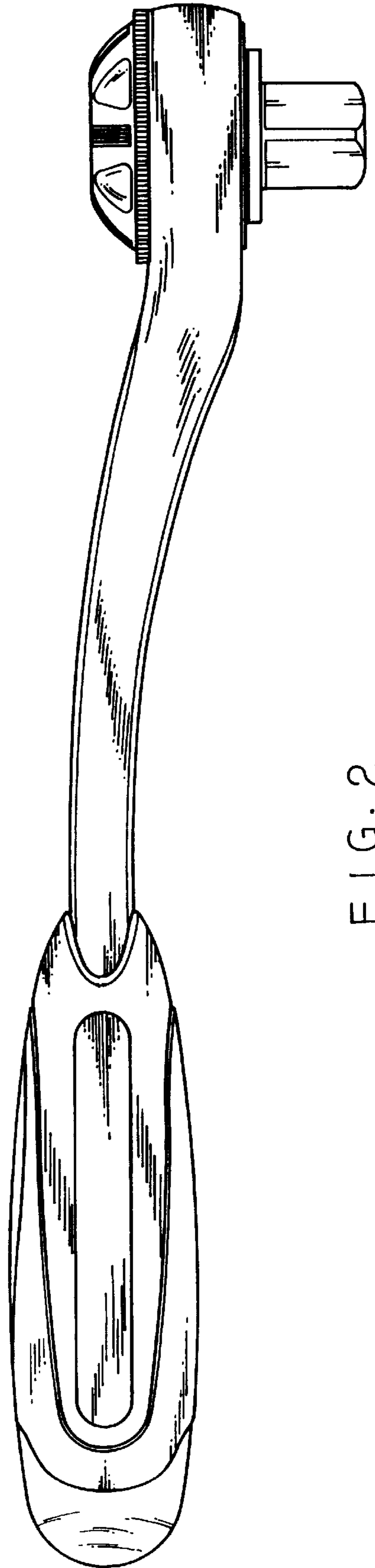


FIG. 2

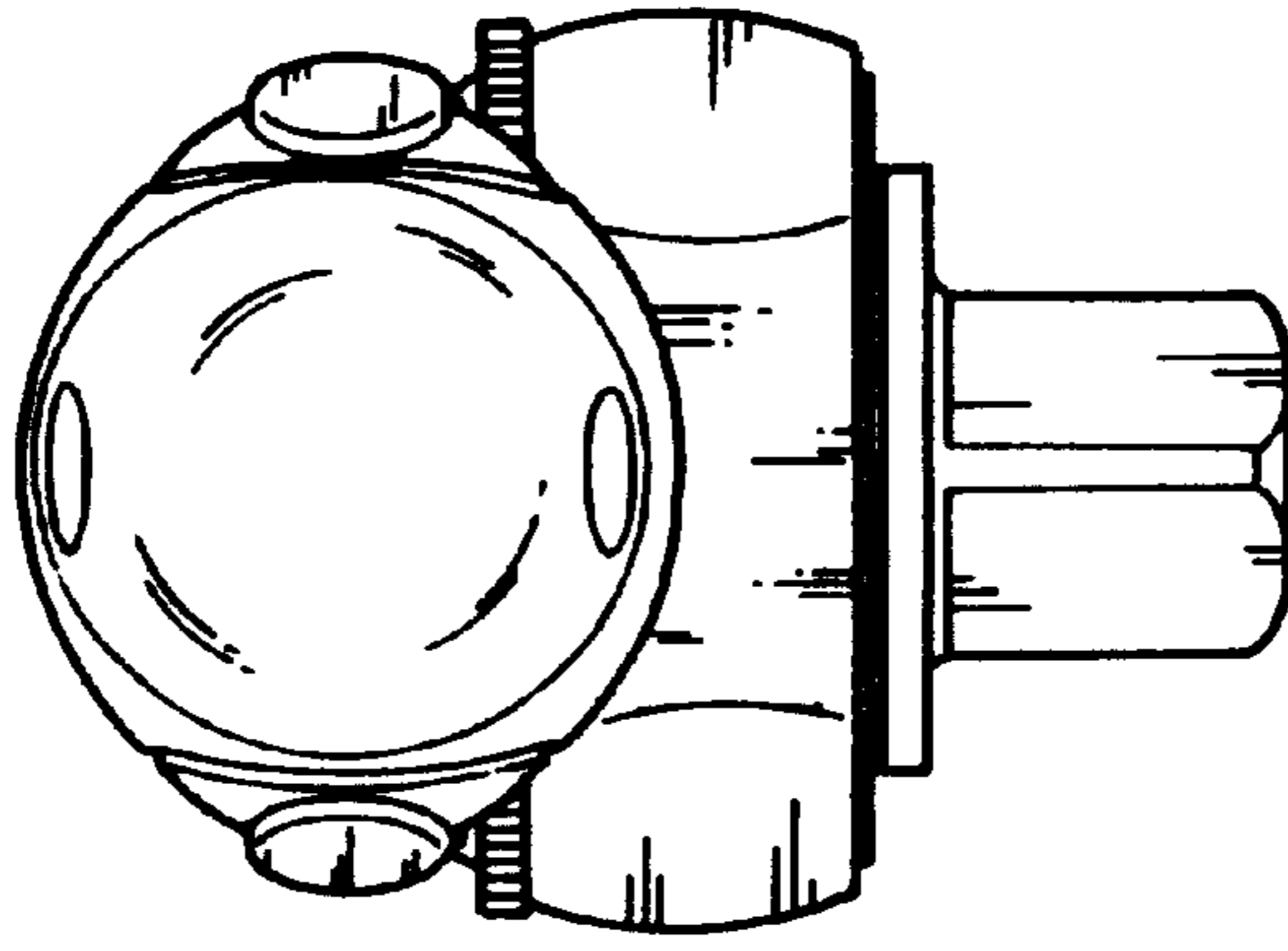


FIG. 3

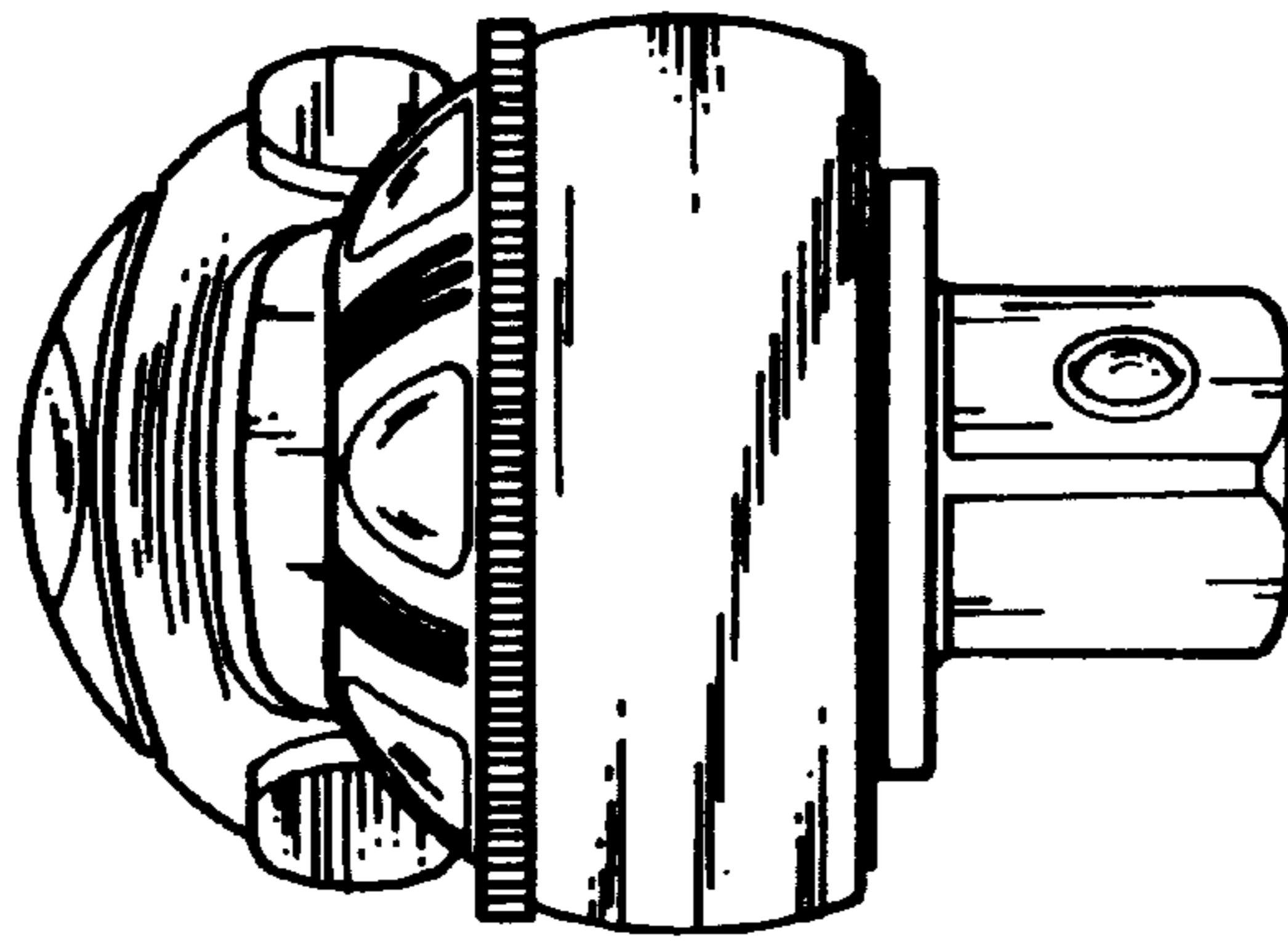


FIG. 4

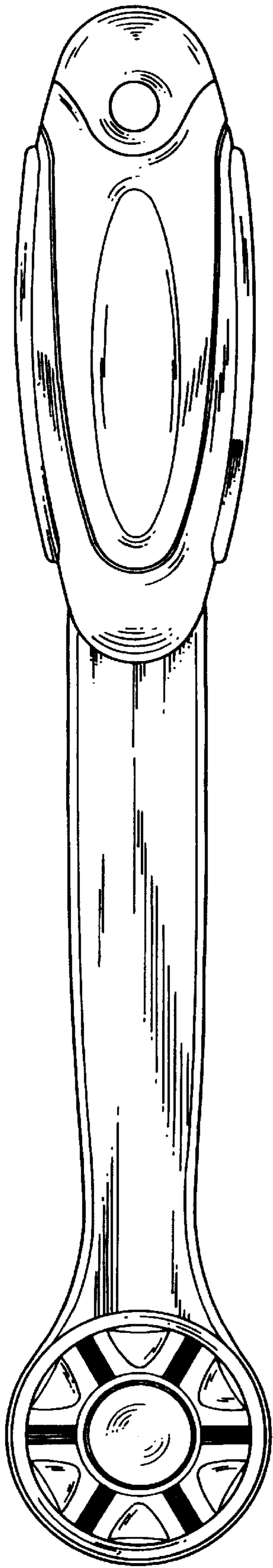


FIG. 5

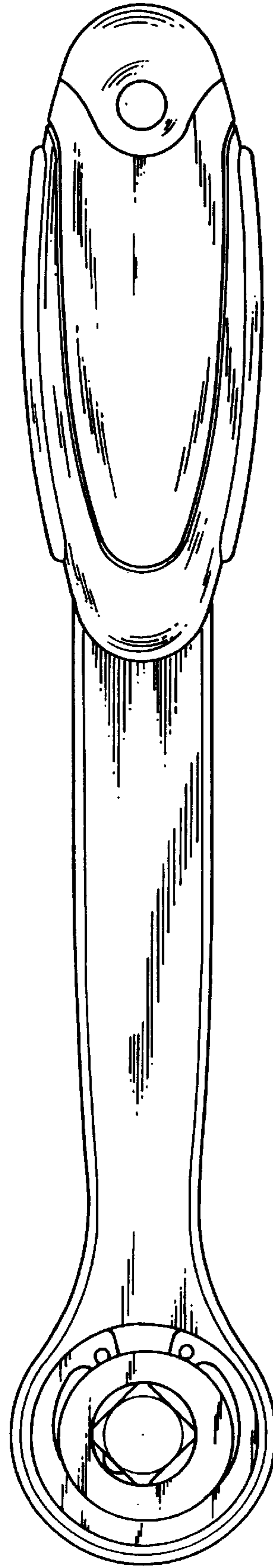


FIG. 6

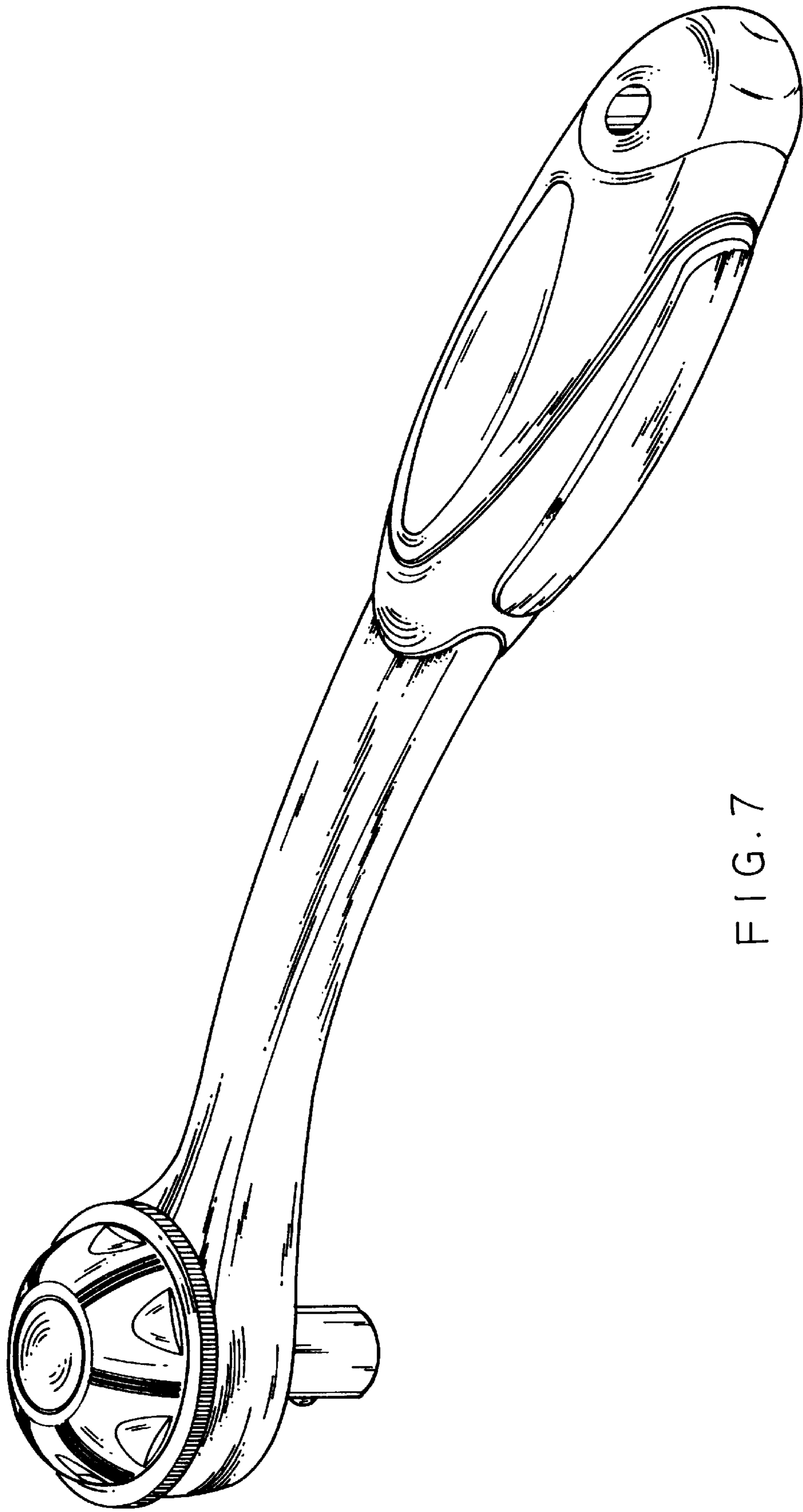


FIG. 7