



US00D429974S

United States Patent [19]

Hurttä et al.

[11] Patent Number: Des. 429,974

[45] Date of Patent: ** Aug. 29, 2000

[54] SHELLFISH UTENSIL

[75] Inventors: **Matti Hurttä**, Hyvinkää, Finland; **Timo Seivo**, Kangastie 56-58, FIN-18300 Heinola, Finland

[73] Assignees: **Maserholz Scandinavien Oy**, Hämeenlinna, Finland; **Timo Seivo**, Heinola, Finland

[**] Term: 14 Years

[21] Appl. No.: 29/100,502

[22] Filed: Feb. 11, 1999

[30] Foreign Application Priority Data

Aug. 11, 1998 [FI] Finland MI9980528

[51] LOC (7) Cl. 07-04

[52] U.S. Cl. D7/693

[58] Field of Search D7/693, 695, 696; 30/120.1; 452/6, 102-105

[56] References Cited

U.S. PATENT DOCUMENTS

- D. 229,659 12/1973 Morgan D7/696
- D. 386,362 11/1997 LaSalle et al. D7/693
- 4,271,563 6/1981 Theuman 452/6
- 4,759,126 7/1988 McCoy et al. 452/6

Primary Examiner—Terry A. Wallace
Attorney, Agent, or Firm—Pollock, Vande Sande & Amernick

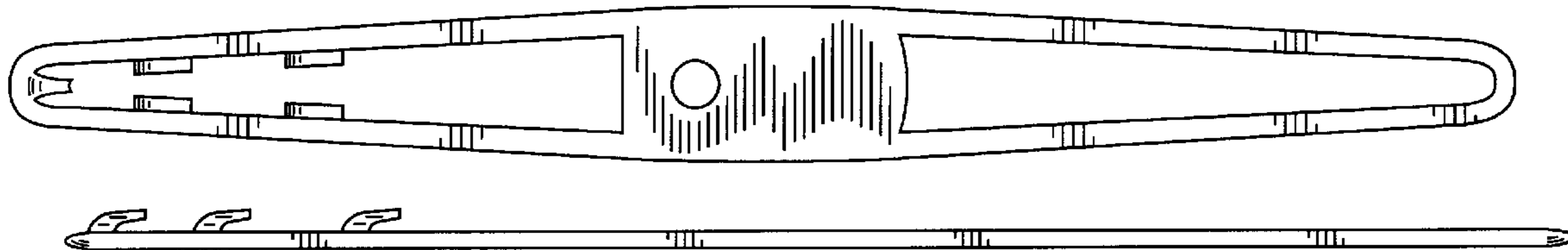
[57] CLAIM

The ornamental design for a shellfish utensil, as shown and described.

DESCRIPTION

FIG. 1 represents a top view of an embodiment of a shellfish utensil showing our new design;
 FIG. 2 represents a side view of the embodiment illustrated in FIG. 1;
 FIG. 3 represents a bottom view of the embodiment illustrated in FIGS. 1 and 2;
 FIG. 4 represents a top view of another embodiment of a shellfish utensil showing our new design;
 FIG. 5 represents a side view of the embodiment illustrated in FIG. 4;
 FIG. 6 represents a bottom view of the embodiment illustrated in FIGS. 4 and 5 ;
 FIG. 7 represents a perspective view of the embodiment illustrated in FIGS. 4-6 in a folded configuration; and,
 FIG. 8 represents a top view of the embodiment illustrated in FIGS. 4-7 in a partially unfolded configuration; and,
 FIG. 9 represents a perspective view of the embodiment illustrated in FIGS. 4-8 in a fully unfolded configuration.

1 Claim, 5 Drawing Sheets



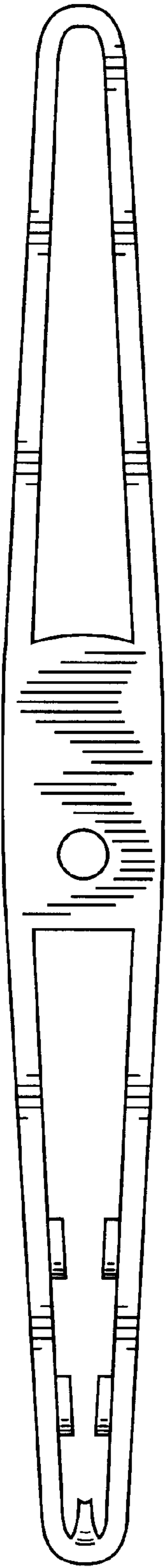


FIG. 1

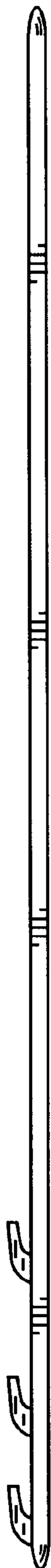


FIG. 2

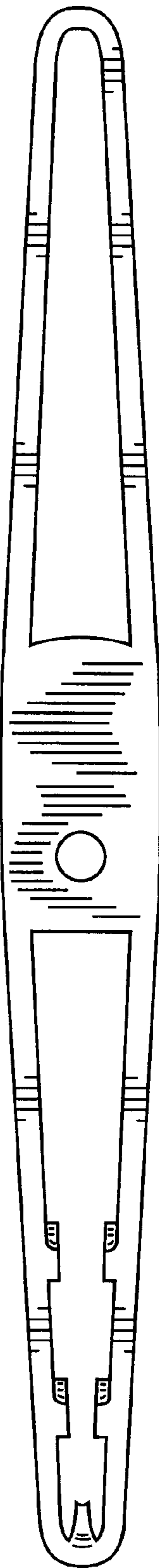


FIG. 3

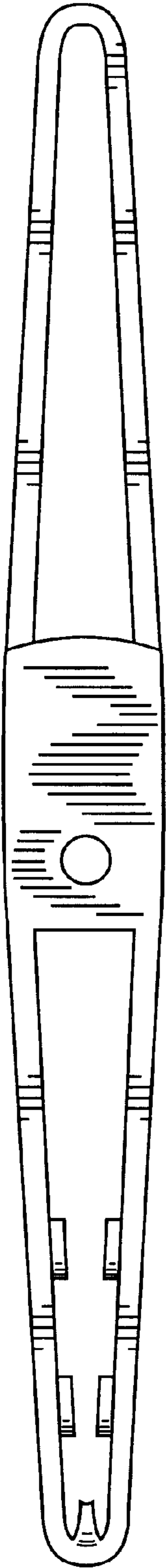


FIG. 4

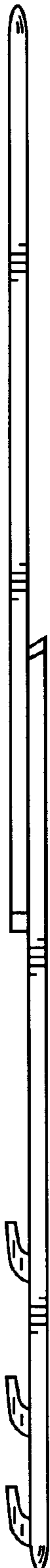


FIG. 5

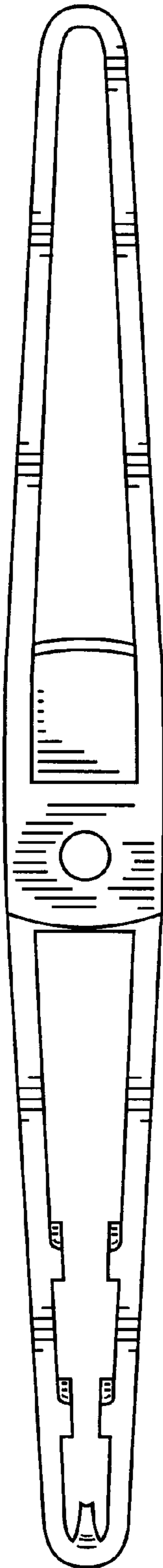


FIG. 6

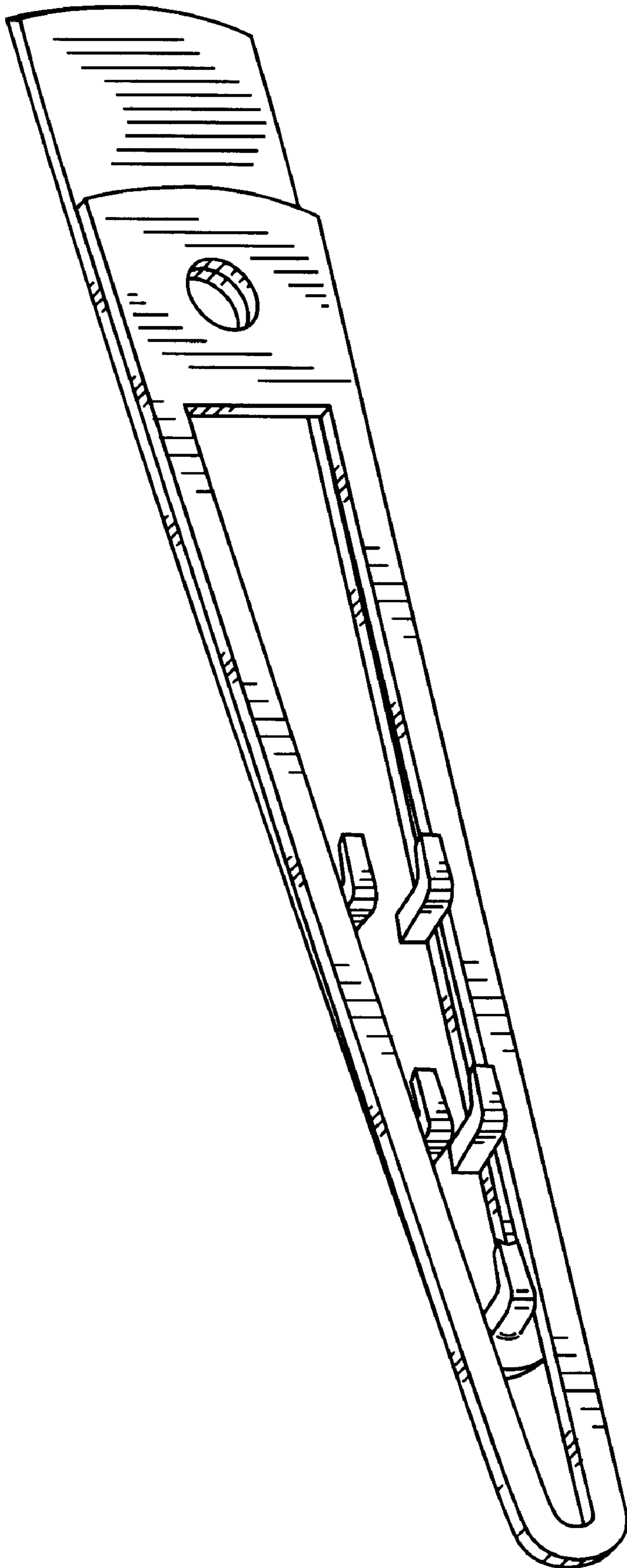


FIG. 7

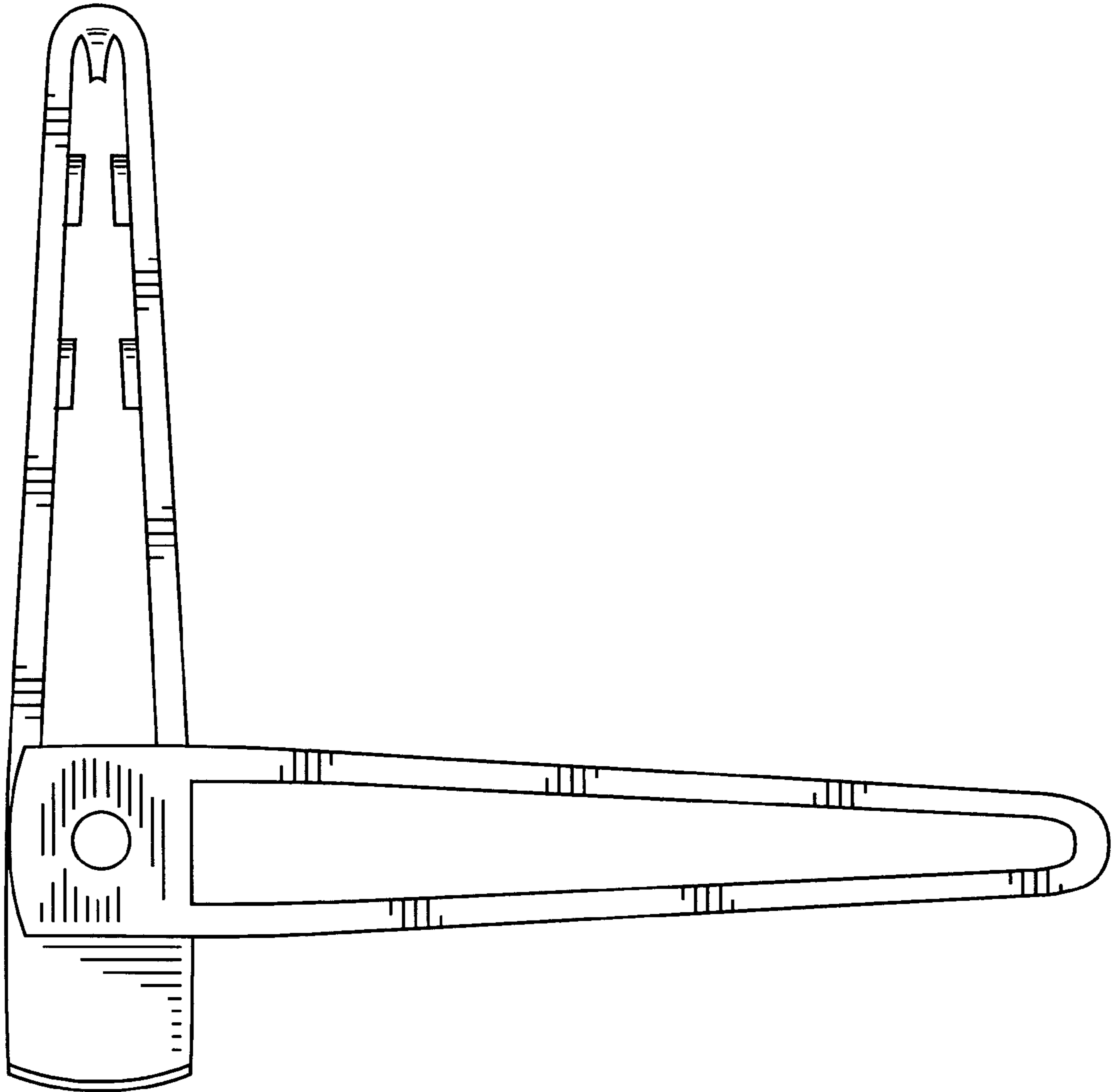


FIG. 8

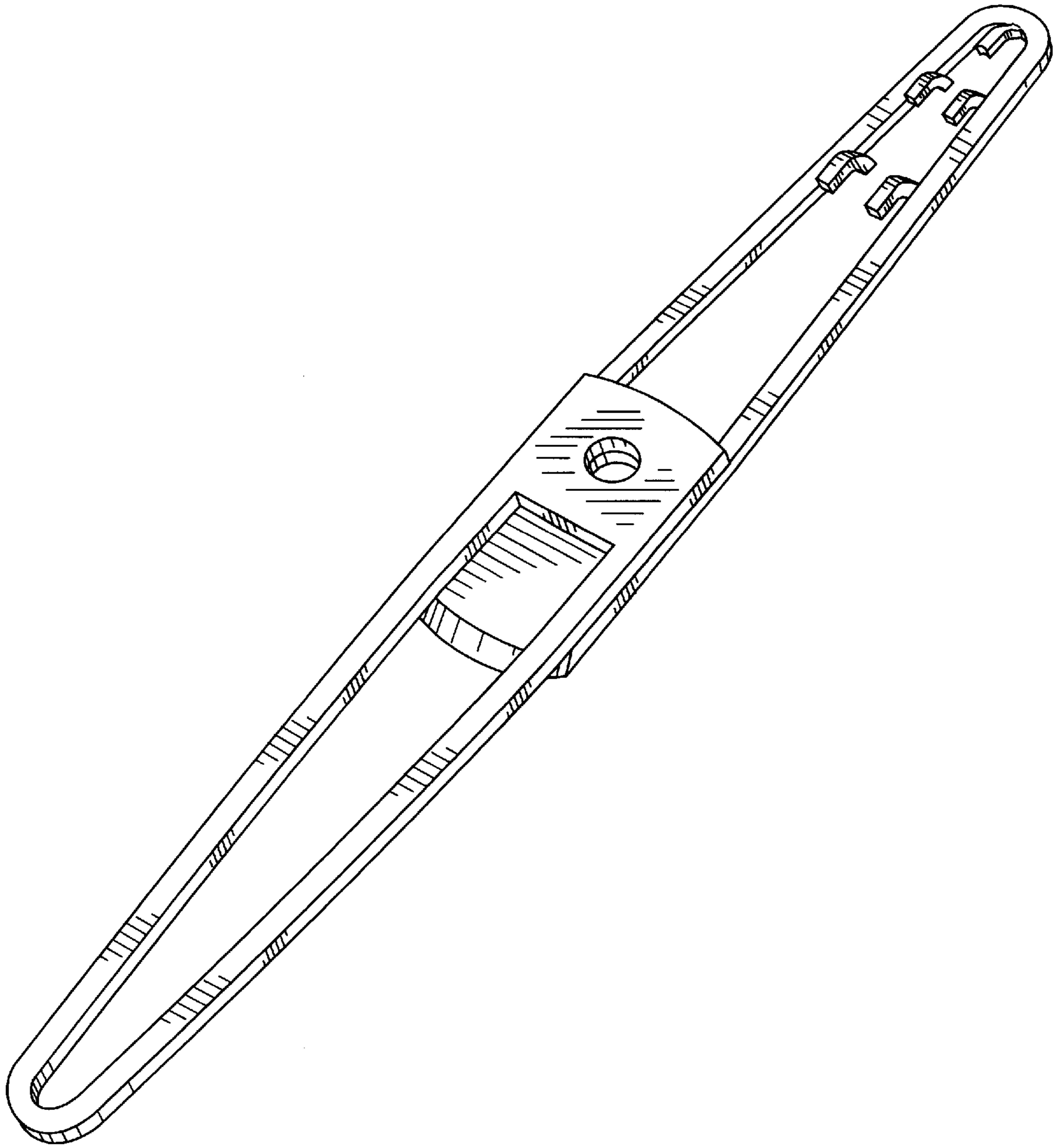


FIG. 9