



US00D429970S

United States Patent [19] Liu

[11] **Patent Number: Des. 429,970**

[45] **Date of Patent: ** Aug. 29, 2000**

[54] **CARRY CASE FOR SPOON**

[75] Inventor: **Anita Suk Ping Liu**, Orlando, Fla.

[73] Assignee: **Dart Industries Inc.**, Orlando, Fla.

[**] Term: **14 Years**

[21] Appl. No.: **29/113,142**

[22] Filed: **Oct. 29, 1999**

[51] **LOC (7) Cl.** **07-99**

[52] **U.S. Cl.** **D7/637**

[58] **Field of Search** D7/637-641; D3/201,
D3/206, 295; 206/372, 553, 558, 564; 220/735

5,188,234 2/1993 Fukuda et al. 206/553 X
 5,261,560 11/1993 Wang 206/372 X
 5,855,766 1/1999 Maimiye 206/581
 5,921,383 7/1999 Shefler 206/5

Primary Examiner—Terry A. Wallace
Attorney, Agent, or Firm—Taylor J. Ross

[57] **CLAIM**

The ornamental design for a carry case for spoon, as shown and described.

DESCRIPTION

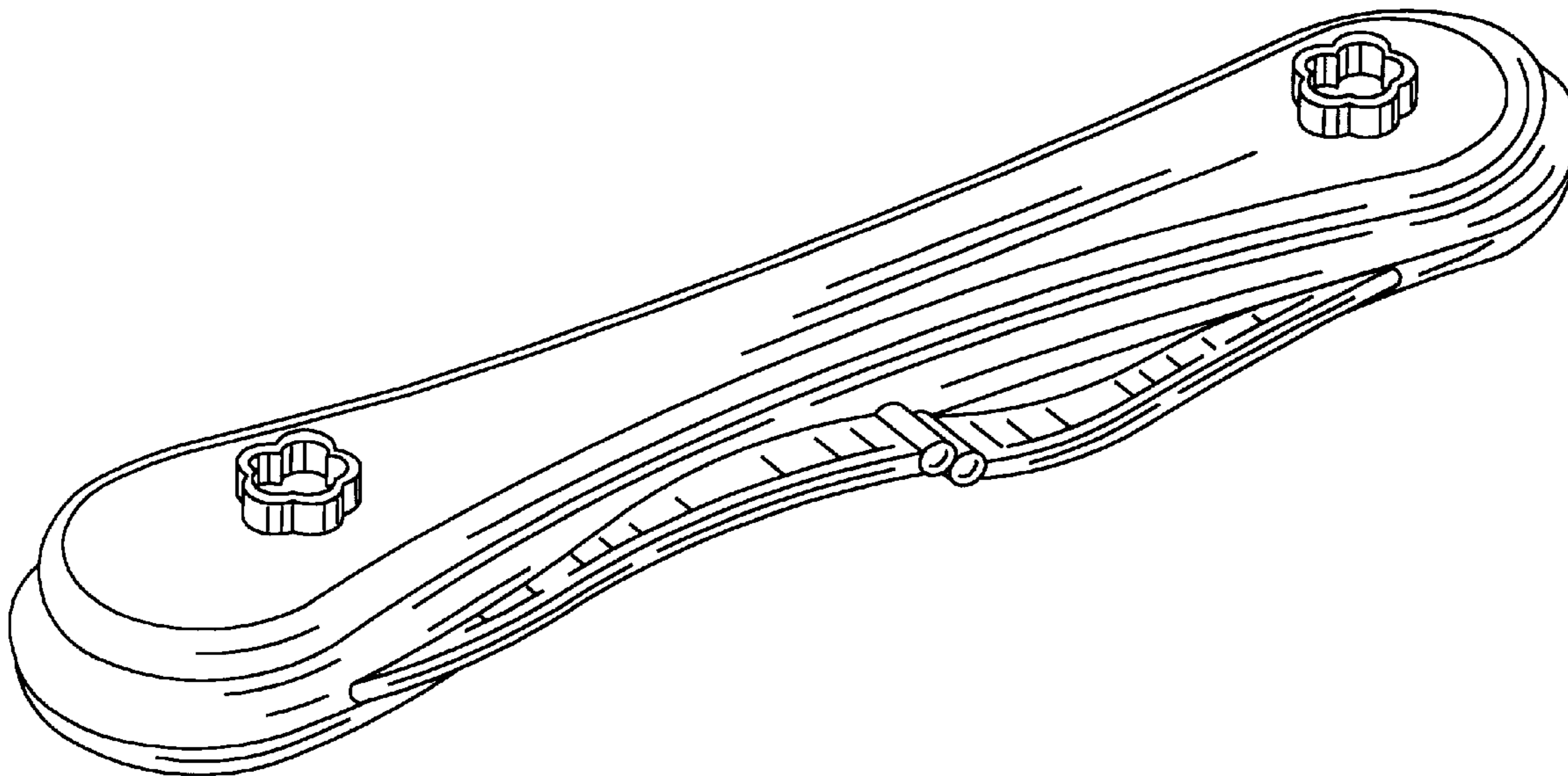
FIG. 1 is a top, side and front perspective view of a carry case for spoon showing the new design;
 FIG. 2 is a front elevation view thereof;
 FIG. 3 is a rear elevation view thereof;
 FIG. 4 is a right side elevational view thereof;
 FIG. 5 is a left side elevation view thereof;
 FIG. 6 is a top plan view thereof; and,
 FIG. 7 is a bottom plan view thereof.

1 Claim, 2 Drawing Sheets

[56] **References Cited**

U.S. PATENT DOCUMENTS

D. 306,235 2/1990 Tamamura .
 D. 353,744 12/1994 Ferris .
 2,682,950 7/1954 Mercer et al. 206/553
 4,989,747 2/1991 Demurger .



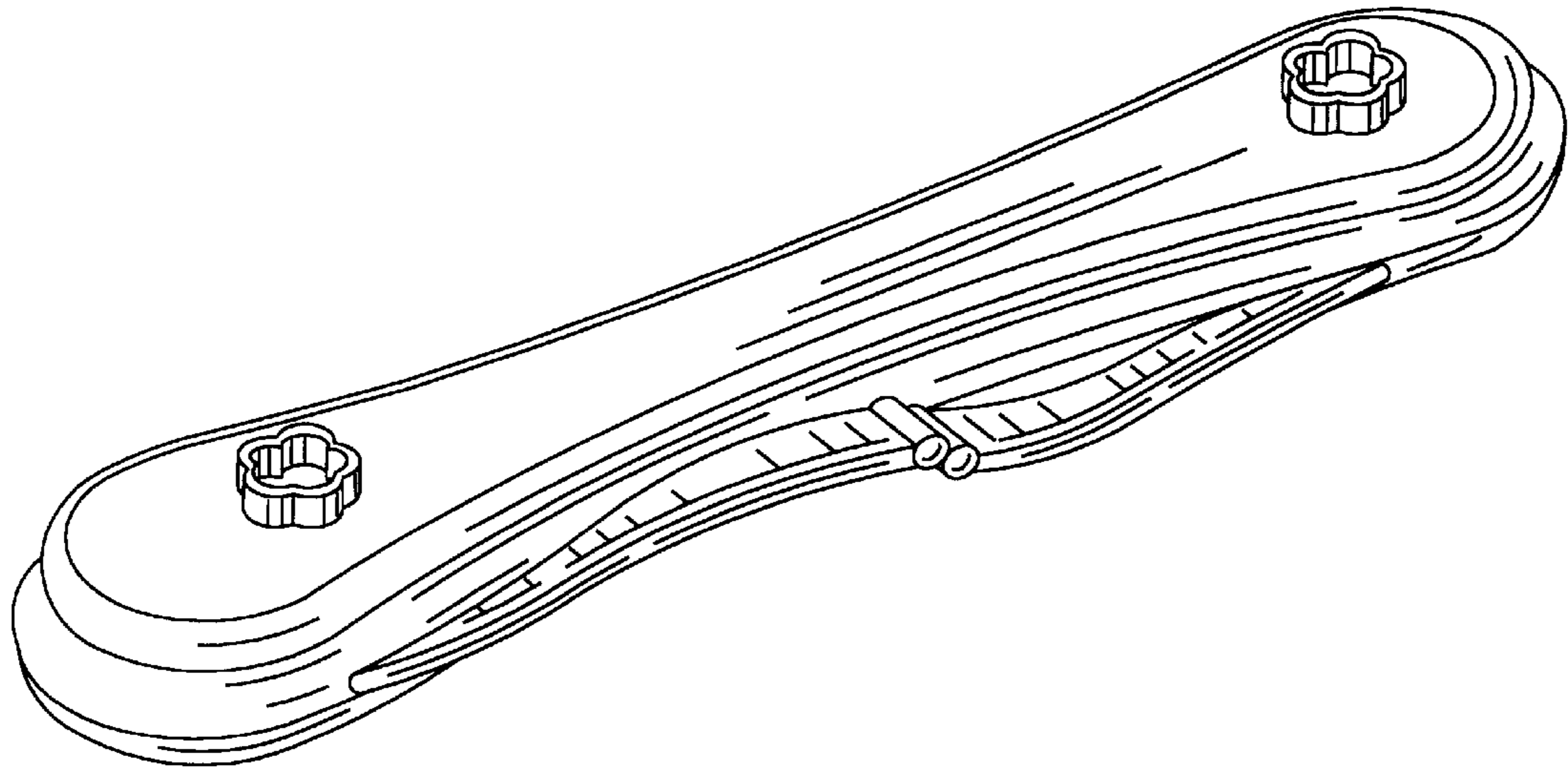


FIG. 1

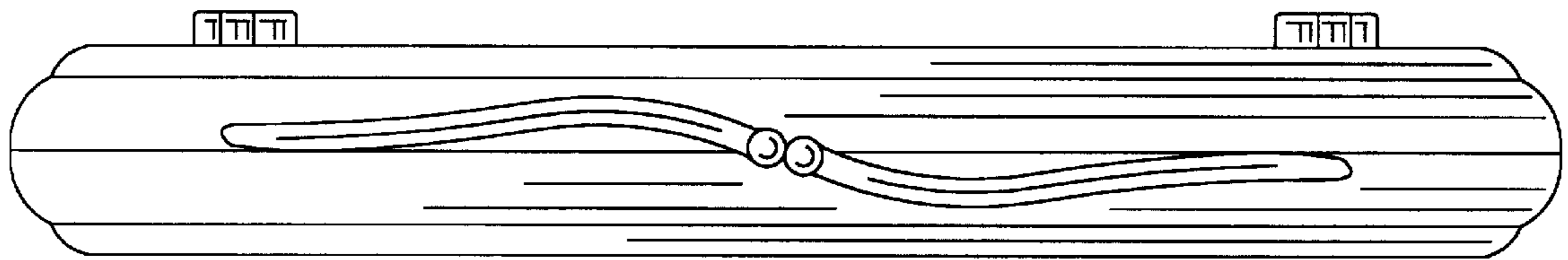


FIG. 2

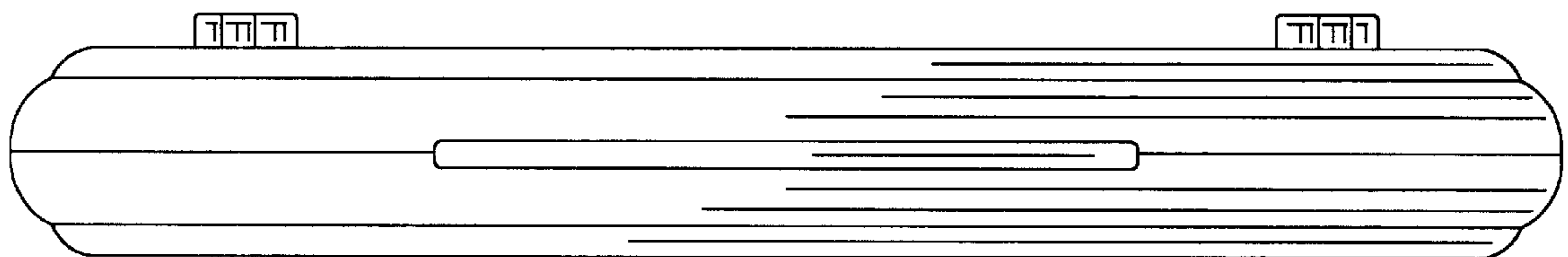


FIG. 3

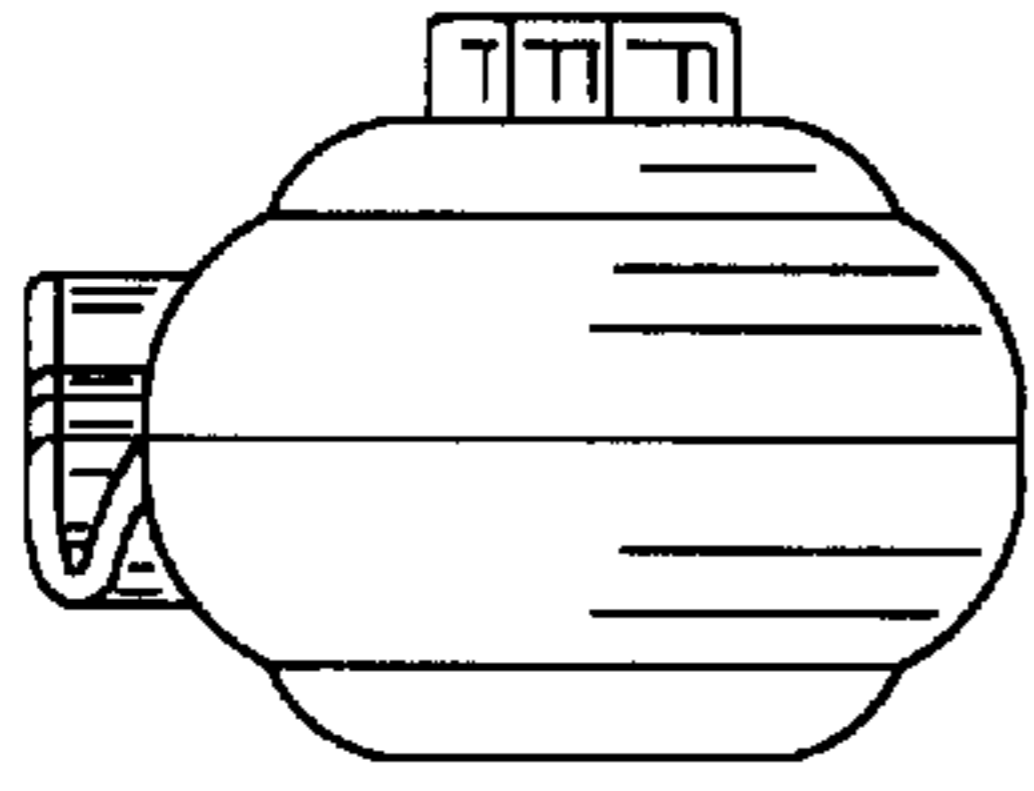


FIG. 4

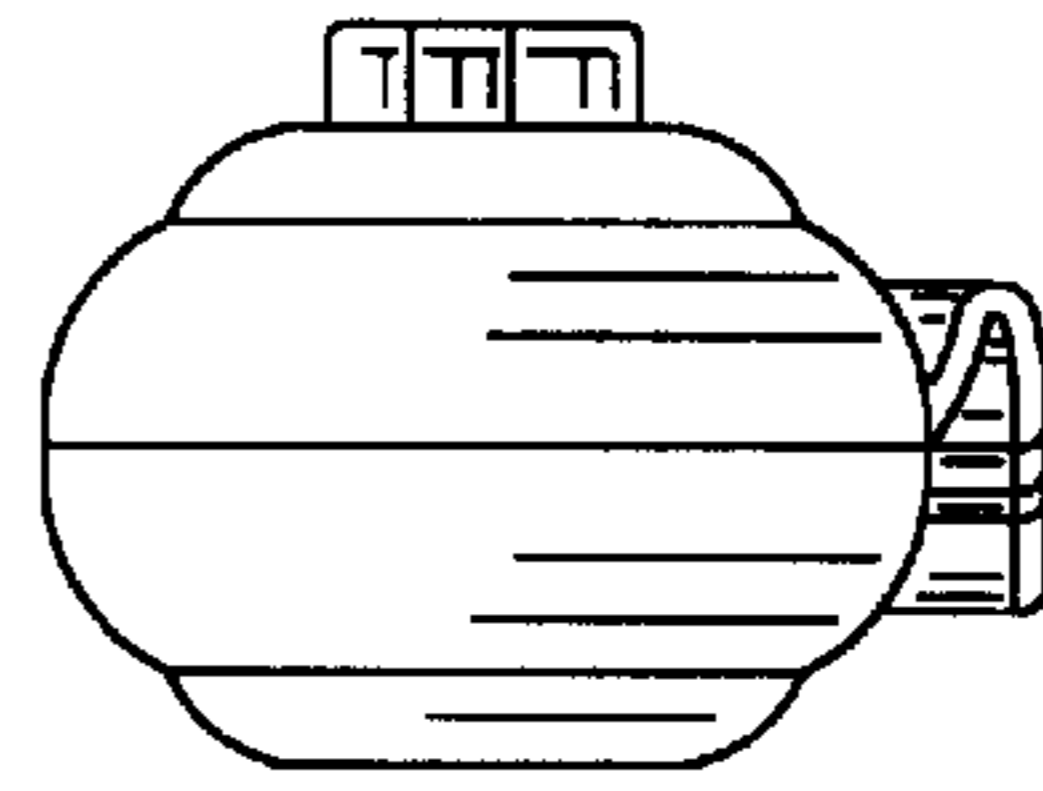


FIG. 5

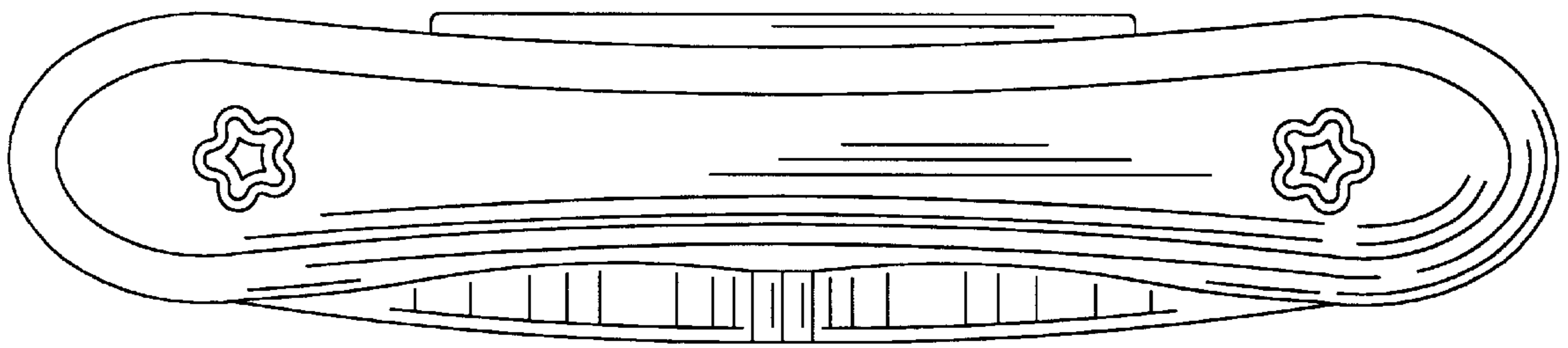


FIG. 6

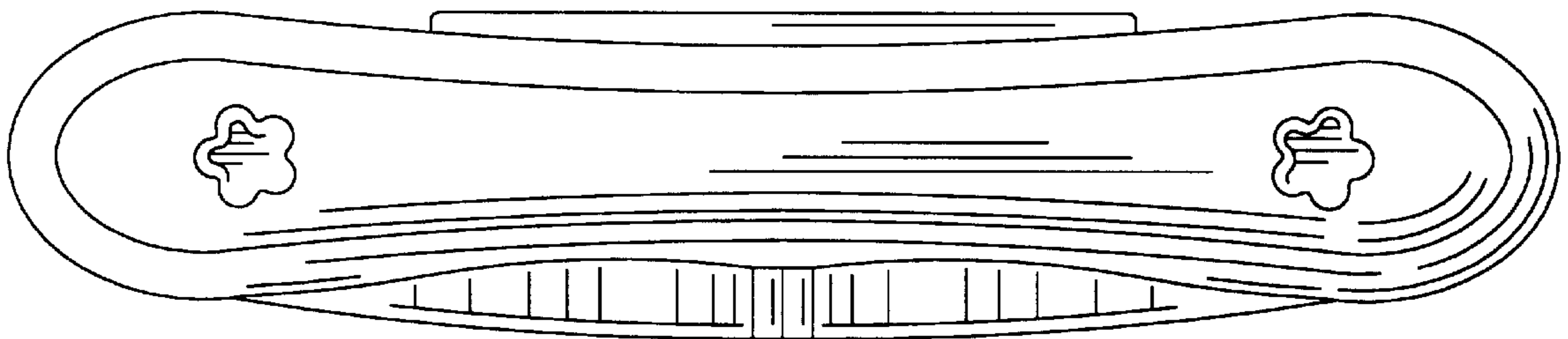


FIG. 7