



US00D429967S

United States Patent [19] Barfield

[11] Patent Number: **Des. 429,967**

[45] Date of Patent: **** Aug. 29, 2000**

[54] **RECEPTACLE HOLDER**

[76] Inventor: **Russell Raymond Barfield**, 933 S. Northlake Dr., Hollywood, Fla. 33019

[**] Term: **14 Years**

[21] Appl. No.: **29/106,415**

[22] Filed: **Jun. 15, 1999**

[51] **LOC (7) Cl.** **07-99**

[52] **U.S. Cl.** **D7/620**

[58] **Field of Search** D3/201, 206, 304, D3/315; D7/619-625; D12/419; 215/386, 395; 211/71, 74; 220/703, 711, 737-739; 248/309.4, 311.2, 346.11

[56] **References Cited**

U.S. PATENT DOCUMENTS

D. 289,122	4/1987	Meyer et al.	D6/573
D. 348,807	7/1994	Cobb	D7/619
3,556,341	1/1971	Rains	220/90.4
3,982,716	9/1976	Trees	248/309.4
4,220,304	9/1980	Wong et al.	248/231

4,928,823	5/1990	Campbell	206/338
5,143,252	9/1992	Shi	221/185
5,186,350	2/1993	McBride	220/412
5,804,068	9/1998	Reed	210/222

Primary Examiner—Terry A. Wallace
Attorney, Agent, or Firm—Brinkley, McNerney, Morgan, Solomon & Tatum, LLP

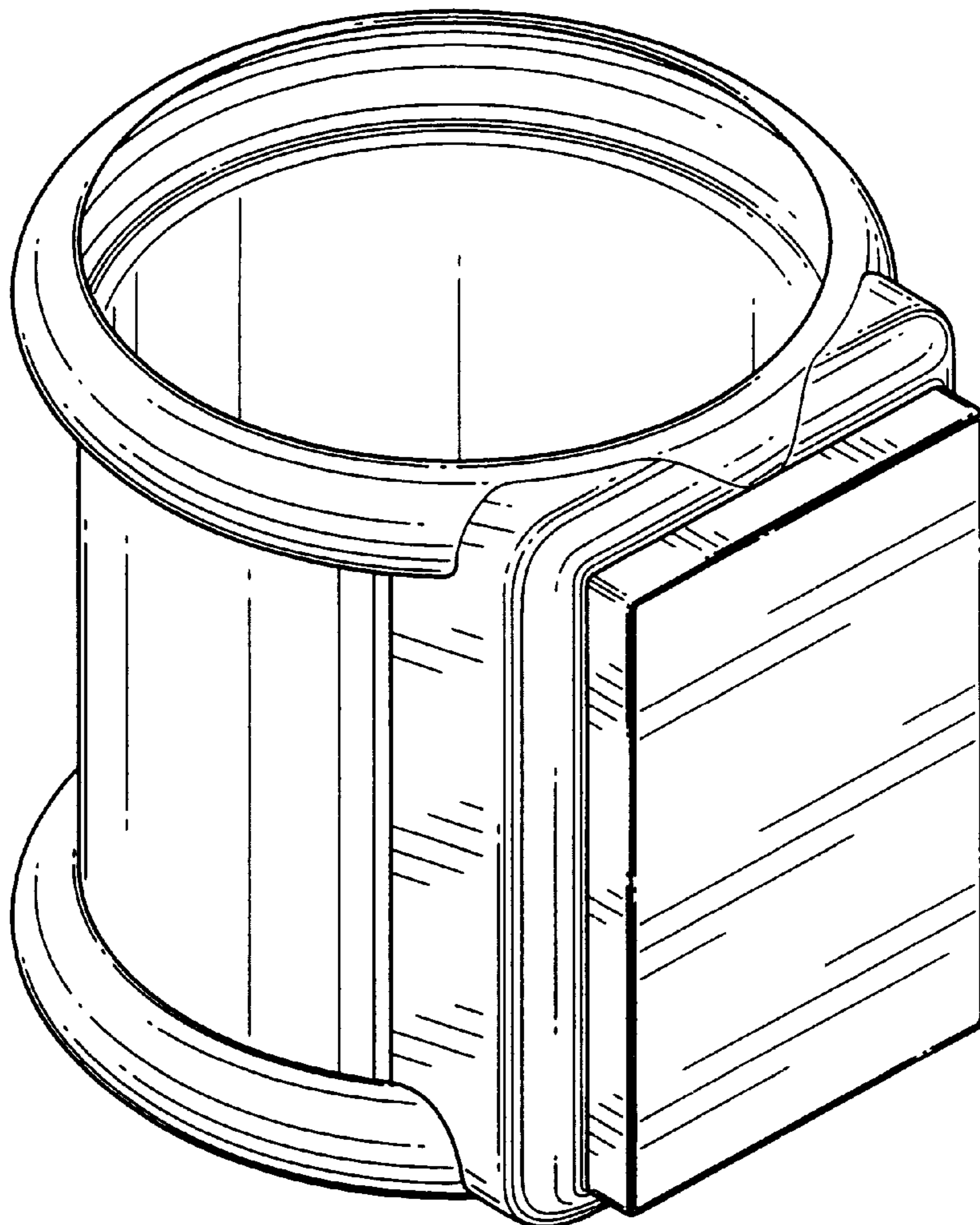
[57] **CLAIM**

The ornamental design for a receptacle holder, as shown and described.

DESCRIPTION

FIG. 1 is a perspective view of the receptacle holder, showing the new design;
FIG. 2 is a front elevational view thereof;
FIG. 3 is a rear elevational view thereof;
FIG. 4 is a right side elevational view thereof, which is a mirror image of the left side;
FIG. 5 is a top plan view thereof; and,
FIG. 6 is a bottom plan view thereof.

1 Claim, 6 Drawing Sheets



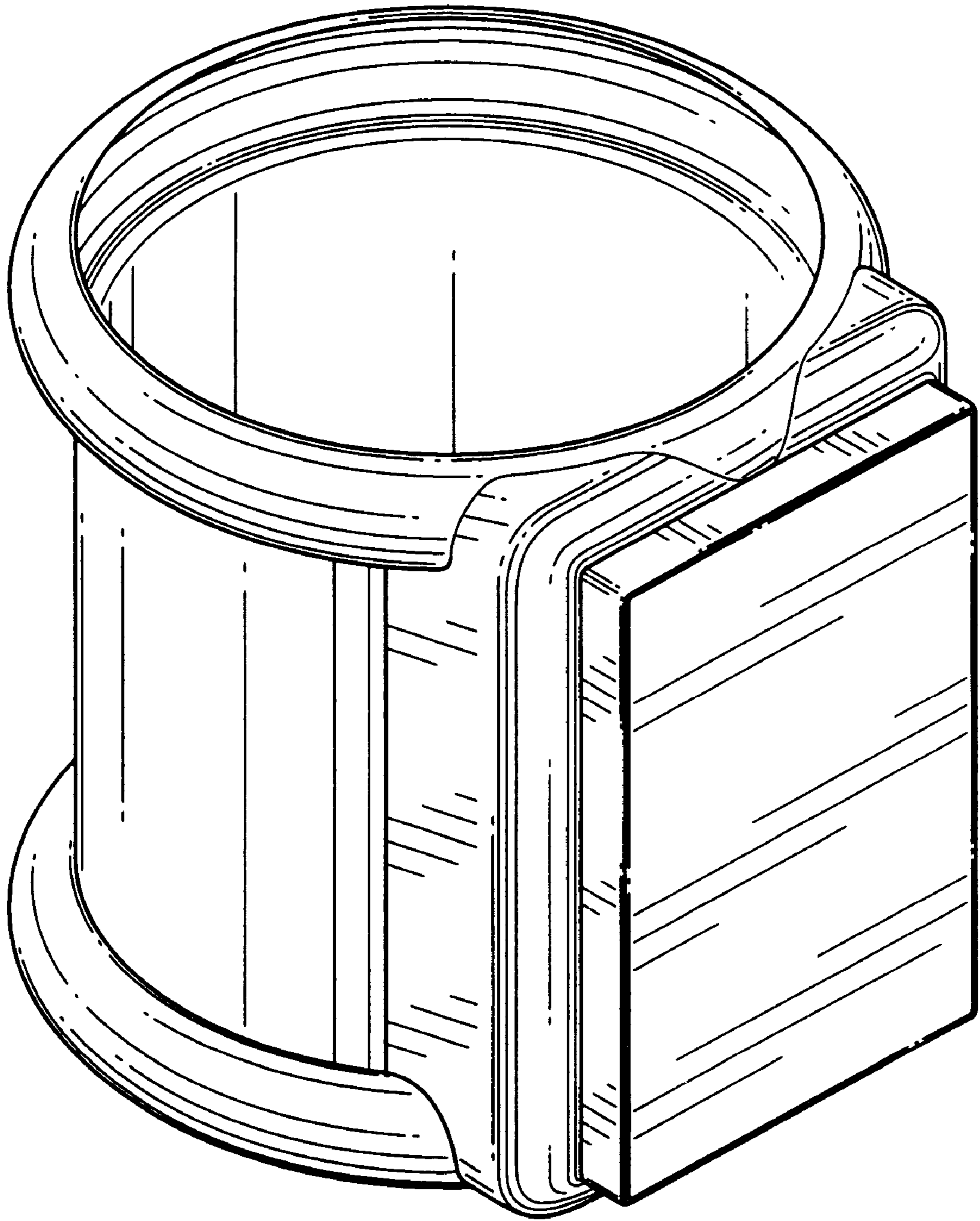


FIG. 1

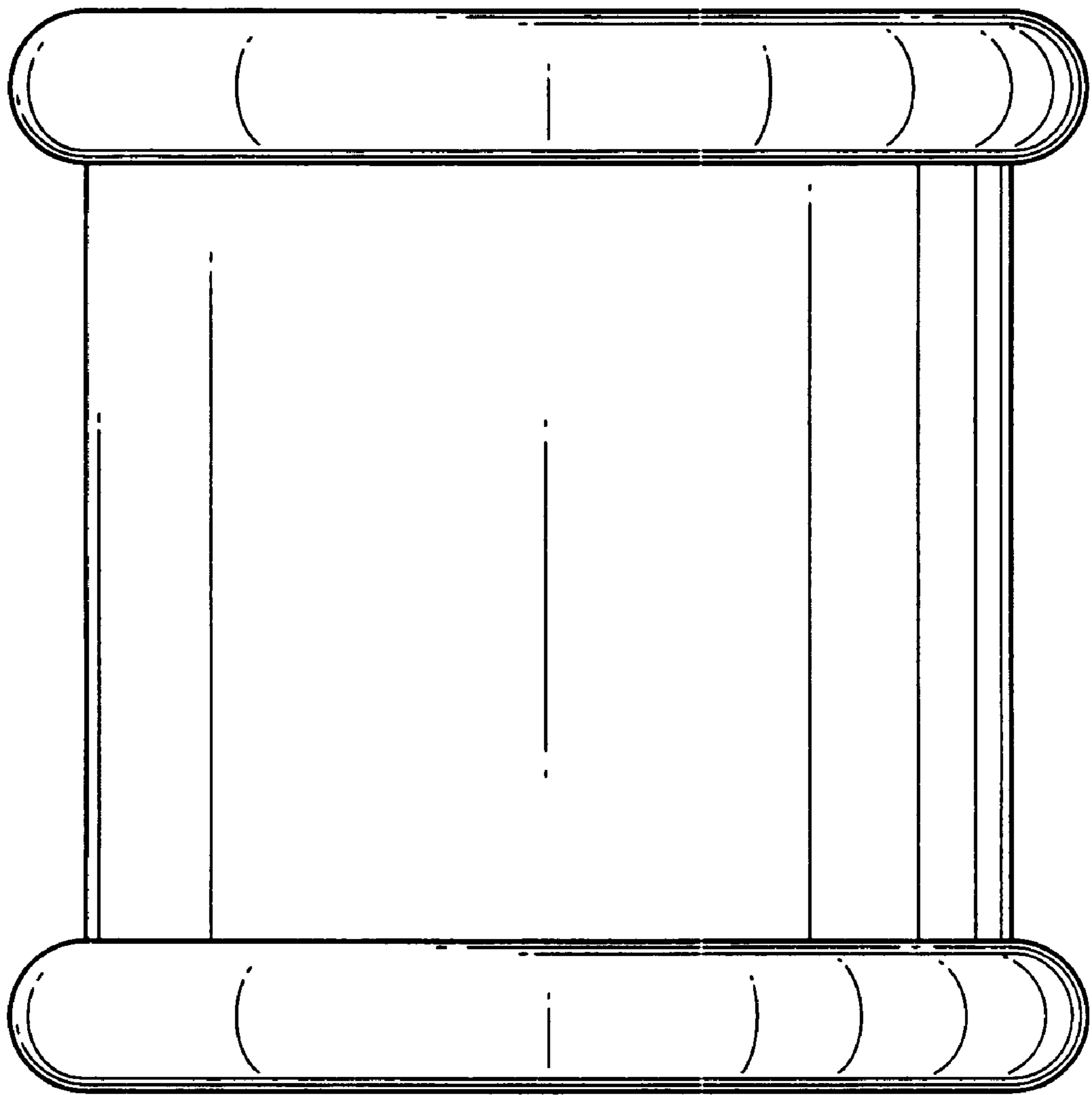


FIG. 2

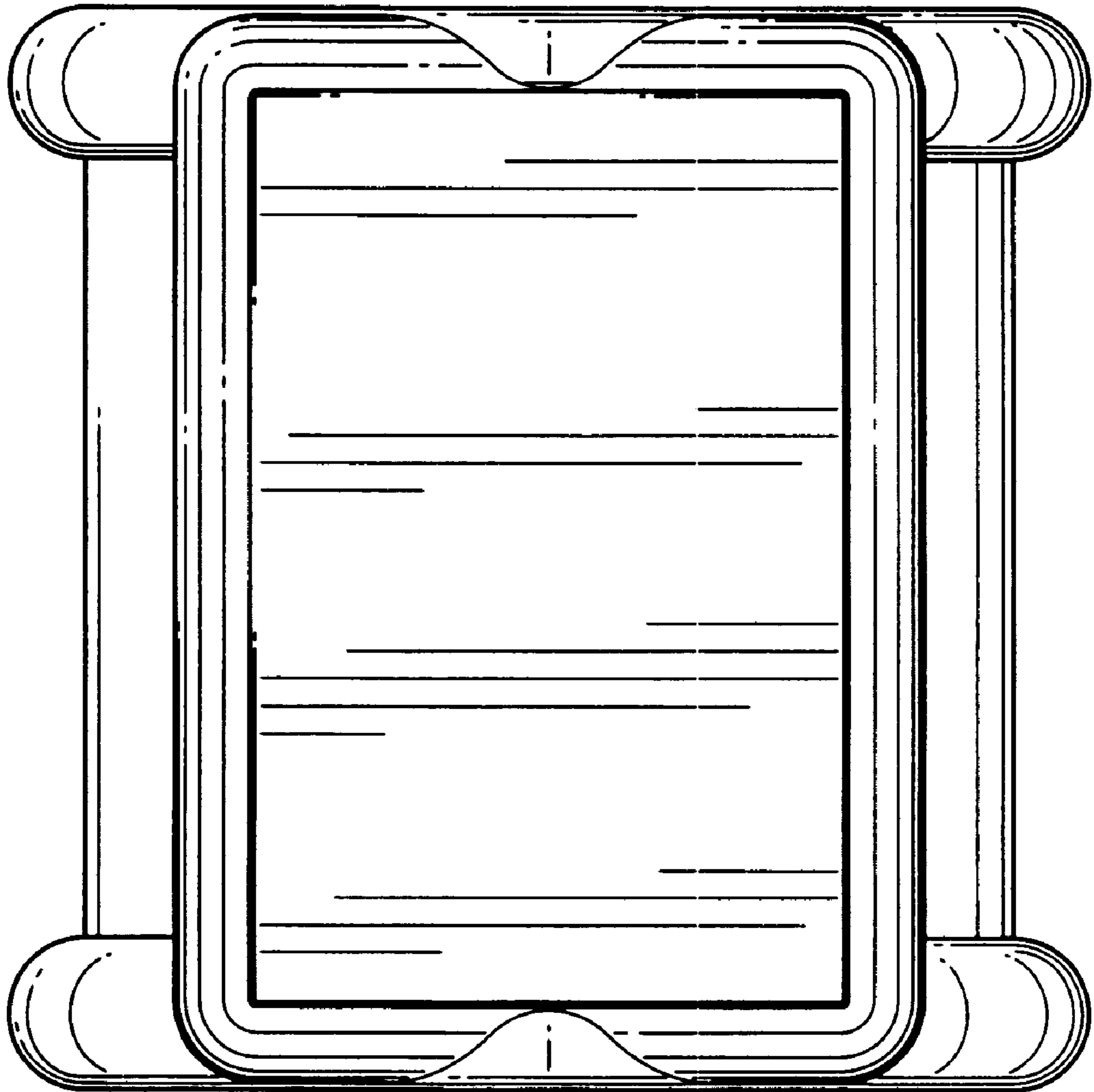


FIG. 3

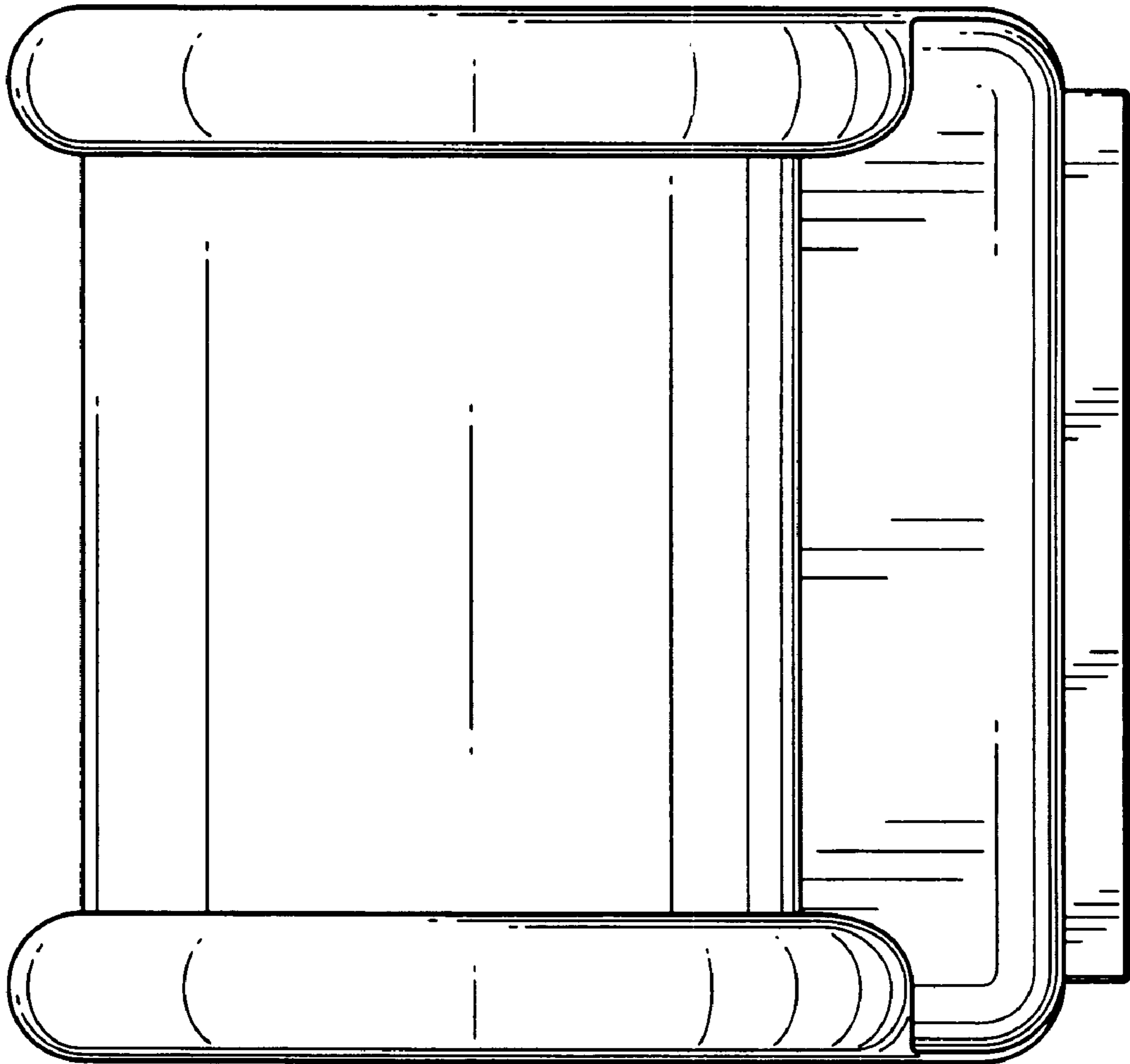


FIG. 4

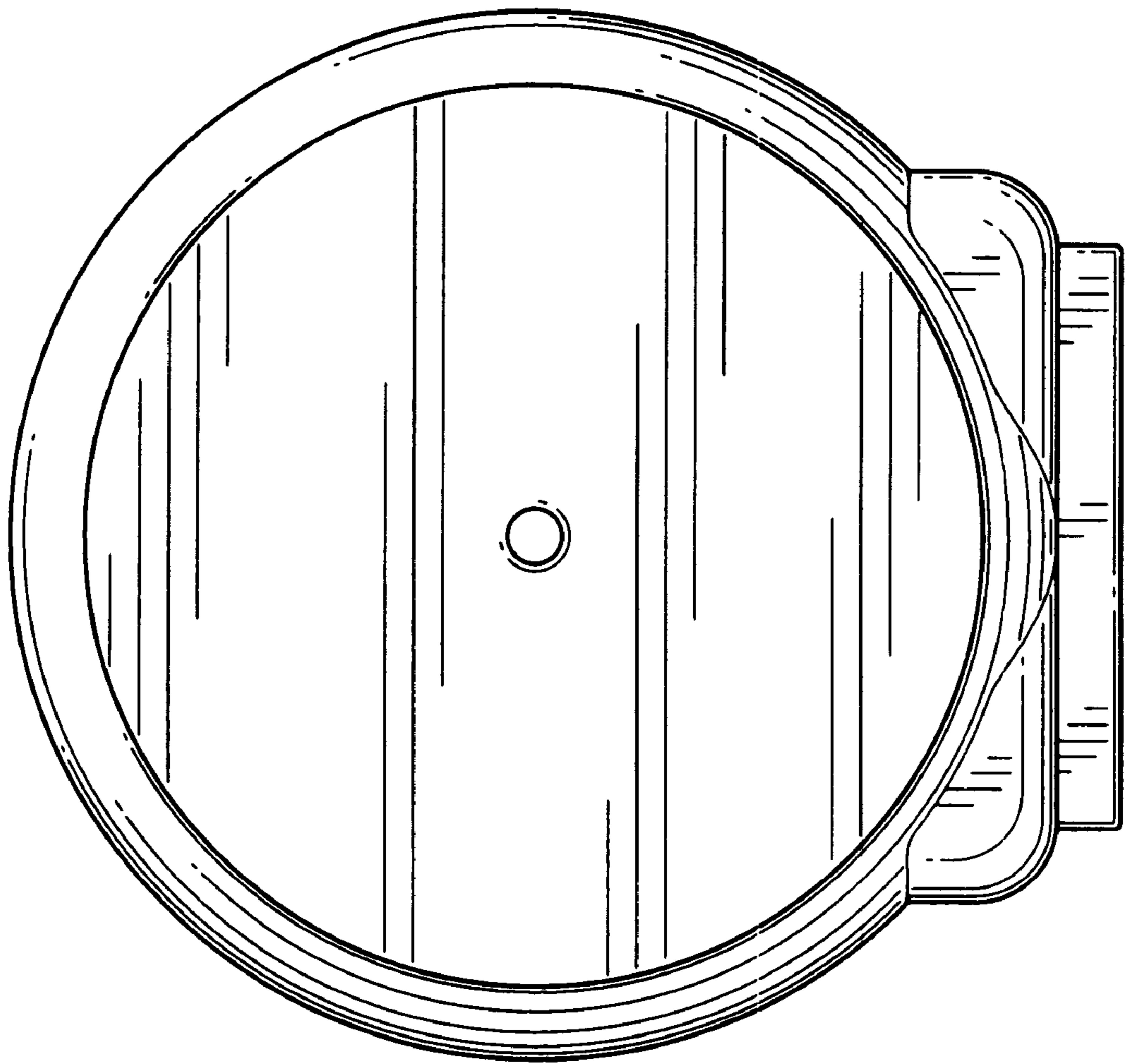


FIG. 5

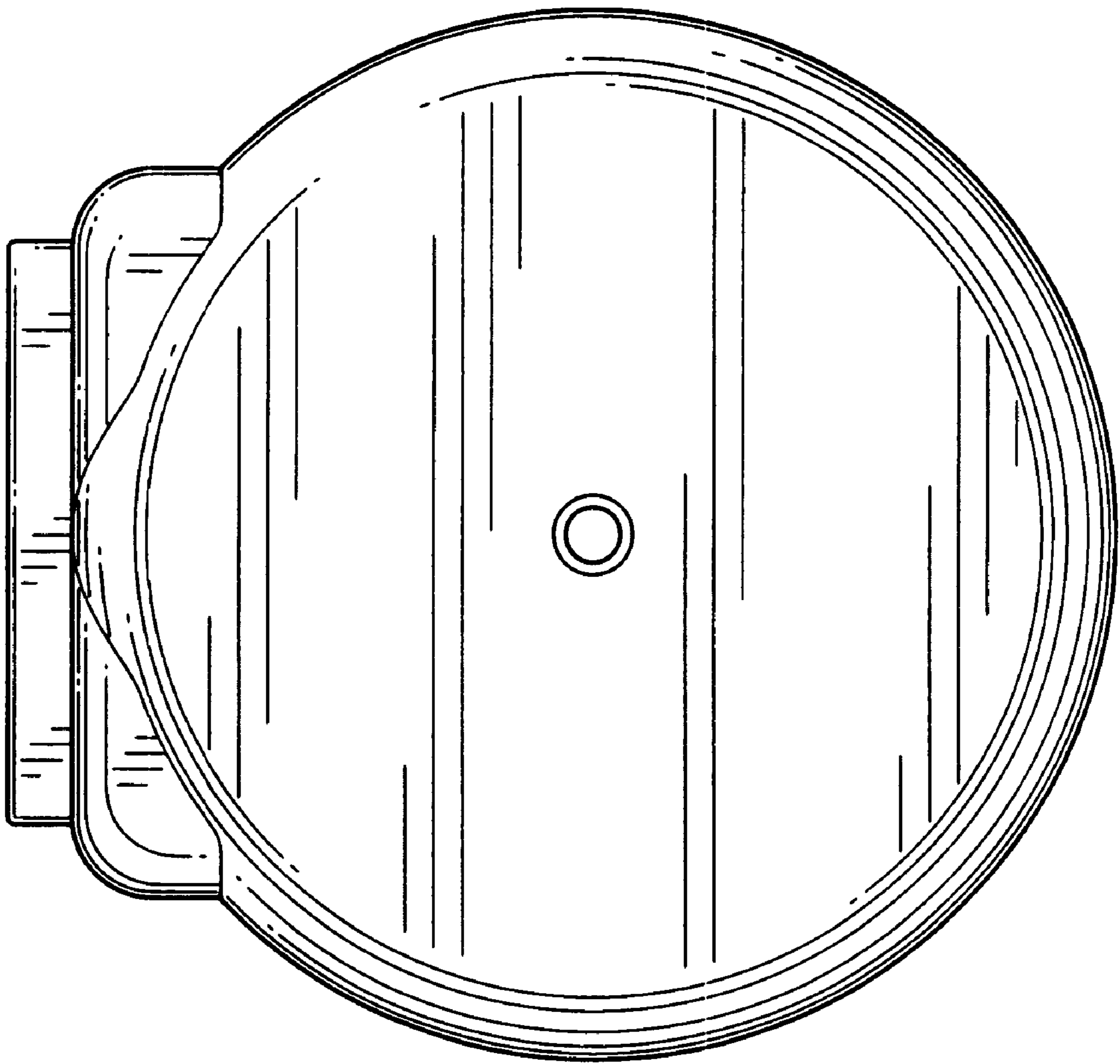


FIG. 6