



US00D429966S

# United States Patent [19]

[11] **Patent Number: Des. 429,966**

Israel et al.

[45] **Date of Patent: \*\* Aug. 29, 2000**

[54] **INSULATED CONTAINER**

D. 369,695	5/1996	Imotani	.....	D7/605 X
D. 374,772	10/1996	Hotaling et al.	.....	D3/273 X
5,259,215	11/1993	Rocca	.....	62/371
5,373,708	12/1994	Dumoulin	.....	62/457.7

[75] Inventors: **Gary P. Israel**, Andover; **Timothy M. Holub**, Cheney; **Lauren D. Worley**, Wichita, all of Kans.; **Vernon M. Svitak, Jr.**, Scottsdale, Ariz.; **Dowling G. Bellows**, Valley Center, Kans.

*Primary Examiner*—Terry A. Wallace  
*Attorney, Agent, or Firm*—Kramer Levin Naftalis & Frankel LLP

[73] Assignee: **The Coleman Company, Inc.**, Wichita, Kans.

### [57] CLAIM

[\*\*] Term: **14 Years**

The ornamental design for an insulated container, as shown and described.

[21] Appl. No.: **29/108,825**

### DESCRIPTION

[22] Filed: **Aug. 4, 1999**

FIG. 1 is a front perspective view showing the new design; FIG. 2 is a side elevational view thereof; FIG. 3 is a side elevational view thereof; FIG. 4 is a top plan view thereof; FIG. 5 is a bottom plan view thereof; FIG. 6 is a front elevational view thereof; and, FIG. 7 is a rear elevational view thereof.

[51] **LOC (7) Cl.** ..... **07-07**

[52] **U.S. Cl.** ..... **D7/605**

[58] **Field of Search** ..... D7/605-607; D3/273, D3/274; 62/457.1, 457.7, 371, 372; 220/592.2, 592.24, 592.25, 915.1, 915.2

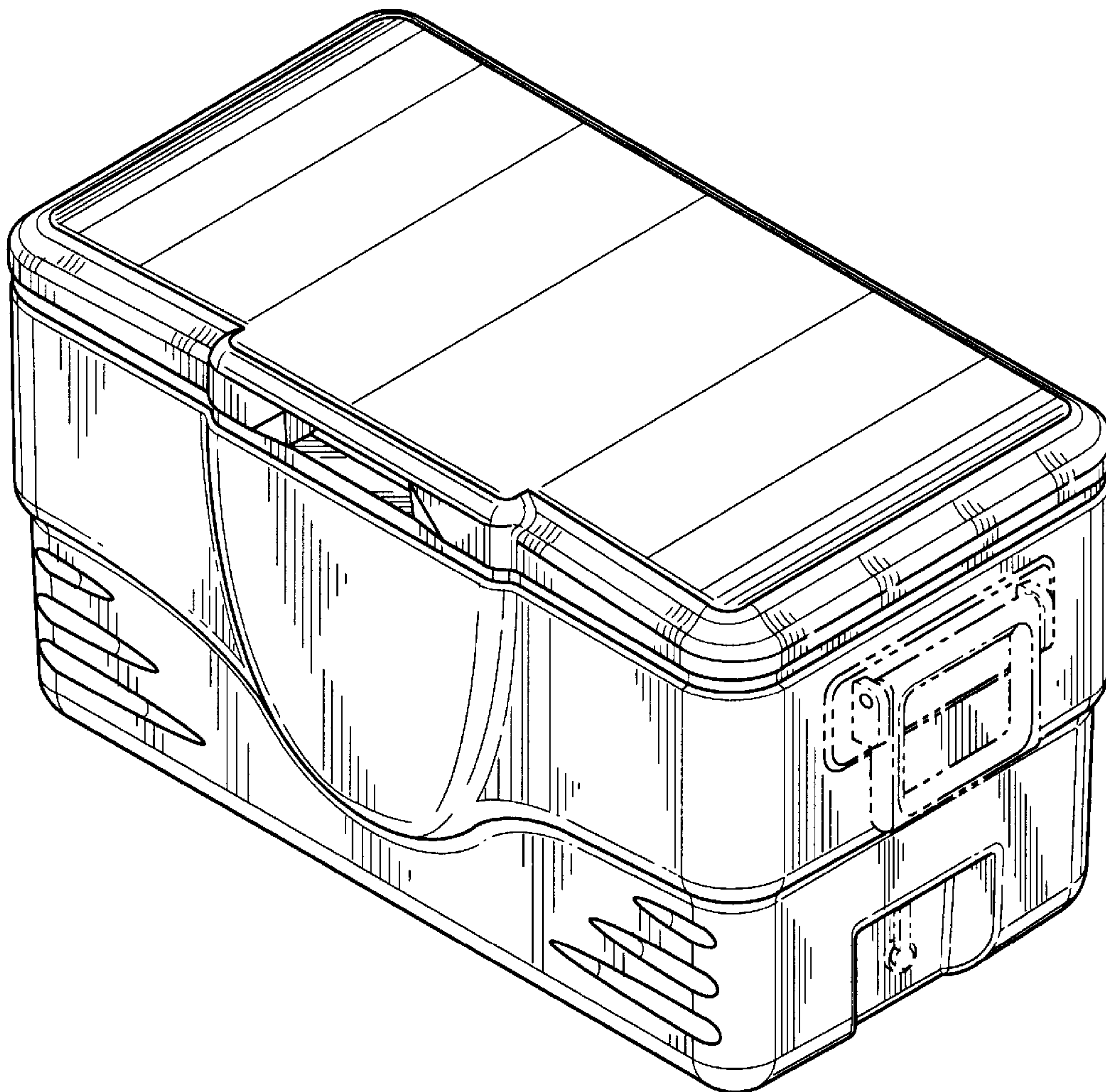
The broken lines are for illustrative purposes only and form no part of the claimed design.

### [56] References Cited

#### U.S. PATENT DOCUMENTS

D. 328,689 8/1992 Riskowski ..... D7/605

**1 Claim, 7 Drawing Sheets**



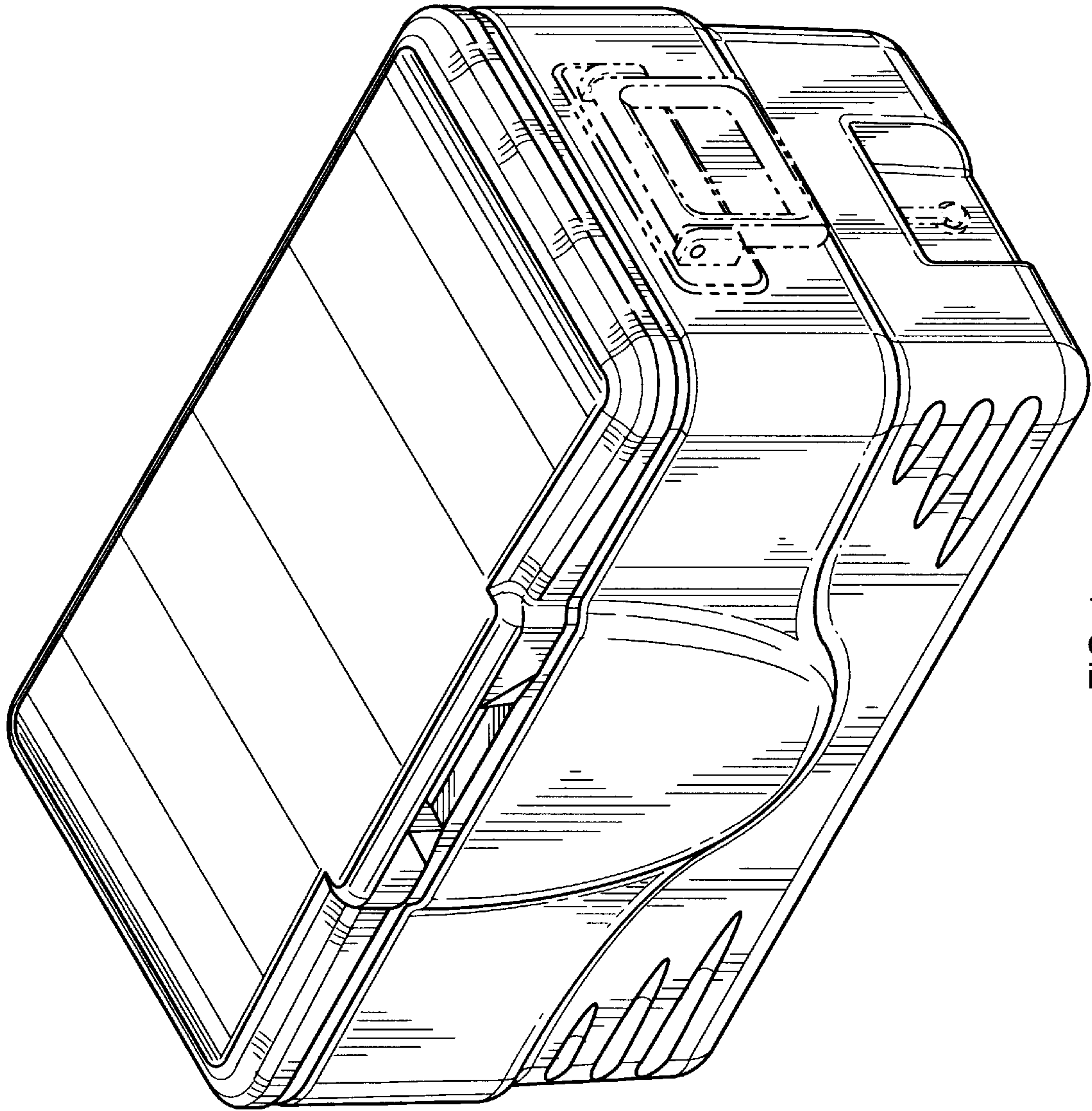


FIG. 1

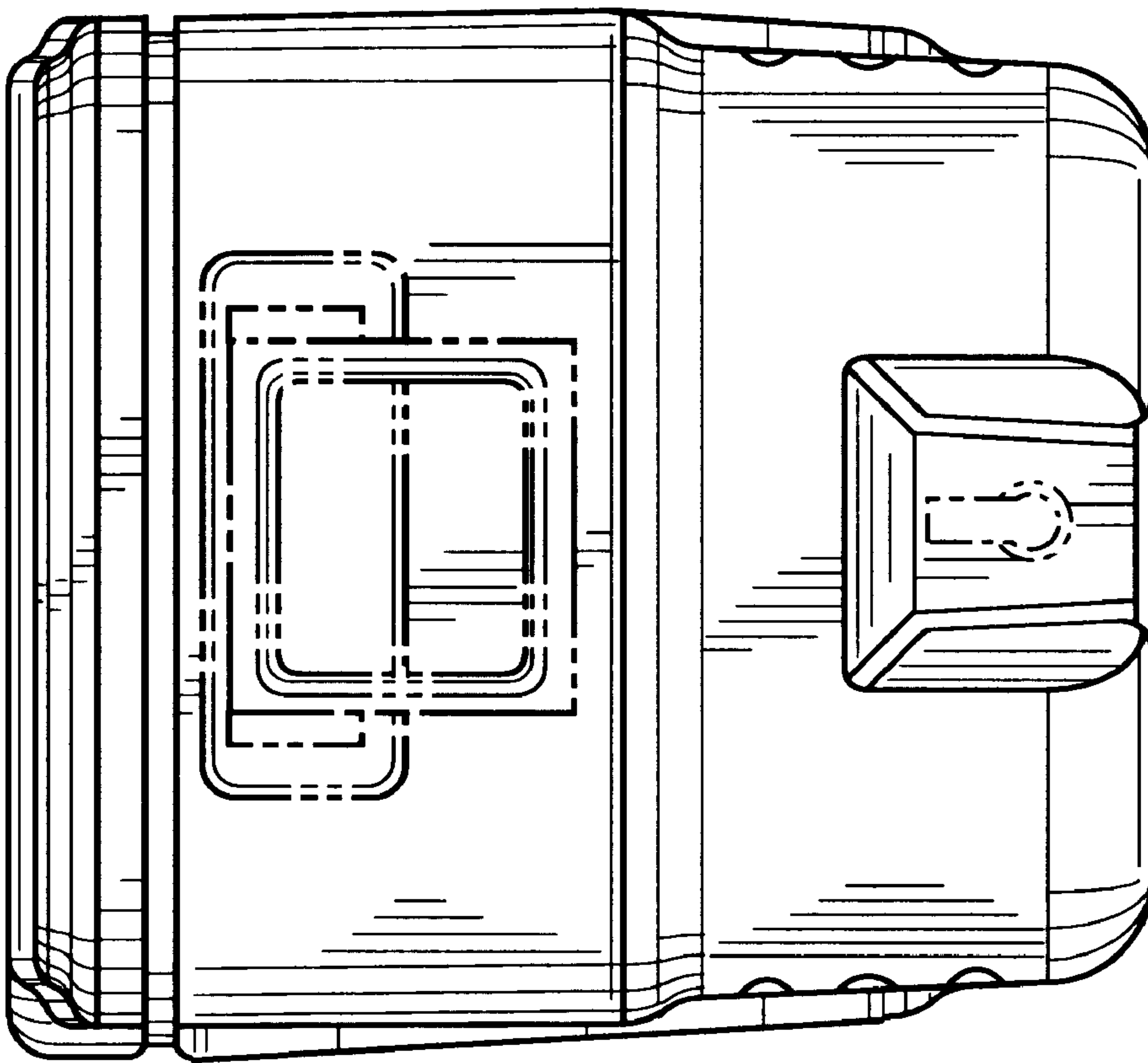


FIG. 2

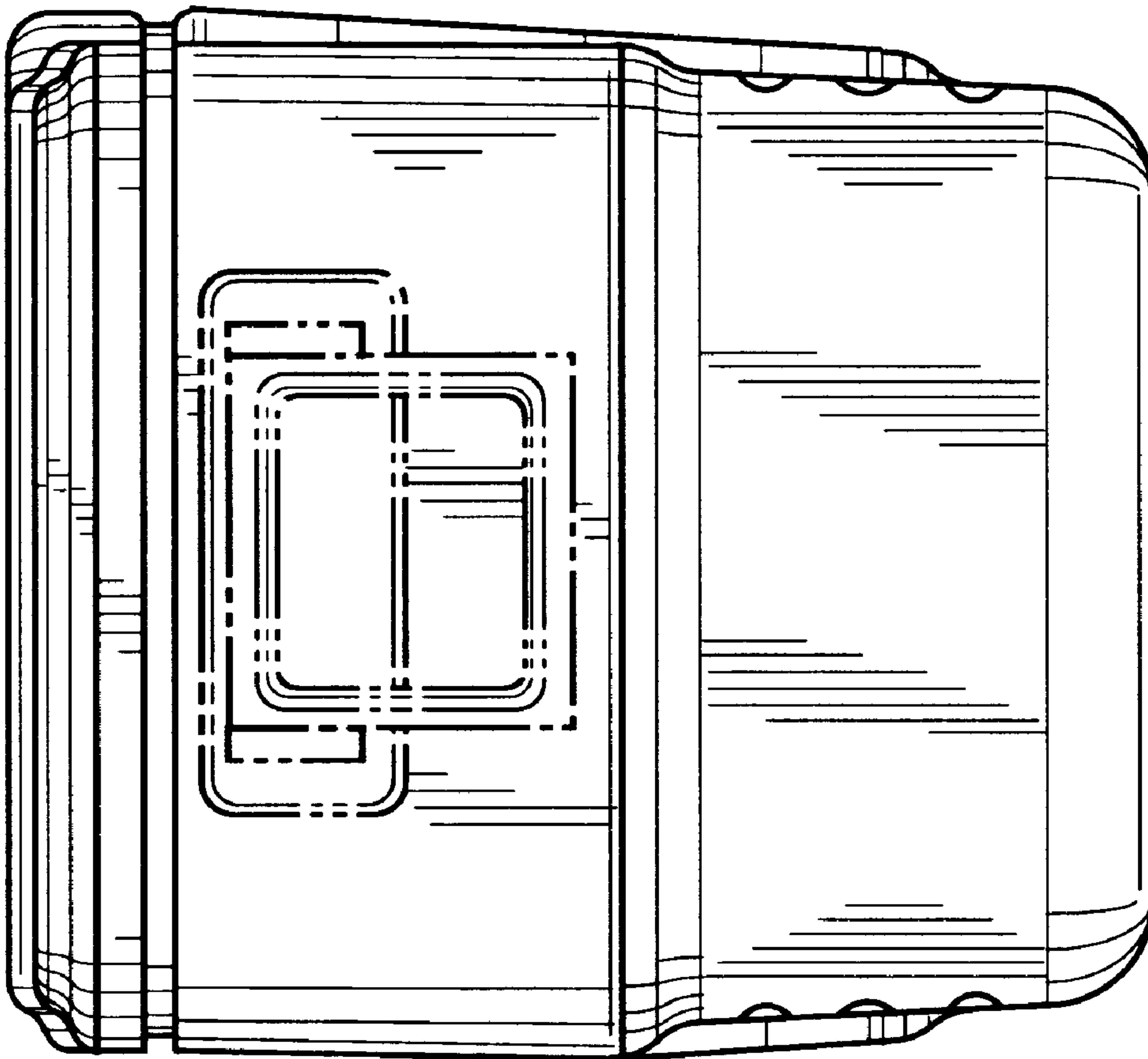


FIG. 3



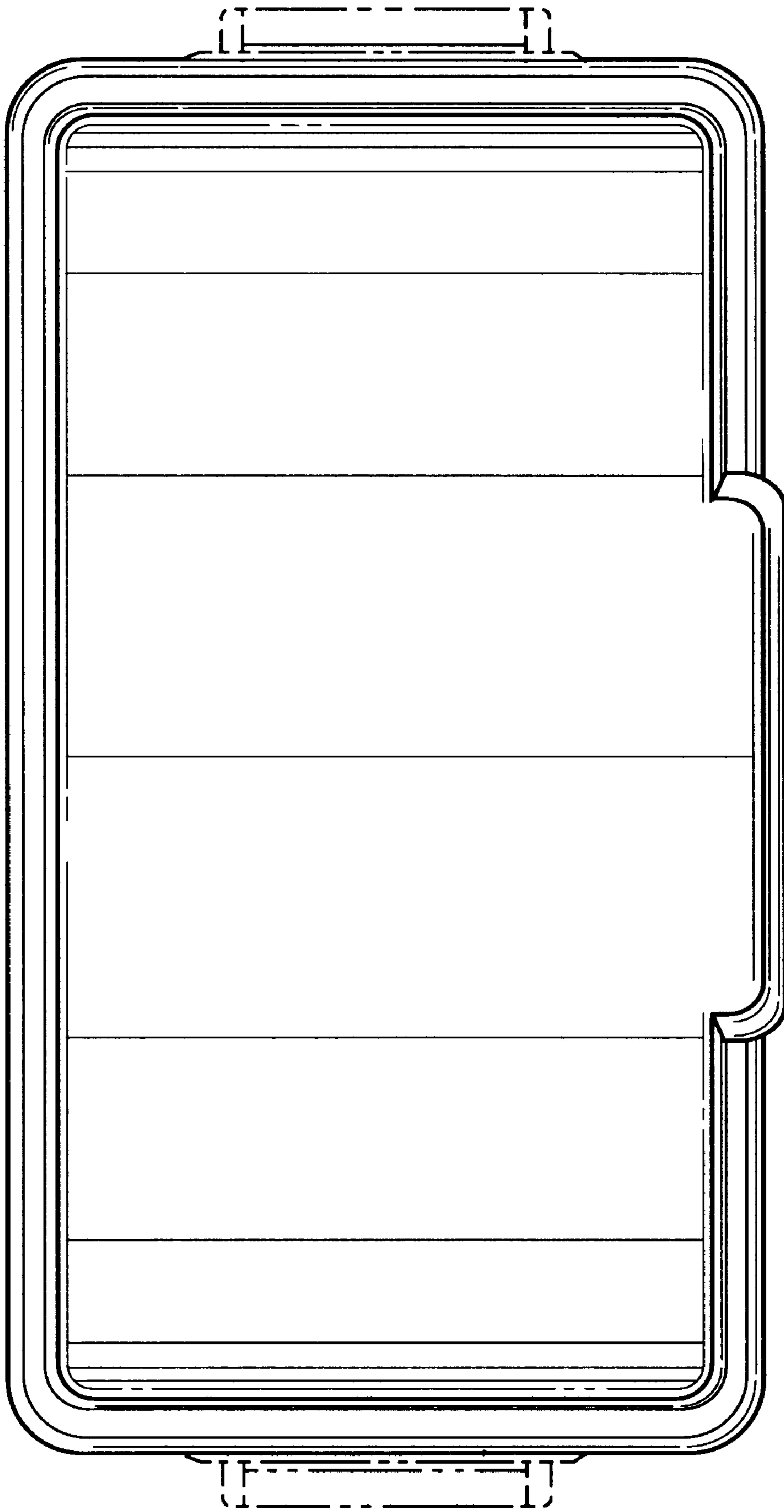


FIG. 4

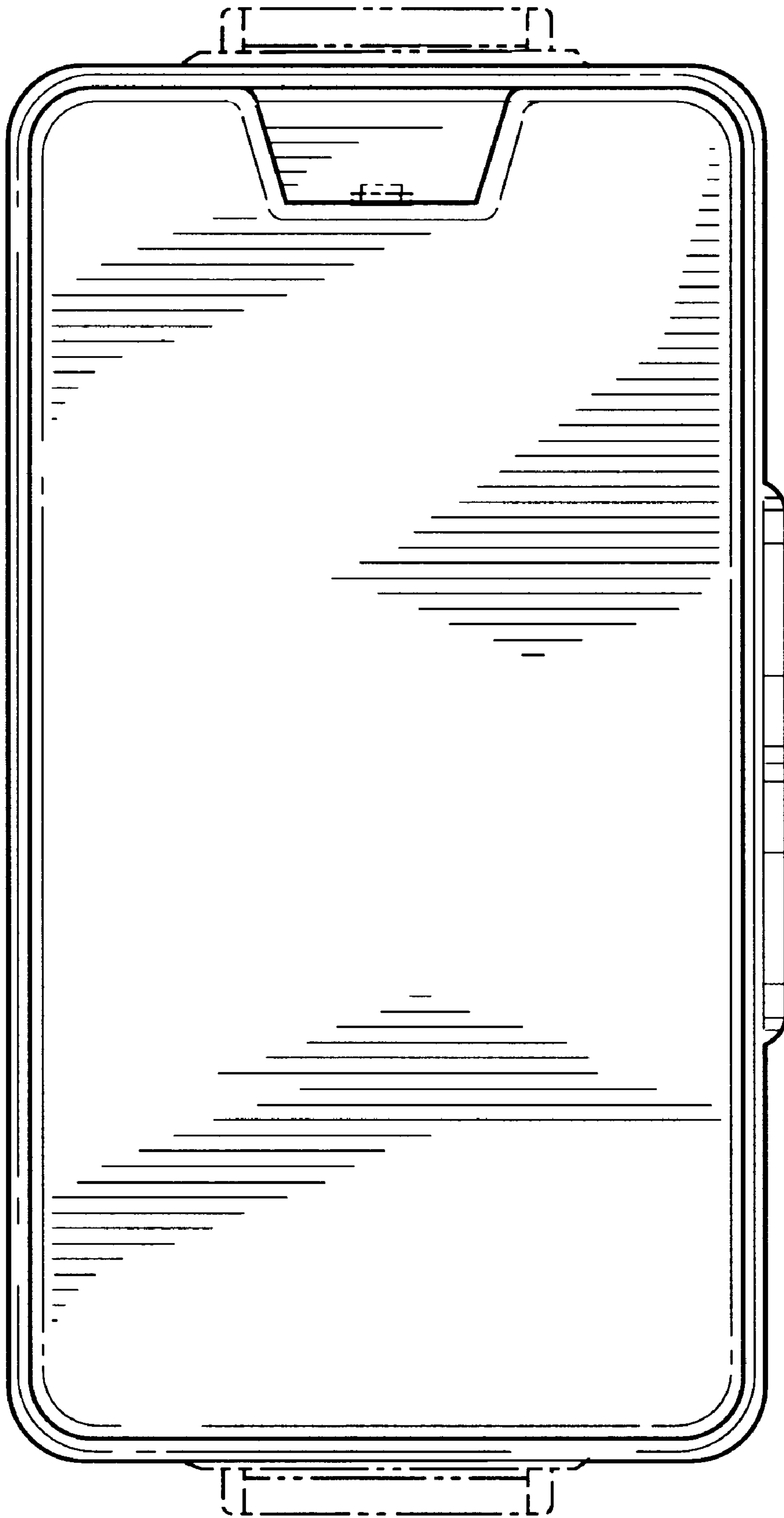


FIG. 5

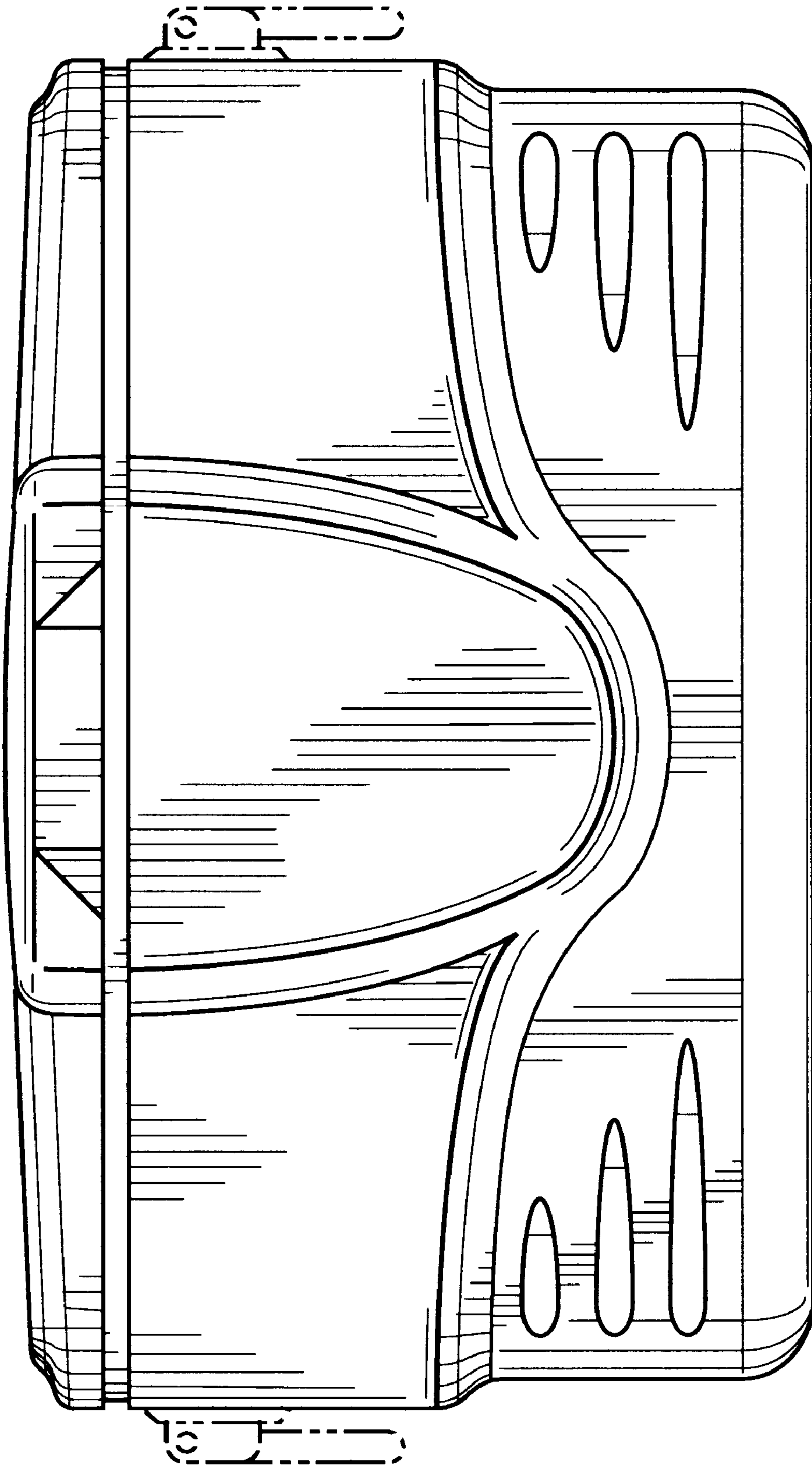


FIG. 6

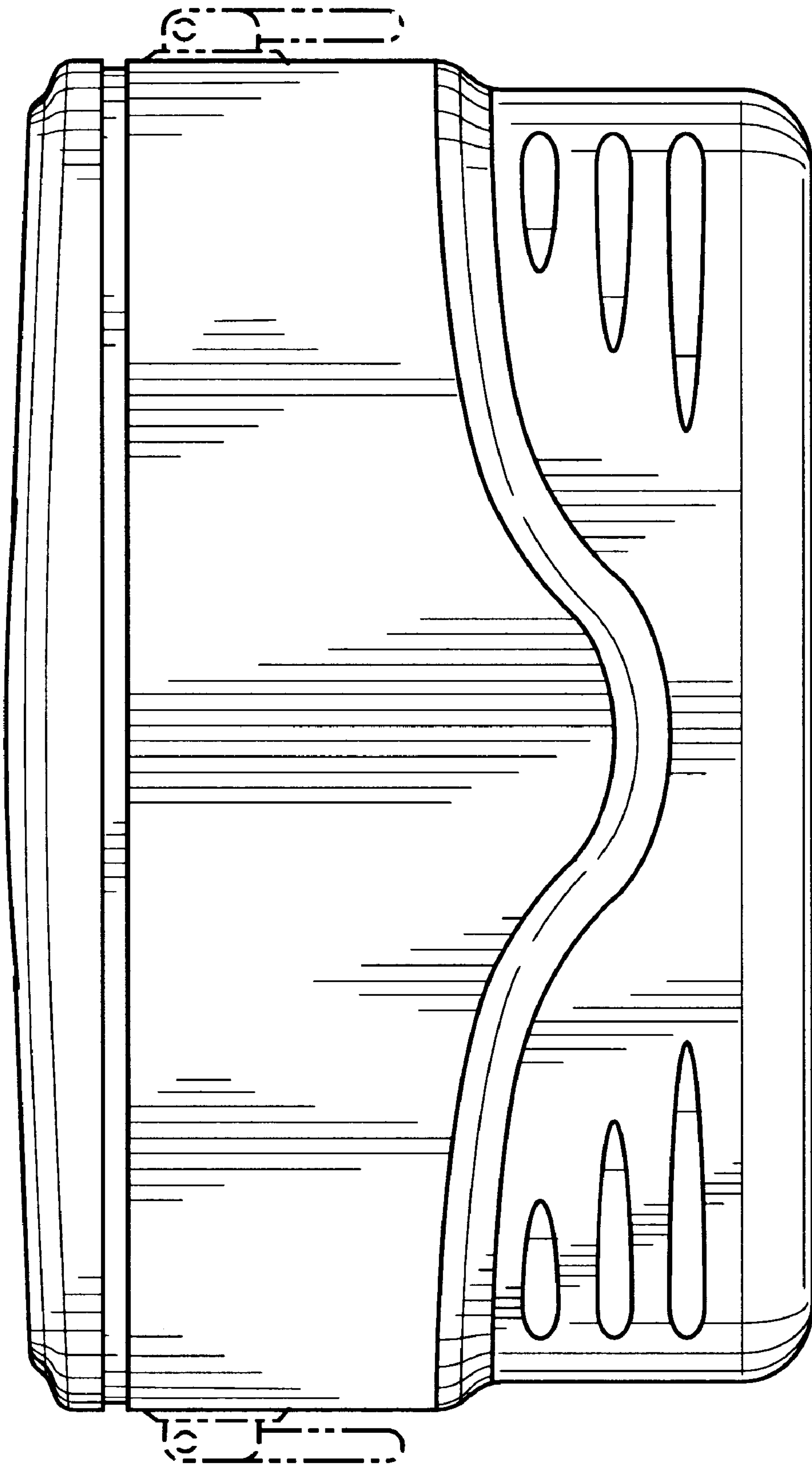


FIG. 7