



US00D429964S

# United States Patent [19]

Miller et al.

[11] Patent Number: Des. 429,964

[45] Date of Patent: \*\* Aug. 29, 2000

[54] CHIP AND DIP TRAY

[75] Inventors: David George Miller, Carrollton; Arie Nissan Sharon, Rowlett, both of Tex.

[73] Assignee: Recot, Inc., Pleasanton, Calif.

[\*\*] Term: 14 Years

[21] Appl. No.: 29/106,204

[22] Filed: Jun. 8, 1999

[51] LOC (7) Cl. .... 07-01

[52] U.S. Cl. .... D7/553.4; D7/553.3; D7/549

[58] Field of Search ..... D7/553.1, 553.2, D7/553.3, 553.4, 553.5, 555, 549; D9/341, 345, 347; 219/725; 220/556, 575, 501, 23.83; 204/558

- 4,722,850 2/1988 White et al. .
- 4,781,289 11/1988 Perkins .
- 4,961,494 10/1990 Alexander .
- 4,962,849 10/1990 Anderson .
- 5,011,006 4/1991 Anderson .
- 5,119,940 6/1992 Grindrod .
- 5,167,973 12/1992 Snyder .
- 5,277,920 1/1994 Weaver, Jr. .
- 5,375,701 12/1994 Hustad et al. .
- 5,381,901 1/1995 Hundley .
- 5,503,858 4/1996 Reskow .
- 5,598,944 2/1997 Aragona .
- 5,657,873 8/1997 Hustad et al. .
- 5,657,874 8/1997 Hustad et al. .
- 5,747,084 5/1998 Cochran et al. .
- 5,853,105 12/1998 Roman et al. .
- 5,857,583 1/1999 Chantaca et al. .

Primary Examiner—M. N. Pandozzi  
Attorney, Agent, or Firm—Carstens, Yee & Cahoon; Colin P. Cahoon

## [56] References Cited

### U.S. PATENT DOCUMENTS

- D. 166,735 5/1952 Chaplin ..... D7/555
- D. 233,581 11/1974 Bridges et al. .... D7/553.4
- D. 284,157 6/1986 Morr ..... D9/347
- D. 335,442 5/1993 Detert et al. .
- D. 366,187 1/1996 Van Den Kieboom ..... D7/555 X
- D. 366,828 2/1996 Bachand et al. .
- D. 379,301 5/1997 Lippincott .
- D. 381,264 7/1997 Lippincott .
- D. 386,075 11/1997 Hayes et al. .... D9/341
- D. 393,798 4/1998 Joswick .
- D. 398,481 9/1998 Brown et al. .... D7/555 X
- D. 404,218 1/1999 Sussman ..... D7/553.4 X
- 2,843,287 7/1958 Finley ..... D7/553.4
- 3,037,677 6/1962 Debs .
- 3,651,930 3/1972 Artz .
- 3,726,395 4/1973 Duhy .
- 4,202,464 5/1980 Mohs et al. .
- 4,286,136 8/1981 Mason, Jr. .
- 4,568,017 2/1986 Grunert .
- 4,702,368 10/1987 Jones .

## [57] CLAIM

The ornamental design for a chip and dip tray, as shown.

### DESCRIPTION

FIG. 1 is a perspective view of the chip and dip tray of the present invention;  
 FIG. 2 is an end view in elevation of the chip and dip tray of FIG. 1 as seen from the left-hand side of FIG. 1;  
 FIG. 3 is a side view in elevation of the chip and dip tray of FIG. 1 as seen from the right-hand side of FIG. 1;  
 FIG. 4 is an end view in elevation of the chip and dip tray of FIG. 1 as seen from the right-hand side of FIG. 1;  
 FIG. 5 is a side view in elevation of the chip and dip tray of FIG. 1 as seen from the left-hand side of FIG. 1;  
 FIG. 6 is a top plan view in elevation of the chip and dip tray of FIG. 1; and,  
 FIG. 7 is a bottom plan view in elevation of the chip and dip tray of FIG. 1.

1 Claim, 2 Drawing Sheets

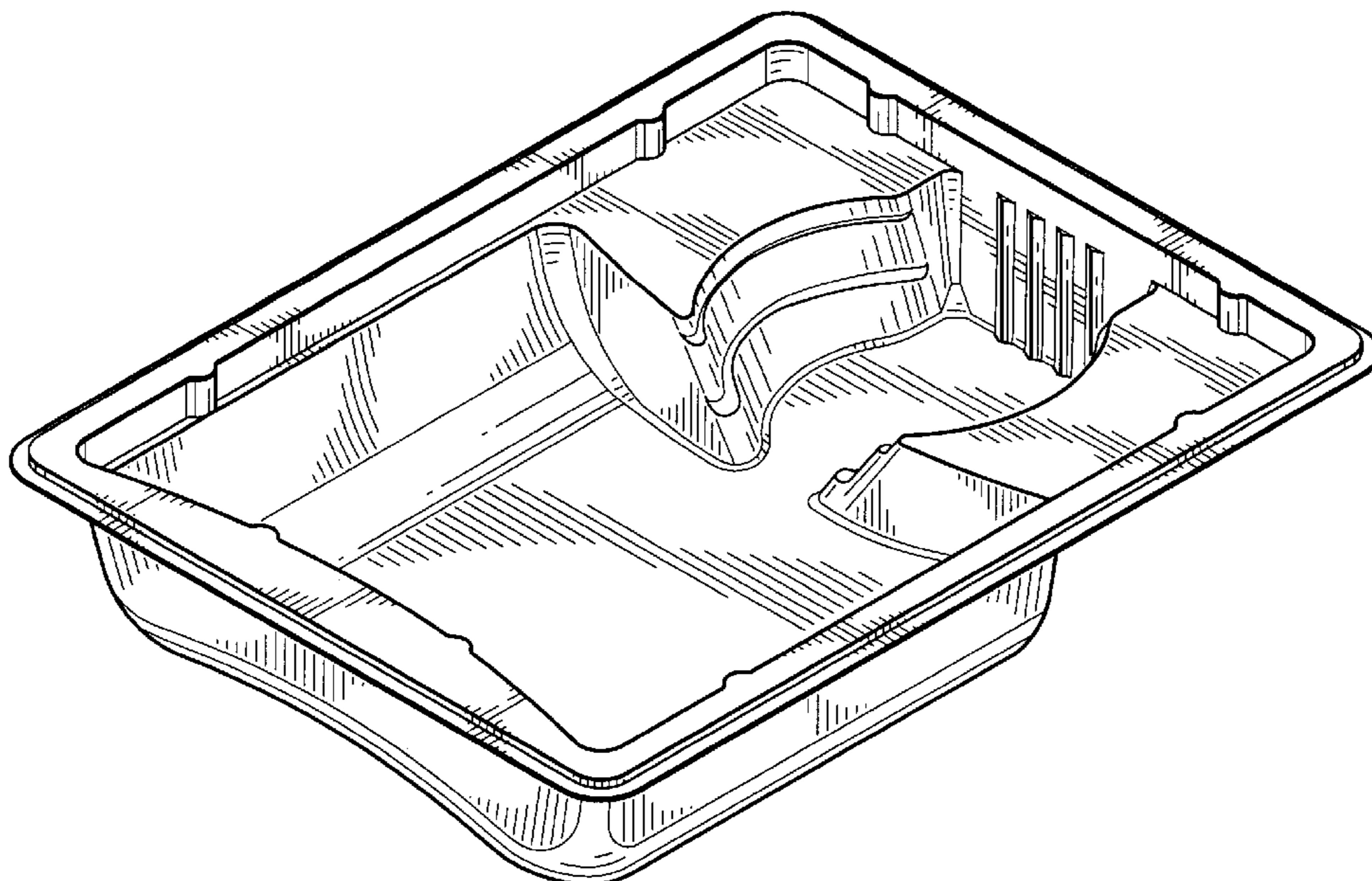


FIG. 1

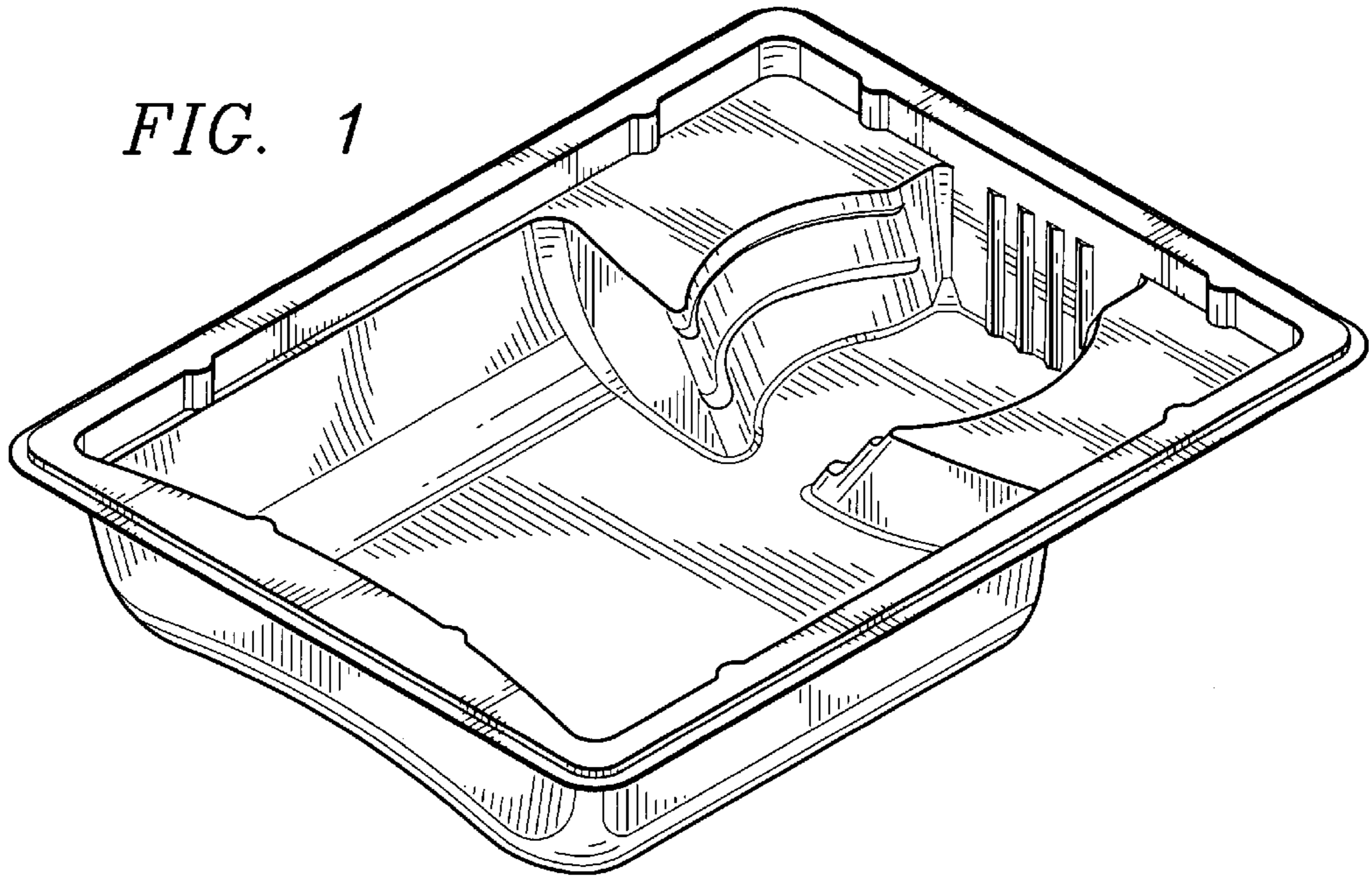


FIG. 2

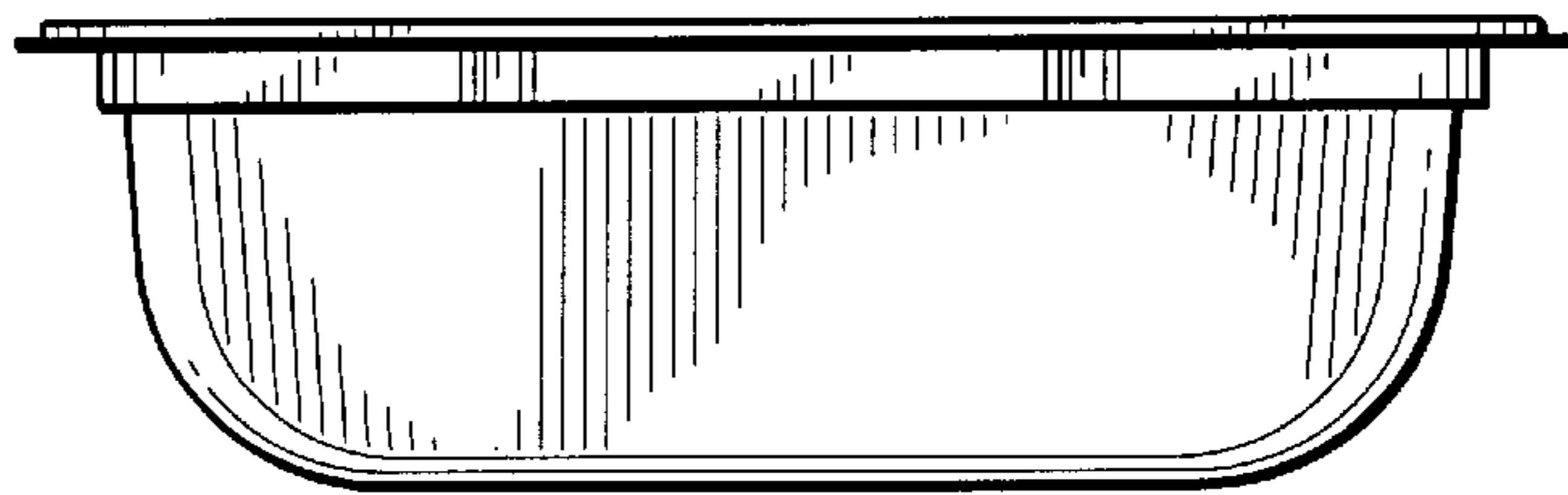


FIG. 3

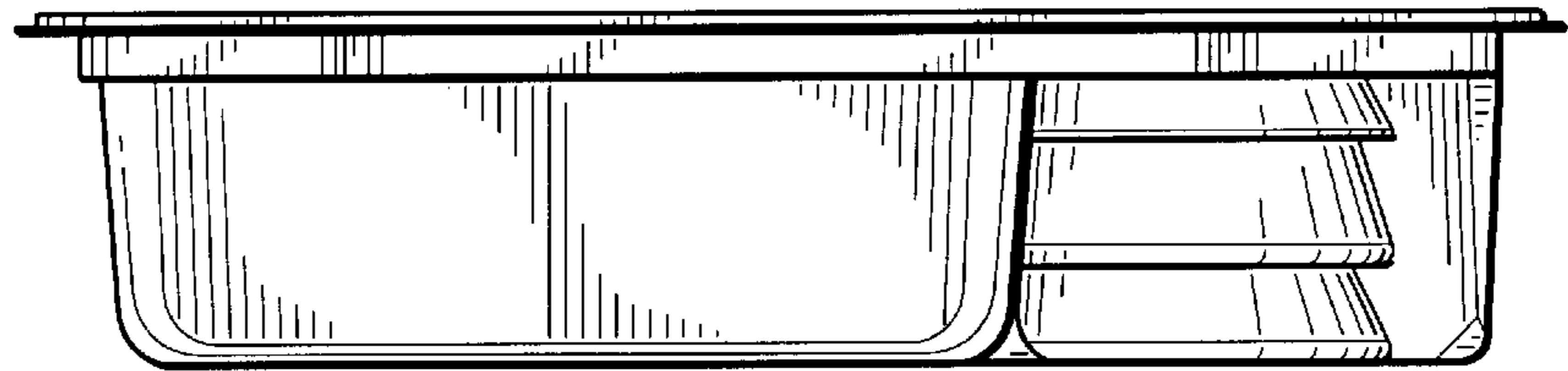


FIG. 4

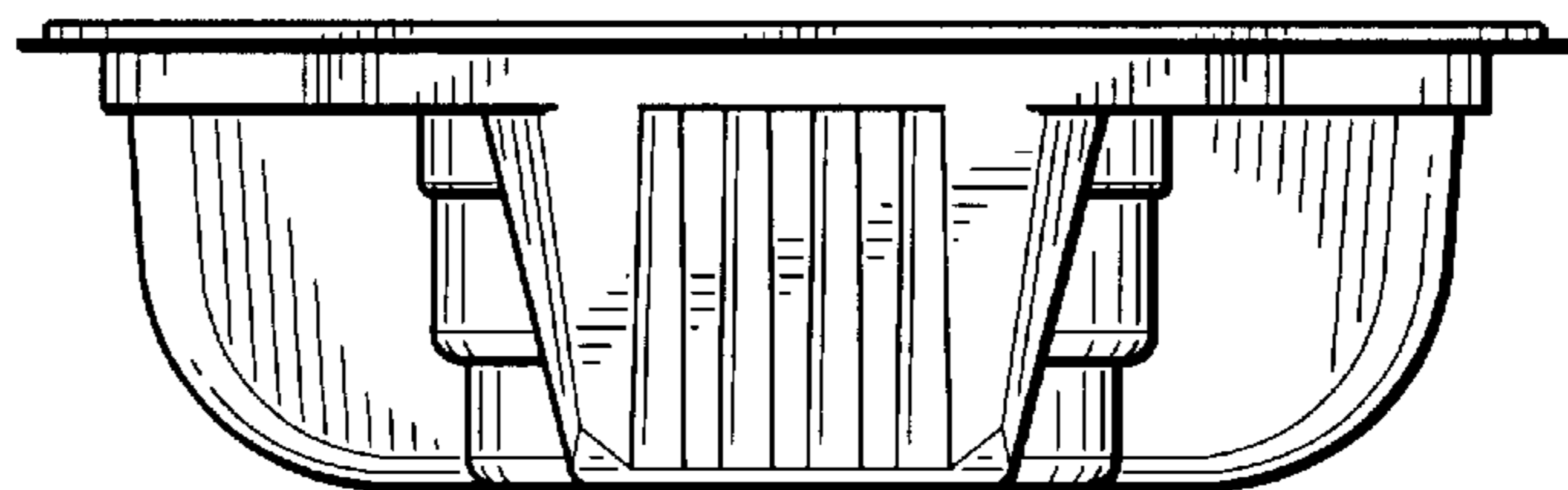


FIG. 5

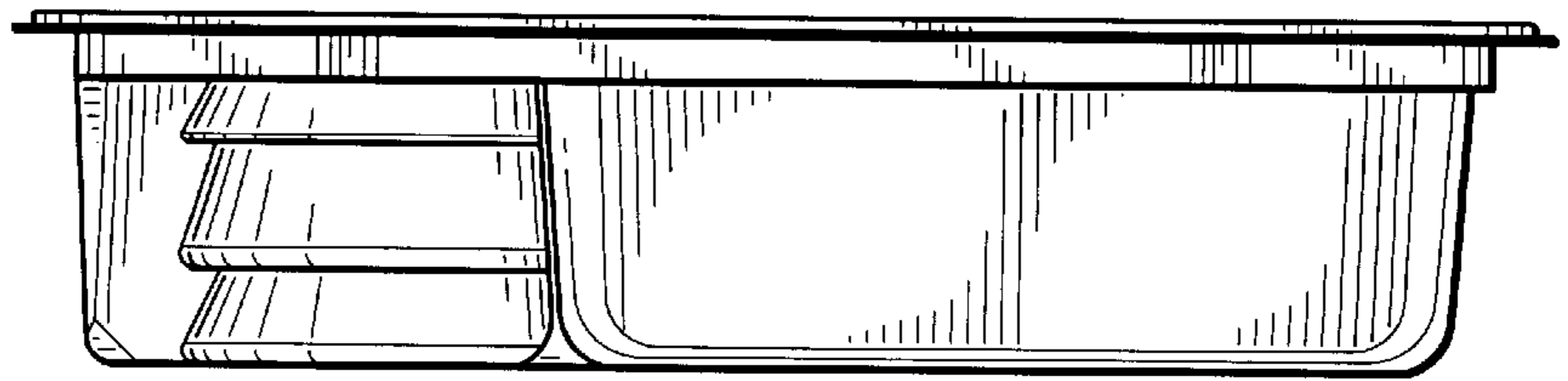


FIG. 6

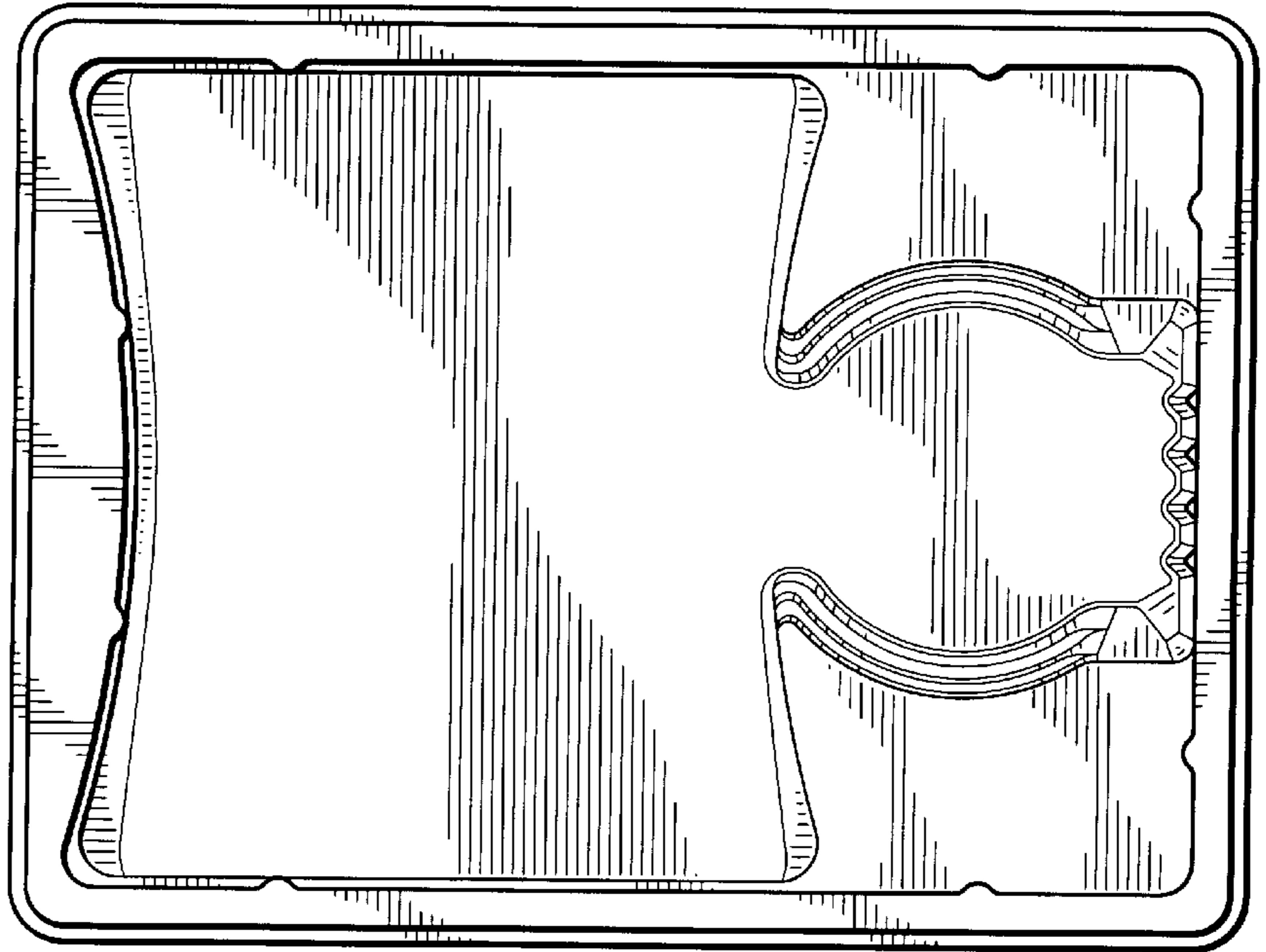


FIG. 7

