



US00D429961S

United States Patent [19] Harris

[11] **Patent Number: Des. 429,961**

[45] **Date of Patent: ** Aug. 29, 2000**

[54] **COMBINATION LID AND BOWL**

D. 384,555 10/1997 Bradley D7/545
D. 402,850 12/1998 Davis et al. D7/543

[75] Inventor: **Robert Harris**, Northbrook, Ill.

OTHER PUBLICATIONS

[73] Assignee: **The Pampered Chef, Ltd.**, Addison, Ill.

The Pampered Chef, Spring/Summer 1996 catalog; p. 7 #1450 Stoneware Baking Bowl.
Mouli, untitled catalog; p. 14, Clay Breadpan (Sep. 1992).

[**] Term: **14 Years**

Primary Examiner—Antoine Duval Davis
Attorney, Agent, or Firm—Olson & Hierl, Ltd.

[21] Appl. No.: **29/110,118**

[22] Filed: **Aug. 31, 1999**

[57] CLAIM

[51] **LOC (7) Cl.** **07-01**

The ornamental design for a combination lid and bowl, as shown and described.

[52] **U.S. Cl.** **D7/540**

[58] **Field of Search** D7/550.1, 546, D7/586, 554.3, 540, 558, 554.4, 500, 587, 554.2, 397, 392.1, 553, 566, 601, 602, 641; 206/562, 538, 561, 564, 508, 511; 220/574, 575, 212, 605, 23.8, 23.83, 556, 628, 675

DESCRIPTION

[56] References Cited

U.S. PATENT DOCUMENTS

D. 287,559 1/1987 Daenen et al. D7/543
D. 289,844 5/1987 Daenen et al. D7/543
D. 363,662 10/1995 Plater D7/500

FIG. 1 is a perspective view of the inventive design for a combination lid and bowl;
FIG. 2 is a perspective view of the FIG. 1 design in its bowl orientation;
FIG. 3 is a top plan view of the FIG. 1 design;
FIG. 4 is a side elevational view of the FIG. 1 design;
FIG. 5 is a front end view of the FIG. 1 design; and,
FIG. 6 is a top plan view of the FIG. 1 design in the bowl orientation of FIG. 2.

1 Claim, 3 Drawing Sheets

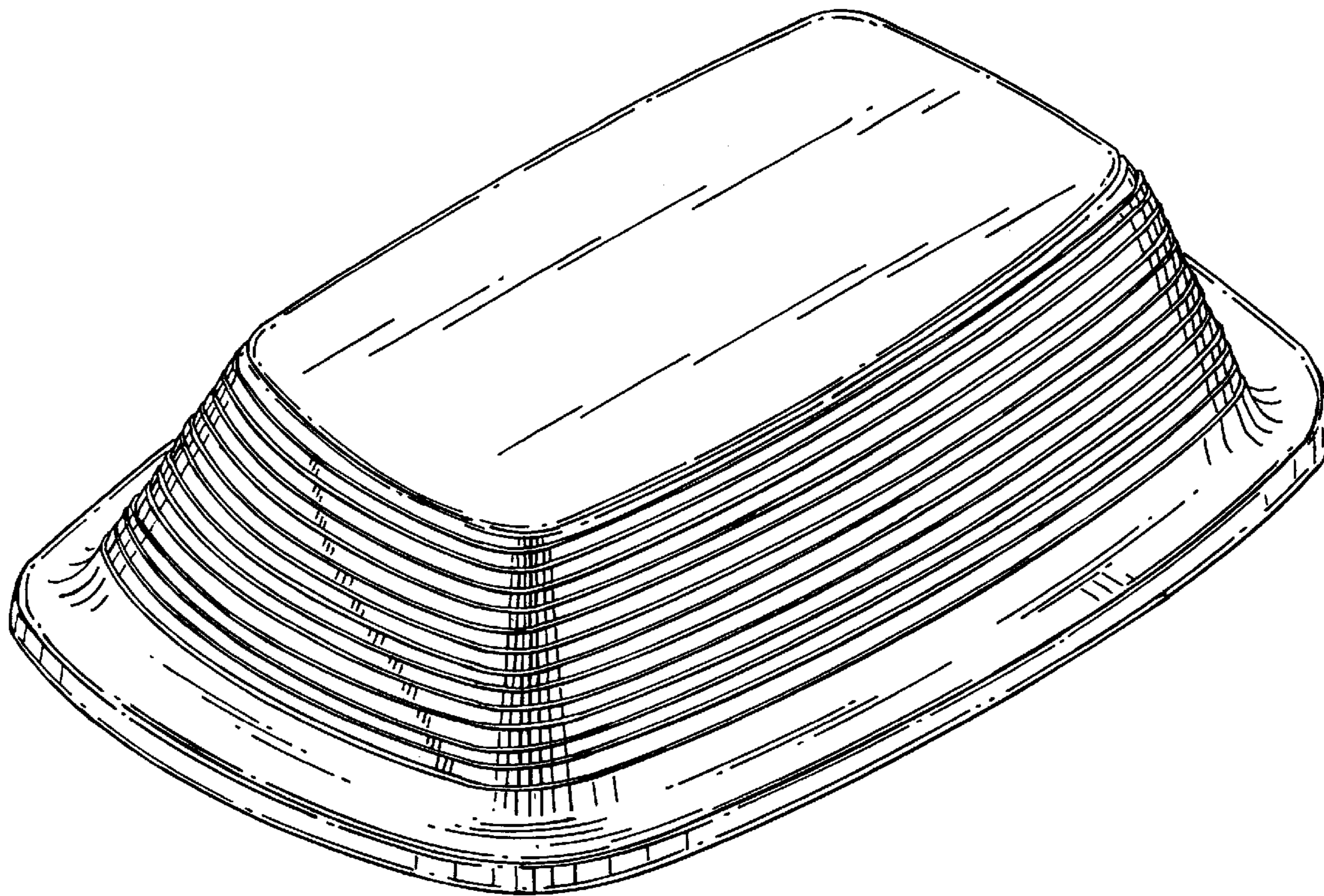


FIG. 1

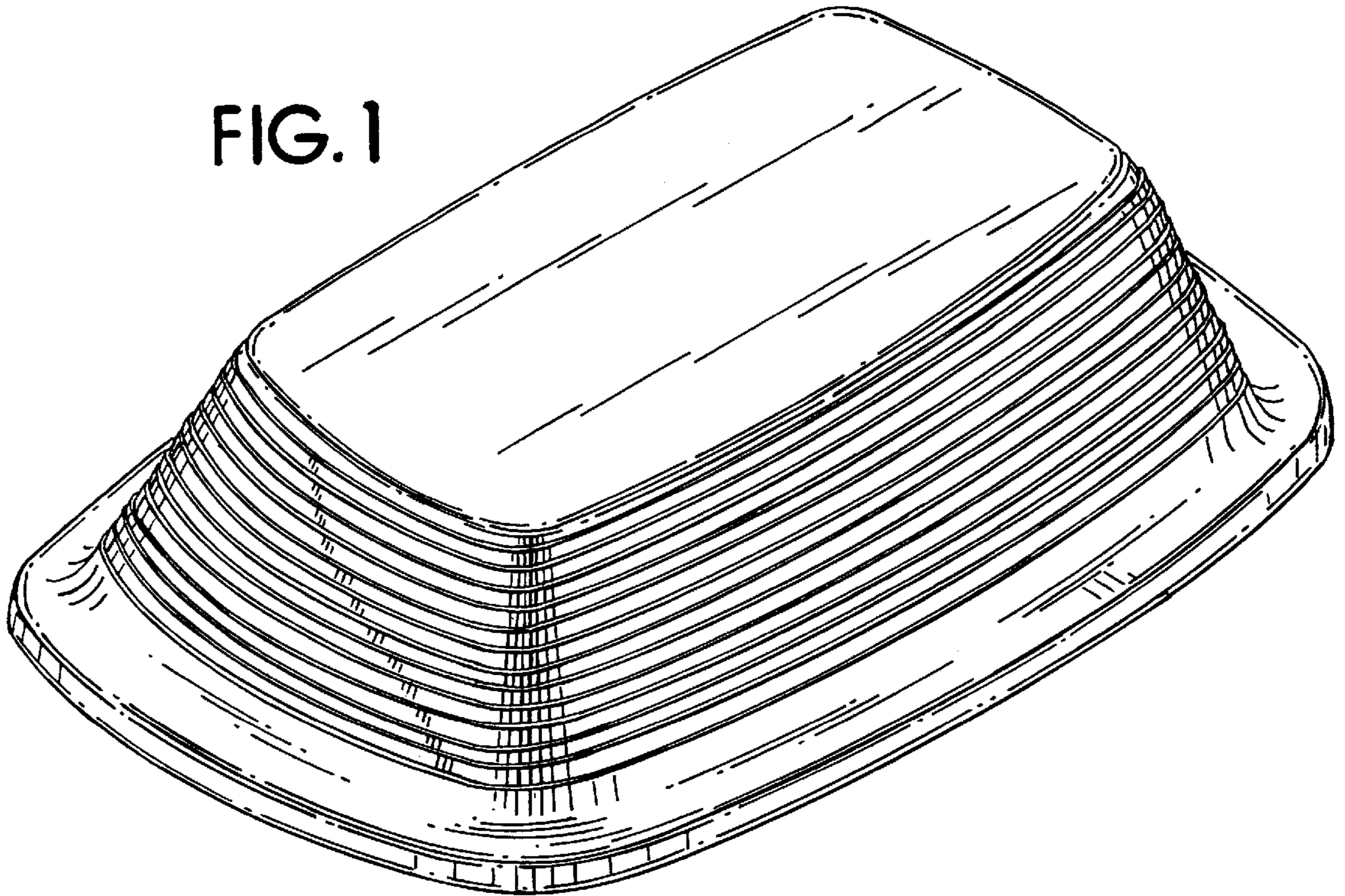


FIG. 2

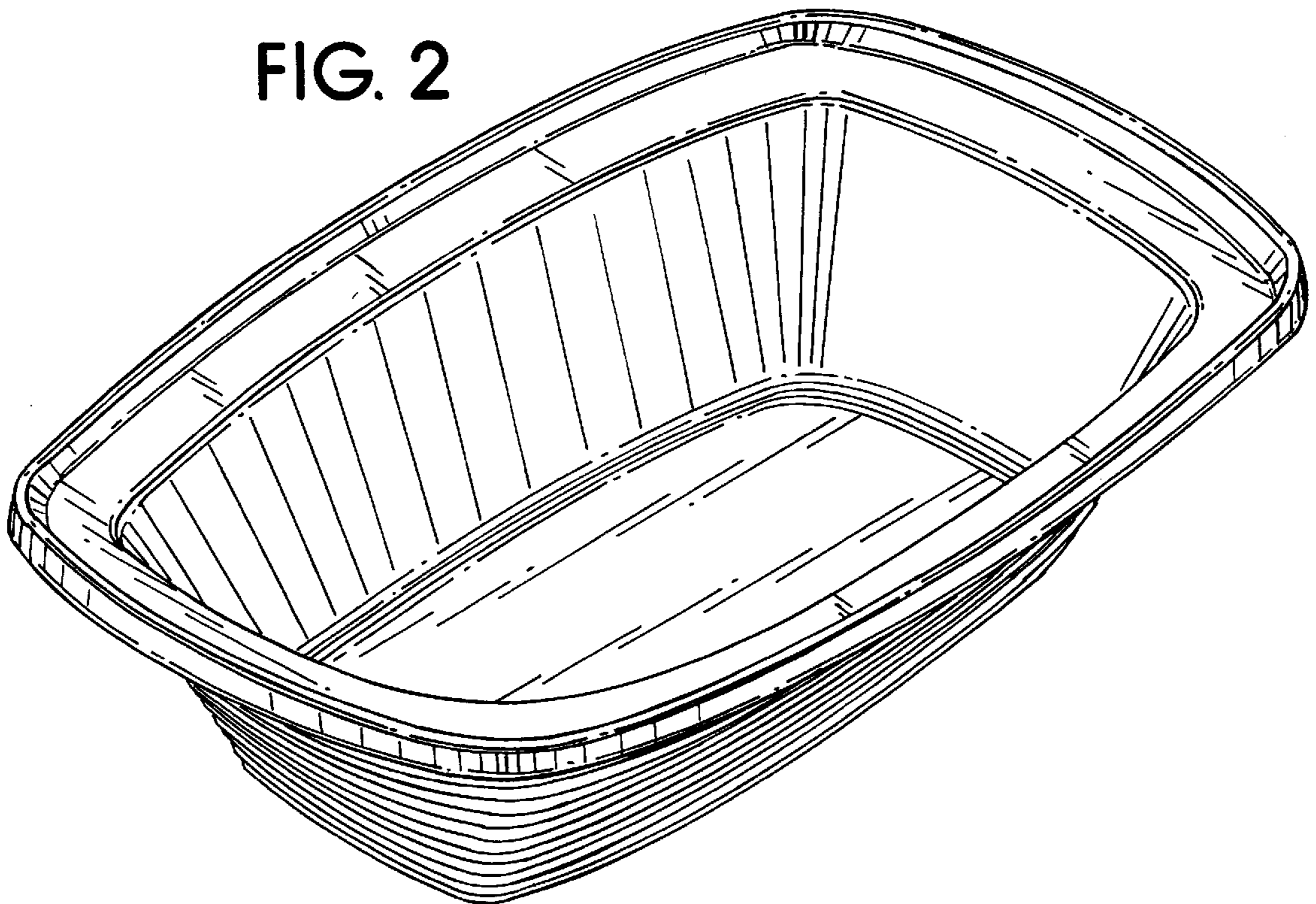


FIG. 3

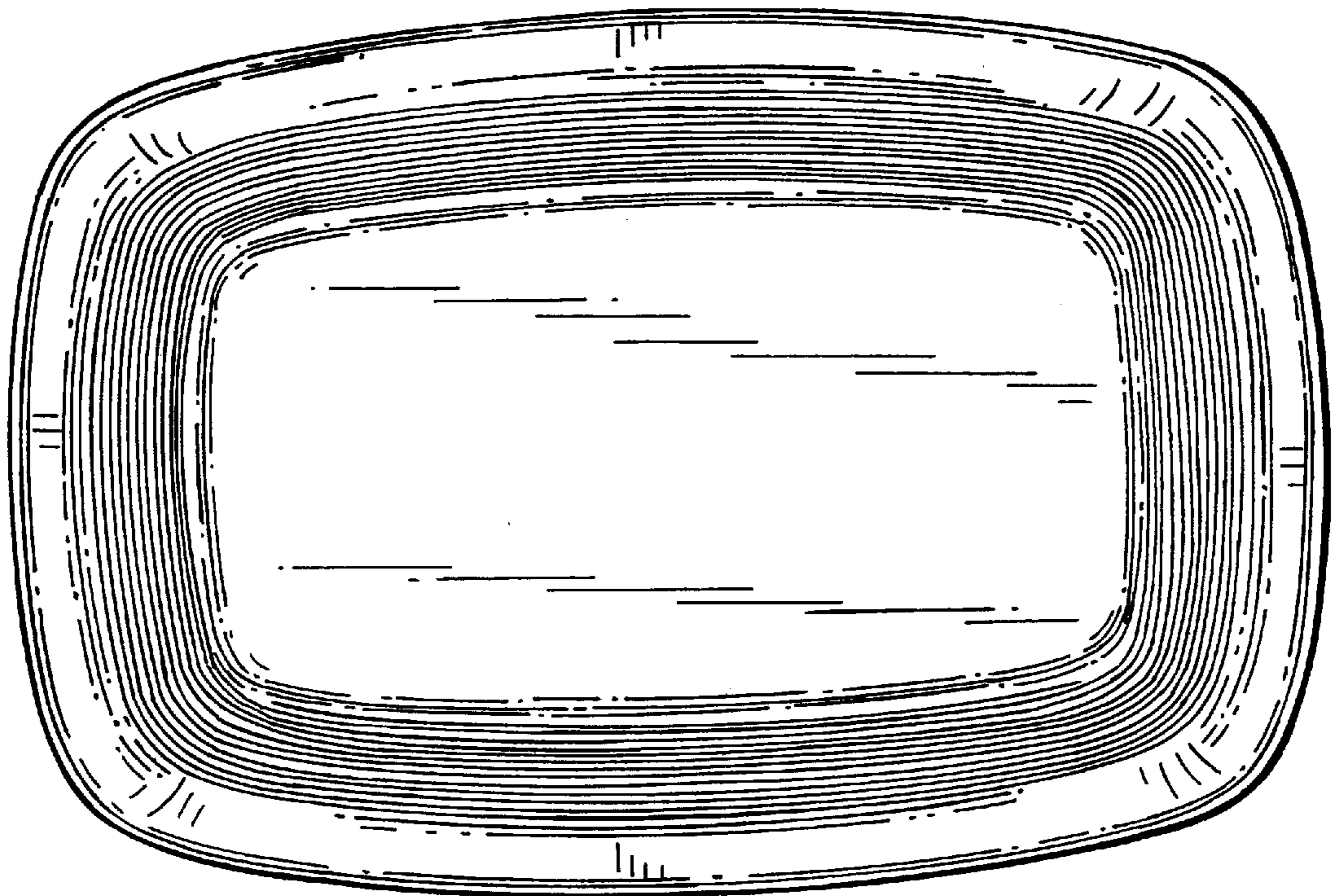


FIG. 4

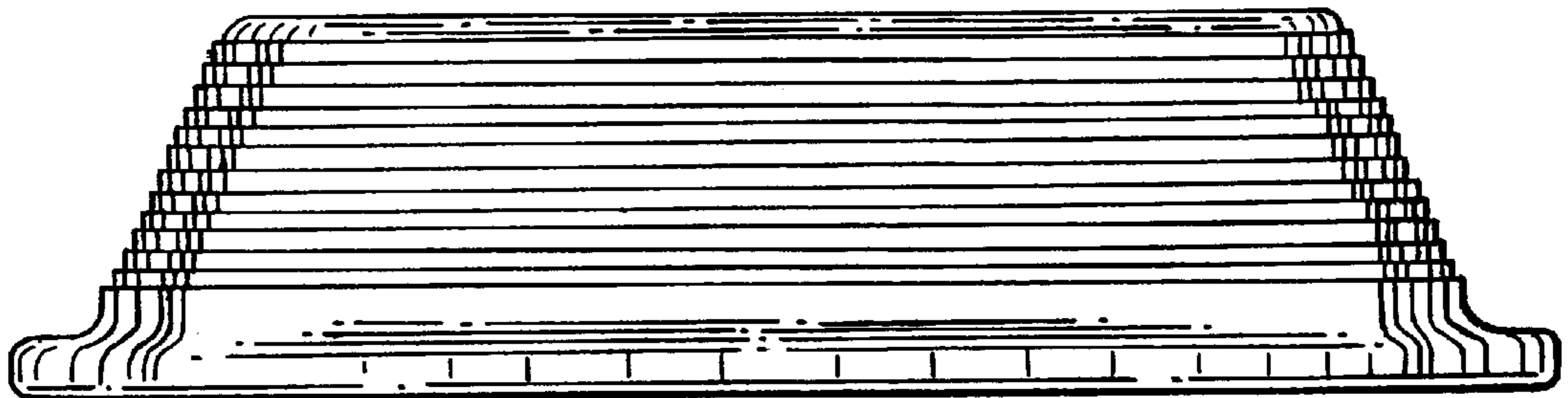


FIG. 5

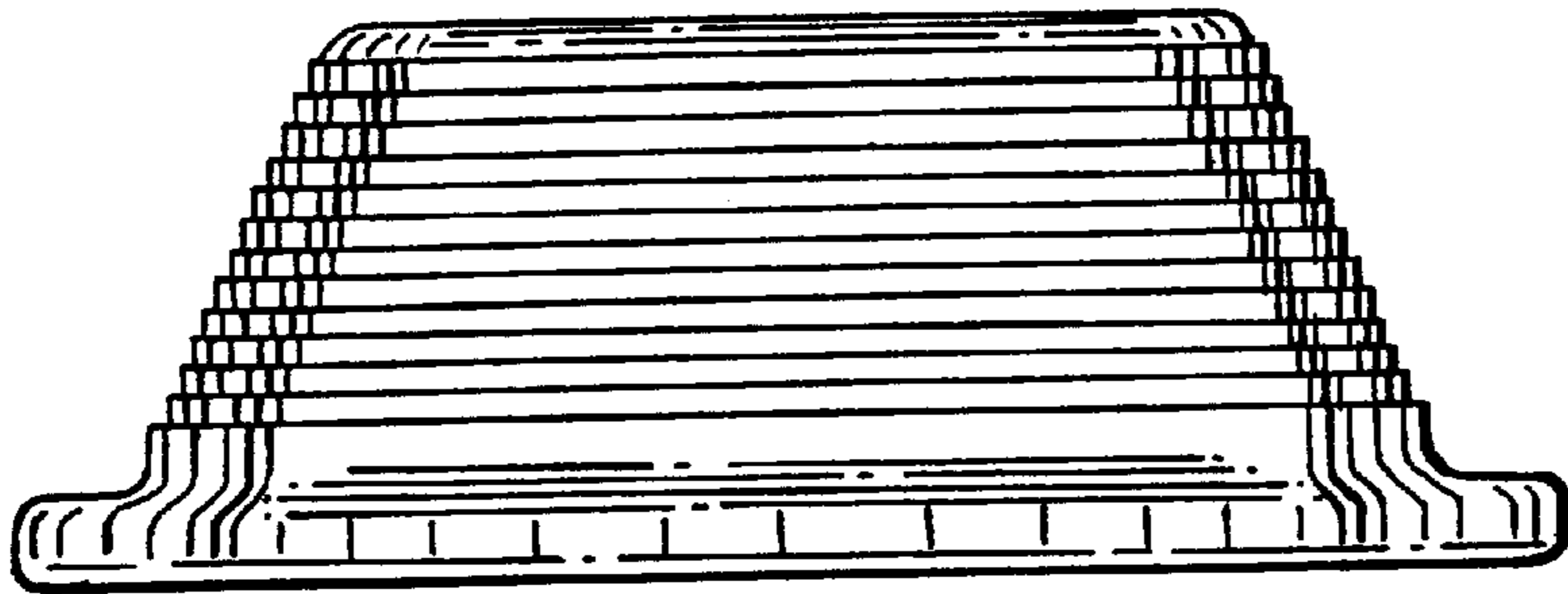


FIG. 6

