



US00D429952S

United States Patent [19] Cragg

[11] Patent Number: Des. 429,952

[45] Date of Patent: ** Aug. 29, 2000

[54] BARBECUE GRILL SHAPED LIKE BOTTLE CAPS

[76] Inventor: Brandon Cragg, 119 Merriam Ave.,
Newton, N.J. 07860

[**] Term: 14 Years

[21] Appl. No.: 29/111,130

[22] Filed: Sep. 22, 1999

[51] LOC (7) Cl. 07-02

[52] U.S. Cl. D7/402; D7/332

[58] Field of Search D7/331-337, 402-403;
26/25 R, 25 A, 25 AA, 9 R, 29-30, 39 R,
41 R; 99/419, 421 R; D9/516, 453-454;
215/252, 216

[56] **References Cited**

U.S. PATENT DOCUMENTS

D. 48,033	10/1915	Kaye	D9/453
D. 111,097	8/1938	White	29/514
D. 279,803	7/1985	Manning	D21/443
D. 298,147	10/1988	Tesla	D21/443
D. 351,795	10/1994	Ogden	D9/453
D. 356,871	3/1995	Dunn	D24/197

D. 385,146	10/1997	Fielding et al.	D7/332
D. 396,599	8/1998	Smith, Jr.	D7/332
D. 415,684	10/1999	Reidenbach	D9/453
D. 418,756	1/2000	Reidenbach	D9/452
D. 418,757	1/2000	Reidenbach	D9/453
3,767,077	10/1973	Rhoades	215/252

Primary Examiner—Ruth McInroy
Attorney, Agent, or Firm—Robert M. Downey, P.A.

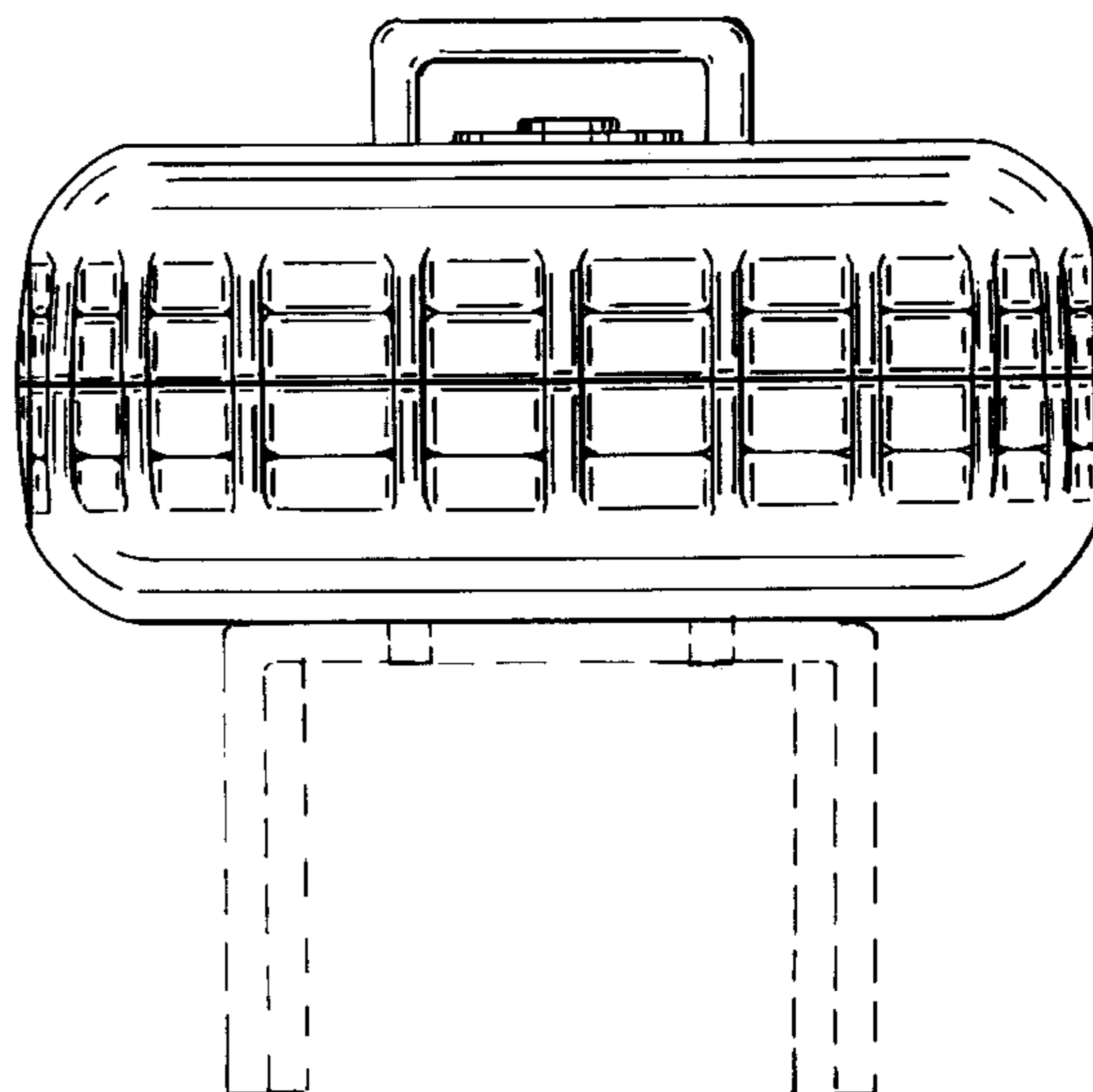
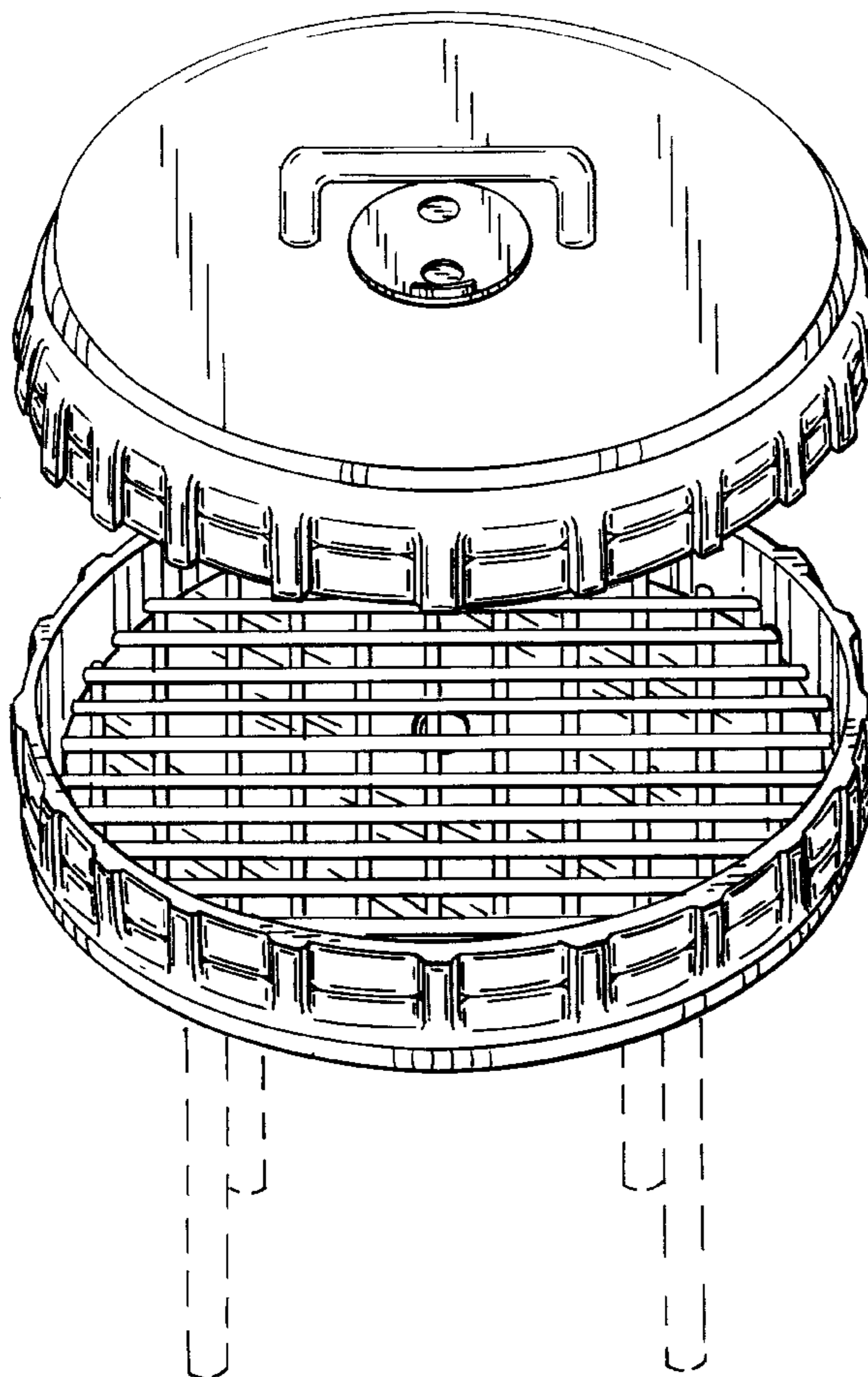
[57] **CLAIM**

The ornamental design for a barbecue grill shaped like bottle caps, as shown and described.

DESCRIPTION

FIG. 1 is a top, front perspective view of a barbecue grill shaped like bottle caps showing my new design; FIG. 2 is a top plan view; FIG. 3 is a front elevational view thereof, the rear elevational view being identical thereto; FIG. 4 is a bottom plan view thereof; and, FIG. 5 is a right side elevational view thereof, the left side elevational view being identical thereto. The broken lines showing the support legs are for illustrative purposes only and form no part of the claimed design.

1 Claim, 3 Drawing Sheets



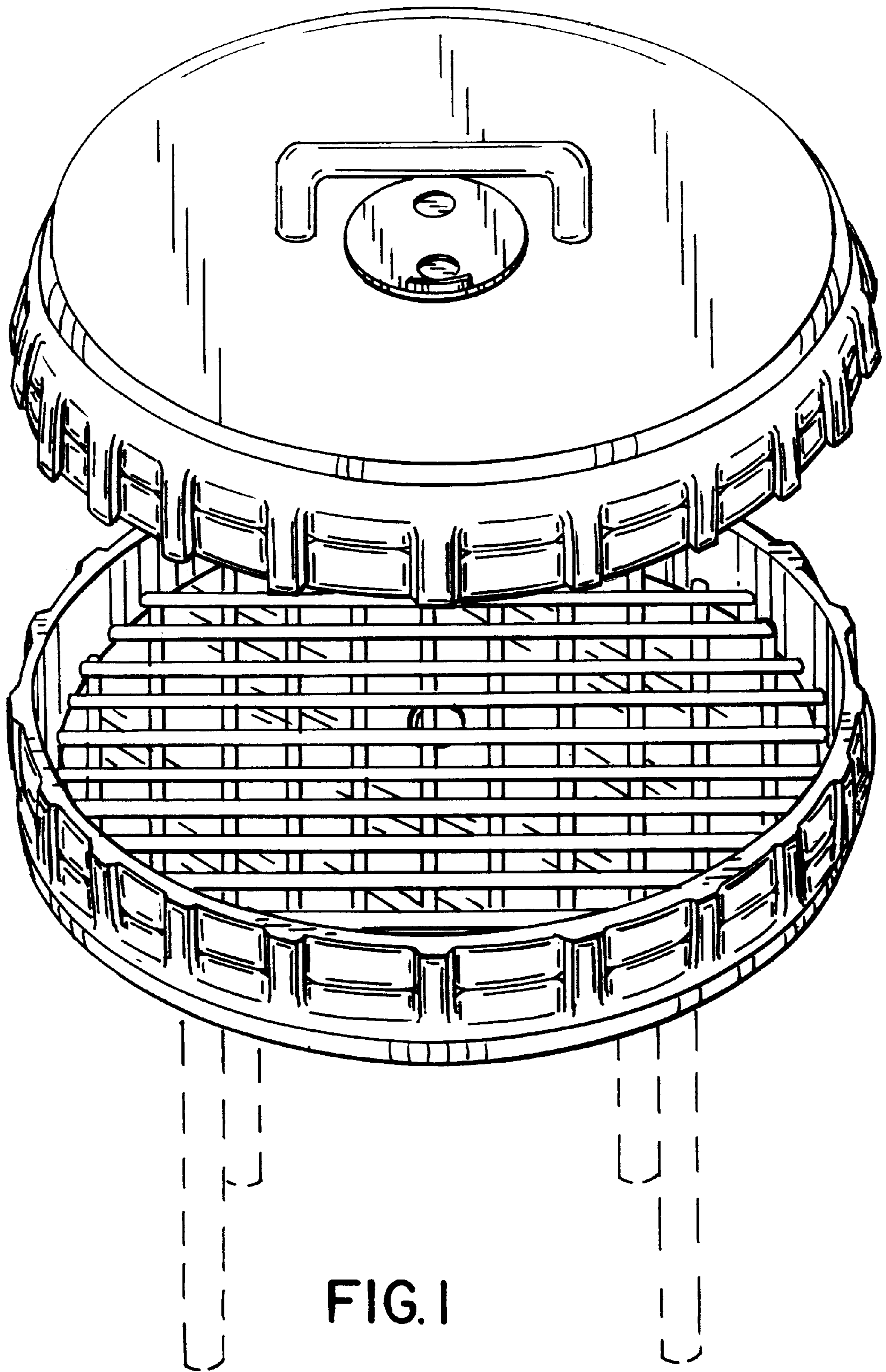


FIG. 1

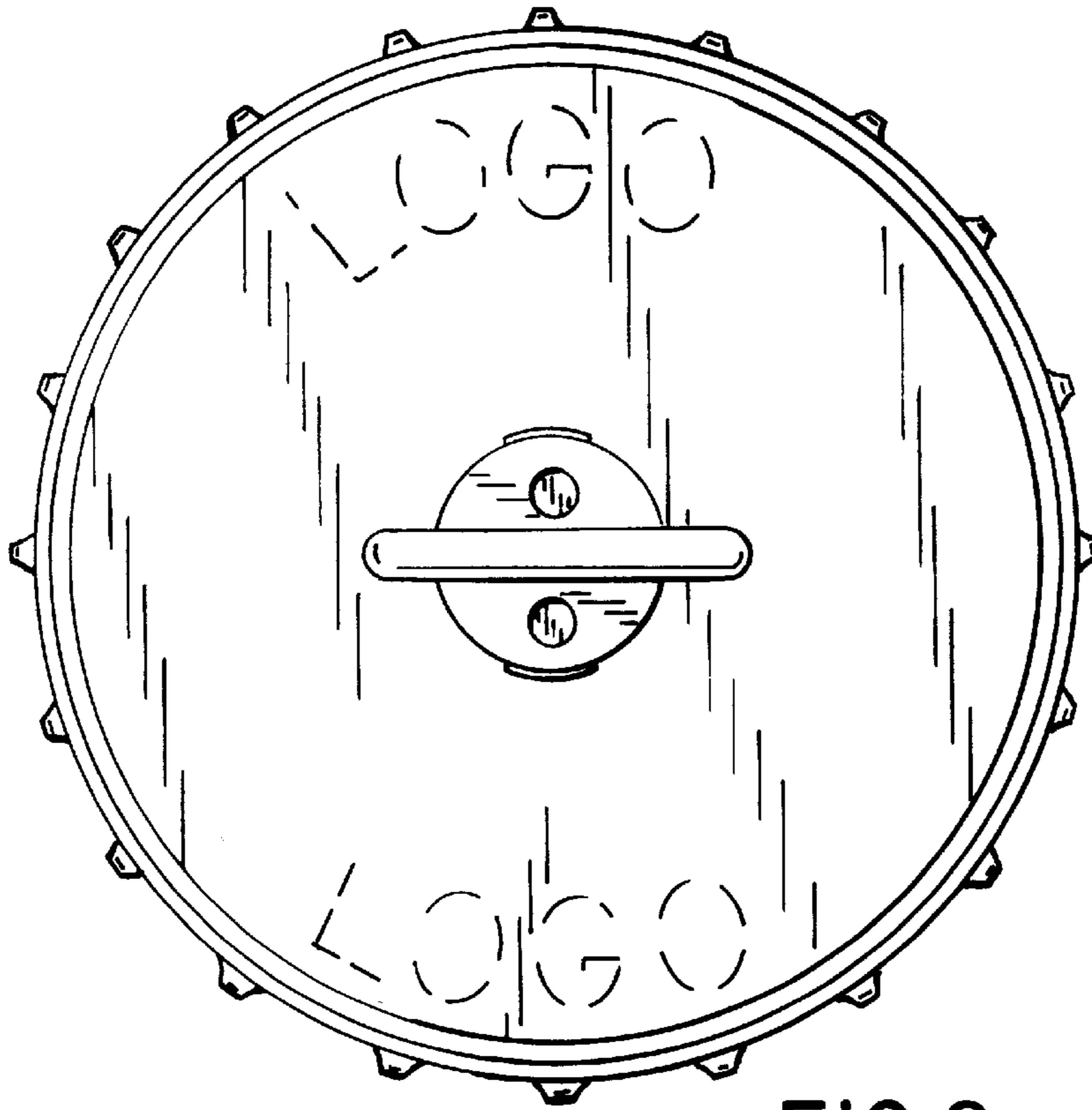


FIG. 2

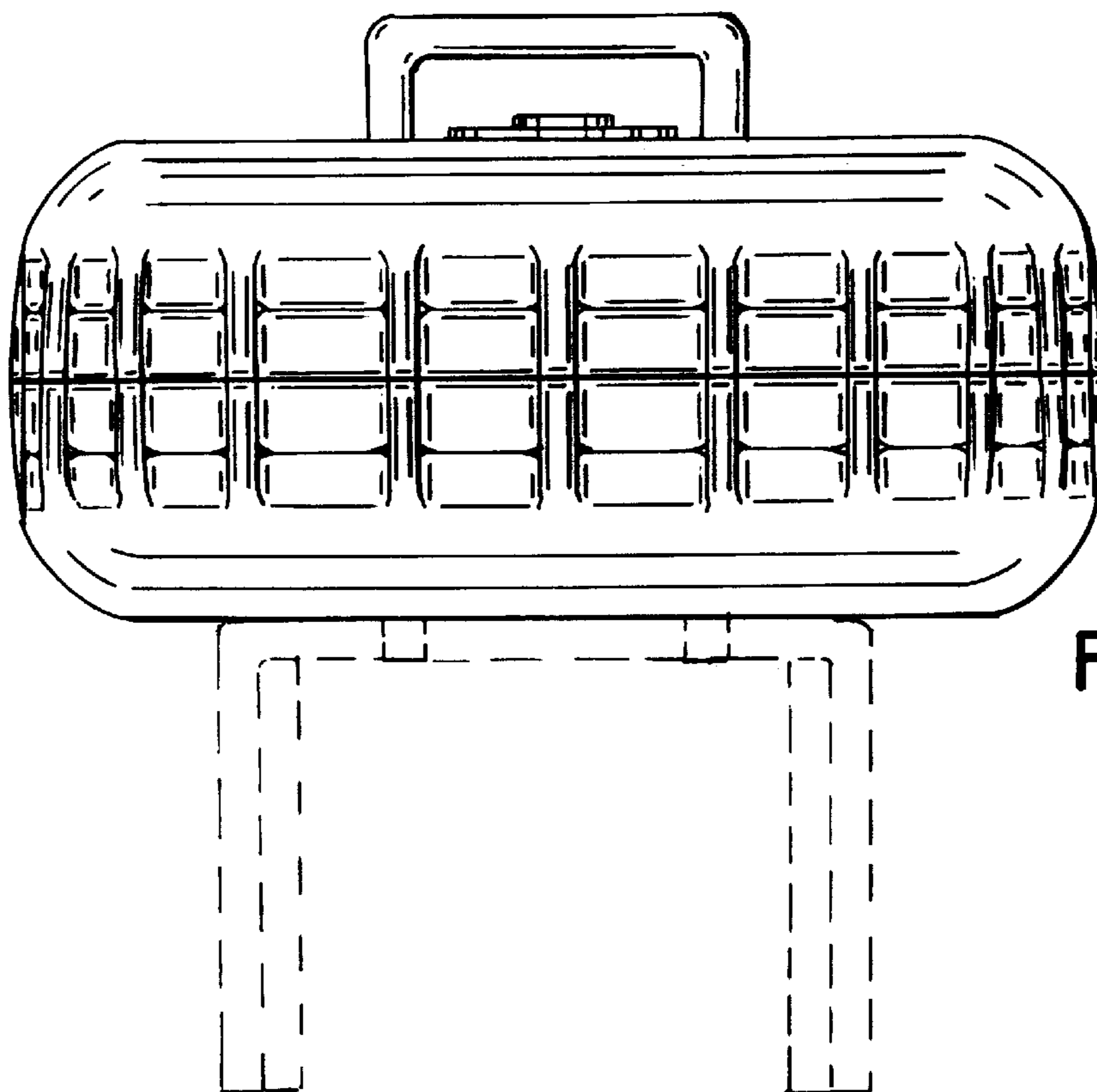


FIG. 3

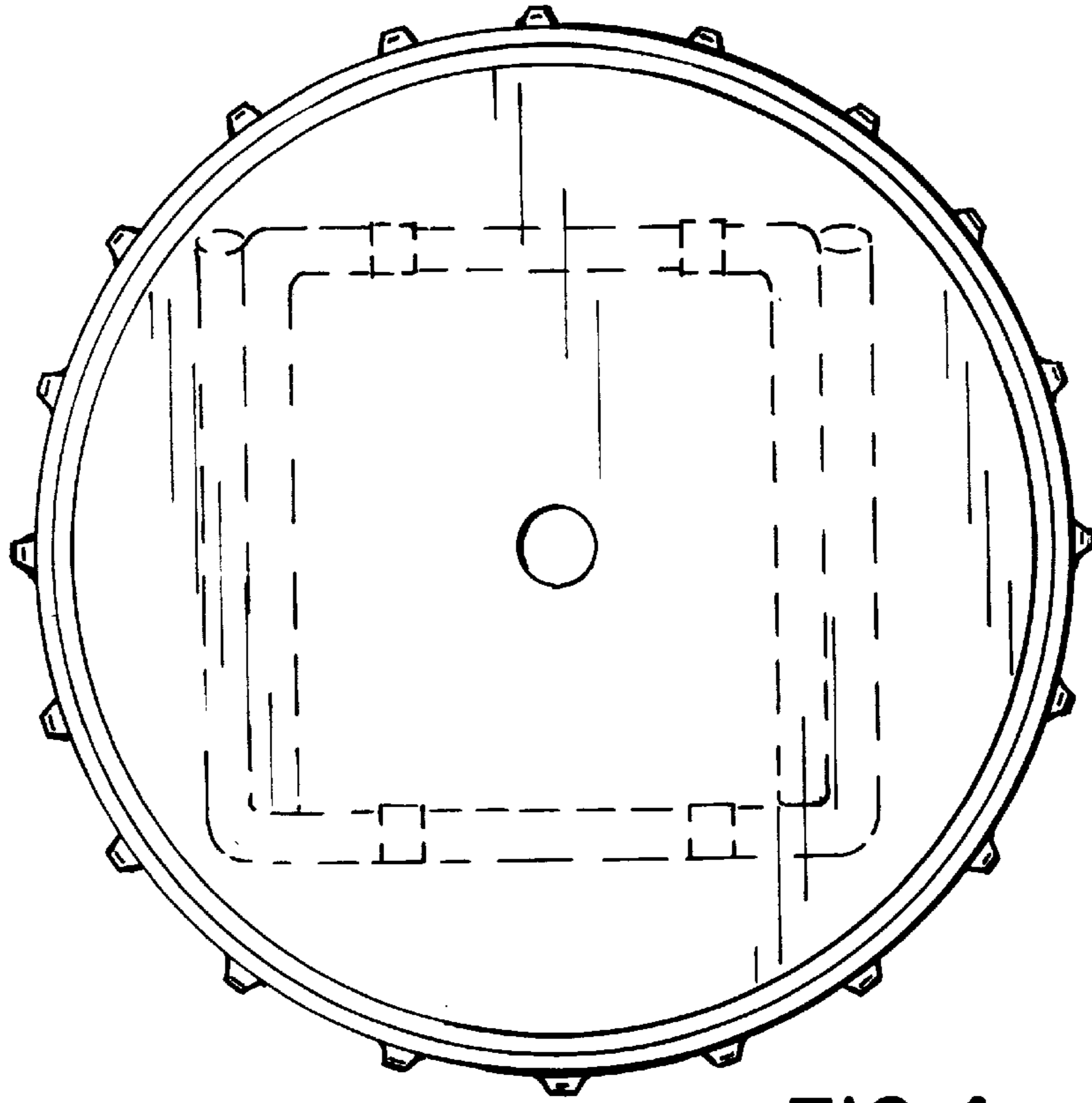


FIG. 4

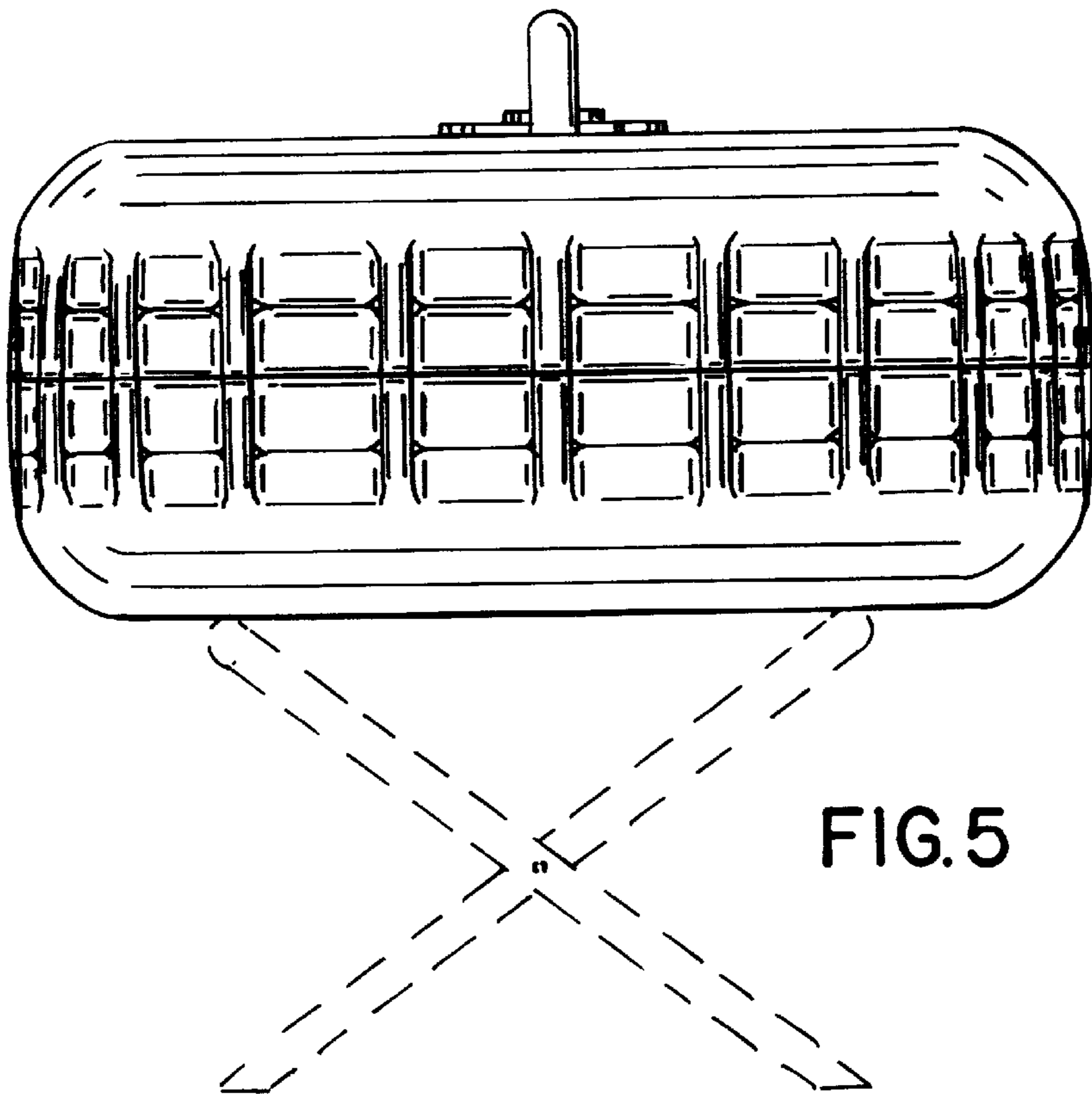


FIG. 5