



US00D429948S

United States Patent [19]

[11] **Patent Number: Des. 429,948**

Tate et al.

[45] **Date of Patent: ** Aug. 29, 2000**

[54] **VENTED COVER FOR COOKING PAN**

Primary Examiner—Antoine Duval Davis
Attorney, Agent, or Firm—Michael A. Glenn

[75] Inventors: **Fukue K. Tate; John R. Tate**, both of San Francisco, Calif.

[57] **CLAIM**

[73] Assignees: **John Tate; Fukue Tate**, both of San Francisco, Calif.

The ornamental design for a vented cover for cooking pan, as shown and described.

[**] Term: **14 Years**

DESCRIPTION

[21] Appl. No.: **29/117,130**

FIG. 1 is an overhead perspective view of an ornamental design for a vented cover for cooking pan according to the invention;

[22] Filed: **Jan. 18, 2000**

FIG. 2 is right side view of an ornamental design for a vented cover for cooking pan according to the invention, the left side being a mirror image thereof;

[51] **LOC (7) Cl.** **07-01**

[52] **U.S. Cl.** **D7/392.1**

[58] **Field of Search** D7/392.1, 425-341, D7/510, 511, 316, 317, 321, 322, 703, 629, 396.2, 397, 398; D9/523-525, 589, 434-454; 220/200-202, 203.1-203.29, 367.1

FIG. 3 is a top view of an ornamental design for a vented cover for cooking pan according to the invention;

FIG. 4 is a front side view of an ornamental design for a vented cover for cooking pan according to the invention; and,

FIG. 5 is a back side view of an ornamental design for a vented cover for cooking pan according to the invention.

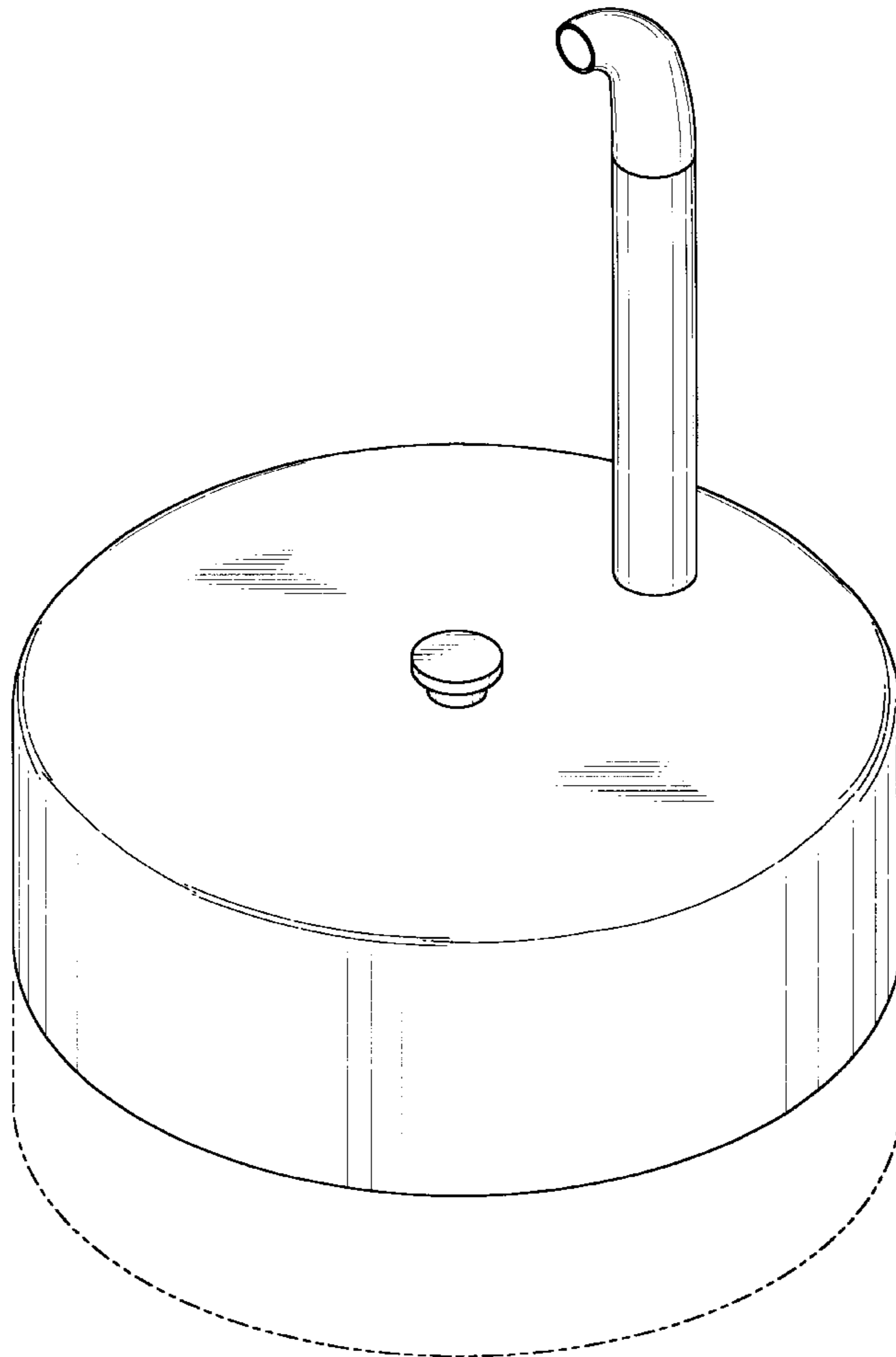
The broken line showing is for illustrative purposes only and forms no part of the claimed design.

[56] **References Cited**

U.S. PATENT DOCUMENTS

D. 315,474 3/1991 Turner D7/545
5,750,967 3/1991 Sprauer, Jr. 220/200

1 Claim, 4 Drawing Sheets



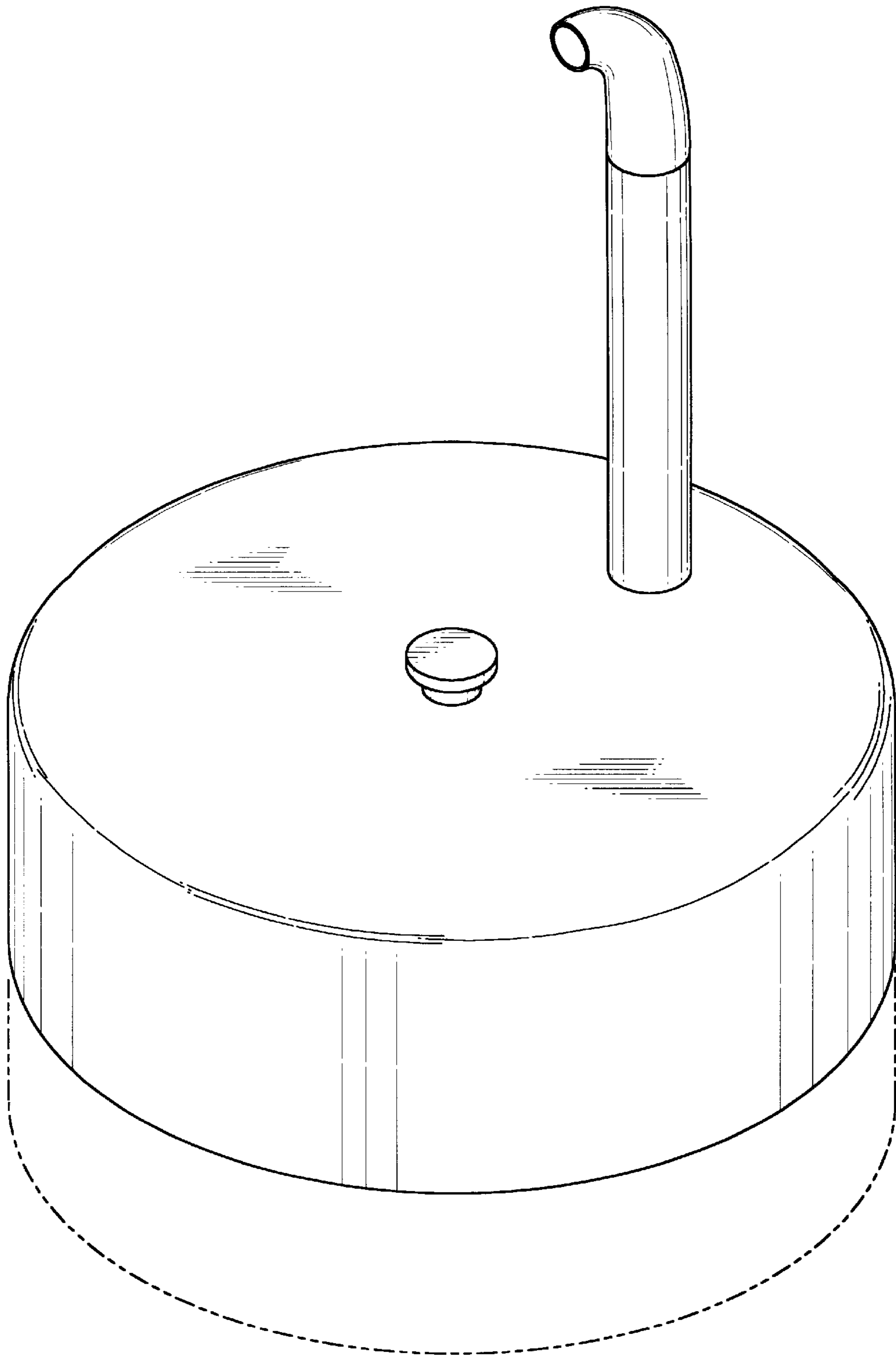


FIG. 1

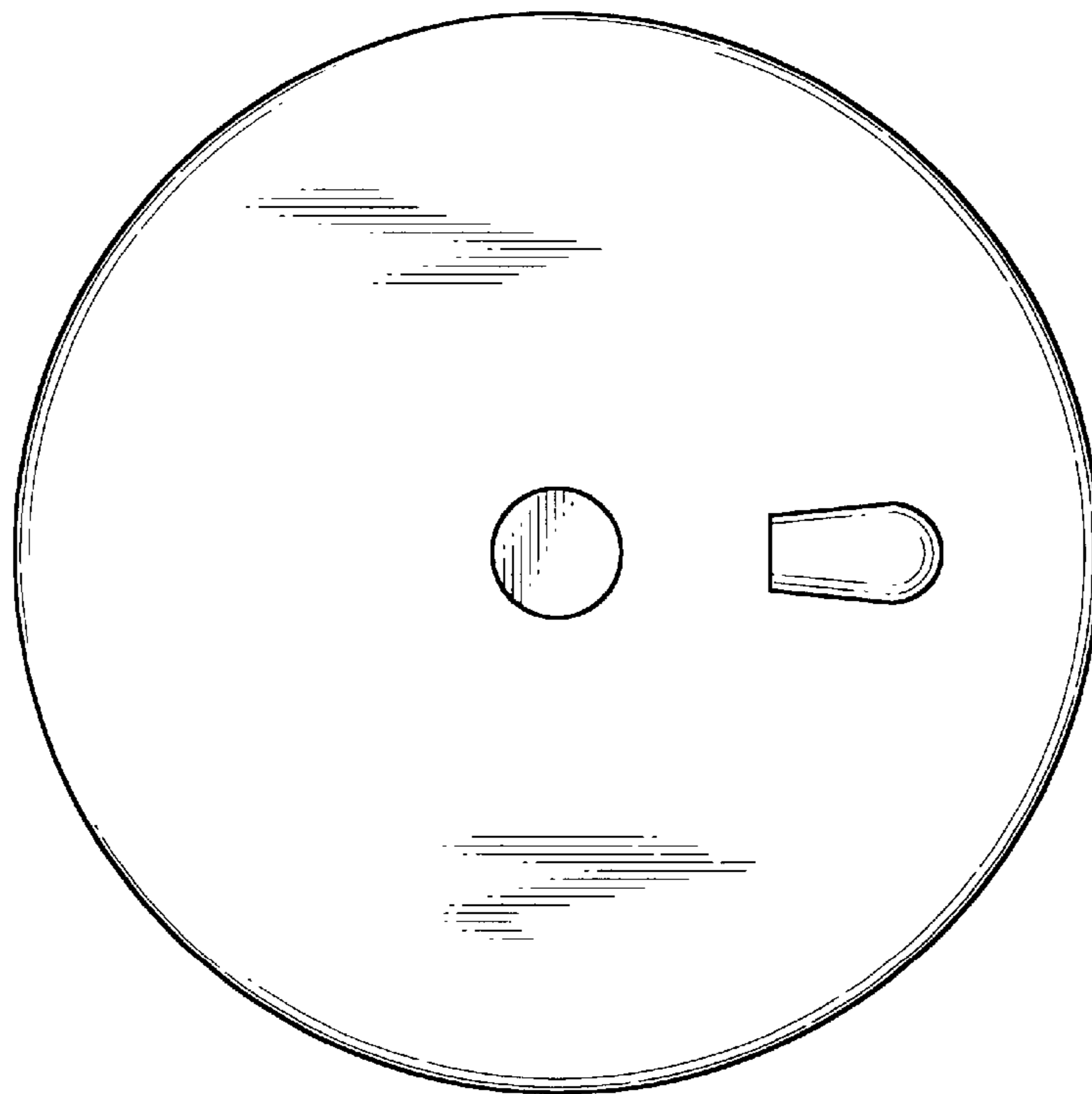


FIG. 3

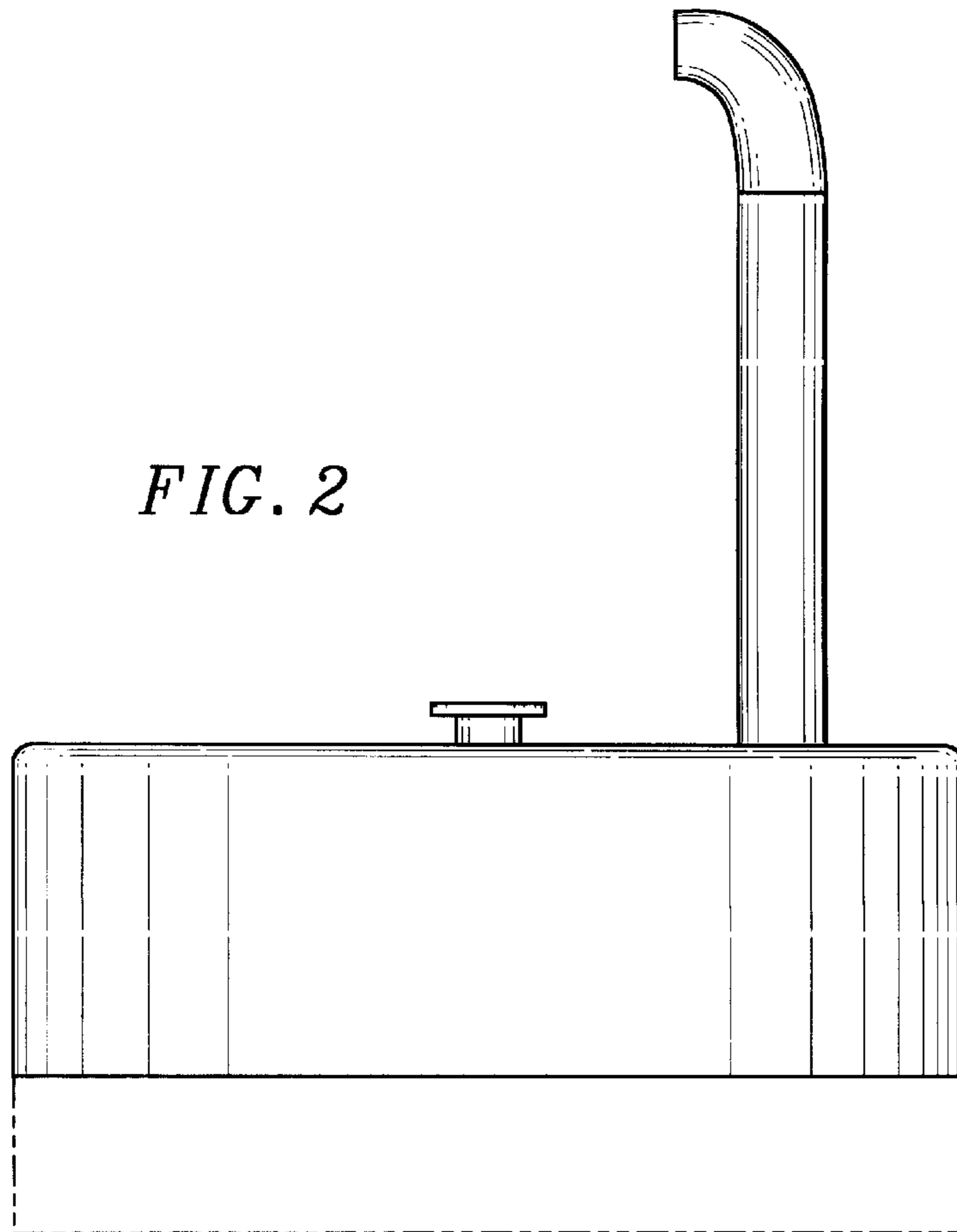


FIG. 2

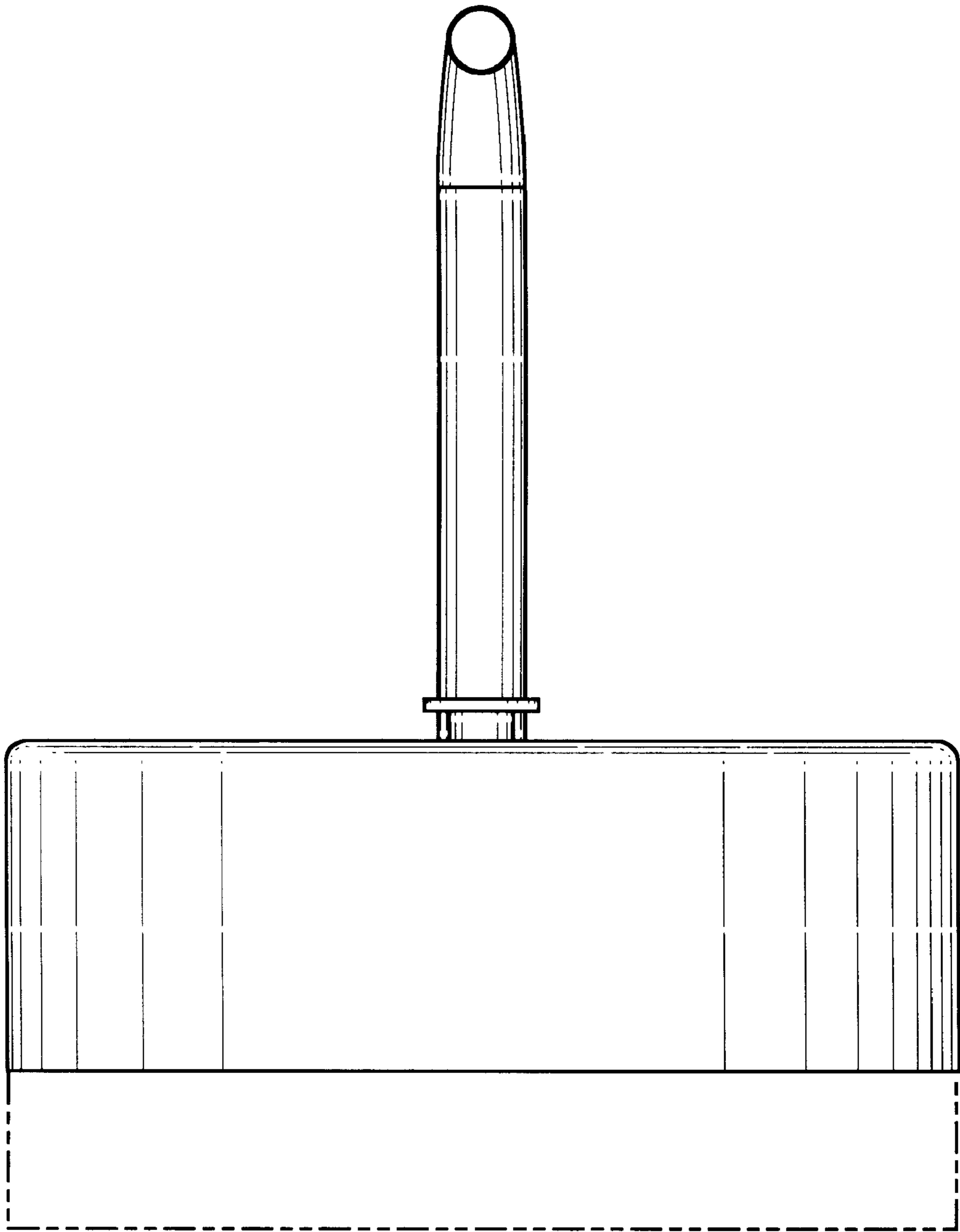


FIG. 4

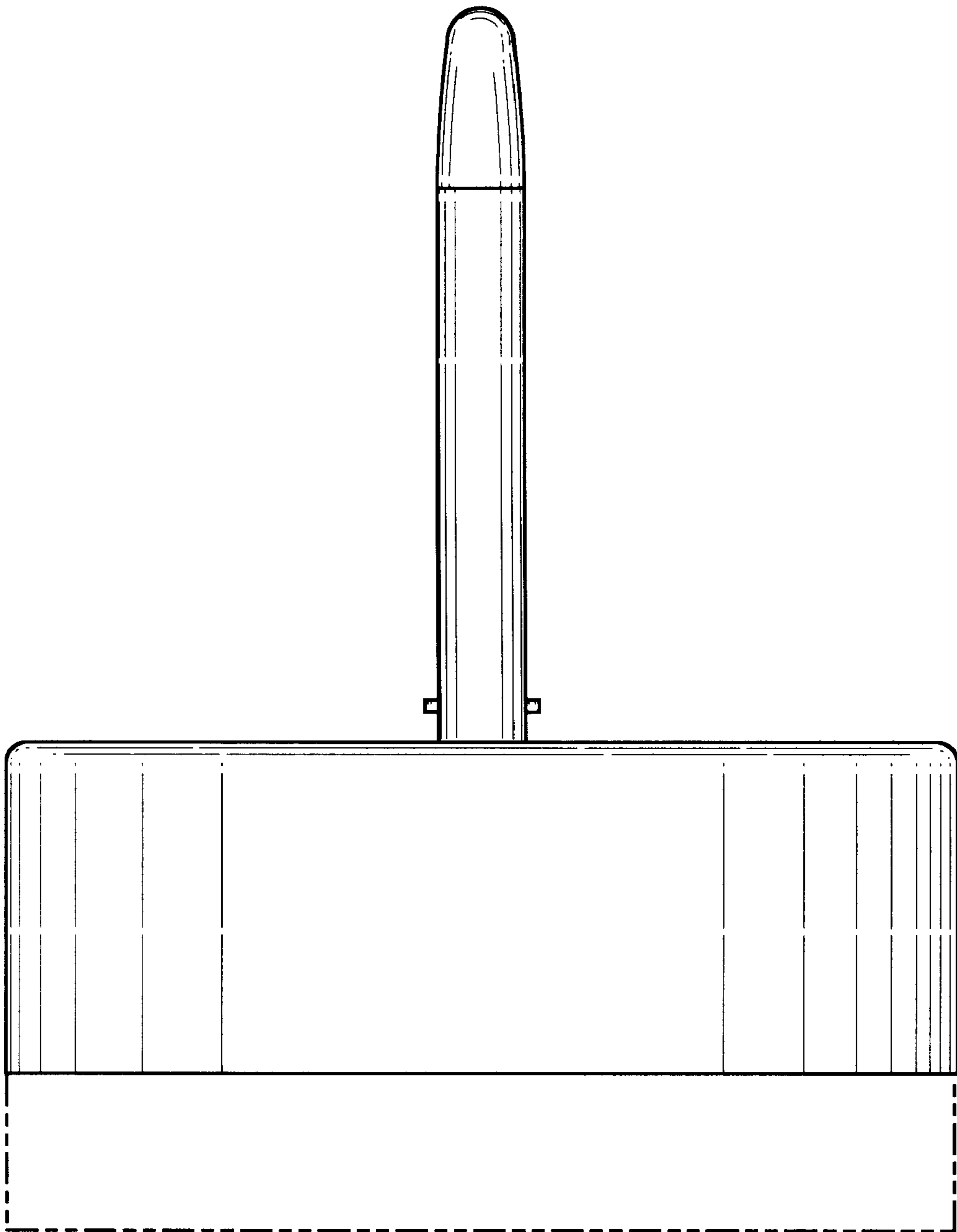


FIG. 5