



US00D429946S

# United States Patent [19]

Lee

[11] Patent Number: **Des. 429,946**

[45] Date of Patent: **\*\* Aug. 29, 2000**

[54] **ELECTRIC GRILL**

[75] Inventor: **Kwok Kay Lee**, Kowloon, The Hong Kong Special Administrative Region of the People's Republic of China

[73] Assignee: **Main Power Electrical Factory Ltd.**, Kowloon, The Hong Kong Special Administrative Region of the People's Republic of China

[\*\*] Term: **14 Years**

[21] Appl. No.: **29/102,219**

[22] Filed: **Mar. 19, 1999**

[51] **LOC (7) Cl.** ..... **07-02**

[52] **U.S. Cl.** ..... **D7/362**

[58] **Field of Search** ..... D7/362-367, 402; 99/422, 425, 445-446, 450; 219/429, 432, 433, 443.1, 450.1, 451.1

### [56] **References Cited**

#### U.S. PATENT DOCUMENTS

- D. 369,059 4/1996 Carnovali ..... D7/362
- D. 377,134 1/1997 Touche ..... D7/362

- D. 377,579 1/1997 O'Brien et al. .... D7/359
- D. 380,342 7/1997 Edmonds ..... D7/363
- D. 394,584 5/1998 Weber ..... D7/363
- D. 406,723 3/1999 Lee ..... D7/362
- D. 416,167 11/1999 Barker ..... D7/363
- 5,504,295 4/1996 Collas et al. .... 219/443
- 5,524,528 6/1996 Yeh ..... 99/446
- 5,884,555 3/1999 Chang ..... 99/425
- 6,024,014 2/2000 Kasai ..... 99/425

*Primary Examiner*—Ruth McInroy  
*Attorney, Agent, or Firm*—Leydig, Voit & Mayer, Ltd.

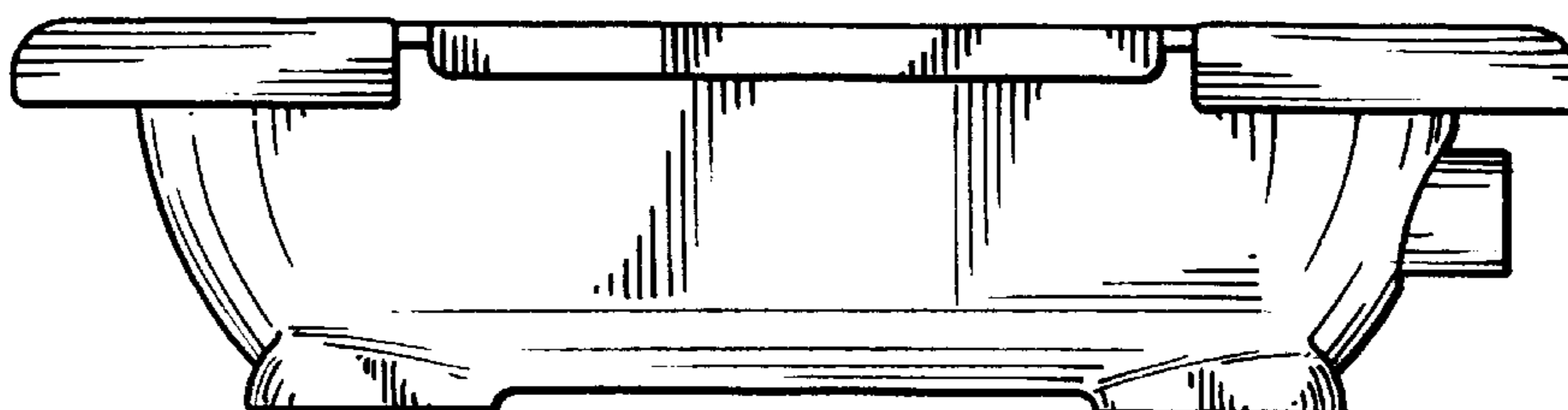
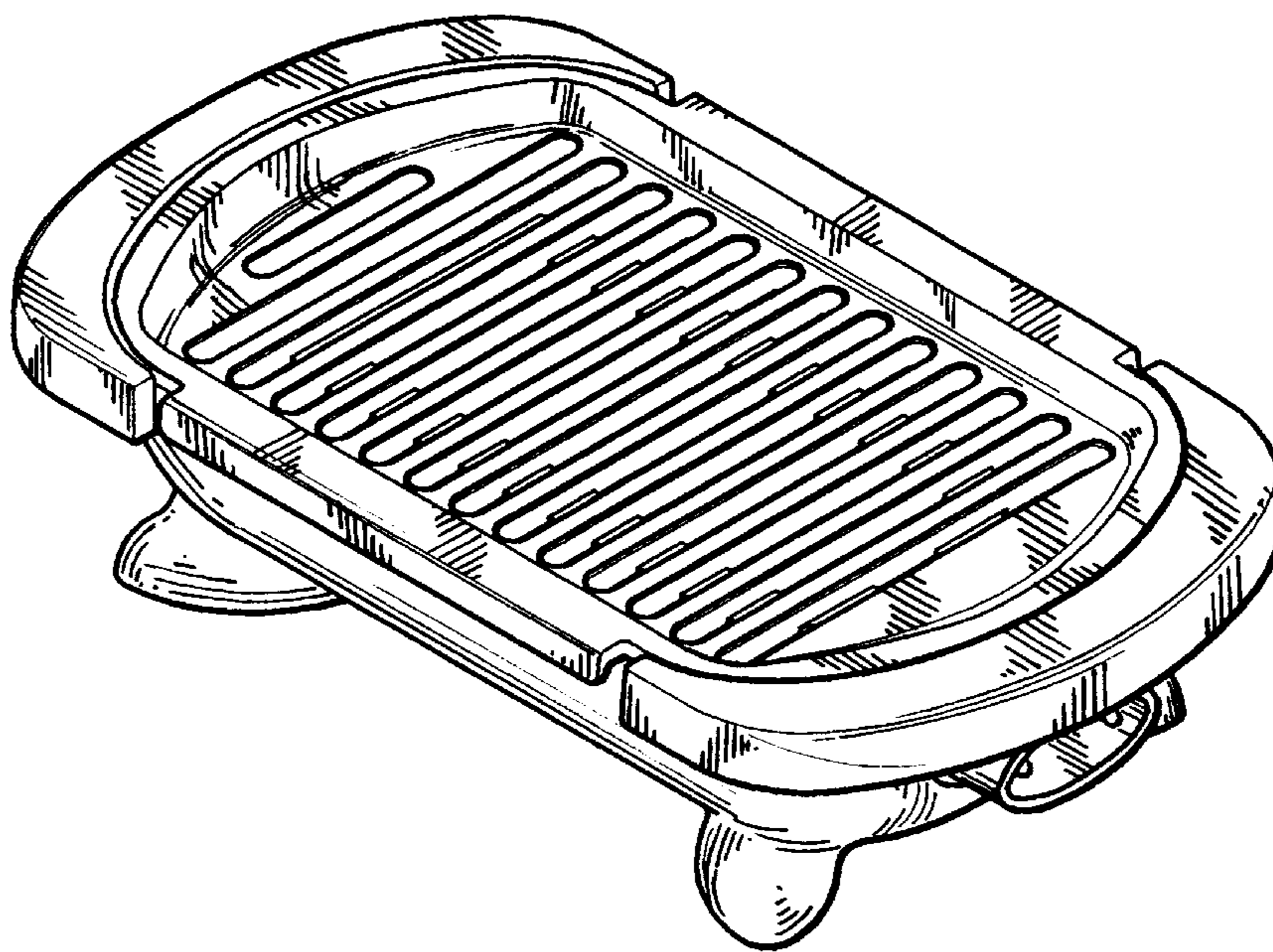
### [57] **CLAIM**

The ornamental design for an electric grill, as shown and described.

### **DESCRIPTION**

FIG. 1 is a top perspective view of an electric grill showing my new design;  
FIG. 2 is a top plan view thereof;  
FIG. 3 is a bottom plan view thereof;  
FIG. 4 is an elevational view of one side thereof;  
FIG. 5 is an elevational view of opposite side thereof;  
FIG. 6 is an elevational view of one end thereof; and,  
FIG. 7 is an elevational view of opposite end thereof.

**1 Claim, 4 Drawing Sheets**



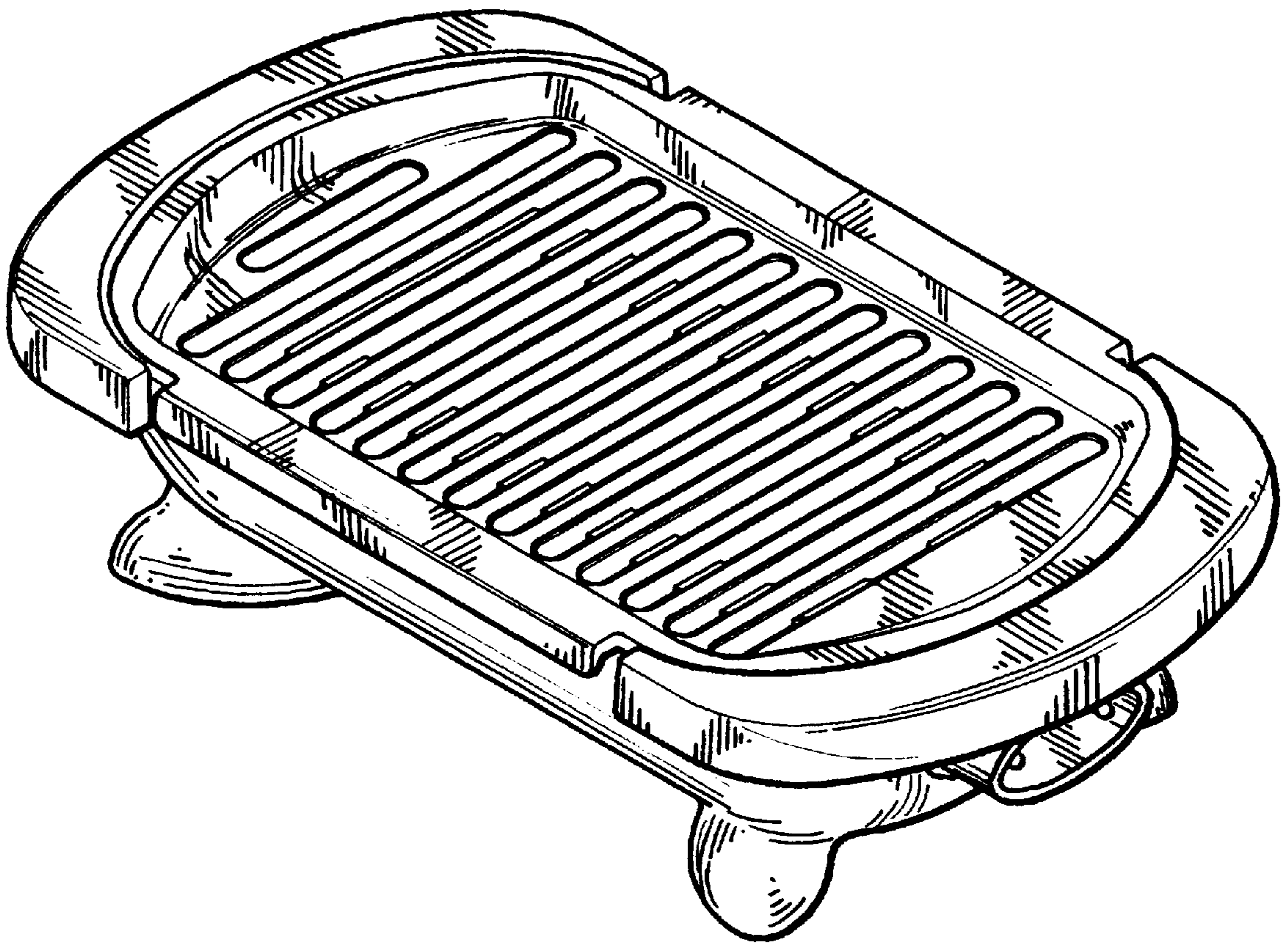


FIG. 1

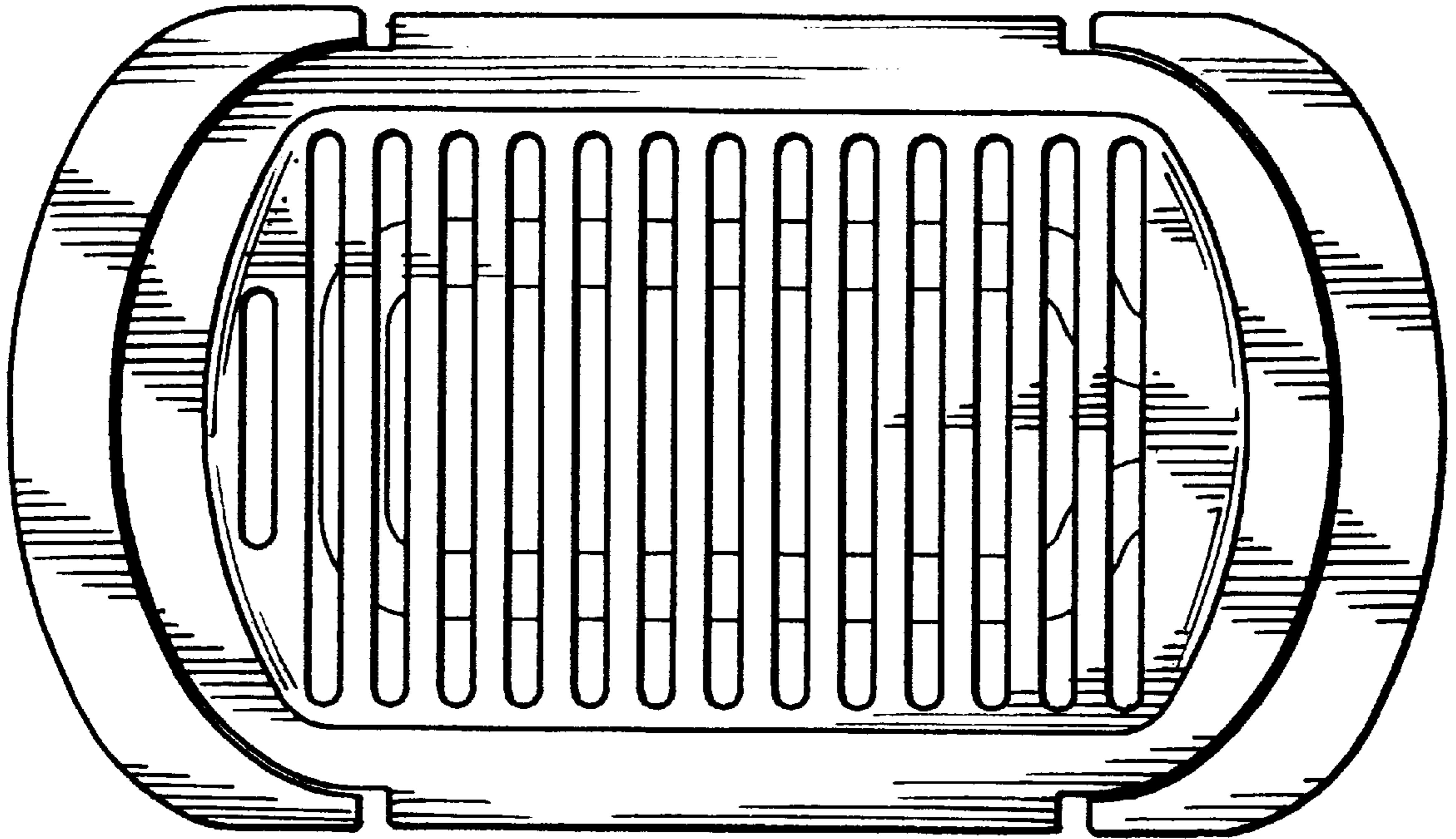


FIG. 2

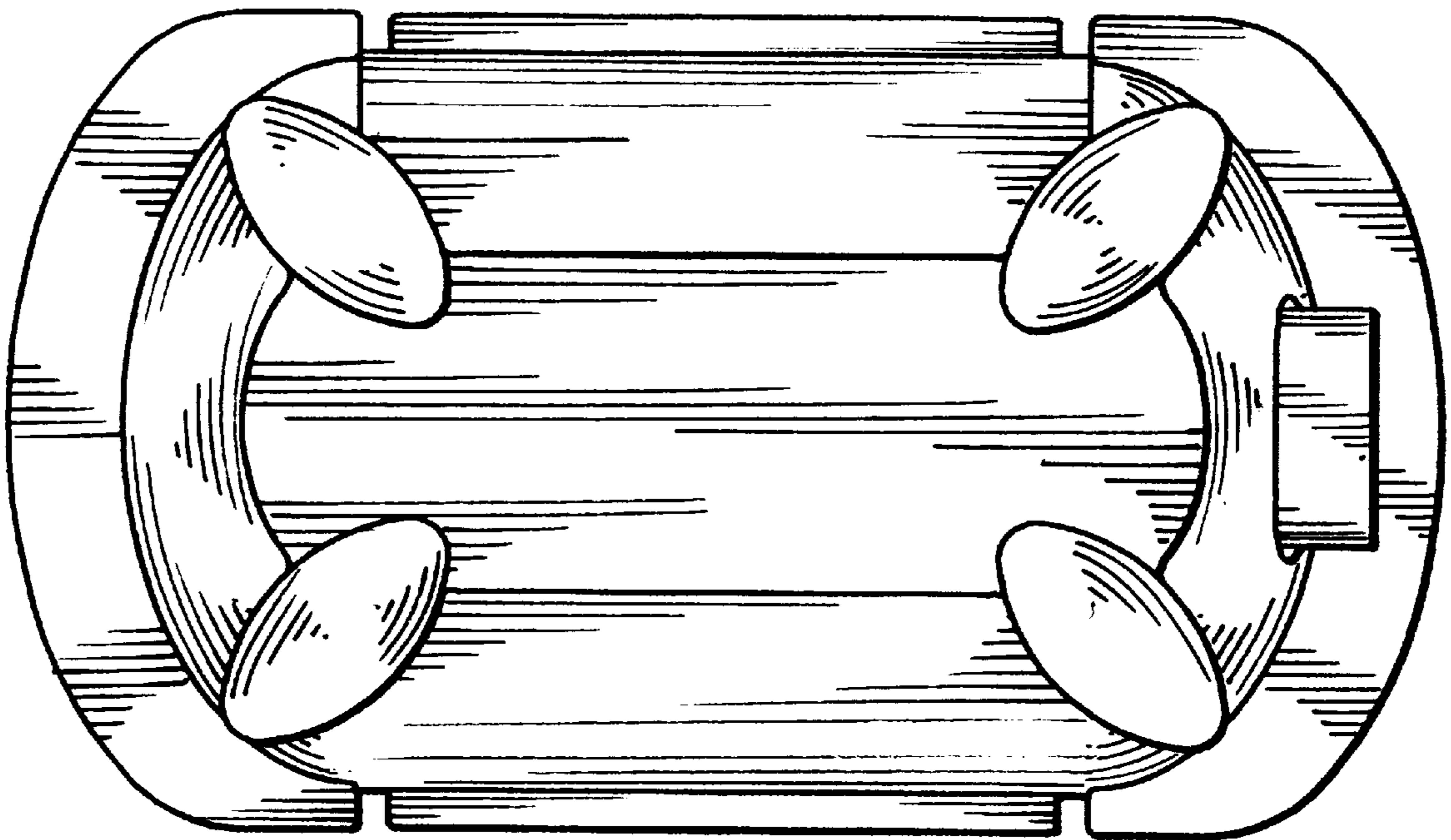


FIG. 3

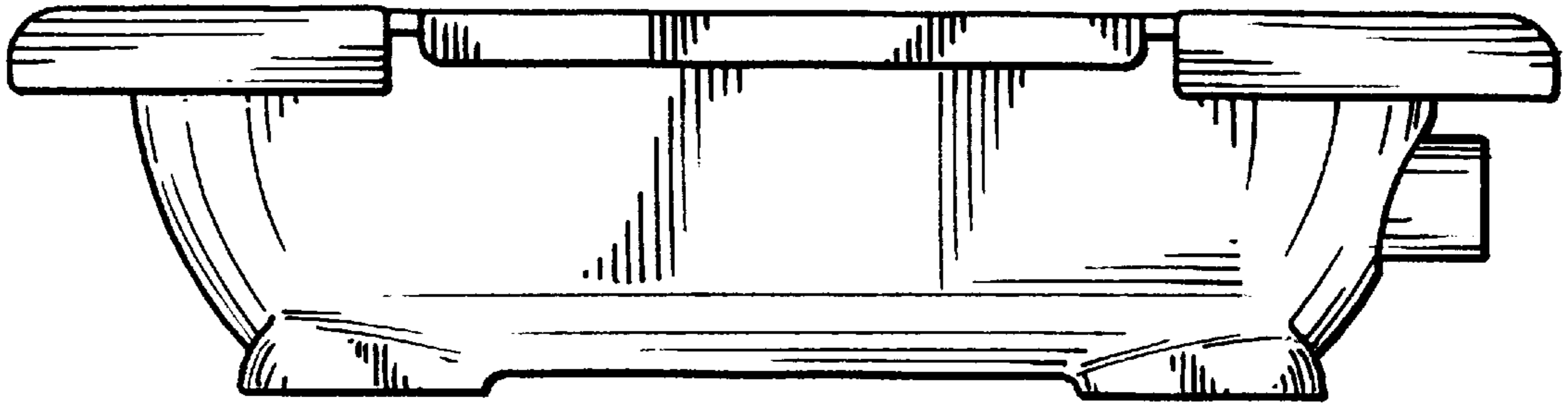


FIG. 4

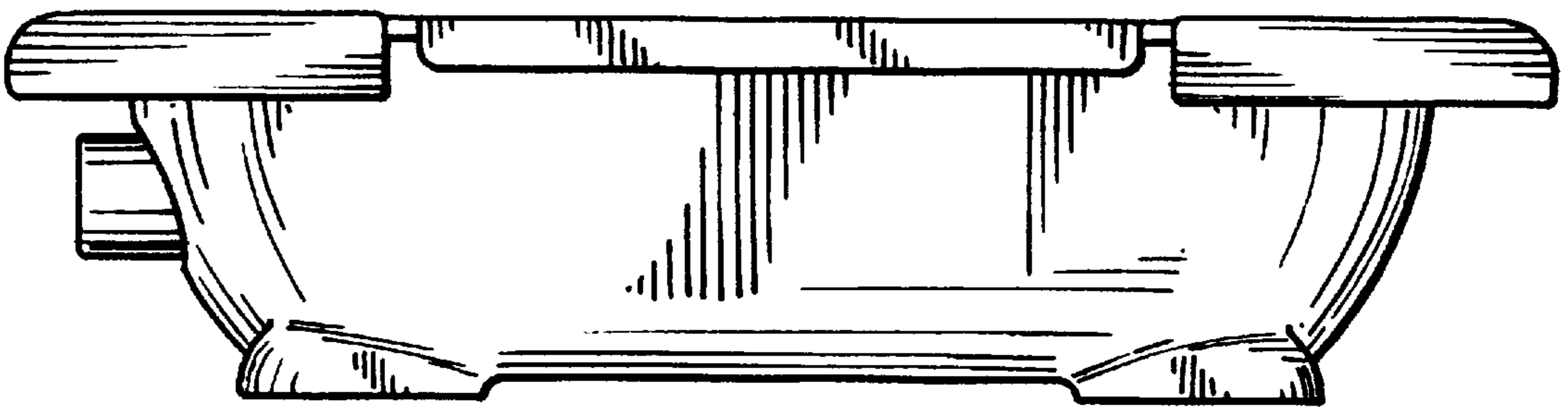


FIG. 5

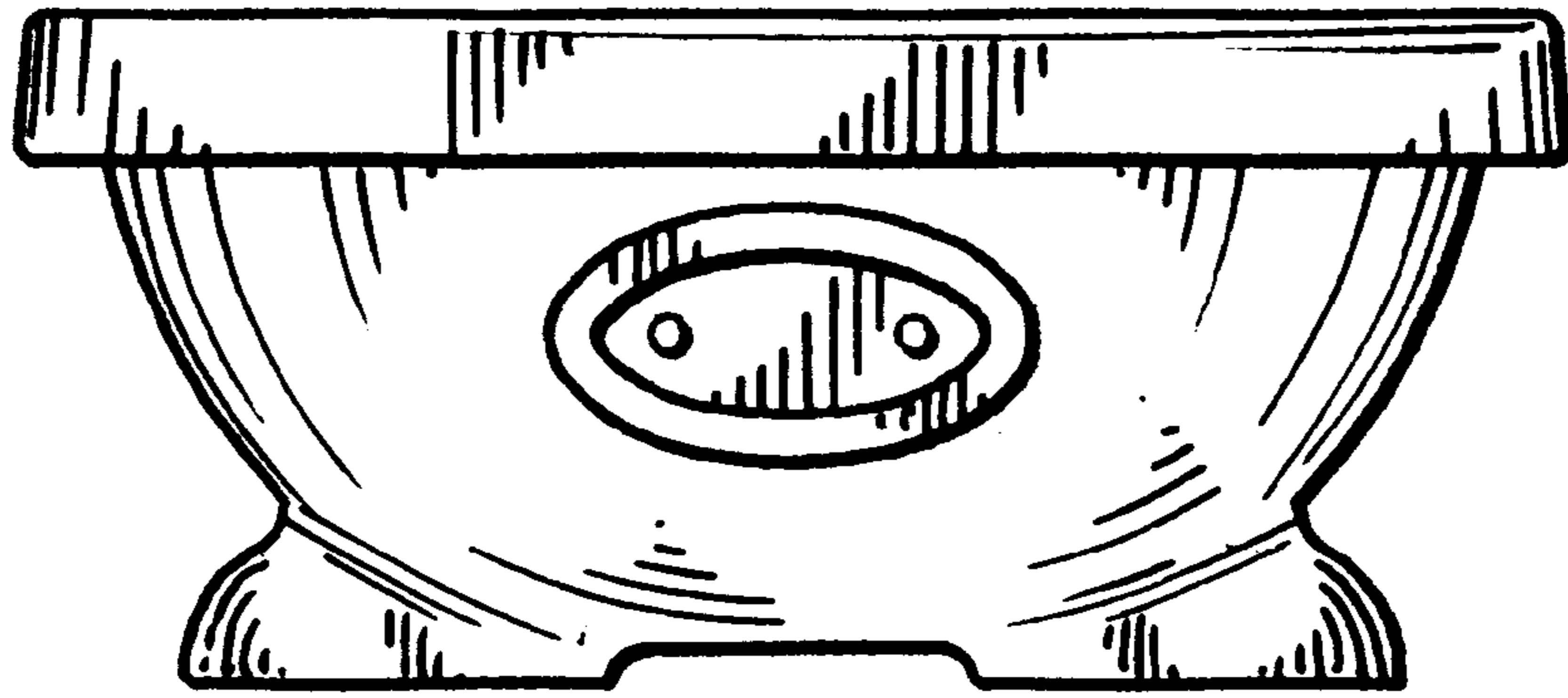


FIG. 6

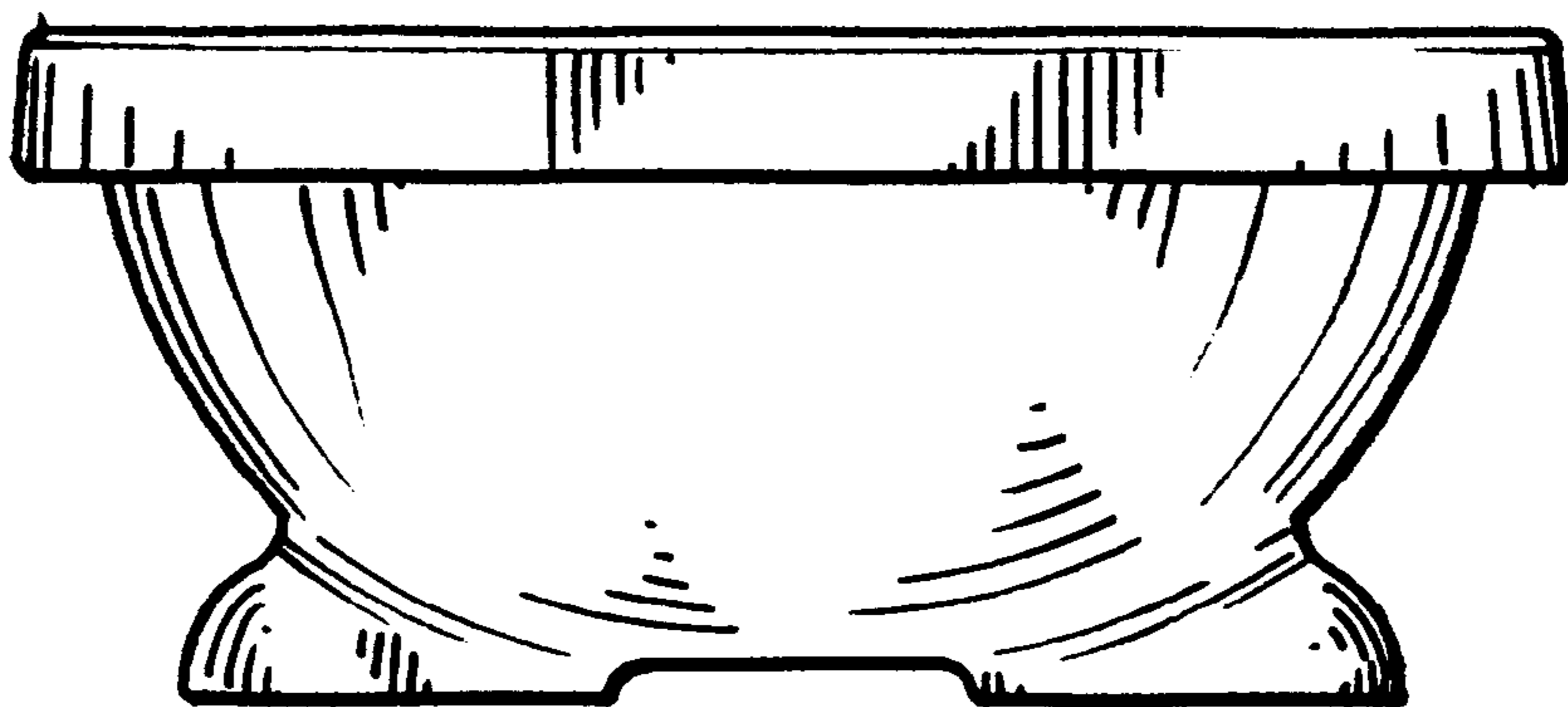


FIG. 7