



US00D429945S

United States Patent [19]

Noda et al.

[11] Patent Number: **Des. 429,945**

[45] Date of Patent: **** Aug. 29, 2000**

[54] MICROWAVE OVEN

[75] Inventors: **Kensaku Noda**, Shiga-Ken; **Masatoshi Okuda**, Gunma-Ken; **Atsuko Kawamura**; **Yasunori Kusachi**, both of Shiga-Ken, all of Japan

[73] Assignee: **Sanyo Electric Co., Ltd.**, Osaka-fu, Japan

[**] Term: **14 Years**

[21] Appl. No.: **29/105,581**

[22] Filed: **May 26, 1999**

[30] **Foreign Application Priority Data**

Nov. 26, 1998 [JP] Japan 10-34422

[51] **LOC (7) Cl.** **07-02**

[52] **U.S. Cl.** **D7/351**

[58] **Field of Search** D7/350, 351; 126/273 R, 126/273 A, 275 R, 275 E, 21 A, 19 M; 219/678, 680, 756-758

[56] **References Cited**

U.S. PATENT DOCUMENTS

D. 354,415 1/1995 Noda et al. D7/351

- D. 371,041 6/1996 Matoba et al. D7/351
- D. 381,862 8/1997 Noda et al. D7/351
- D. 401,470 11/1998 Noda et al. D7/351
- D. 412,083 7/1999 Okuda et al. D7/351
- D. 412,807 8/1999 Noda et al. D7/351

Primary Examiner—Ruth McInroy
Attorney, Agent, or Firm—Darby & Darby

[57] **CLAIM**

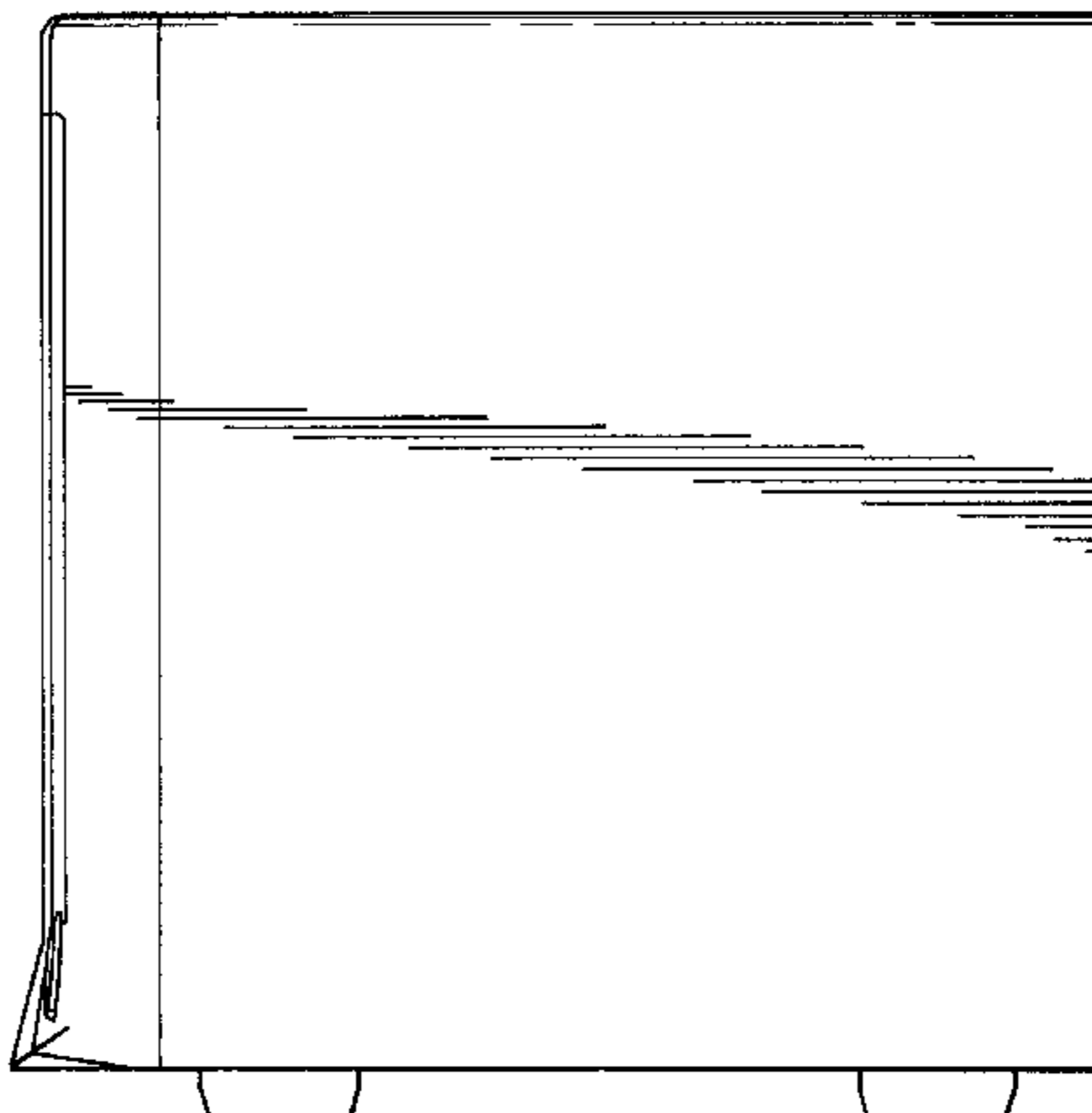
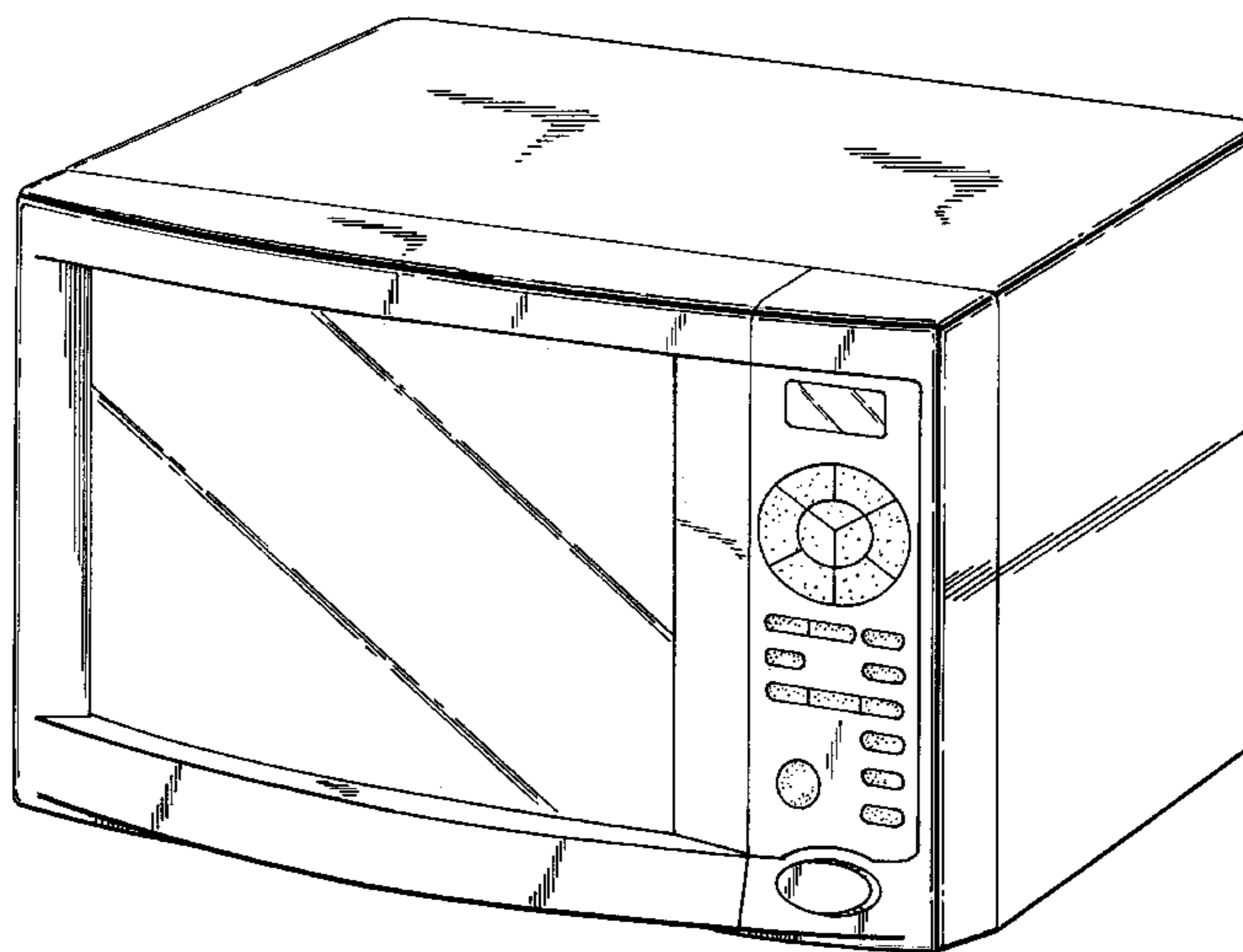
We claim the ornamental design for a microwave oven, as shown and described.

DESCRIPTION

FIG. 1 is a top, front, and right side perspective view of a microwave oven showing our new design;
 FIG. 2 is a front elevation view of our new design;
 FIG. 3 is a rear elevation view thereof;
 FIG. 4 is a right side elevation view thereof;
 FIG. 5 is a left side elevation view thereof;
 FIG. 6 is a top plan view thereof; and,
 FIG. 7 is a bottom plan view thereof.

The details shown in broken lines in FIGS. 2-5 and 7 are for illustrative purposes only and form no part of the claimed design.

1 Claim, 7 Drawing Sheets



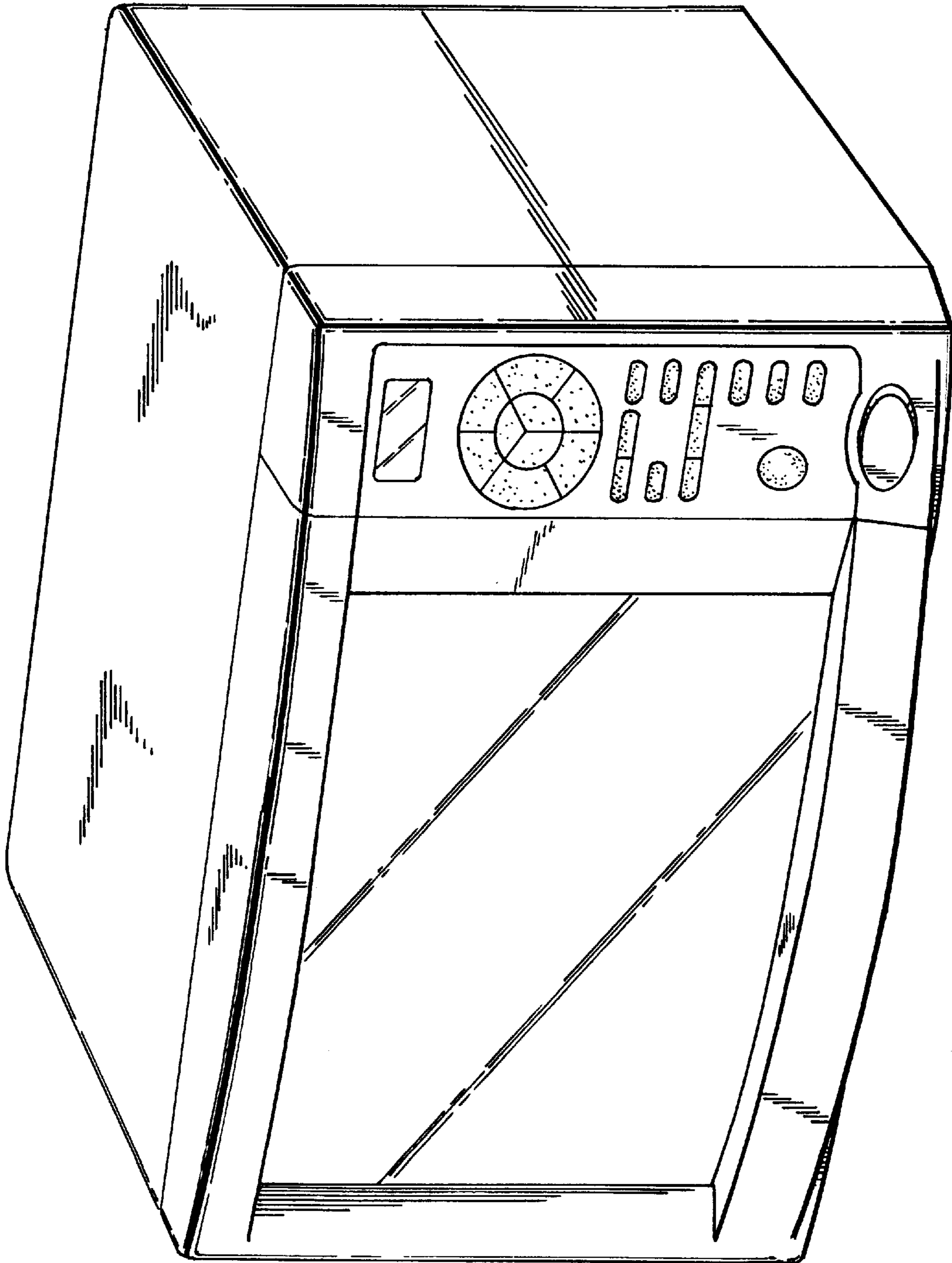


Fig. 1

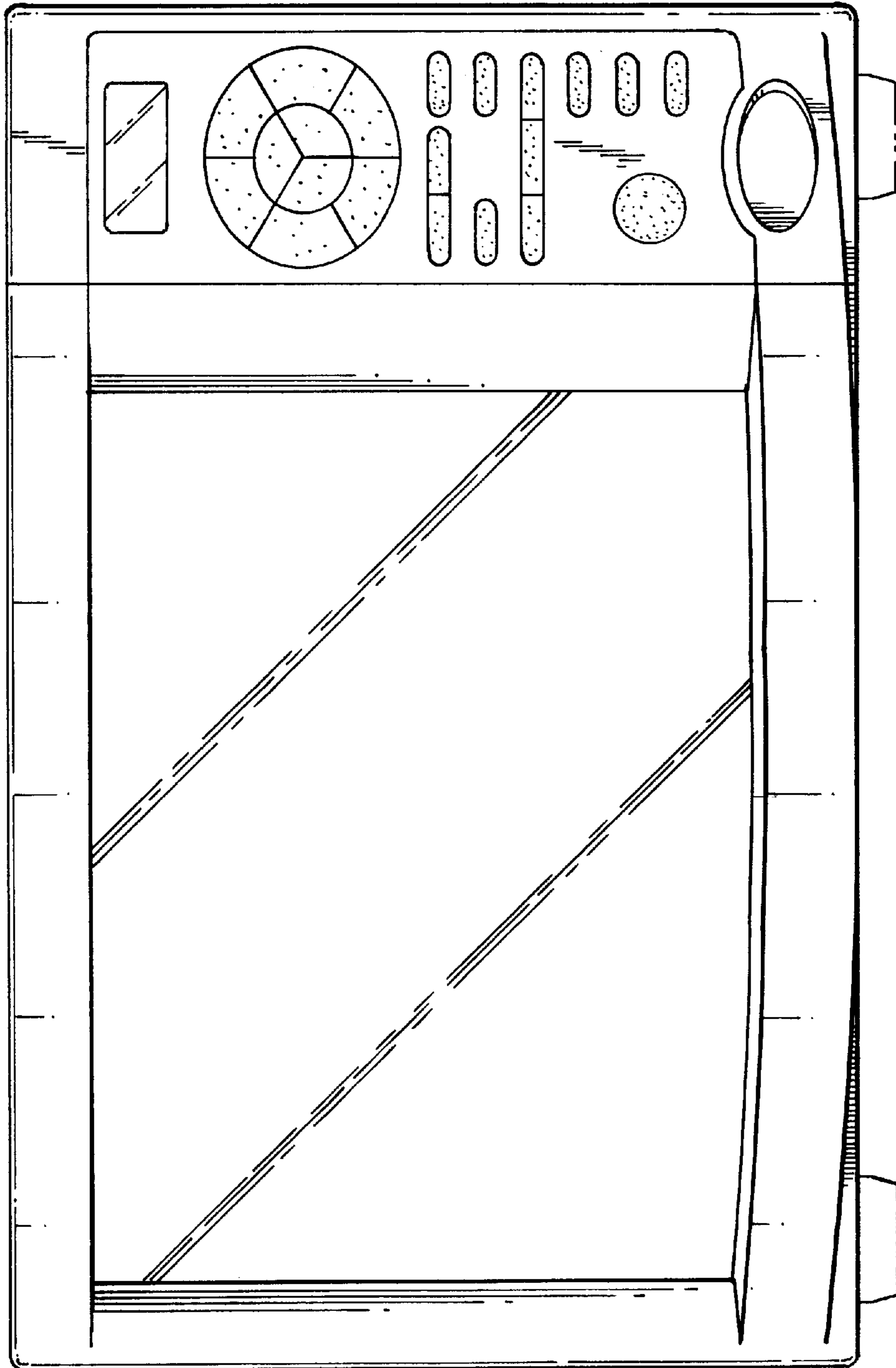


Fig. 2

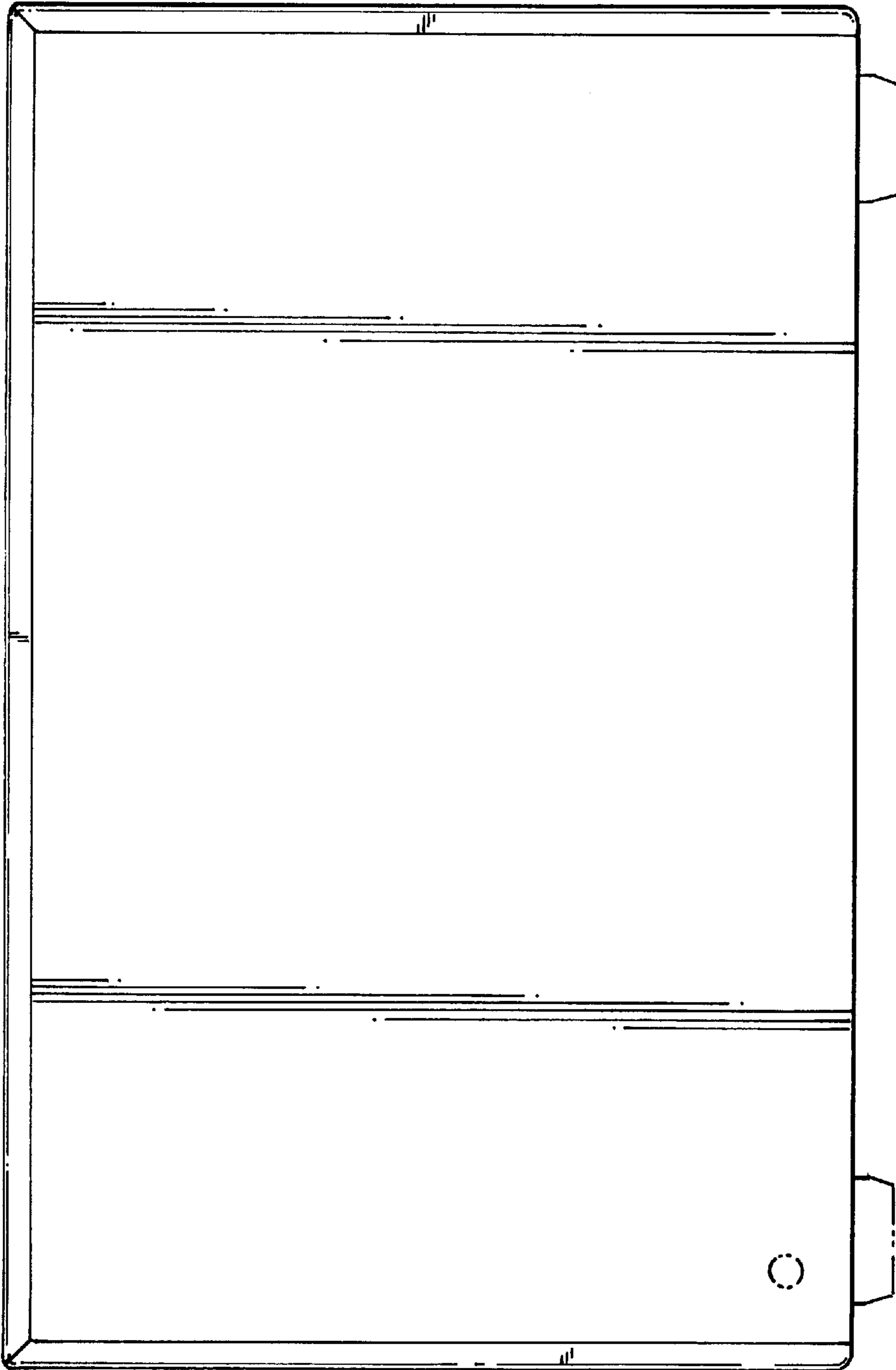


Fig. 3

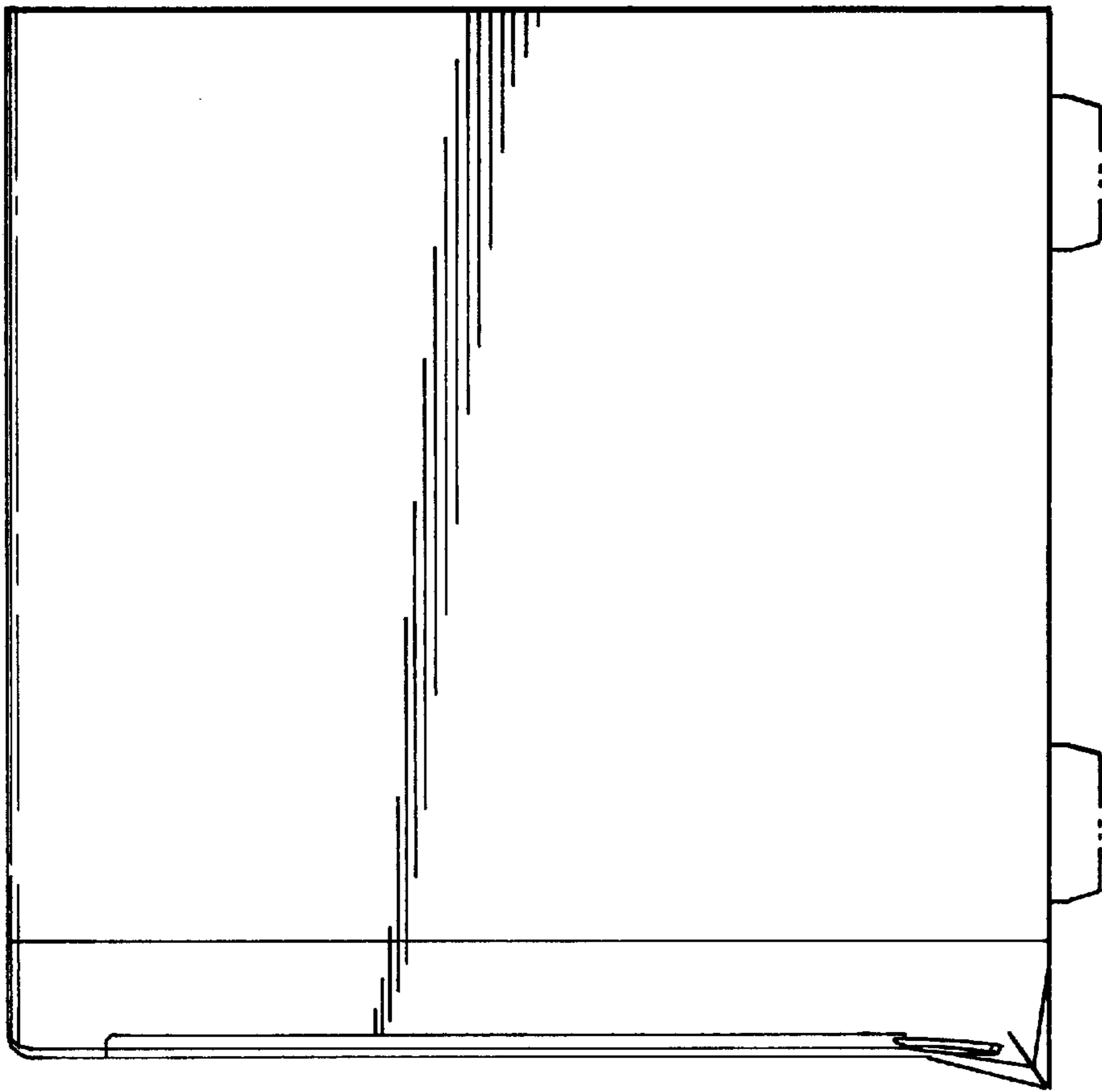


Fig. 4

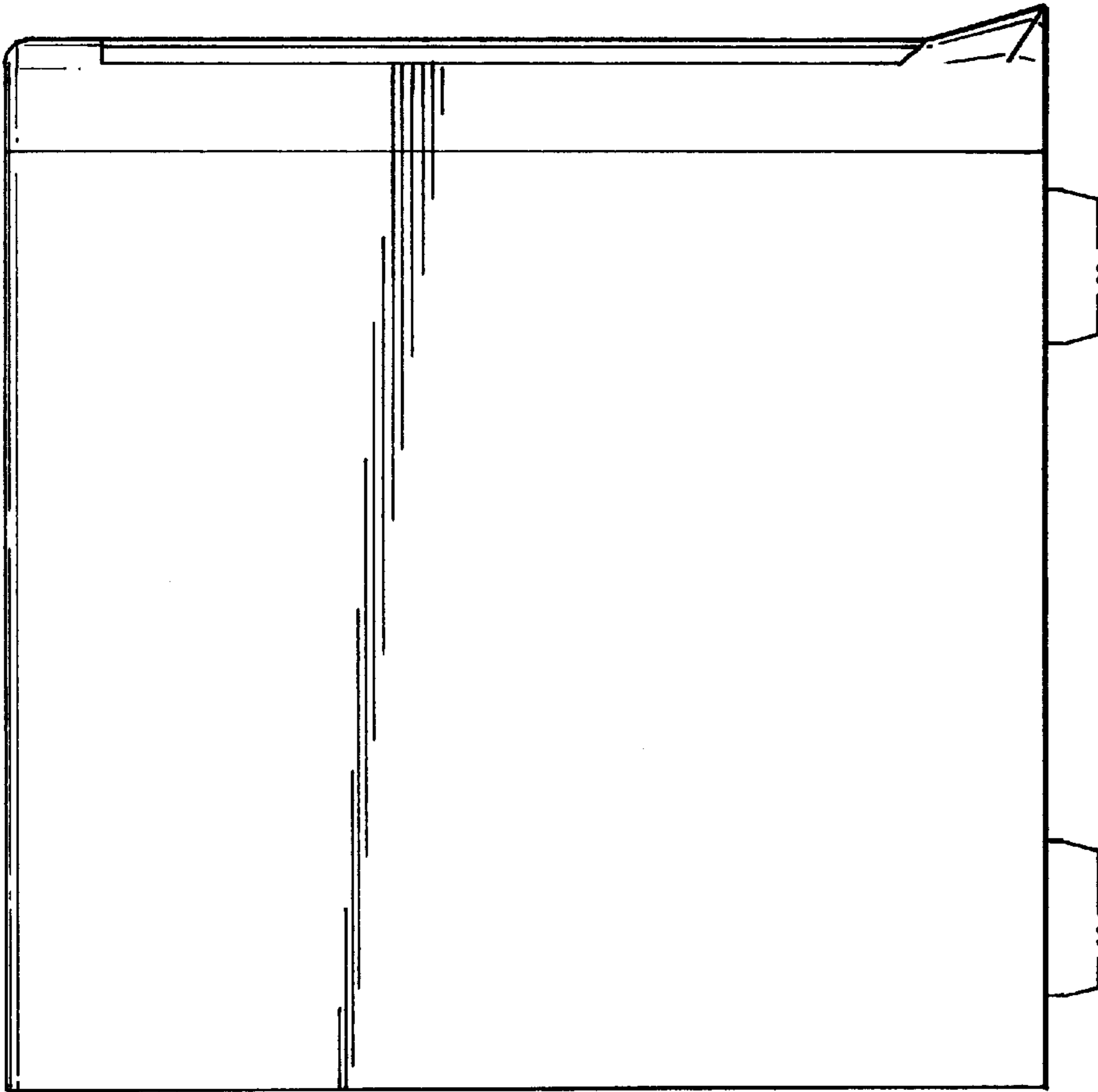


Fig. 5

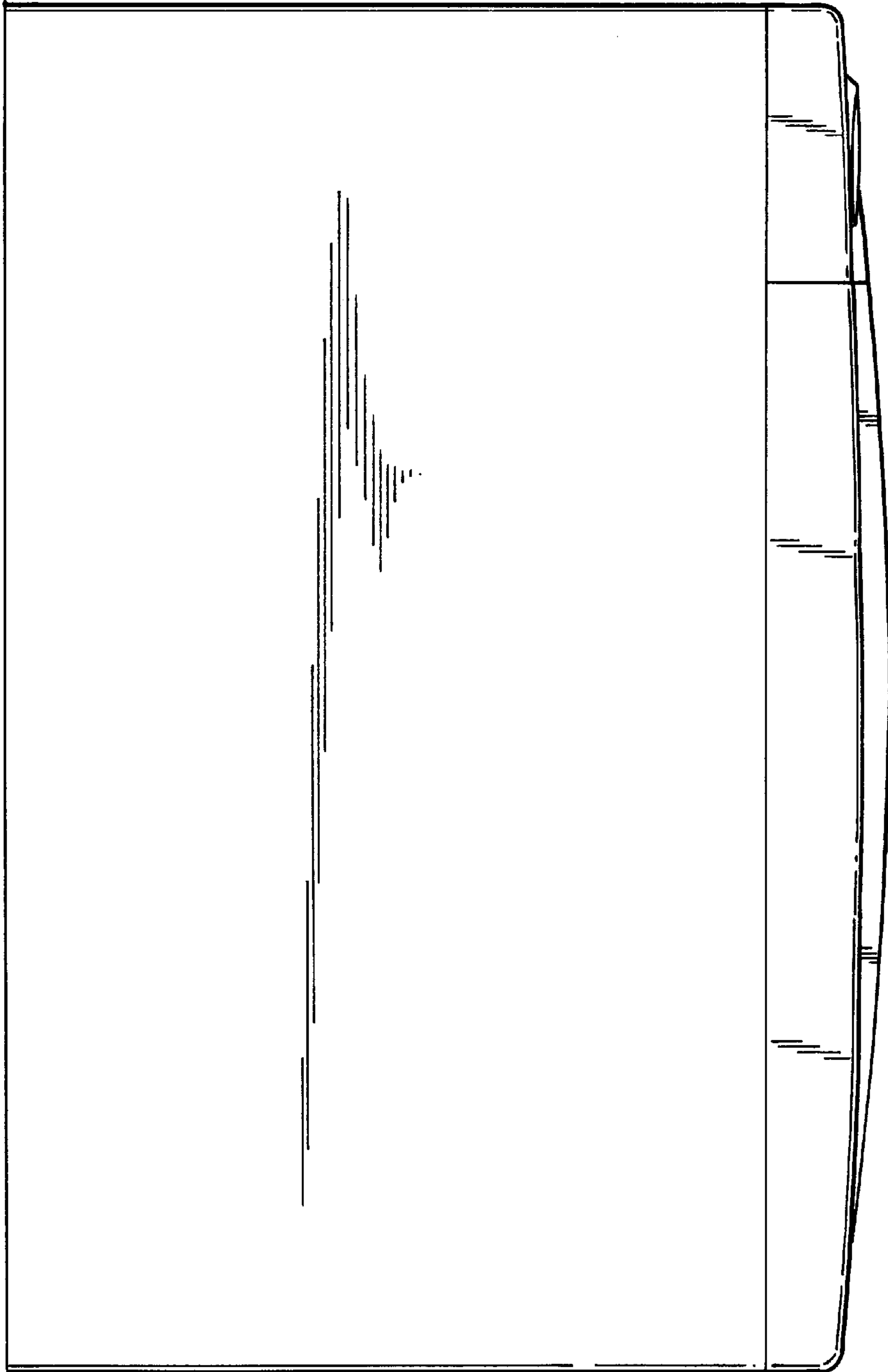


Fig. 6

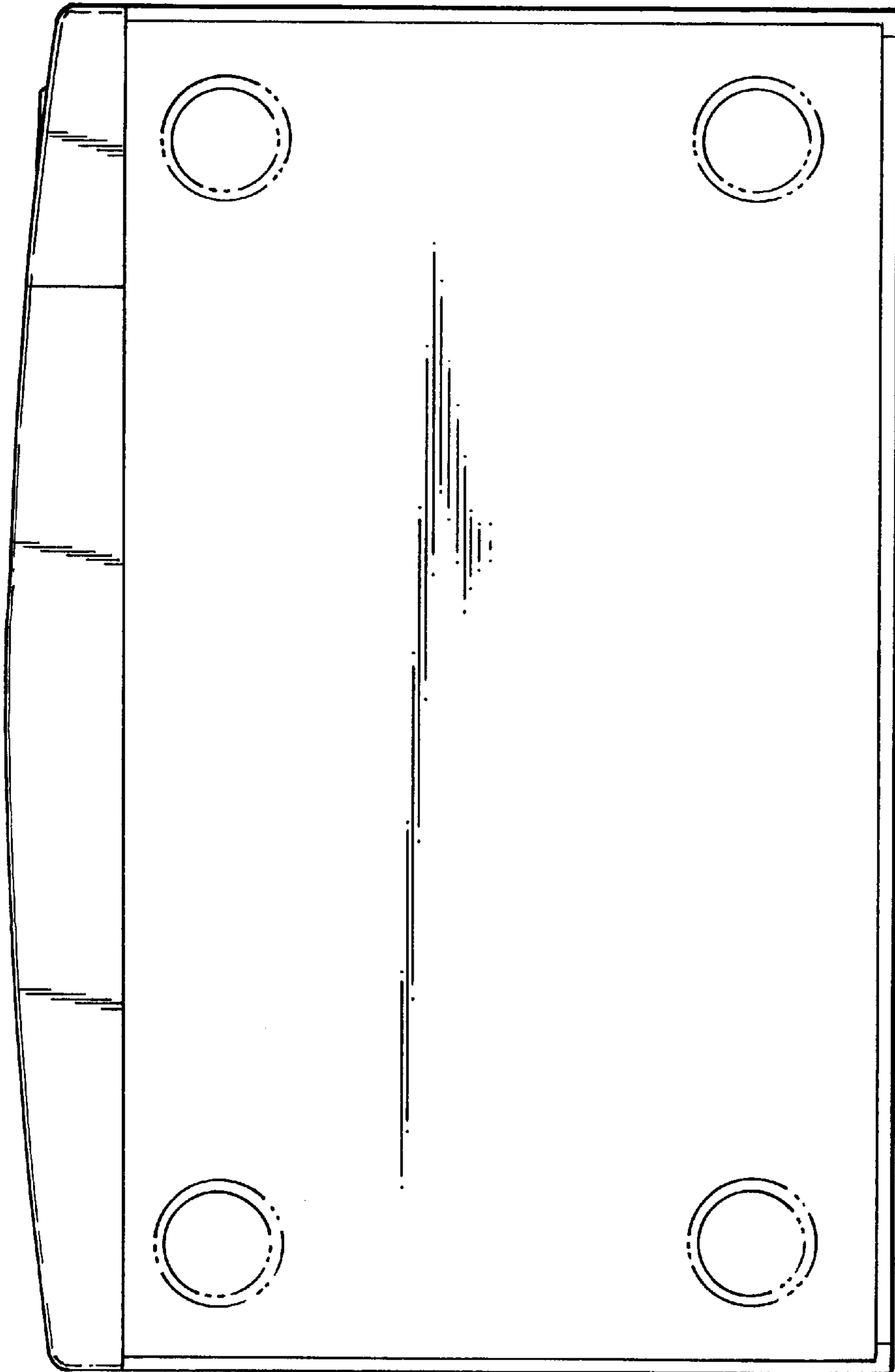


Fig. 7