



US00D429944S

United States Patent [19]

Alle

[11] Patent Number: Des. 429,944

[45] Date of Patent: ** Aug. 29, 2000

[54] BAR-B-QUE GRILL

[76] Inventor: Kevin M. Alle, 4467 Ruenda Ct., Las Vegas, Nev. 89147

[**] Term: 14 Years

[21] Appl. No.: 29/111,202

[22] Filed: Sep. 22, 1999

[51] LOC (7) Cl. 07-02

[52] U.S. Cl. D7/332

[58] Field of Search D7/331-337, 402-403; 126/25 R, 25 A, 25 AA, 9 R, 29-30, 39 R, 41 R, 276; 99/419, 421 R, 339

[56] References Cited

U.S. PATENT DOCUMENTS

D. 291,570	8/1987	Basch	D14/143
D. 302,094	7/1989	Reeves	D7/334
D. 314,882	2/1991	Bethel, Jr.	D7/334
D. 324,153	2/1992	Wood	D7/402
D. 325,317	4/1992	Ruth	D7/332
D. 325,490	4/1992	Dodgen	D7/334
D. 329,323	9/1992	Rogers et al.	D2/912
D. 329,624	9/1992	Dodgen	D12/102
D. 330,203	10/1992	Yeh	D14/217
D. 334,687	4/1993	Gongwer	D7/334
D. 337,117	7/1993	Yeh	D14/217
D. 340,612	10/1993	Birmingham	D7/334
D. 351,307	10/1994	Birmingham	D7/331
D. 366,804	2/1996	Kitten	D7/334
D. 368,618	4/1996	Hoogmoed	D7/334
D. 373,047	8/1996	McCrary et al.	D7/332
D. 373,282	9/1996	Cordero	D7/334
D. 379,286	5/1997	Fincher	D7/334
D. 385,146	10/1997	Fielding et al.	D7/332

D. 390,433	2/1998	Miller	1/1
D. 395,982	7/1998	Dunn et al.	D7/402
D. 396,599	8/1998	Smith, Jr.	D7/332
D. 397,580	9/1998	Dunn et al.	D7/402
D. 408,456	4/1999	Garner	D19/90
D. 423,016	4/2000	Fletcher	D14/250
2,154,165	4/1939	Huntington	126/29
2,666,426	1/1954	Pollard	126/25
2,723,658	11/1955	Schmieding	126/25
2,768,042	10/1956	Persinger et al.	311/17
2,838,991	6/1958	Kleinmann et al.	99/421
3,330,266	7/1967	Stephen	126/25
4,919,477	4/1990	Bingham et al.	296/24.1
5,031,602	7/1991	Vick	126/25 R
5,255,664	10/1993	Gurliacci	126/276
5,501,210	3/1996	Hoogmoed	126/276

Primary Examiner—Ruth McInroy
Attorney, Agent, or Firm—Joseph N. Breaux

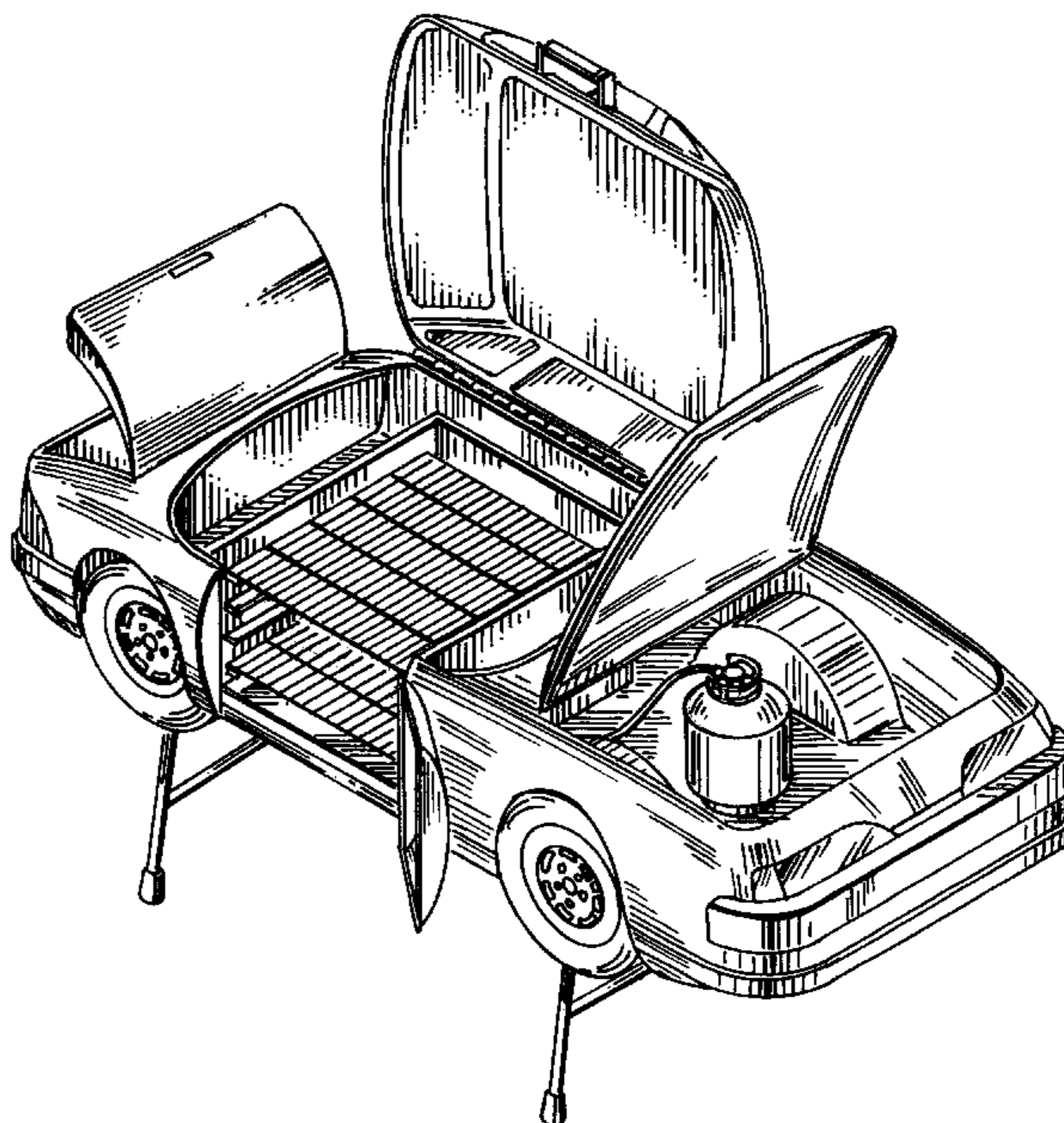
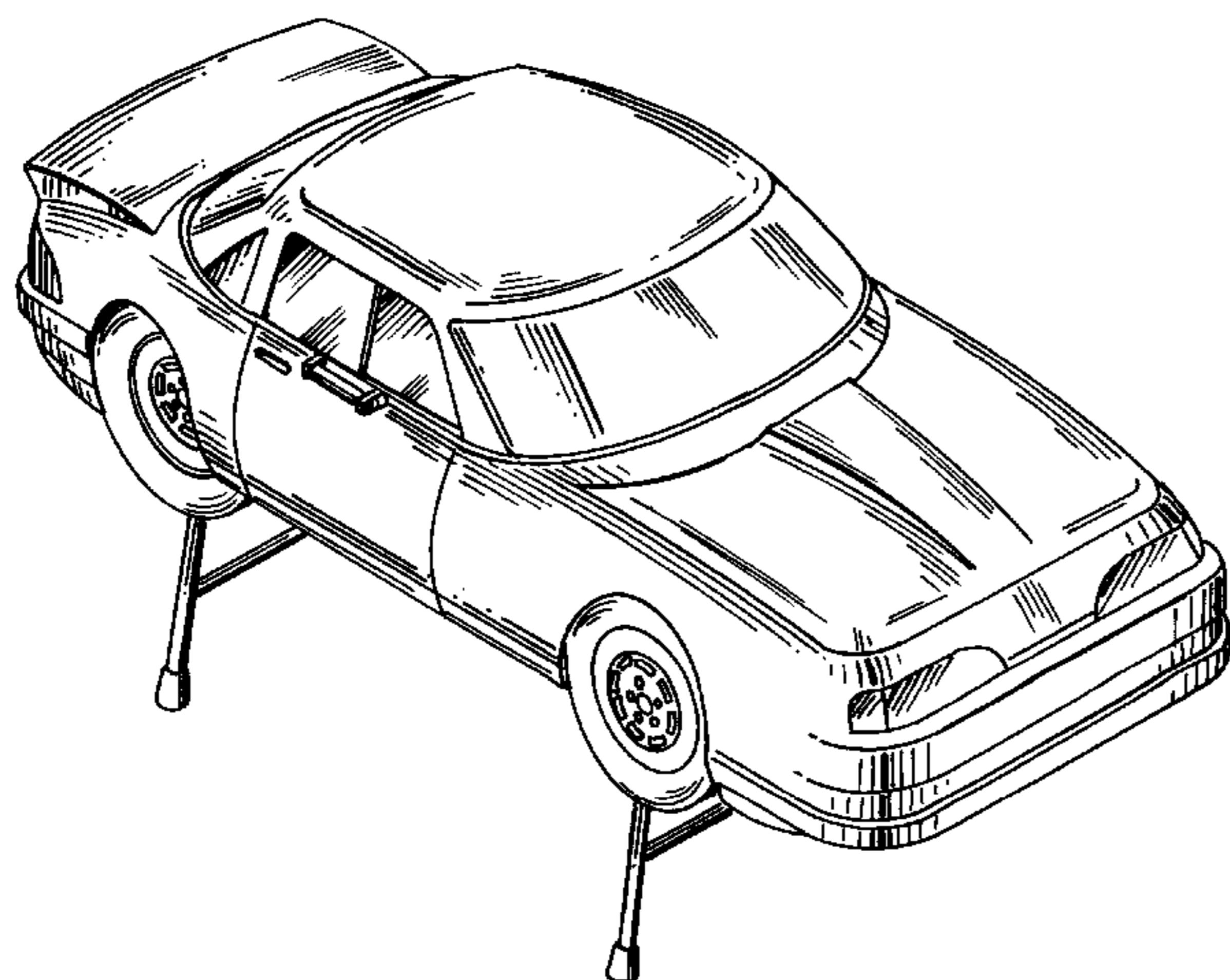
[57] CLAIM

I claim the ornamental design for a bar-b-que grill, as shown.

DESCRIPTION

FIG. 1 is a front elevational view of a bar-b-que grill showing my new design;
 FIG. 2 is a front elevational view thereof with portions shown in an open position;
 FIG. 3 is a top plan view thereof;
 FIG. 4 is a bottom plan view thereof;
 FIG. 5 is a right end elevational view thereof;
 FIG. 6 is a rear elevational view thereof;
 FIG. 7 is a perspective view thereof;
 FIG. 8 is a perspective view thereof with portions shown in an open position; and,
 FIG. 9 is a left end elevational view thereof.

1 Claim, 4 Drawing Sheets



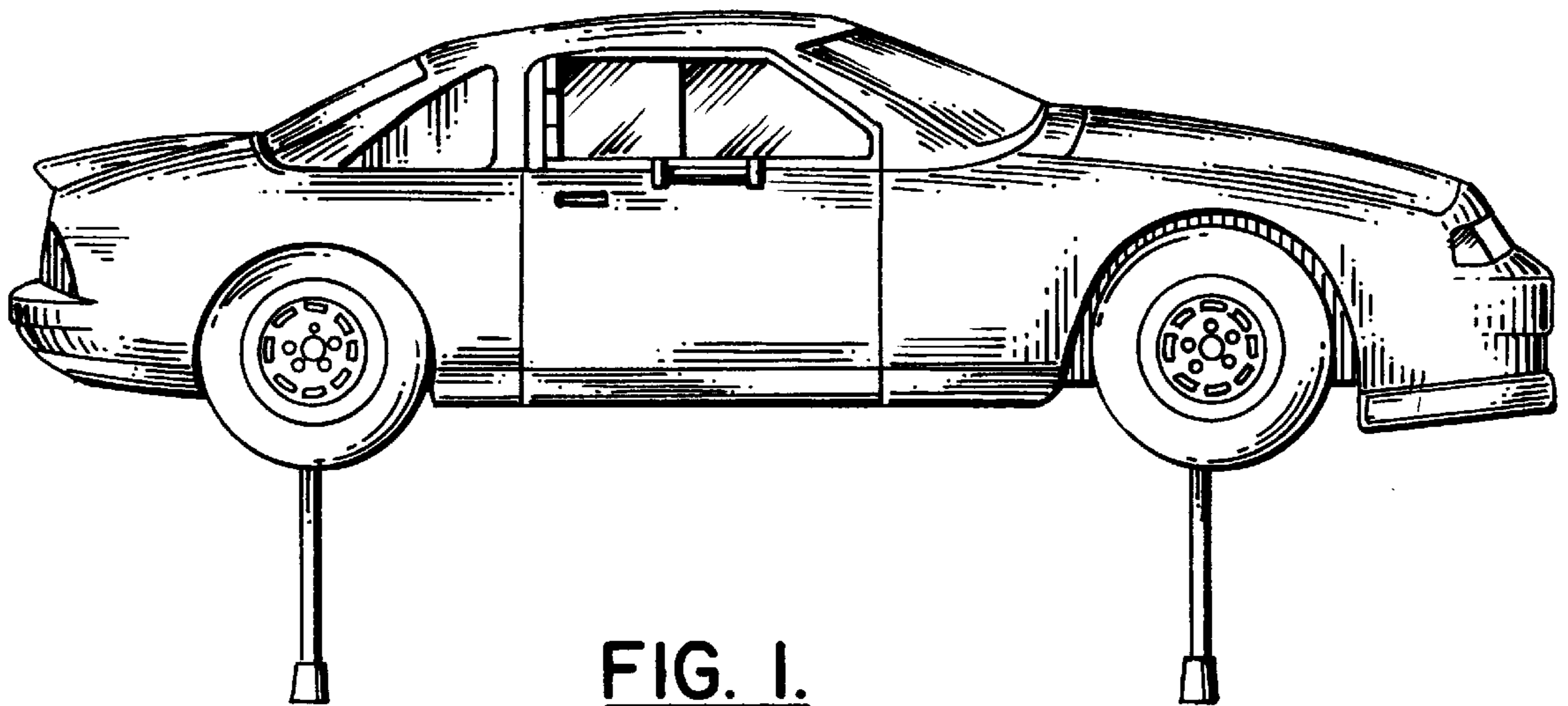


FIG. 1.

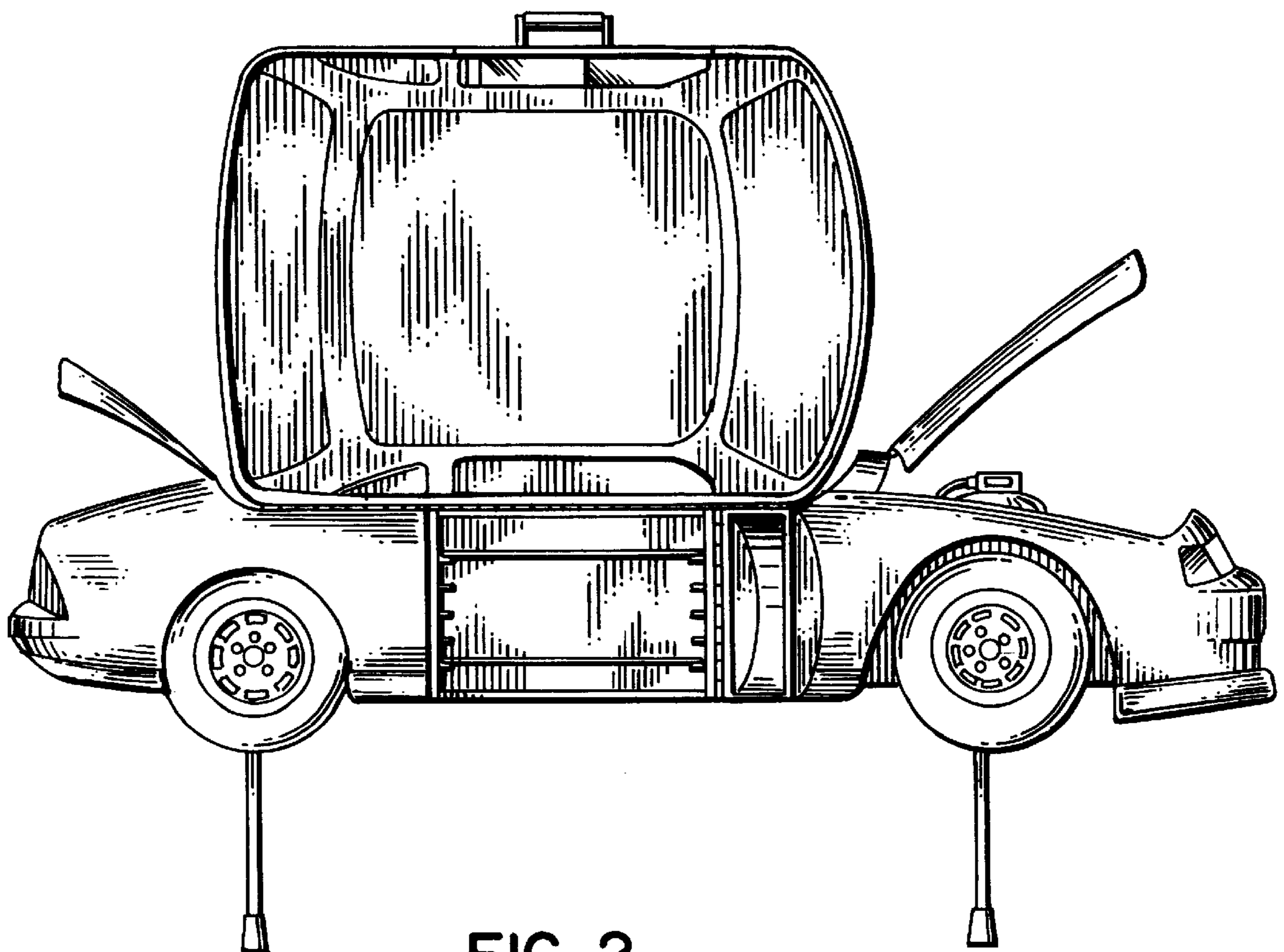


FIG. 2.

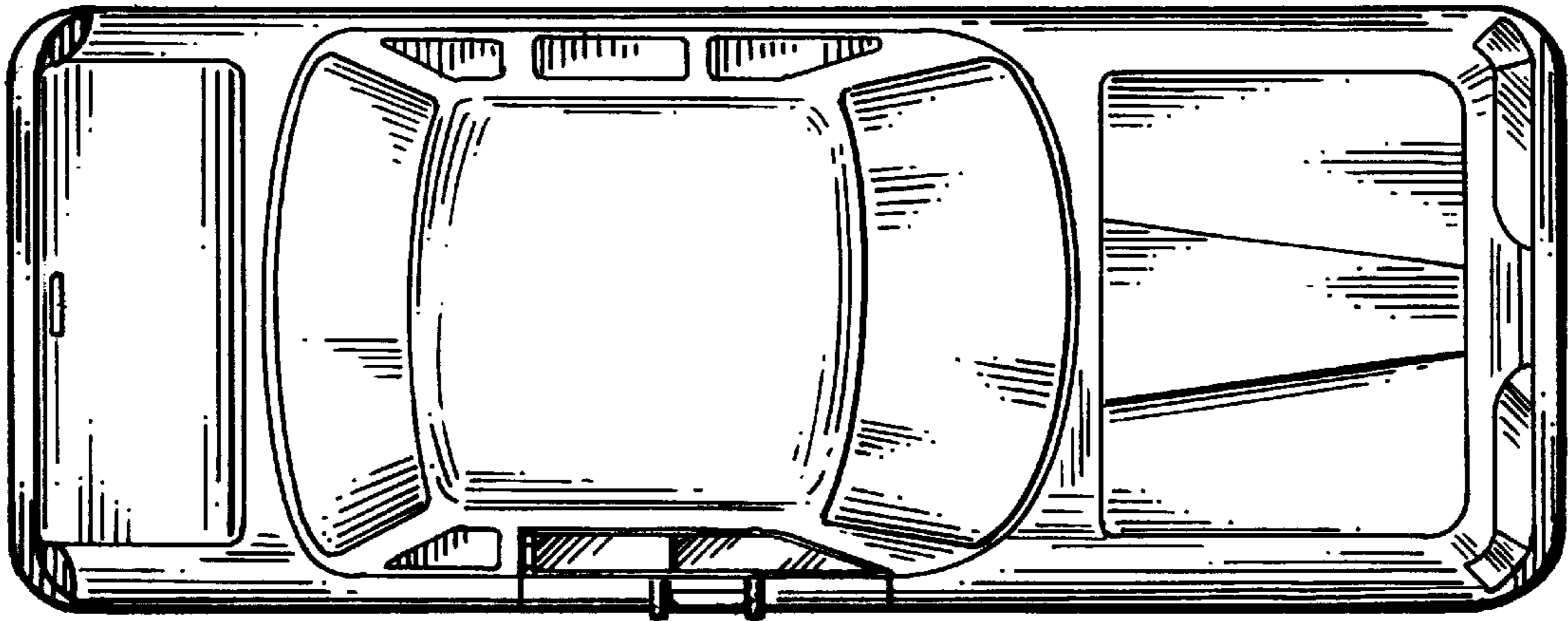


FIG. 3.

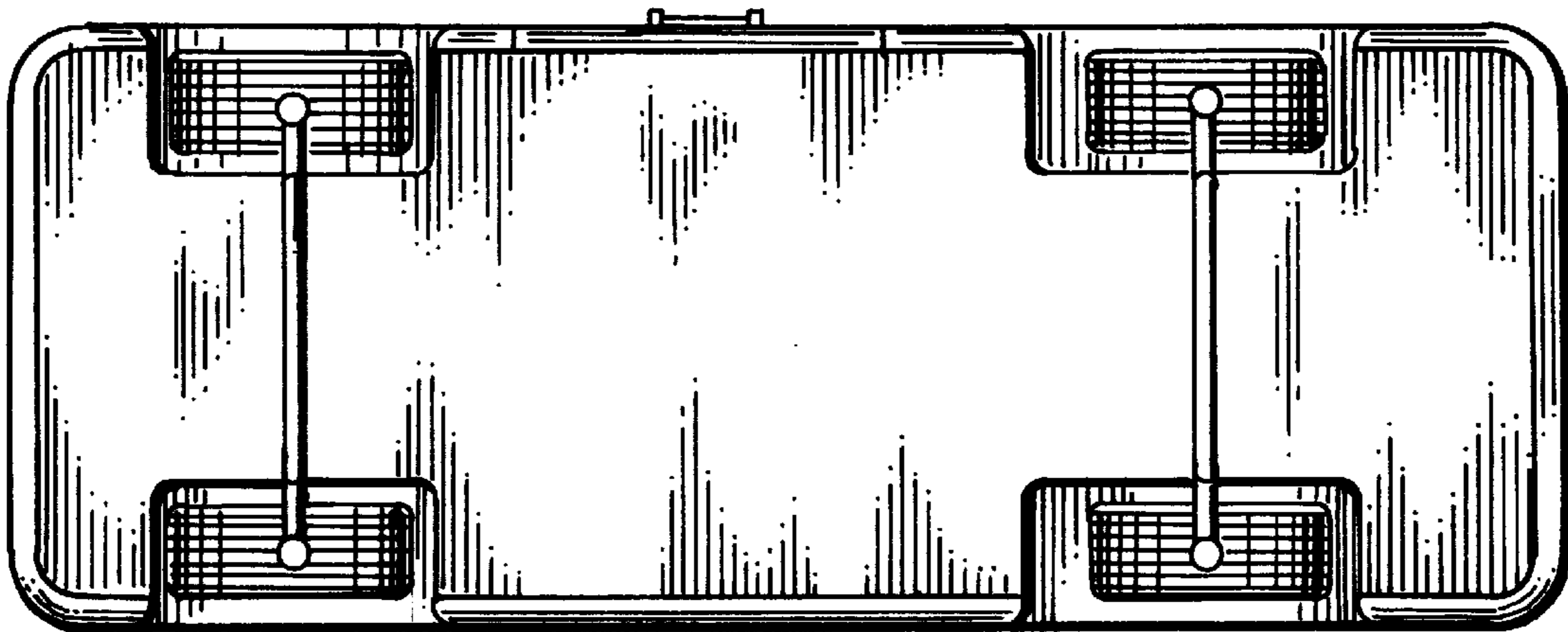


FIG. 4.

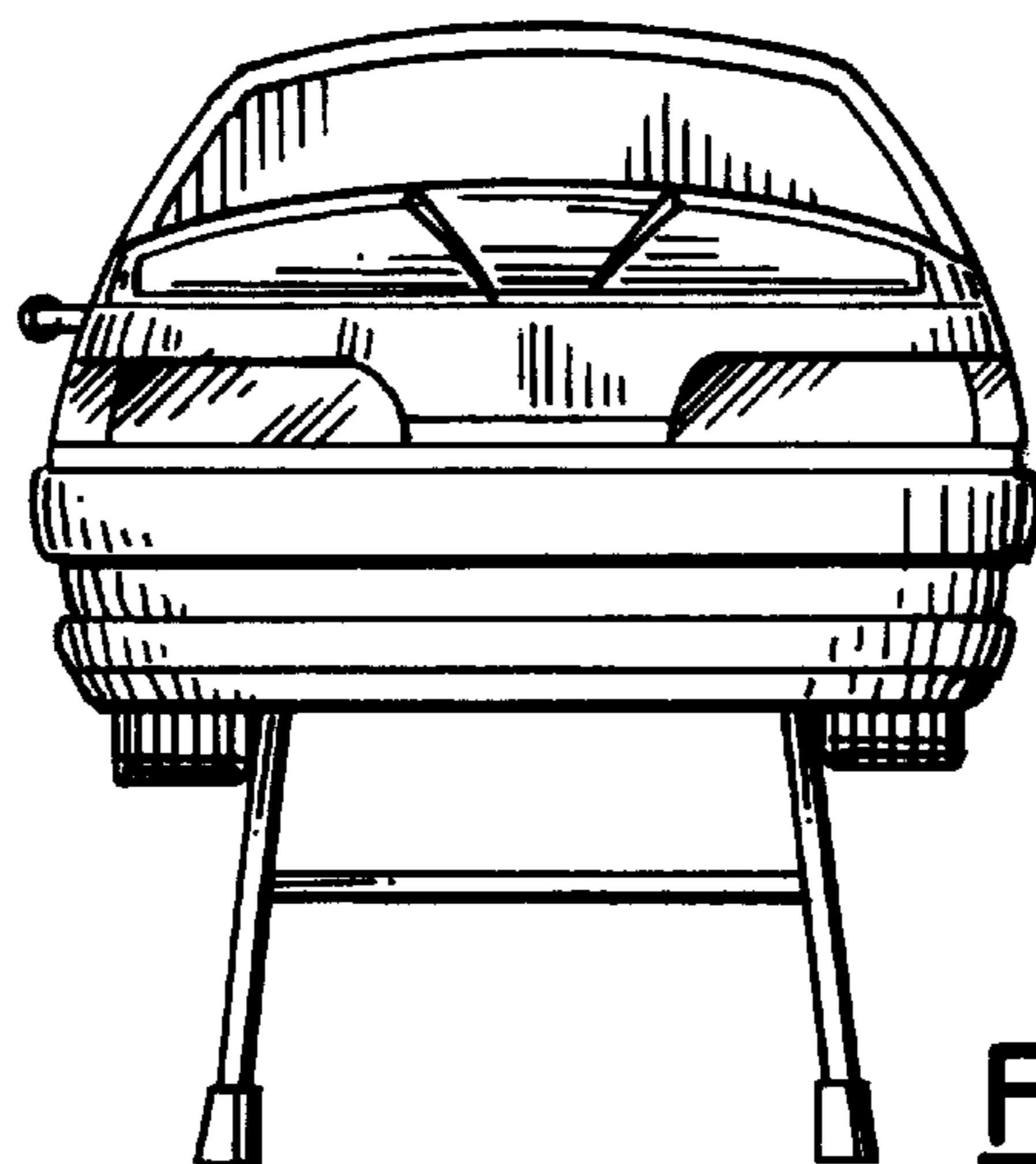


FIG. 5.

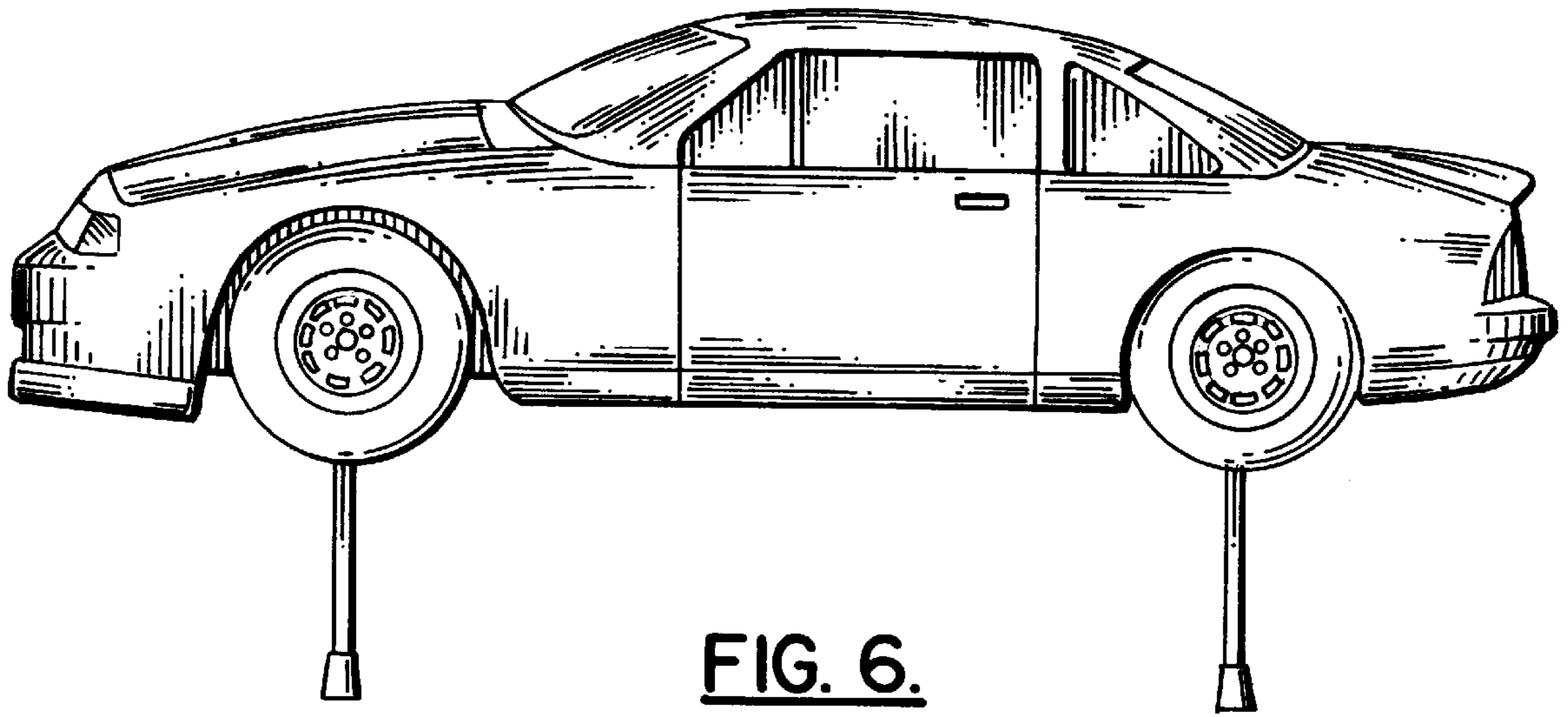


FIG. 6.

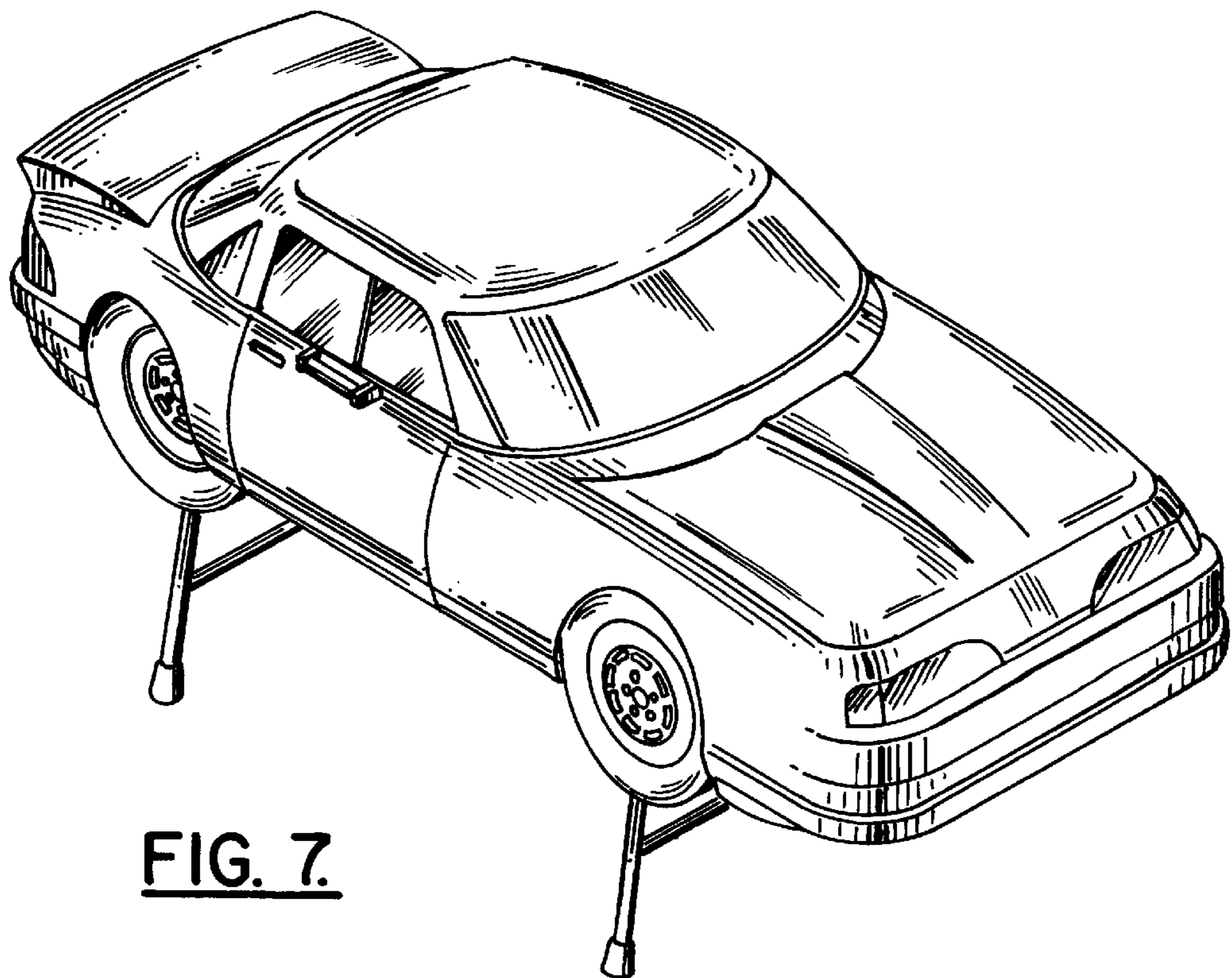


FIG. 7.

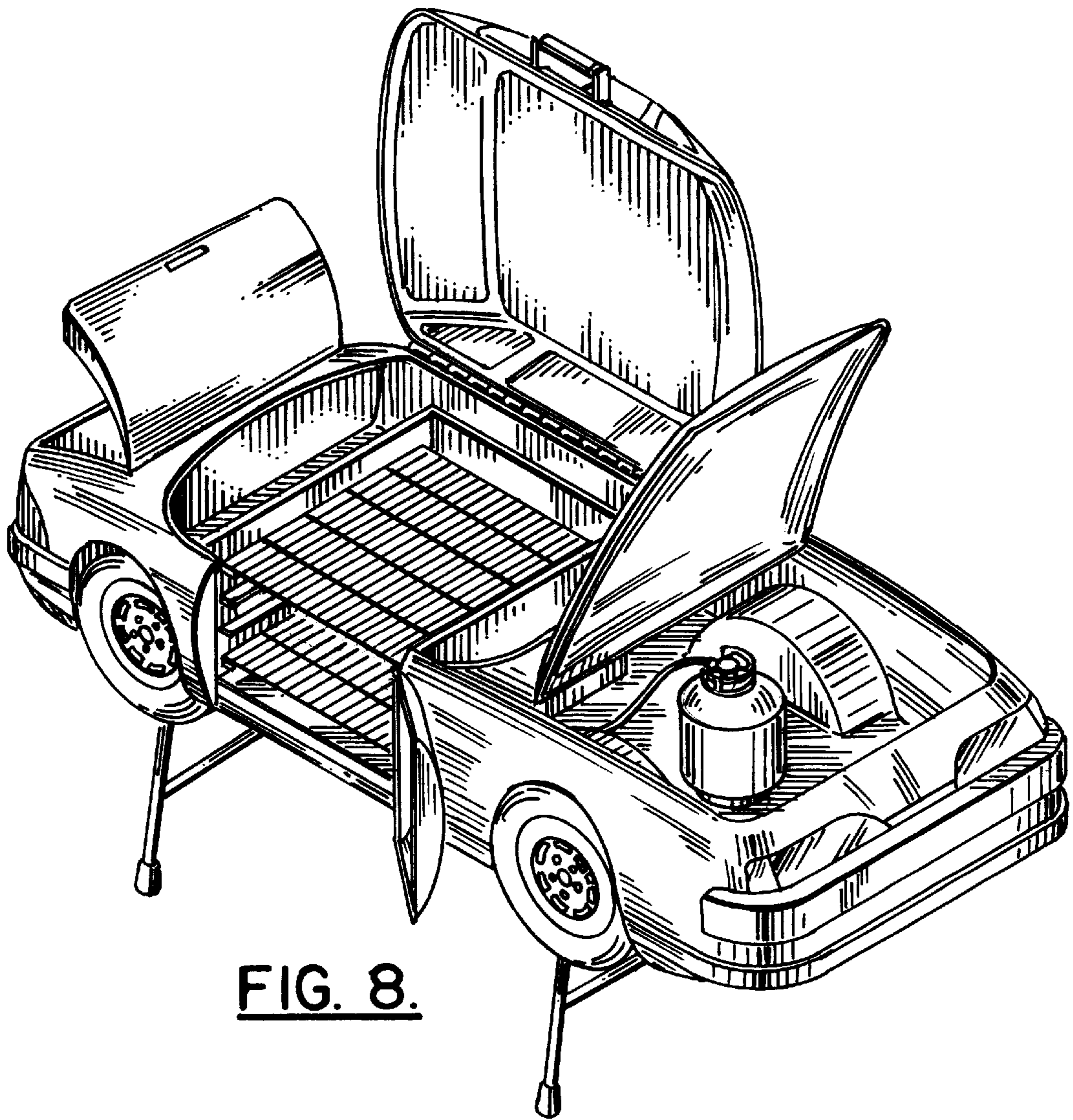


FIG. 8.

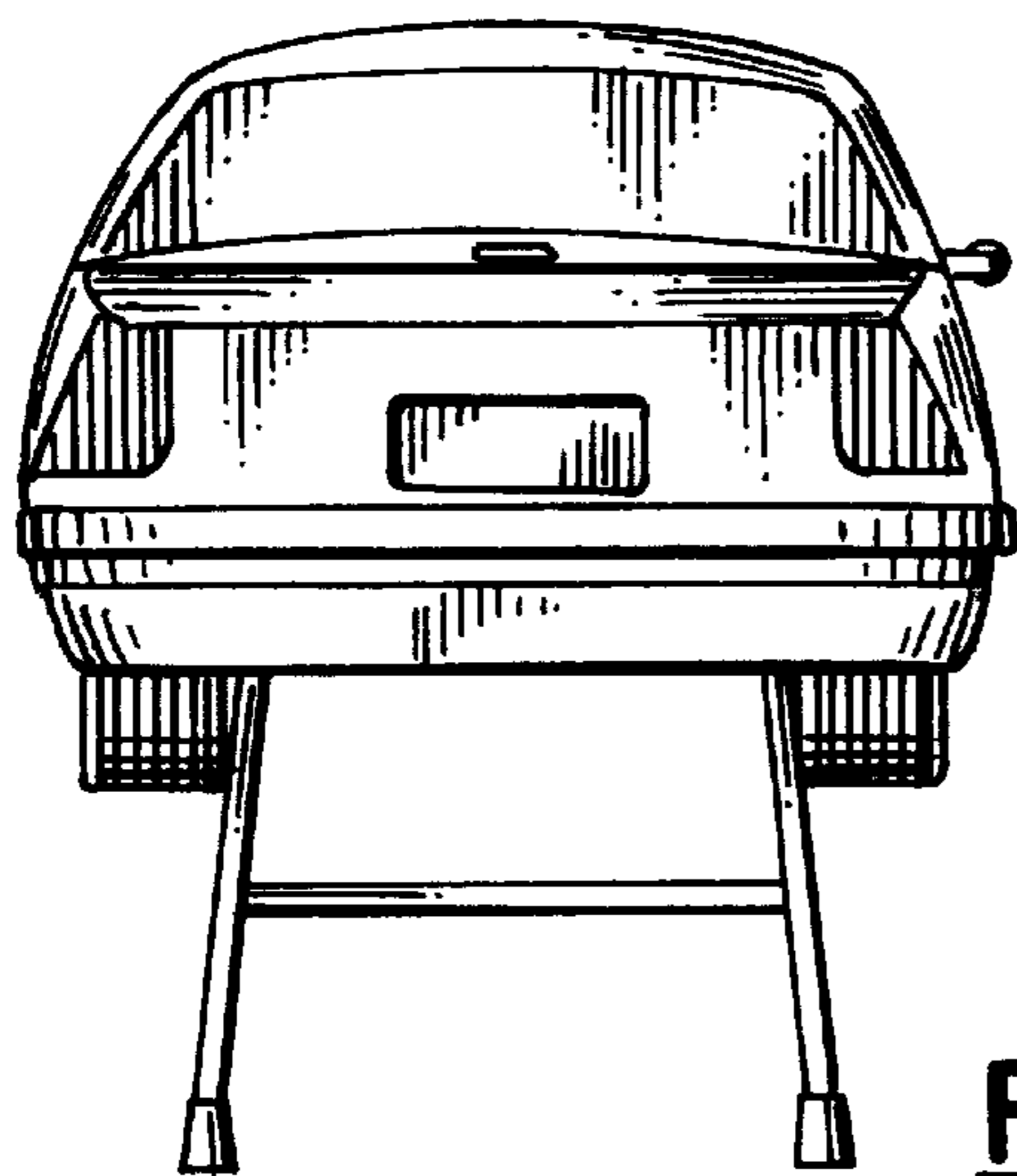


FIG. 9.