



US00D429943S

# United States Patent [19]

Yu

[11] **Patent Number: Des. 429,943**

[45] **Date of Patent: \*\* Aug. 29, 2000**

[54] **WATER CONTAINER**

[76] Inventor: **Charles Yao-Chou Yu**, 25603 Amber Leaf Rd., Torrance, Calif. 90505

[\*\*] Term: **14 Years**

[21] Appl. No.: **29/109,943**

[22] Filed: **Aug. 27, 1999**

[51] **LOC (7) Cl. .... 07-01**

[52] **U.S. Cl. .... D7/306; D7/312; D7/313**

[58] **Field of Search .... D7/306, 307, 313, D7/300, 312, 322; 222/185, 146.6**

|            |         |                   |           |
|------------|---------|-------------------|-----------|
| D. 335,744 | 5/1993  | Small et al. .... | D34/39    |
| D. 358,289 | 5/1995  | Thies et al. .... | D7/306    |
| D. 360,100 | 7/1995  | Berghe ....       | D7/306    |
| D. 378,883 | 4/1997  | Magnusson ....    | D7/306    |
| D. 379,050 | 5/1997  | Kohanski ....     | D7/313    |
| D. 380,641 | 7/1997  | Randle ....       | D7/313    |
| D. 392,837 | 3/1998  | Lee ....          | D7/306    |
| D. 400,390 | 11/1998 | Gebhard ....      | D7/313    |
| 4,170,320  | 10/1979 | Eager ....        | 222/146.6 |

*Primary Examiner*—M. N. Pandozzi  
*Attorney, Agent, or Firm*—Rosenberg, Klein & Lee

## [57] CLAIM

The ornamental design for a water container, as shown and described.

## [56] References Cited

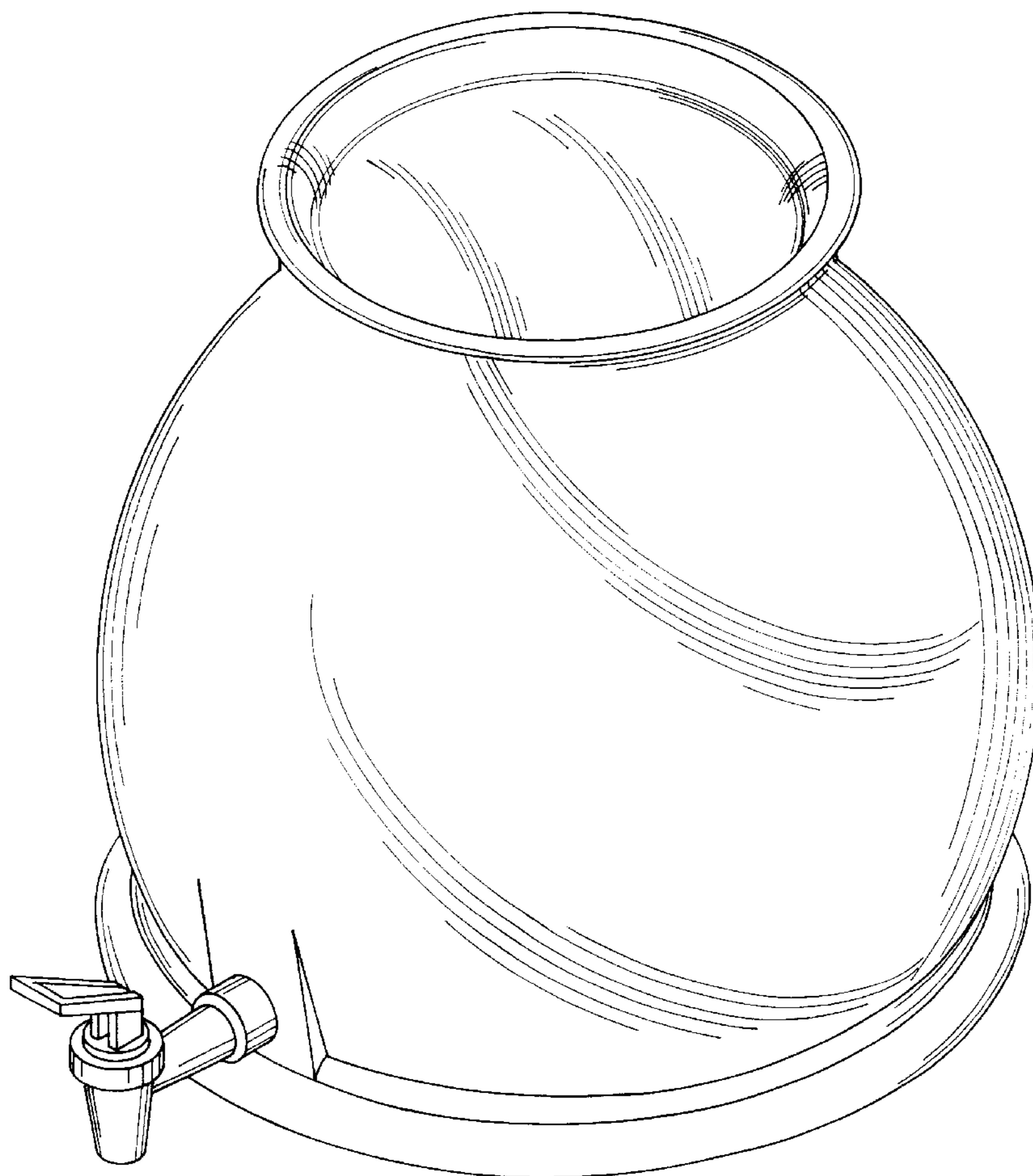
### U.S. PATENT DOCUMENTS

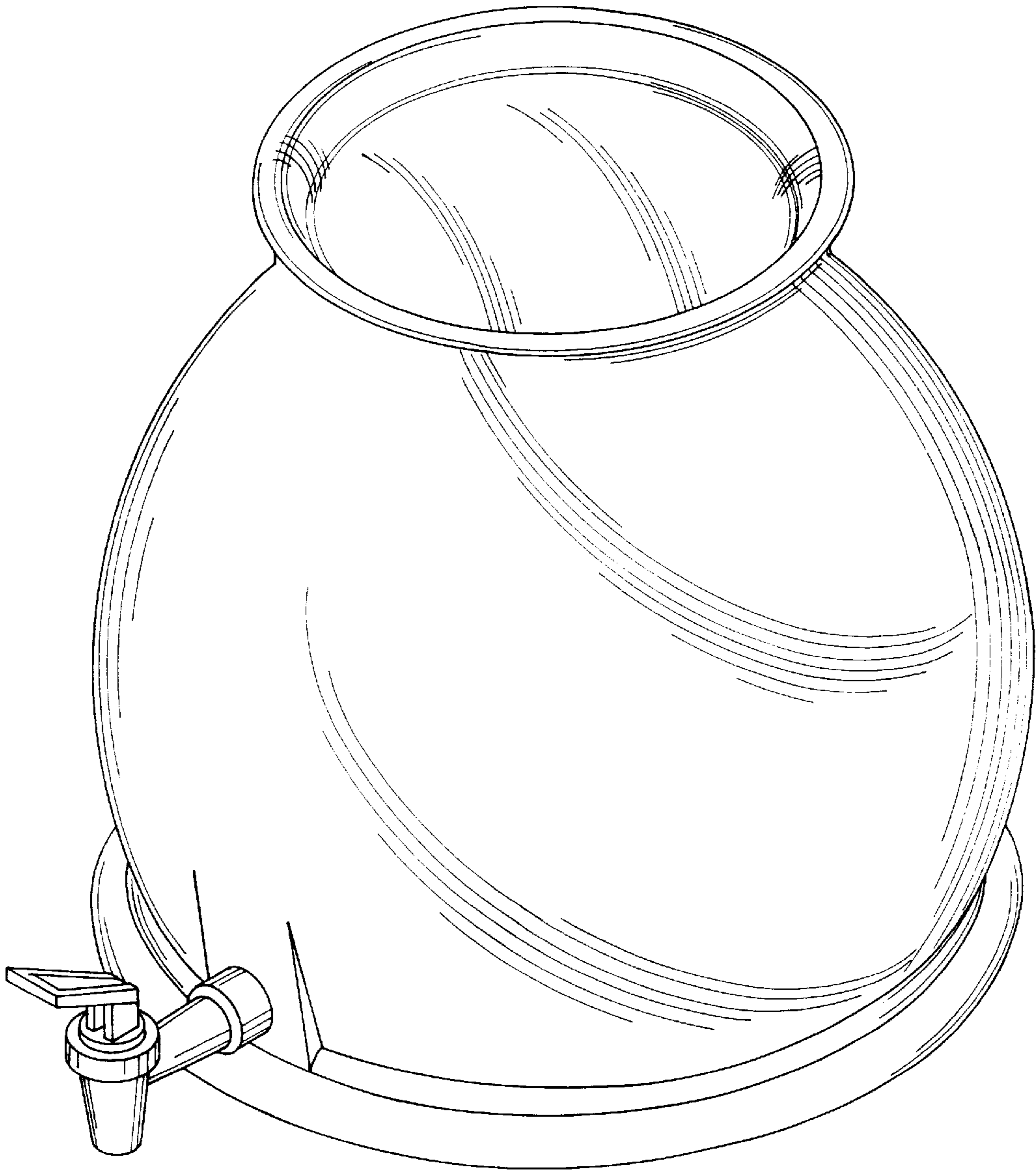
|            |        |                 |        |
|------------|--------|-----------------|--------|
| D. 59,137  | 9/1921 | travis .....    | D7/312 |
| D. 75,151  | 5/1928 | Cordley .....   | D7/312 |
| D. 103,078 | 2/1937 | harrison .....  | D7/313 |
| D. 181,039 | 9/1957 | brown .....     | D7/313 |
| D. 186,237 | 9/1959 | Iax .....       | D7/313 |
| D. 192,529 | 4/1962 | Painter .....   | D7/313 |
| D. 253,988 | 1/1980 | Eager .....     | D7/313 |
| D. 262,711 | 1/1982 | Cox et al. .... | D7/313 |
| D. 309,231 | 7/1990 | Larson .....    | D7/313 |
| D. 326,977 | 6/1992 | Larson .....    | D7/313 |

## DESCRIPTION

FIG. 1 is a perspective view of a water container showing my new design;  
FIG. 2 is a front elevational view thereof;  
FIG. 3 is a rear elevational view thereof;  
FIG. 4 is a left side elevational view thereof;  
FIG. 5 is a right side elevational view thereof;  
FIG. 6 is a top plan view thereof; and,  
FIG. 7 is a bottom plan view thereof.

**1 Claim, 5 Drawing Sheets**





F I G . 1

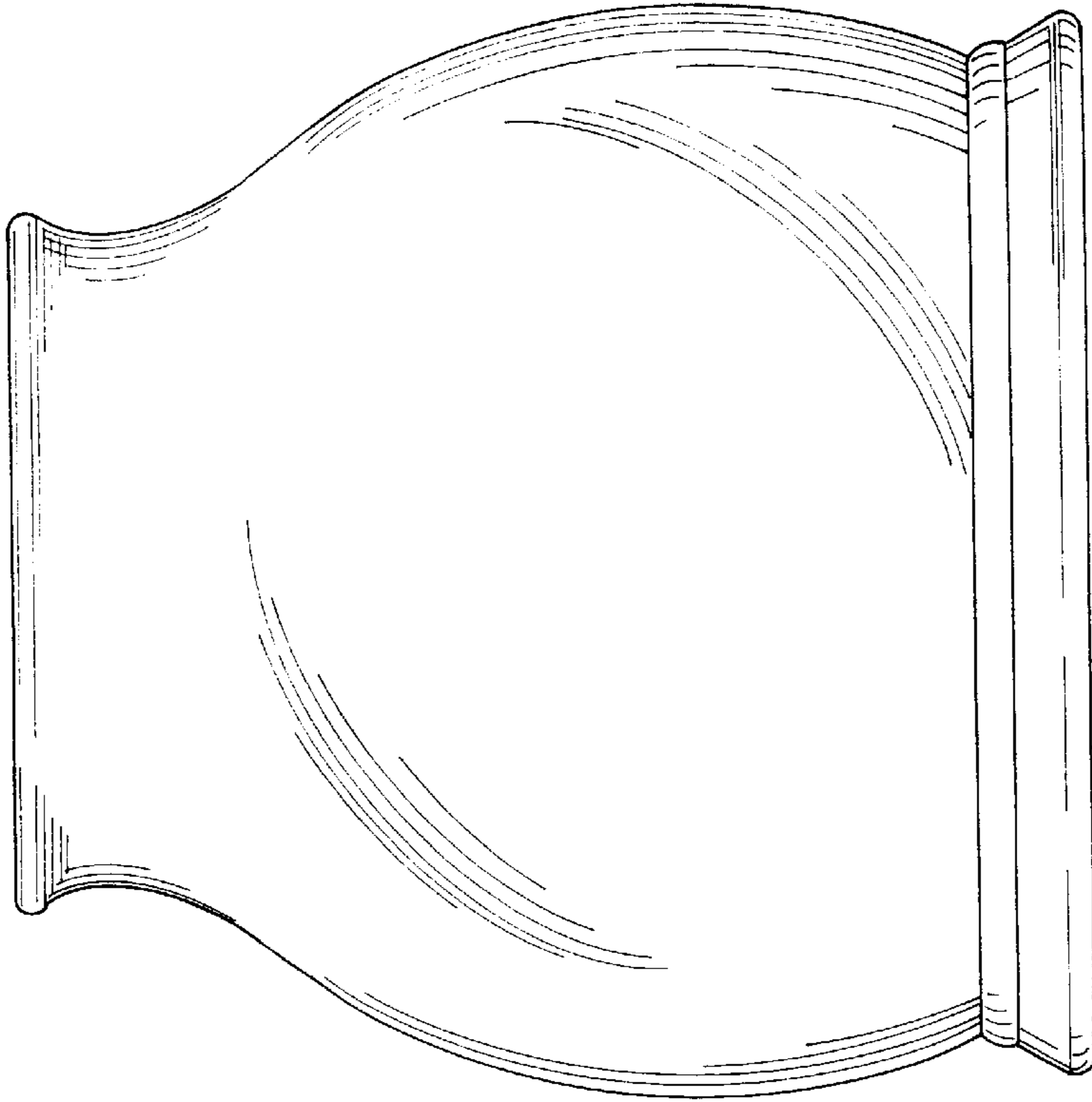


FIG. 3

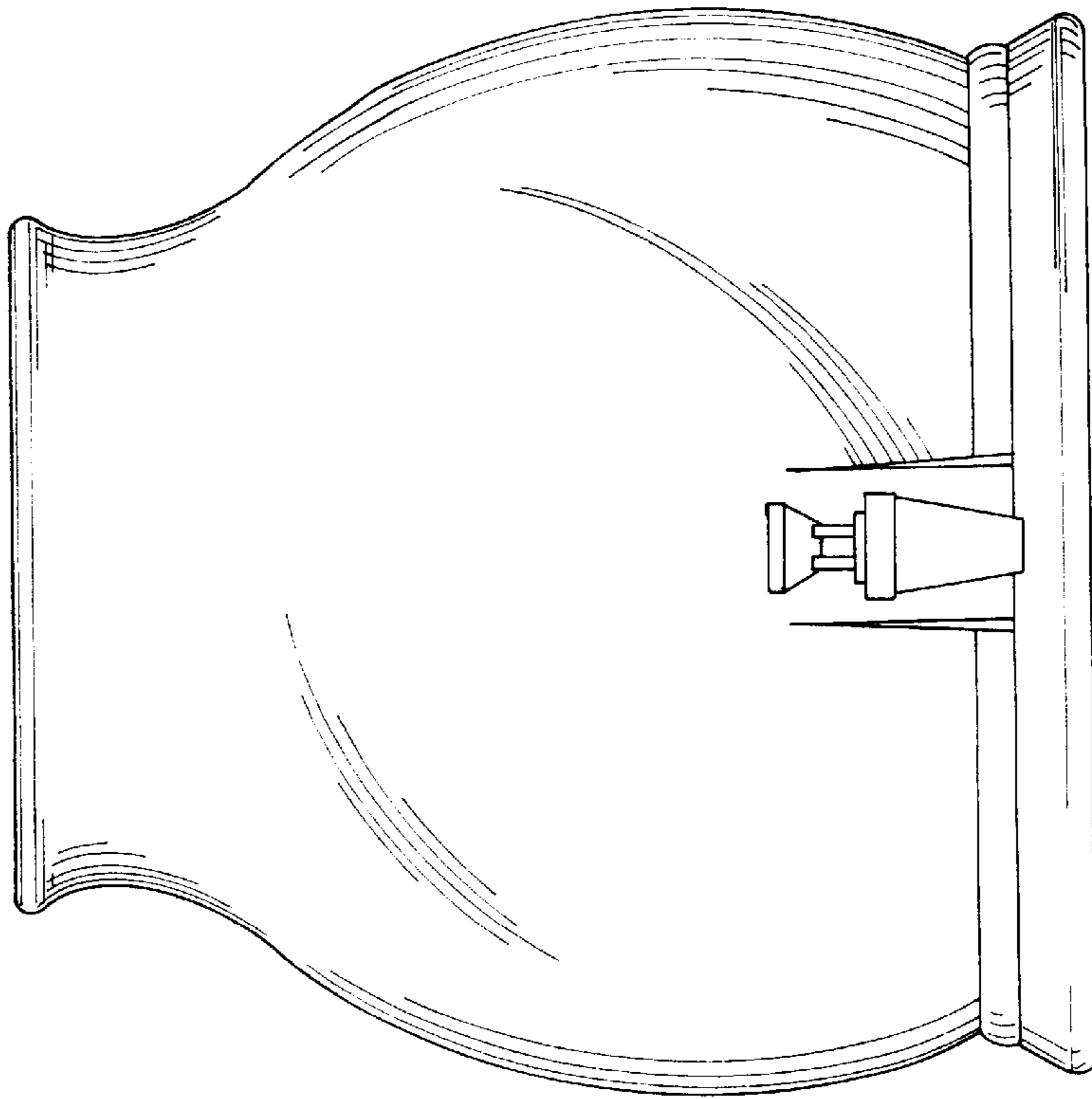


FIG. 2

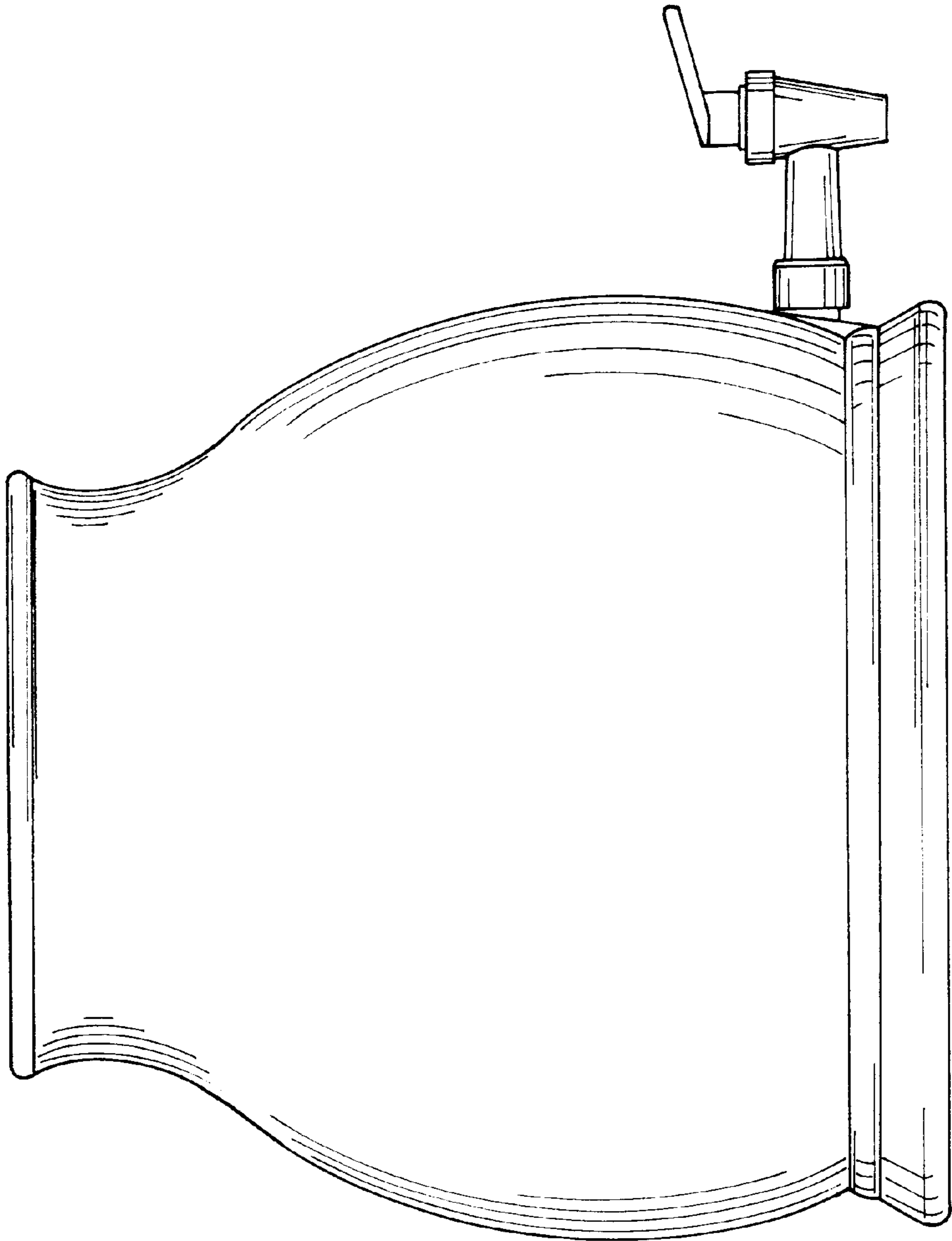


FIG. 4

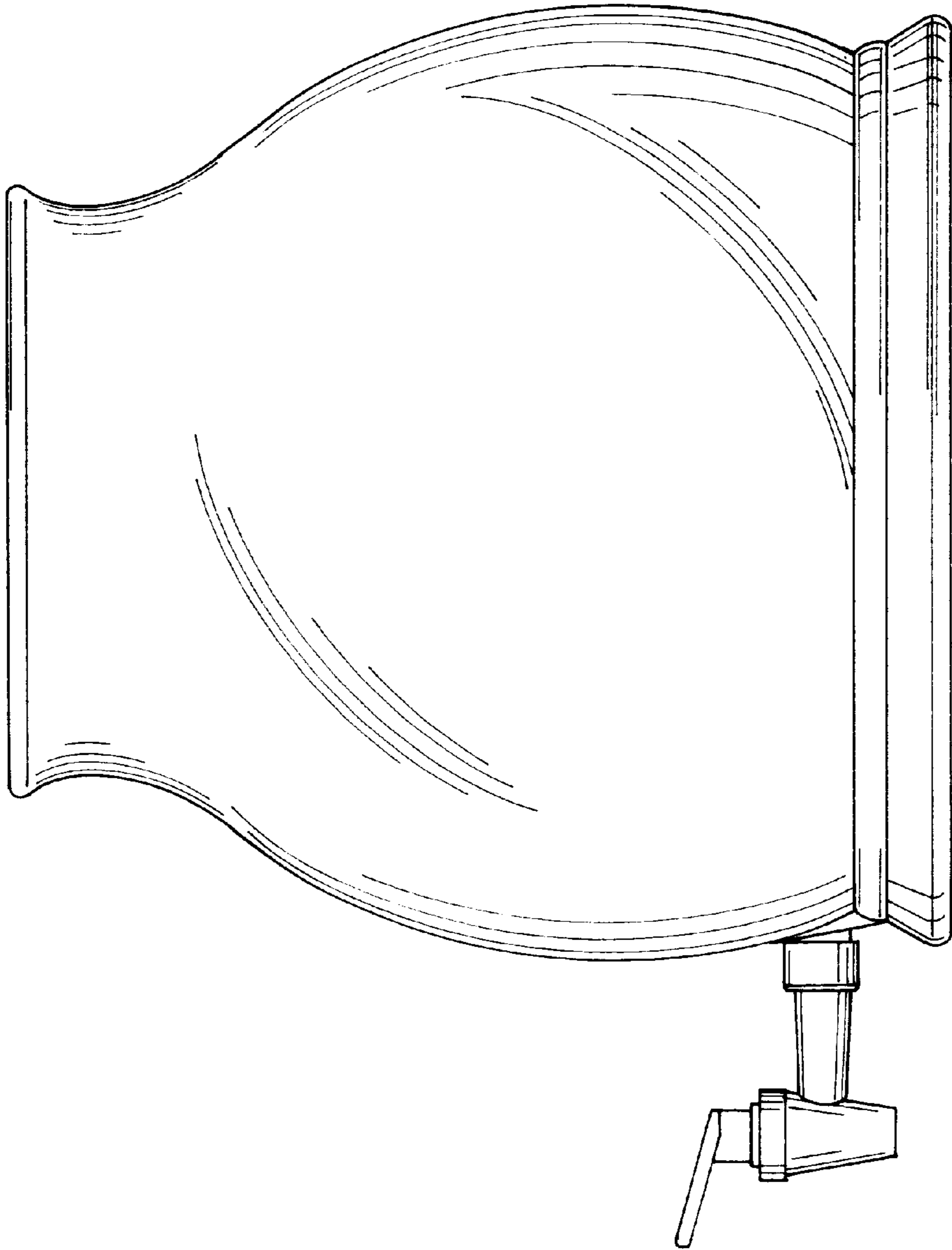


FIG. 5

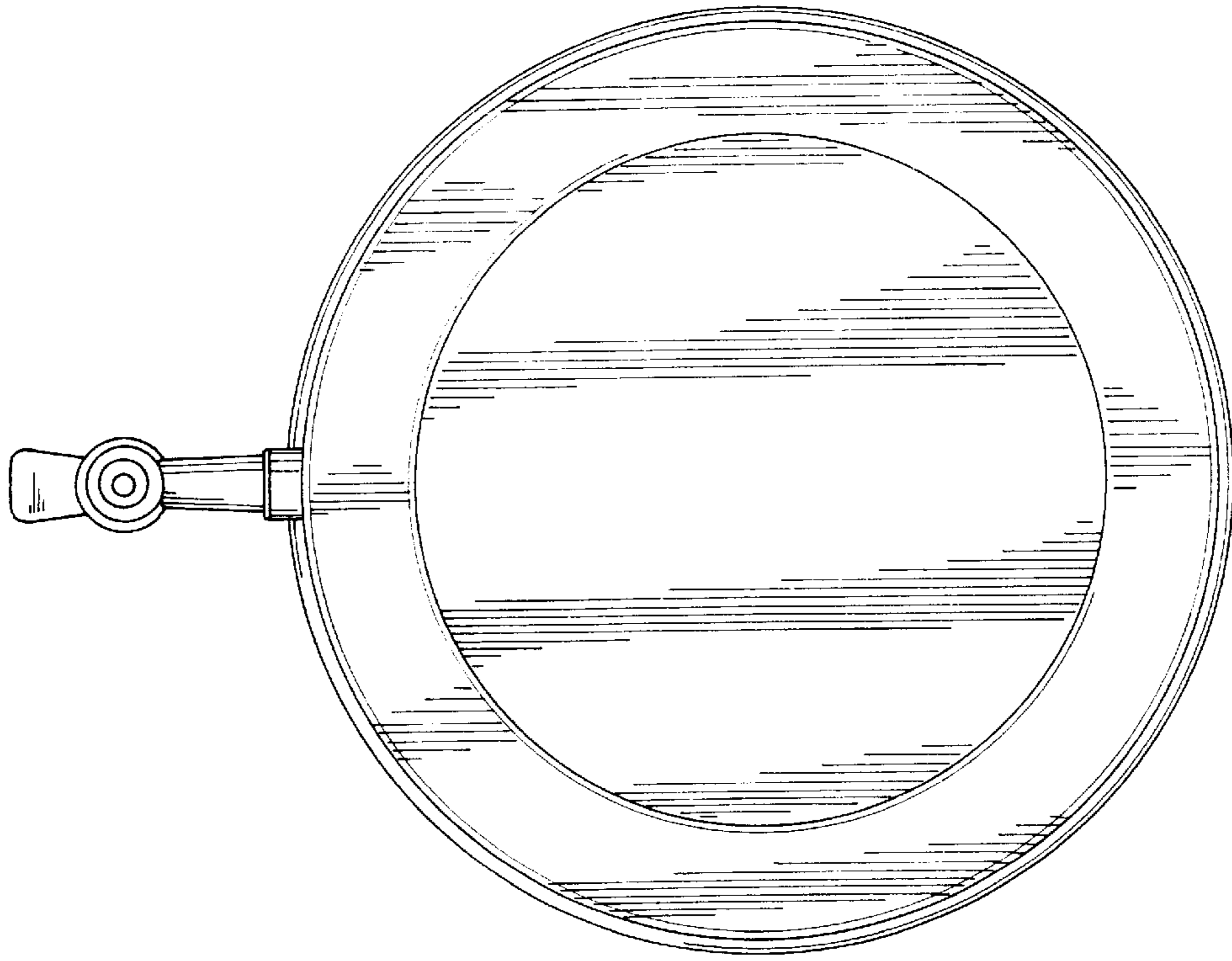


FIG. 7

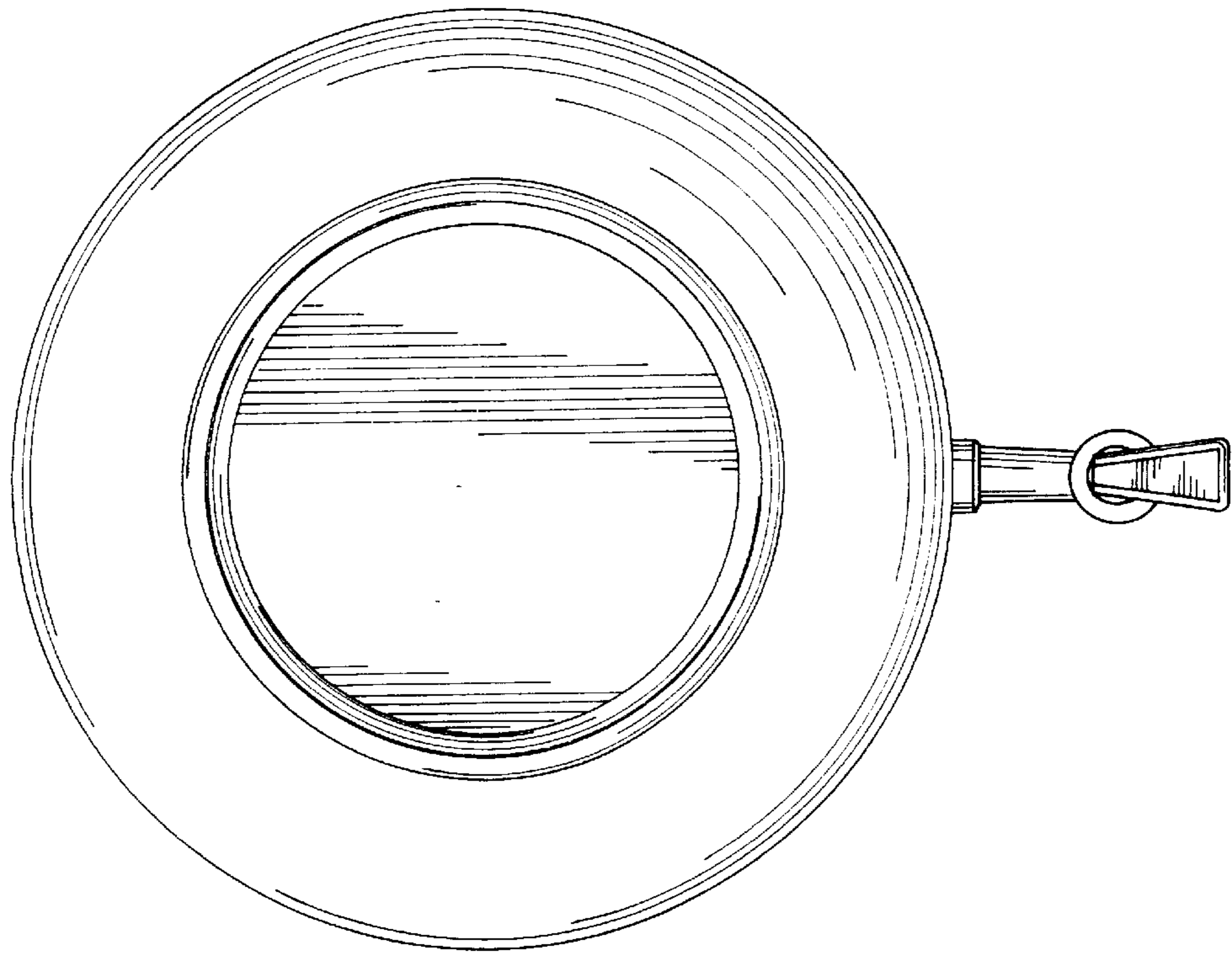


FIG. 6