



US00D429934S

United States Patent [19]
Hofman

[11] **Patent Number: Des. 429,934**

[45] **Date of Patent: ** Aug. 29, 2000**

[54] **POLE CADDY**

D. 389,999 2/1998 Daigle et al. D6/525 X
D. 417,107 11/1999 Patel et al. D6/562 X

[75] Inventor: **James A. Hofman**, Hockessin, Del.

Primary Examiner—Brian N. Vinson

[73] Assignee: **Zenith Products Corp.**, New Castle, Del.

Attorney, Agent, or Firm—Edgar A. Zarins; Lloyd D. Doigan

[**] Term: **14 Years**

[57] **CLAIM**

[21] Appl. No.: **29/109,402**

The ornamental design for a pole caddy, as shown and described.

[22] Filed: **Aug. 13, 1999**

DESCRIPTION

[51] **LOC (7) Cl.** **23-02**

FIG. 1 is a perspective view of a pole caddy showing my new design;

[52] **U.S. Cl.** **D6/525; D6/562**

FIG. 2 is a right side elevational view thereof, the opposite side being a mirror image of the side shown;

[58] **Field of Search** D6/524, 525, 569,
D6/570; 312/242, 245; 211/86, 87, 88,
90, 126.1, 126.2, 134, 188

FIG. 3 is a top plan view thereof;

FIG. 4 is a bottom plan view thereof;

[56] **References Cited**

U.S. PATENT DOCUMENTS

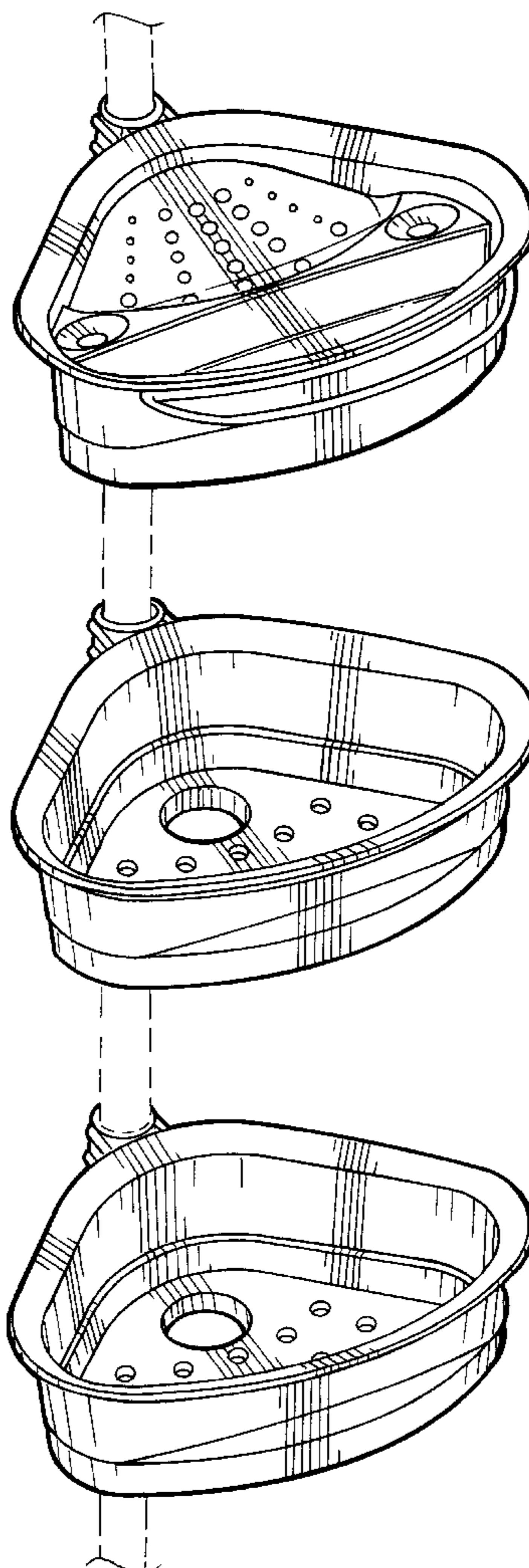
D. 323,439	1/1992	Emery	D6/562
D. 364,767	12/1995	McLinden	D6/525
D. 379,412	5/1997	Hampshire	D6/562 X
D. 382,751	8/1997	Andrus	D6/525
D. 388,642	1/1998	Winter	D6/525

FIG. 5 is a front elevational view thereof; and,

FIG. 6 is a rear elevational view thereof.

The fragmentary broken-line disclosure of the pole element in the views is for illustrative purposes only and forms no part of the claimed design.

1 Claim, 4 Drawing Sheets



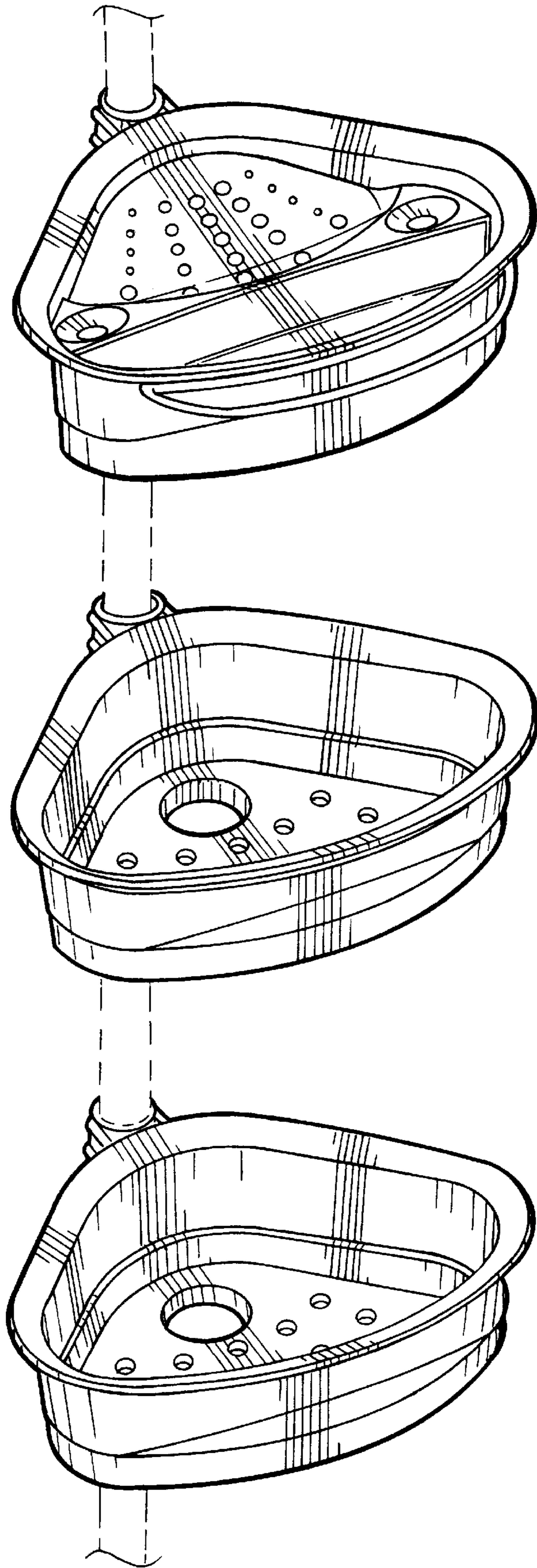


Fig-1

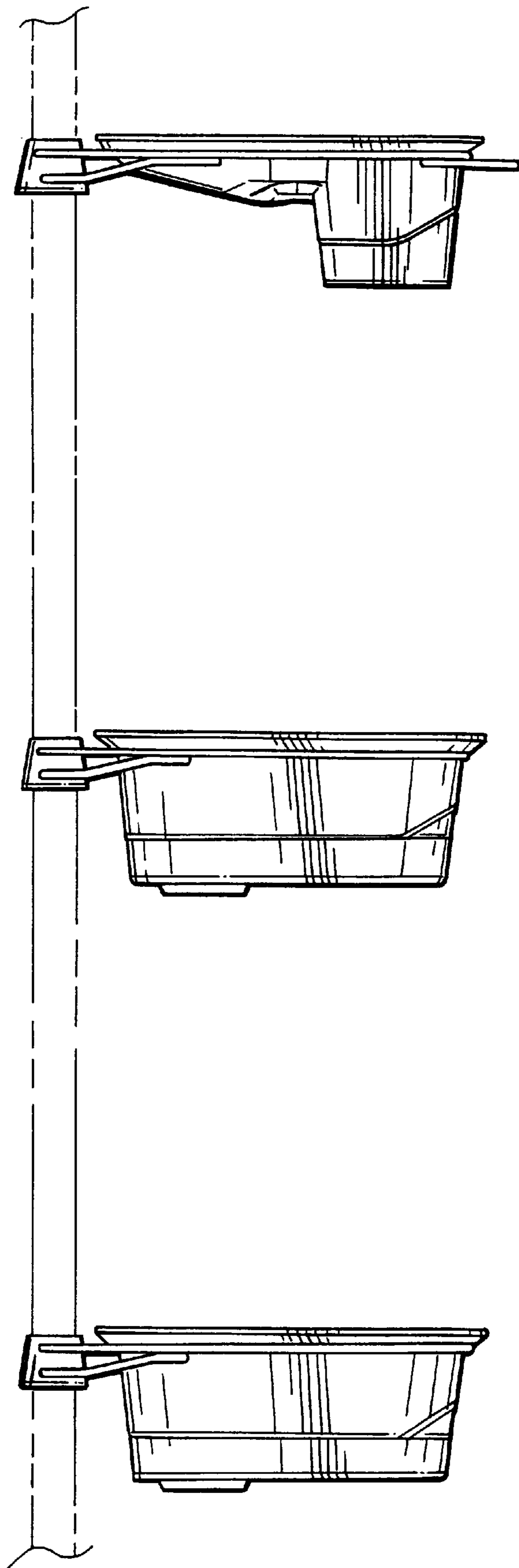


Fig-2

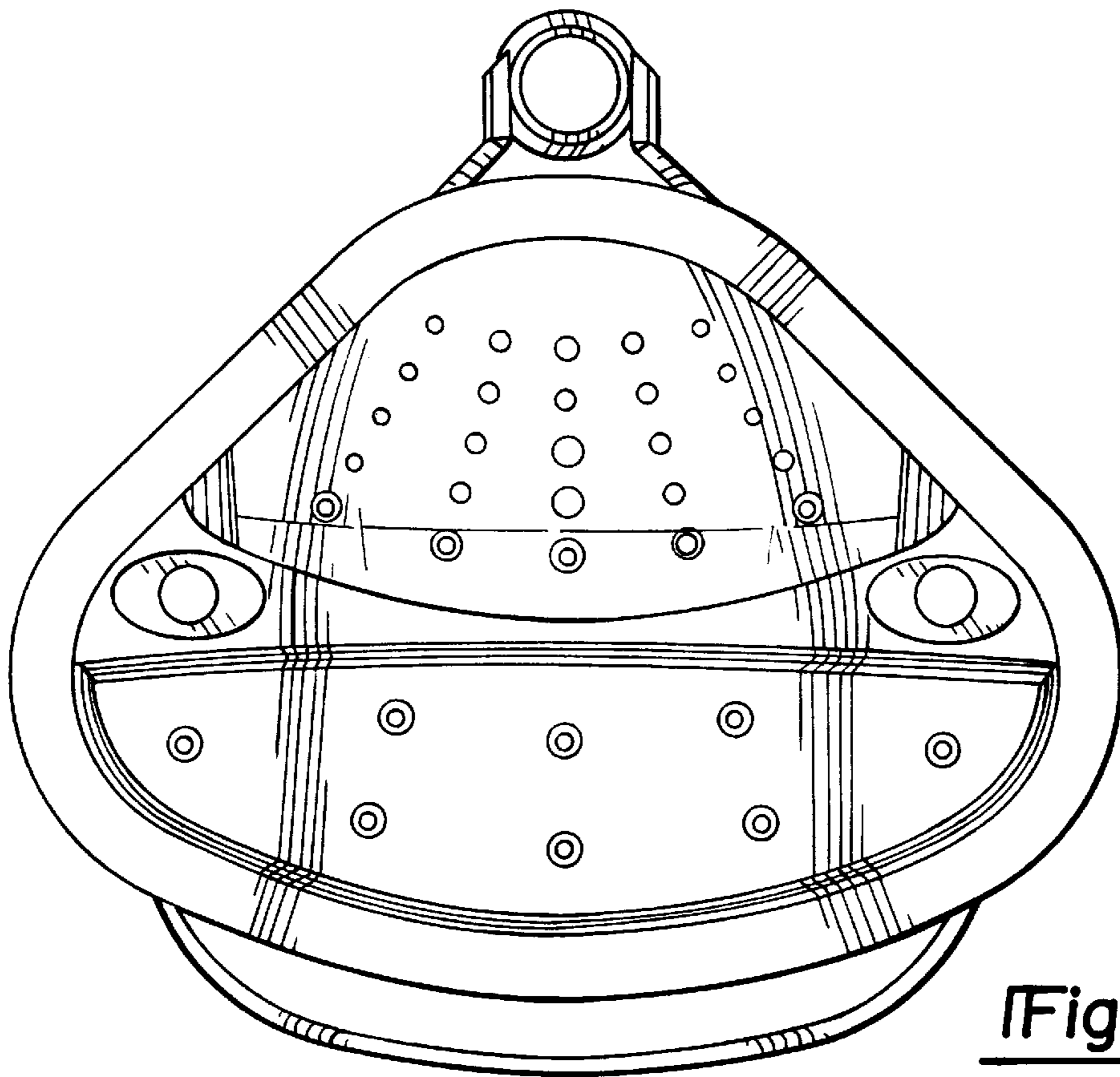


Fig-3

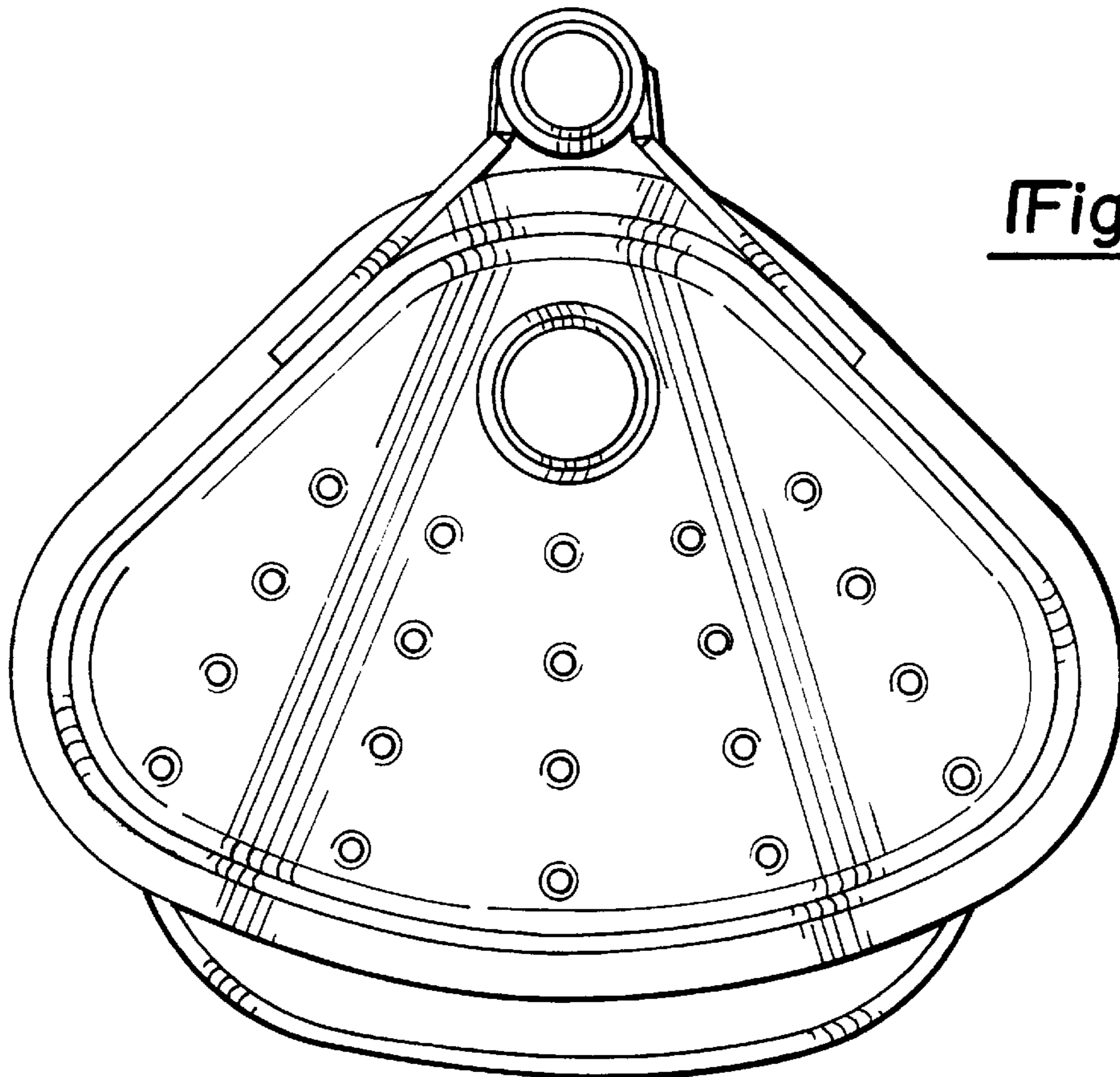


Fig-4

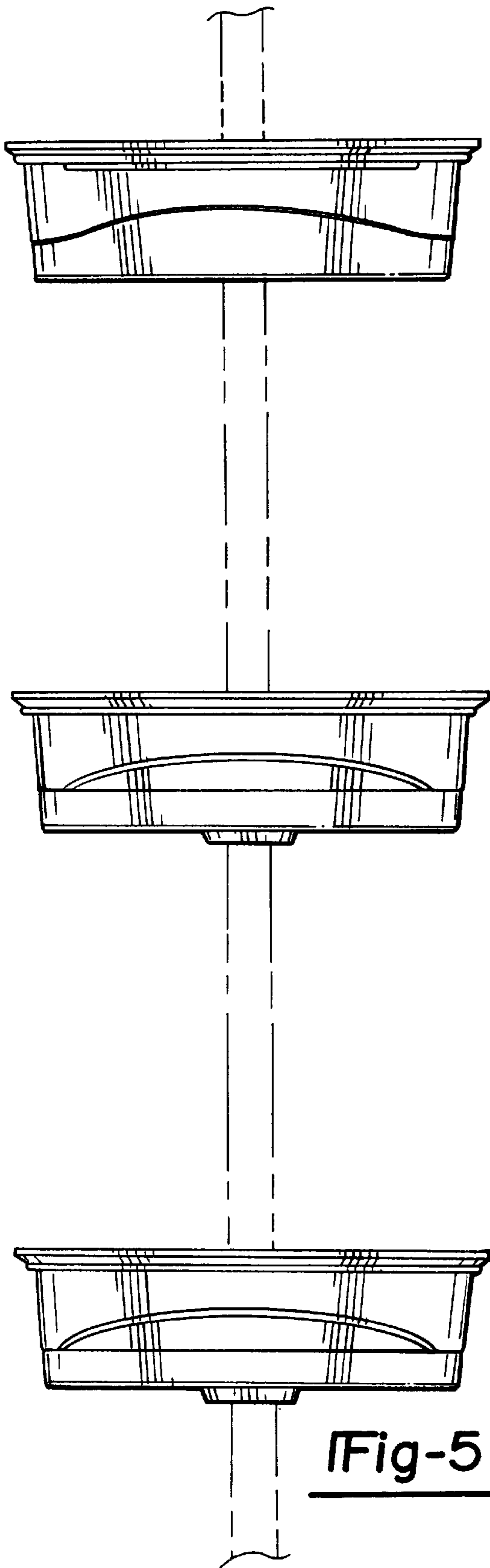


Fig-5

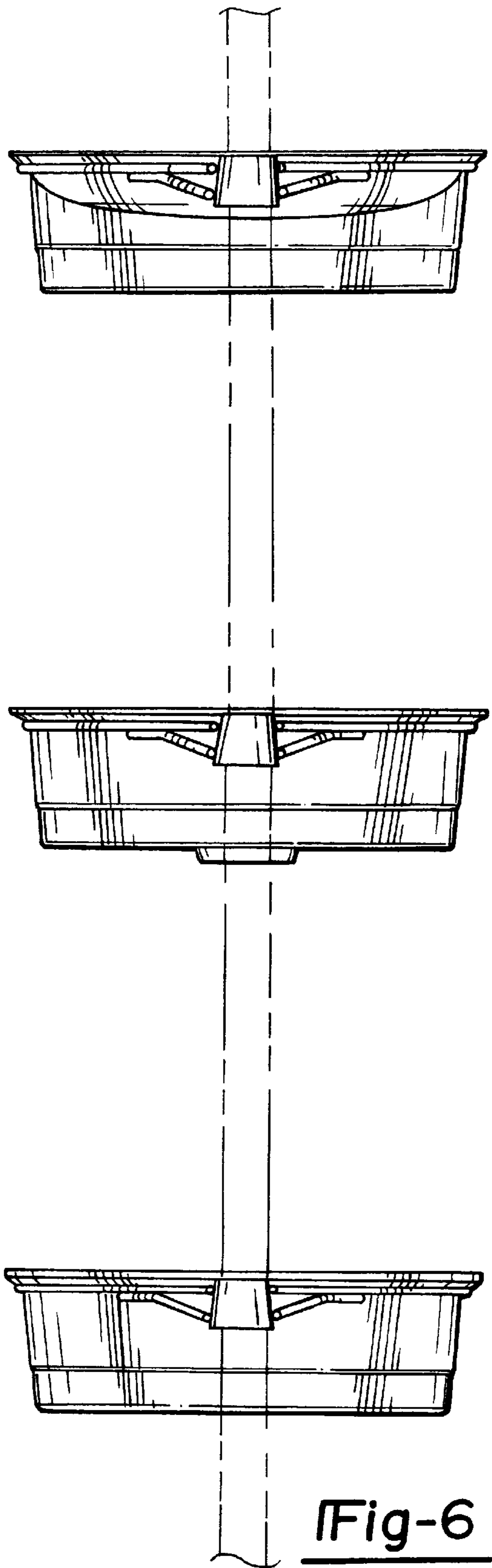


Fig-6