



US00D429929S

United States Patent [19]

Benson

[11] Patent Number: Des. 429,929

[45] Date of Patent: ** Aug. 29, 2000

[54] ORGANIZER FOR A PLAYYARD

[75] Inventor: Julie M. Benson, Lancaster, Pa.

[73] Assignee: Graco Children's Products Inc., Elverson, Pa.

[**] Term: 14 Years

[21] Appl. No.: 29/109,504

[22] Filed: Aug. 18, 1999

[51] LOC (7) Cl. 06-99

[52] U.S. Cl. D6/503

[58] Field of Search D6/331, 333, 390, D6/391, 503; 5/99.1, 93.1, 93.2, 94

[56] References Cited

U.S. PATENT DOCUMENTS

D. 382,718	8/1997	Mariol	D6/331
D. 393,392	4/1998	Hartenstine	D6/553
D. 407,915	4/1999	Mariol et al.	D6/391
5,778,465	7/1998	Myers	5/99.1
5,813,064	9/1998	Hartenstine	5/99.1
5,862,548	1/1999	Gerhart	5/93.1
5,867,850	2/1999	Mariol	5/93.2

Primary Examiner—Mitchell Siegel
Attorney, Agent, or Firm—Foley & Lardner

[57] CLAIM

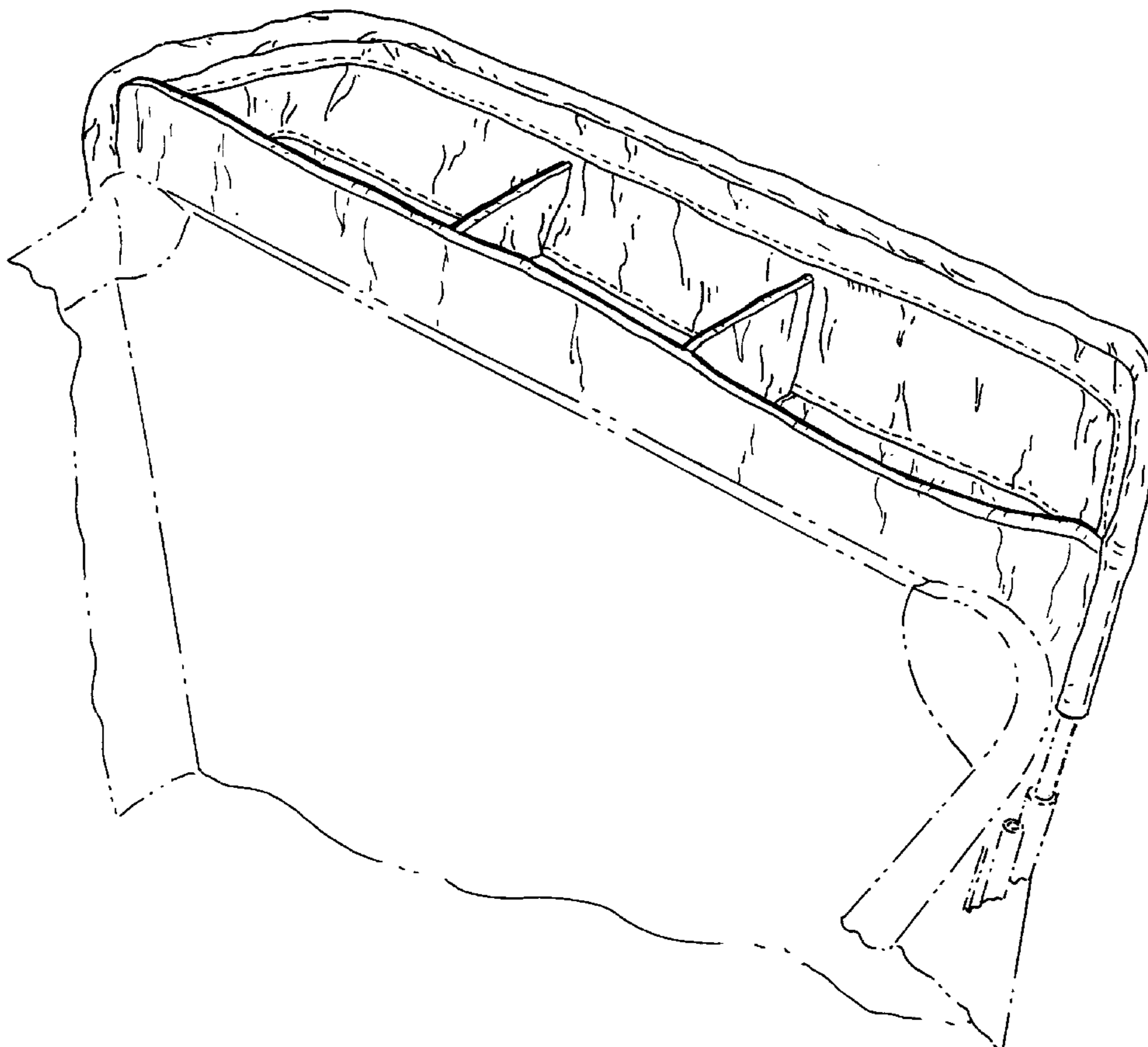
The ornamental design for an organizer for a playyard, as shown and described.

DESCRIPTION

FIG. 1 is a perspective view of a first embodiment of an organizer for a playyard showing my new design; FIG. 2 is a front elevation view thereof; FIG. 3 is a back elevation view thereof; FIG. 4 is a top plan view thereof; FIG. 5 is a bottom plan view thereof; FIG. 6 is a right-side elevation view thereof, the elevation view of the left side is a mirror image of the right-side elevation view; FIG. 7 is a top plan view of a second embodiment of an organizer for a playyard showing my new design; and, FIG. 8 is a perspective view thereof.

The front elevation, back elevation, bottom plan, right-side elevation, and left-side elevation views of the second embodiment of the organizer for a playyard are the same as those of the first embodiment of the organizer for a playyard. For each embodiment of my new design, the playyard and the mounting arrangements shown in broken lines are for illustrative purposes only and do not form a part of the present invention.

1 Claim, 6 Drawing Sheets



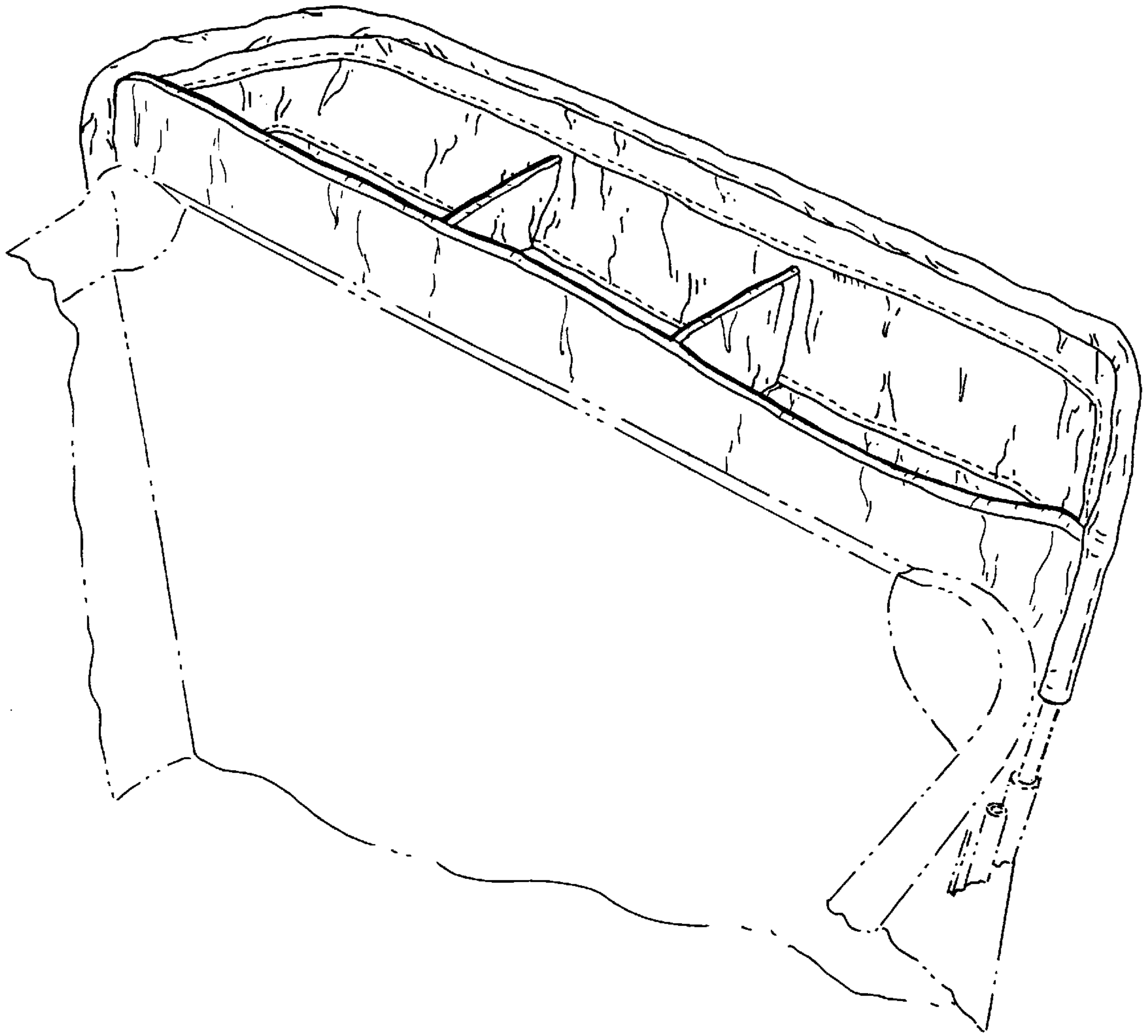


FIG. 1

FIG. 2

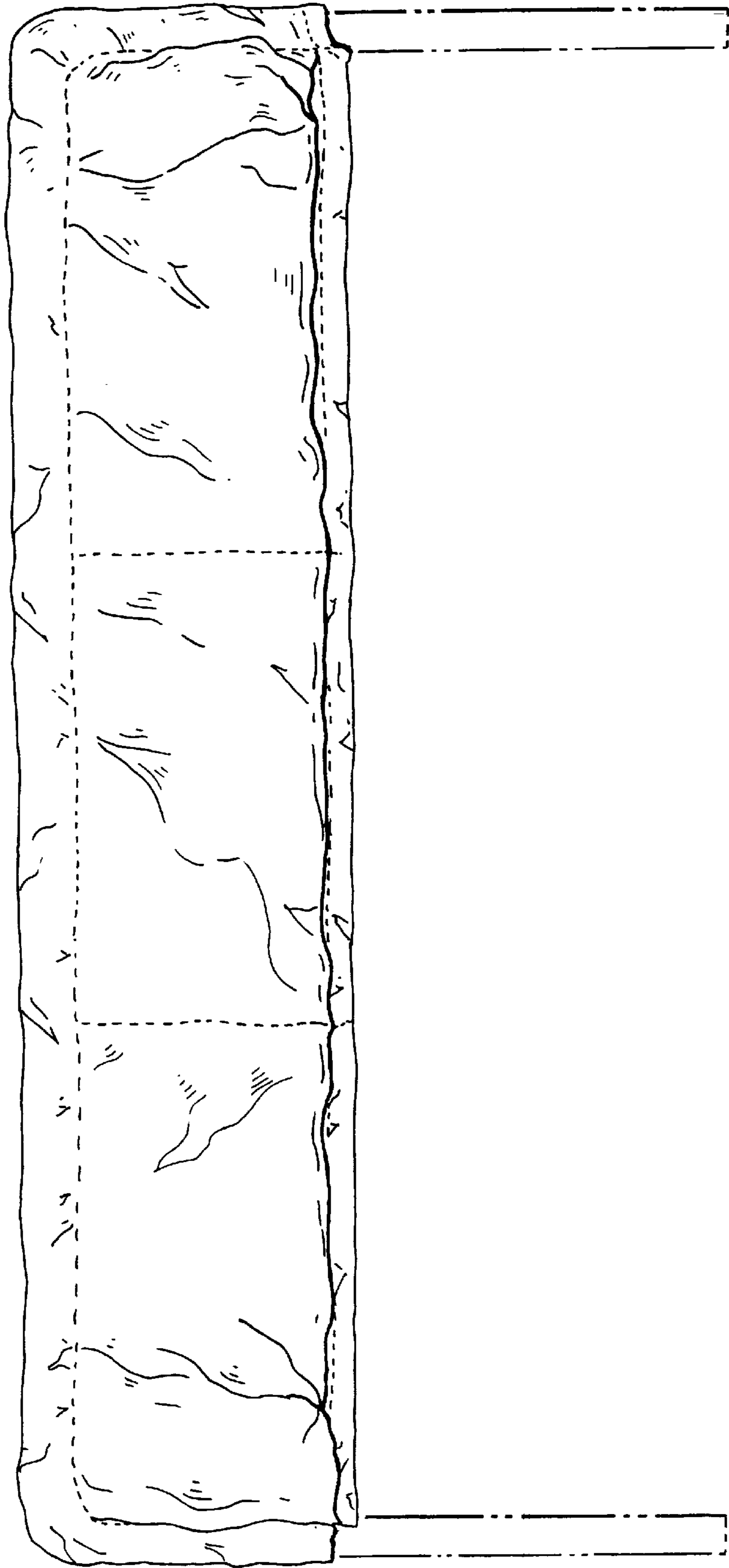
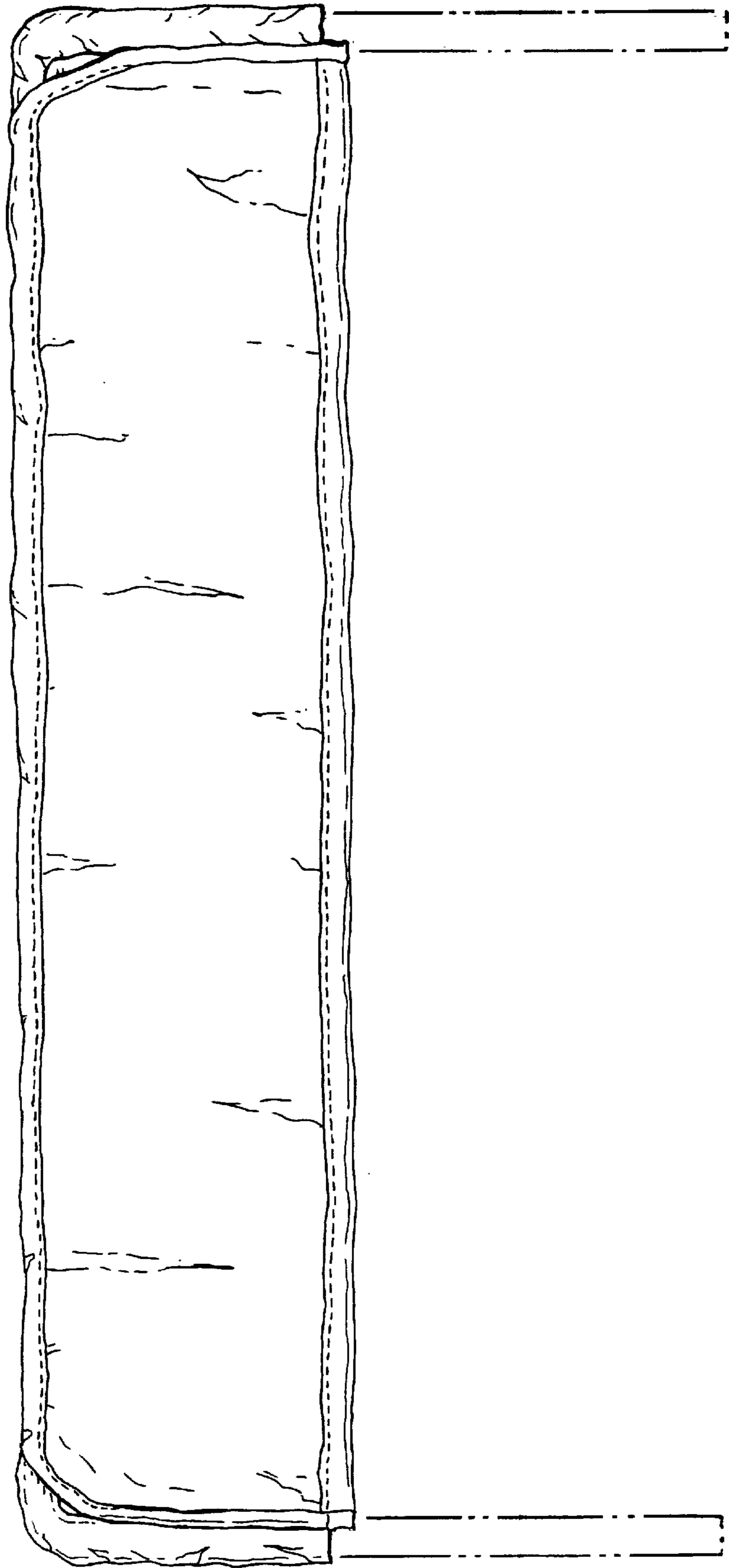


FIG. 3



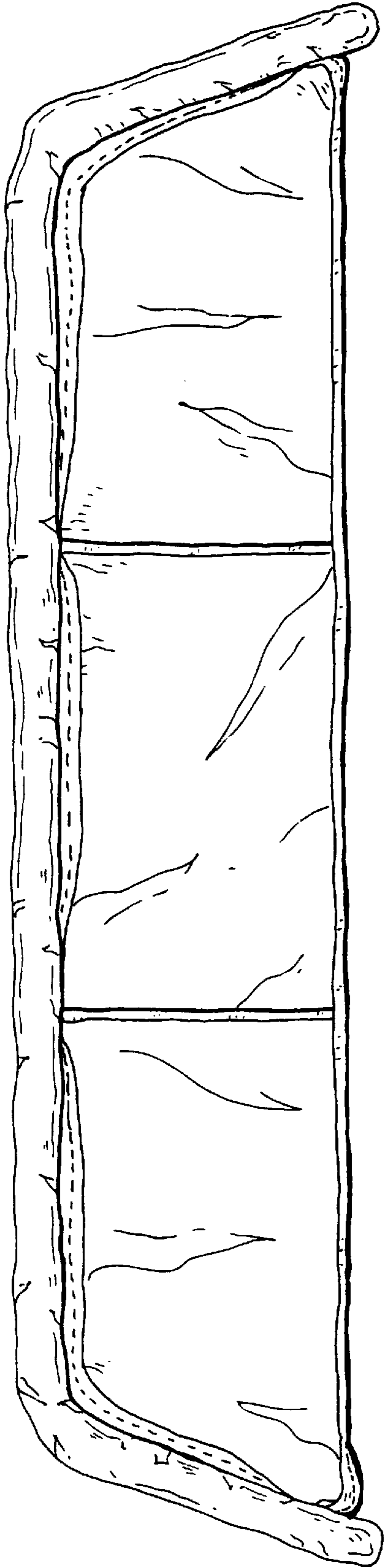


FIG. 4

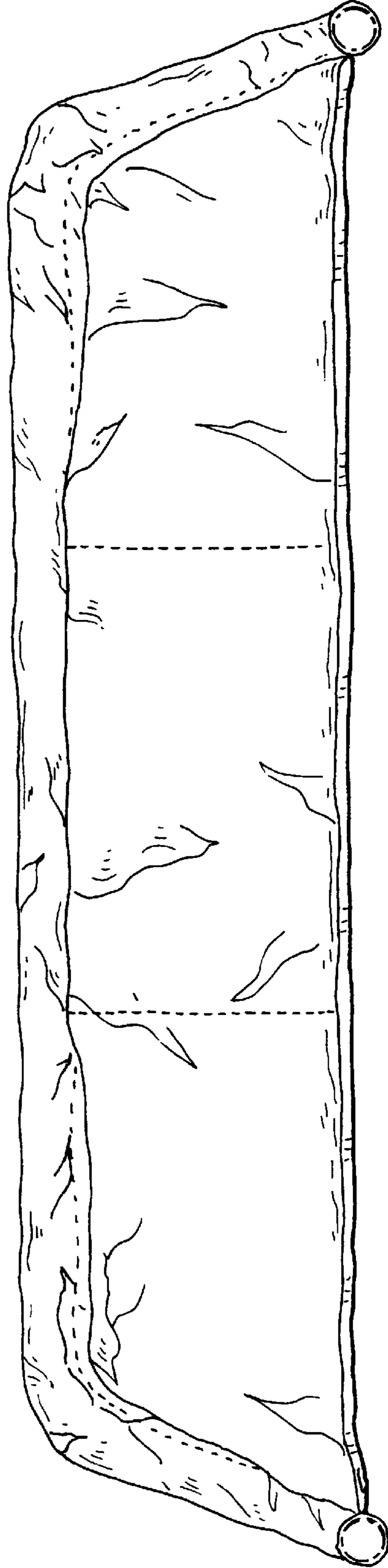


FIG. 5

FIG. 6

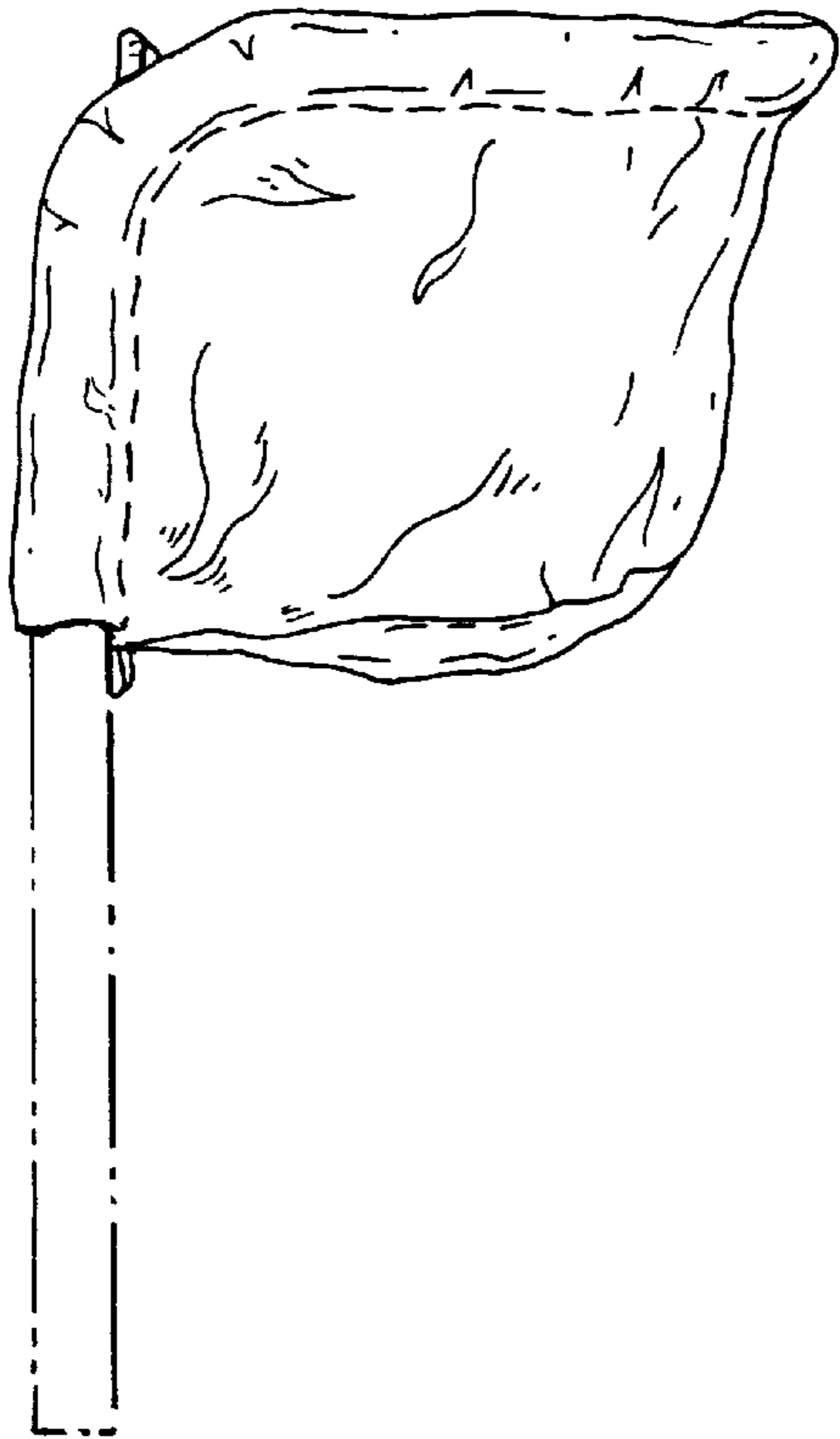
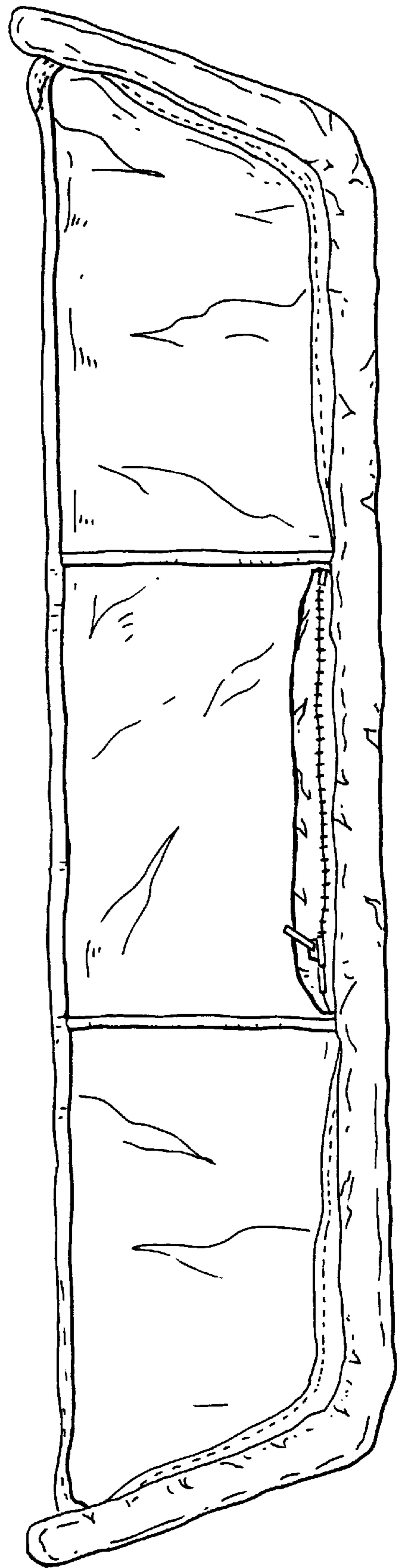


FIG. 7



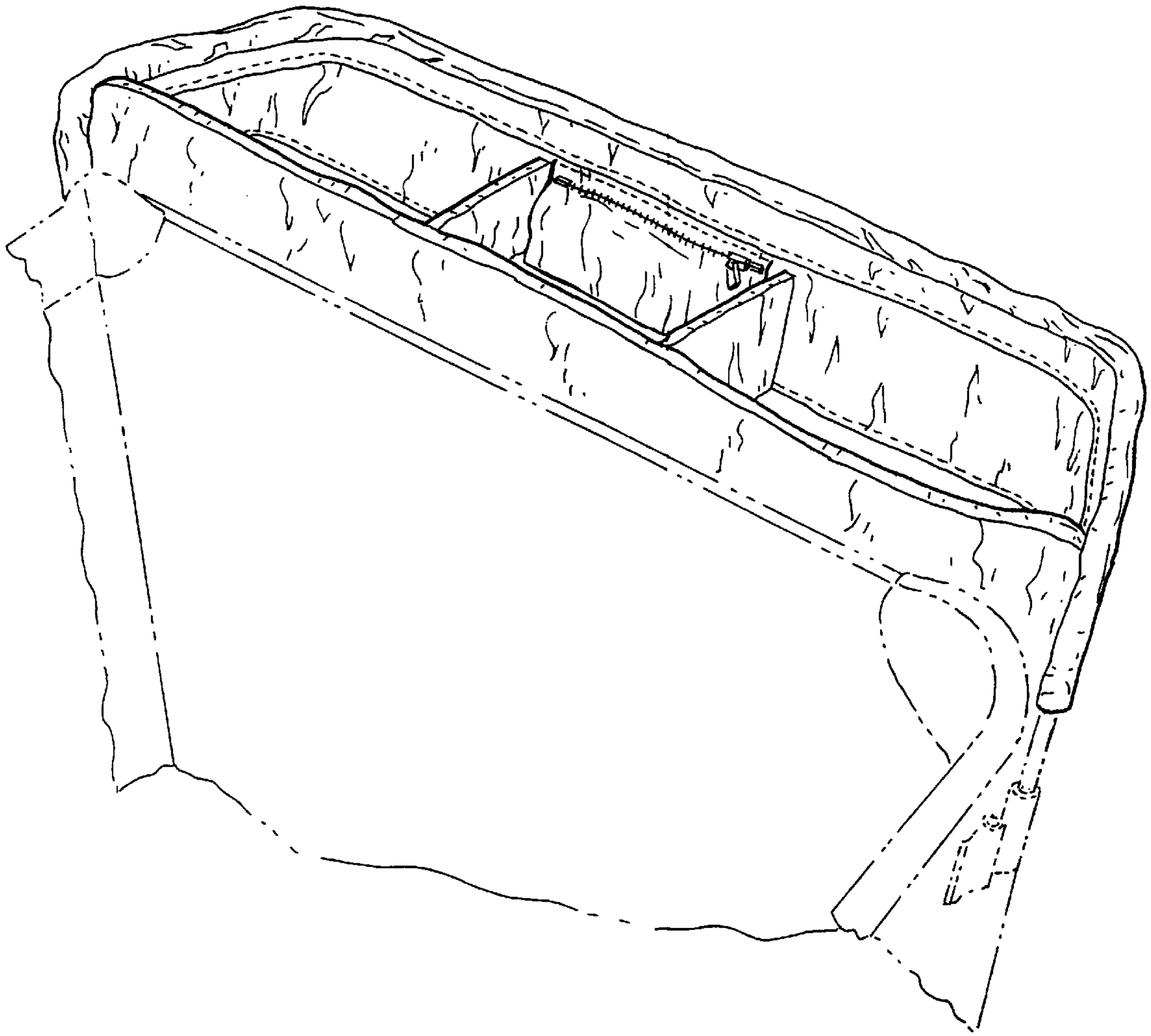


FIG. 8