



US00D429928S

# United States Patent [19] Suzuki

[11] **Patent Number: Des. 429,928**

[45] **Date of Patent: \*\* Aug. 29, 2000**

[54] **CHAIR SEAT**

D. 360,551 7/1995 Nakata ..... D6/502  
3,712,670 1/1973 Svehla et al. .... 297/452.55

[75] Inventor: **Takashi Suzuki**, Hamamatsu, Japan

[73] Assignee: **Yamaha Corporation**, Tokyo, Japan

[\*\*] Term: **14 Years**

*Primary Examiner*—Doris V. Coles  
*Assistant Examiner*—Mimosa De  
*Attorney, Agent, or Firm*—Ostrolenk, Faber, Gerb & Soffen, LLP

[21] Appl. No.: **29/101,746**

[22] Filed: **Mar. 10, 1999**

[57] **CLAIM**

The ornamental design for a chair seat, as shown and described.

[30] **Foreign Application Priority Data**

Sep. 11, 1998 [JP] Japan ..... 10-25748

**DESCRIPTION**

[51] **LOC (7) Cl.** ..... **06-06**

[52] **U.S. Cl.** ..... **D6/502**

[58] **Field of Search** ..... D6/330, 334, 335,  
D6/354, 356, 360, 364, 365, 367, 374,  
375, 500-502; D15/17; 297/250.1, 452.55

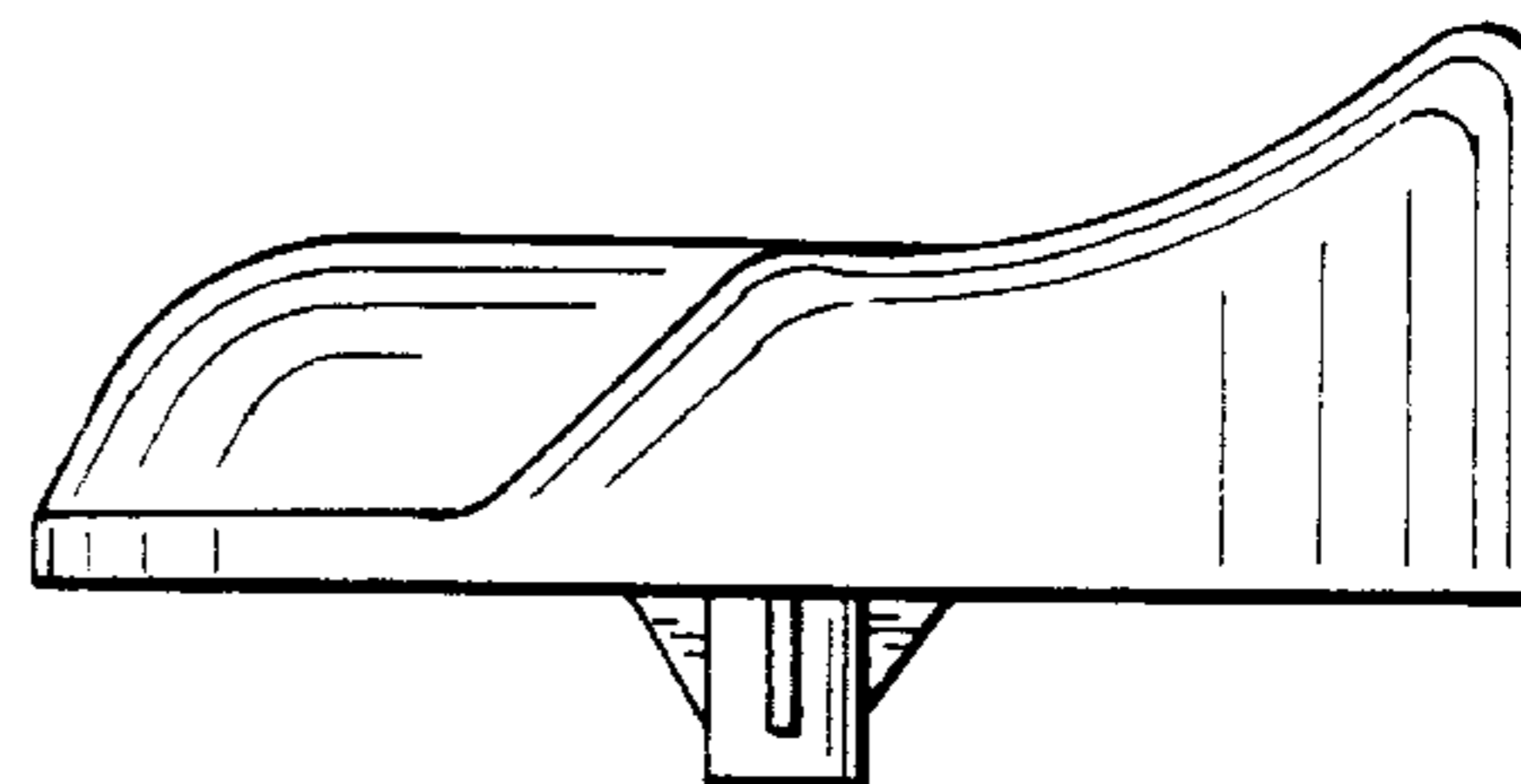
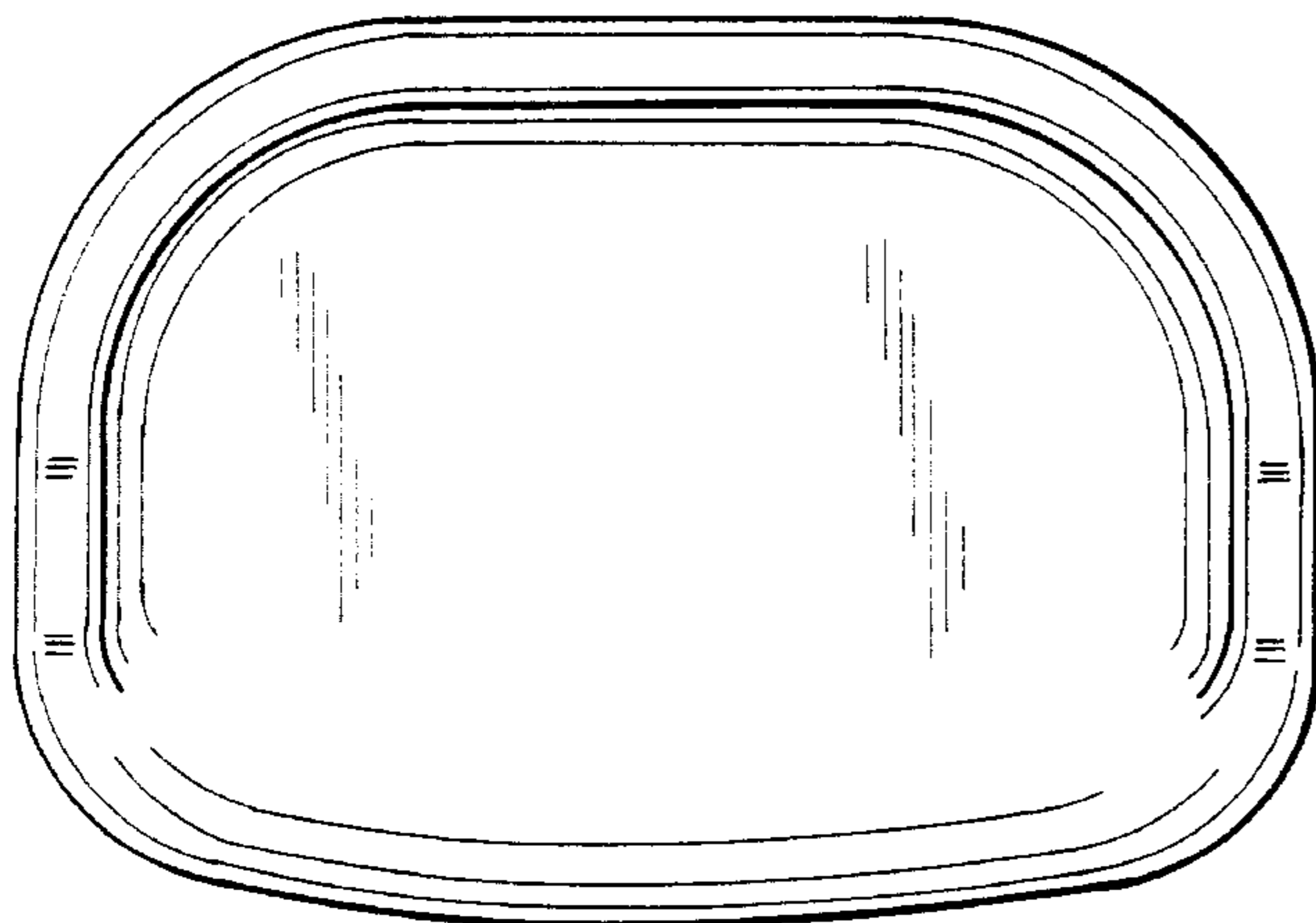
FIG. 1 is a top view of a chair seat showing my new design;  
FIG. 2 is a front view thereof;  
FIG. 3 is a rear view thereof;  
FIG. 4 is one side view thereof, the opposite side view being a mirror image; and,  
FIG. 5 is a bottom view thereof.

[56] **References Cited**

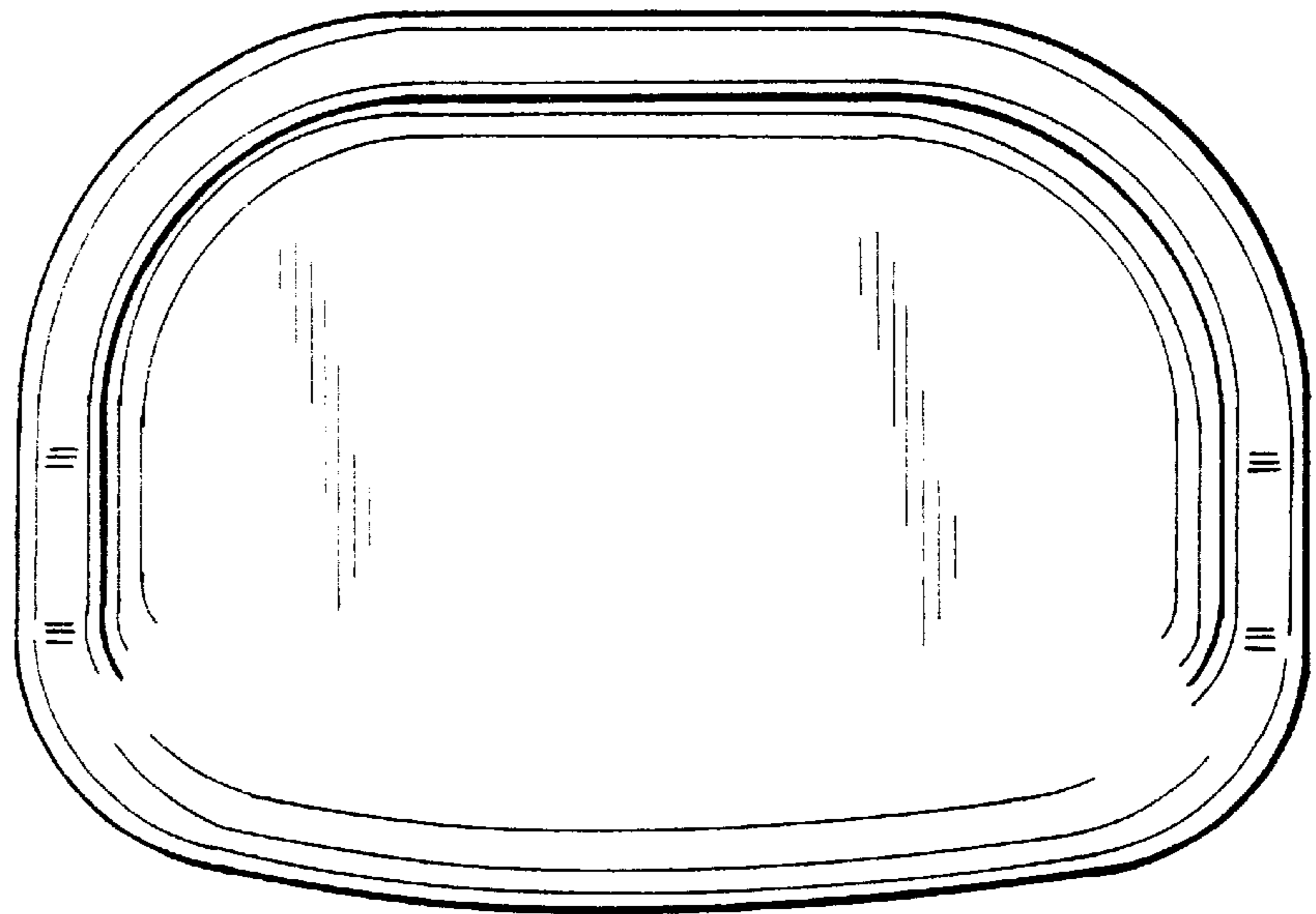
**U.S. PATENT DOCUMENTS**

D. 277,722 2/1985 Gusrud ..... D6/360

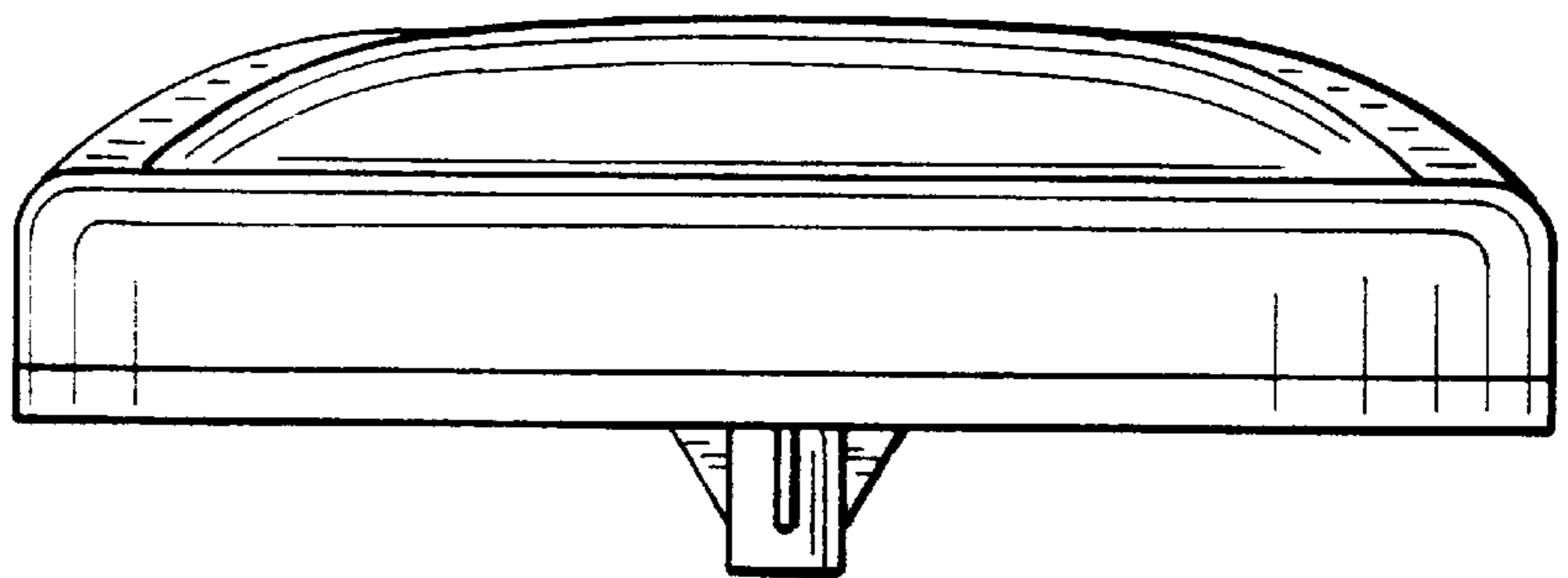
**1 Claim, 2 Drawing Sheets**



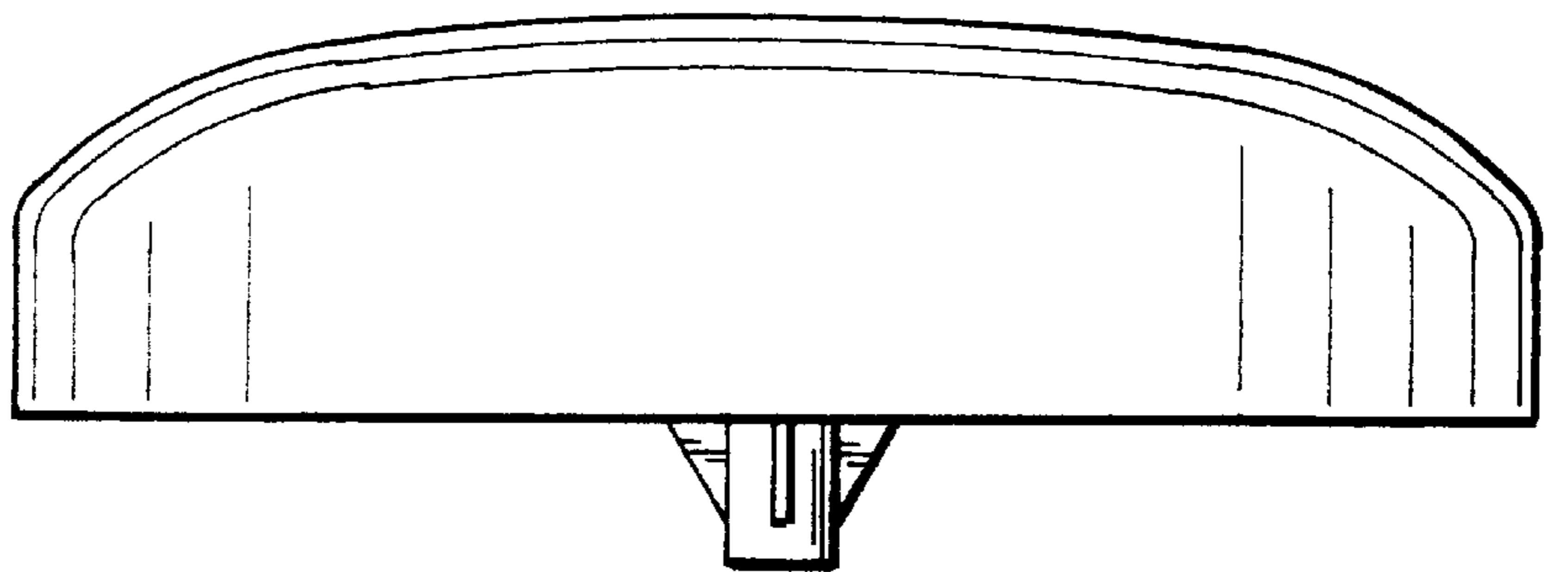
**FIG. 1**



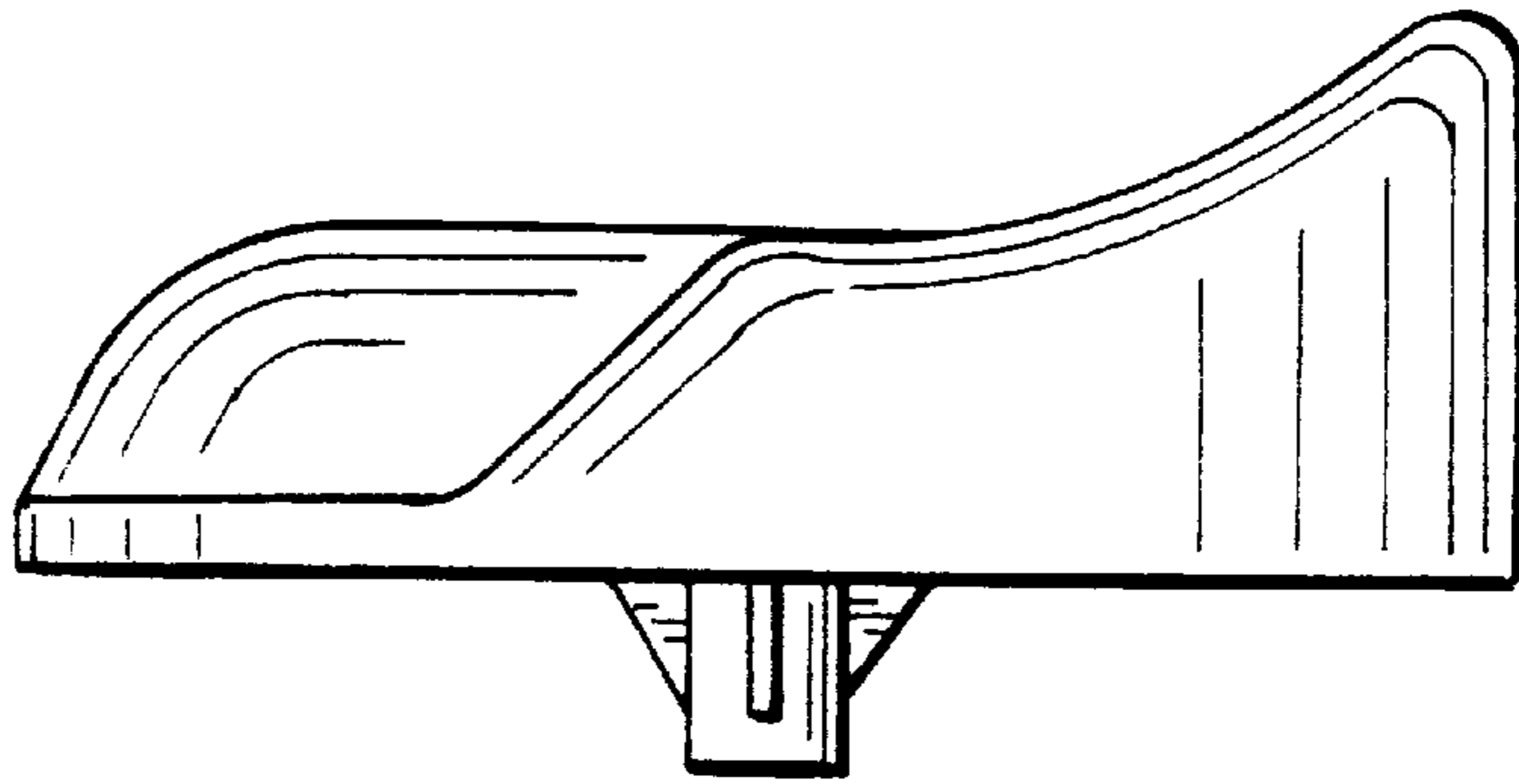
**FIG. 2**



**FIG. 3**



**FIG. 4**



**FIG. 5**

