



US00D429919S

**United States Patent** [19]  
**Kornacki**

[11] **Patent Number: Des. 429,919**

[45] **Date of Patent: \*\* Aug. 29, 2000**

[54] **MODEL DISPLAY SHELF**

[76] Inventor: **Richard J. Kornacki**, 111 Tasha St.,  
Sneads Ferry, N.C. 28460

[\*\*] Term: **14 Years**

[21] Appl. No.: **29/108,416**

[22] Filed: **Jul. 23, 1999**

[51] **LOC (7) Cl.** ..... **06-04**

[52] **U.S. Cl.** ..... **D6/450; D6/574**

[58] **Field of Search** ..... D6/396, 449, 450,  
D6/511, 563, 567, 572, 574; D21/359, 565;  
211/13.1, 87.01

[56] **References Cited**

**U.S. PATENT DOCUMENTS**

D. 305,676	1/1990	Ngai	.....	D21/565
D. 391,795	3/1998	Pellerin	.....	D6/574
5,560,500	1/1990	Wilcox	.....	211/87.01

*Primary Examiner*—Cathron B. Matta  
*Attorney, Agent, or Firm*—Rhodes & Mason, PLLC

[57] **CLAIM**

The ornamental design for a model display shelf, as shown and described.

**DESCRIPTION**

FIG. 1 is a perspective view of the model display shelf. The broken-line disclosure of model cars is for illustrative purposes only and forms no part of the claimed design.

FIG. 2 is a perspective view as seen from the right end thereof;

FIG. 3 is a perspective view seen from the left end thereof;

FIG. 4 is a front view thereof;

FIG. 5 is a rear view thereof;

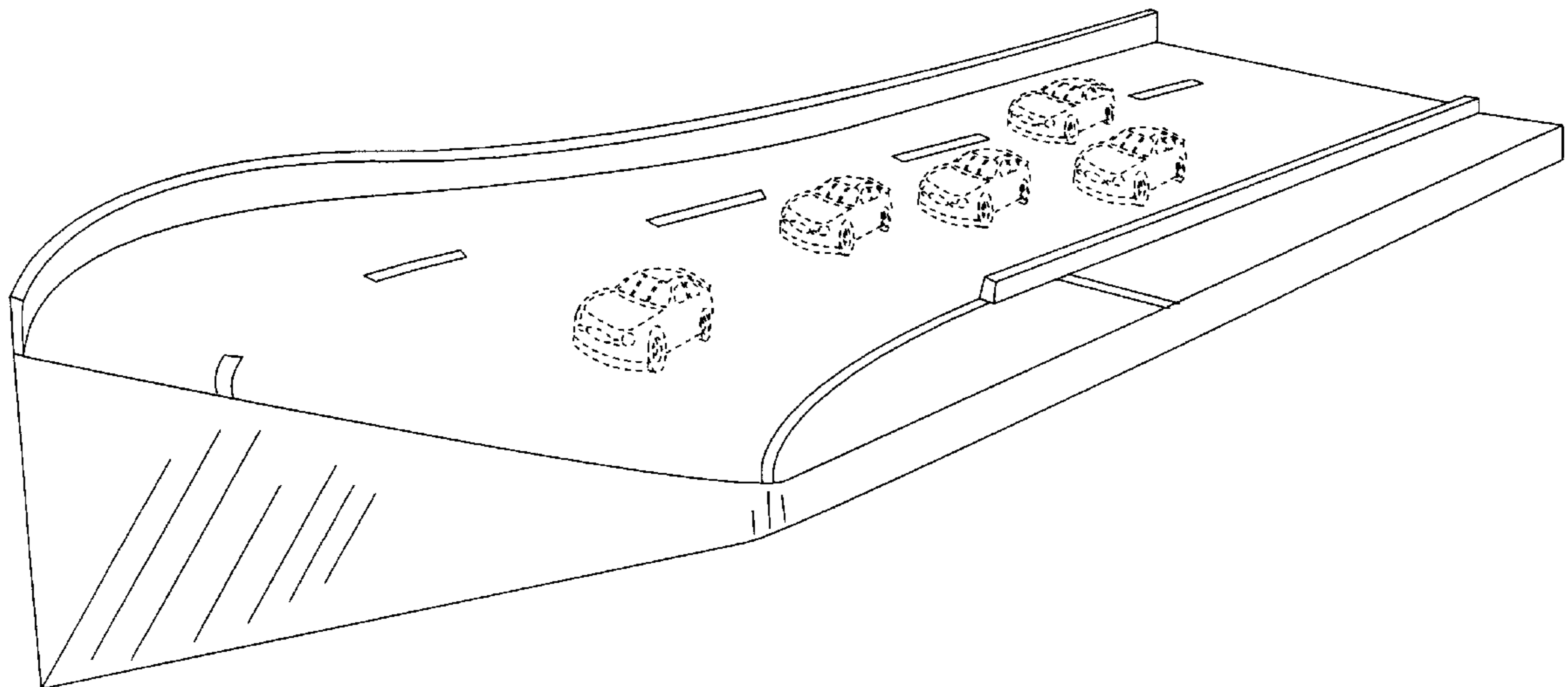
FIG. 6 is a top view thereof;

FIG. 7 is a bottom view thereof;

FIG. 8 is a view of the left end thereof; and,

FIG. 9 is a view of the right end thereof.

**1 Claim, 5 Drawing Sheets**



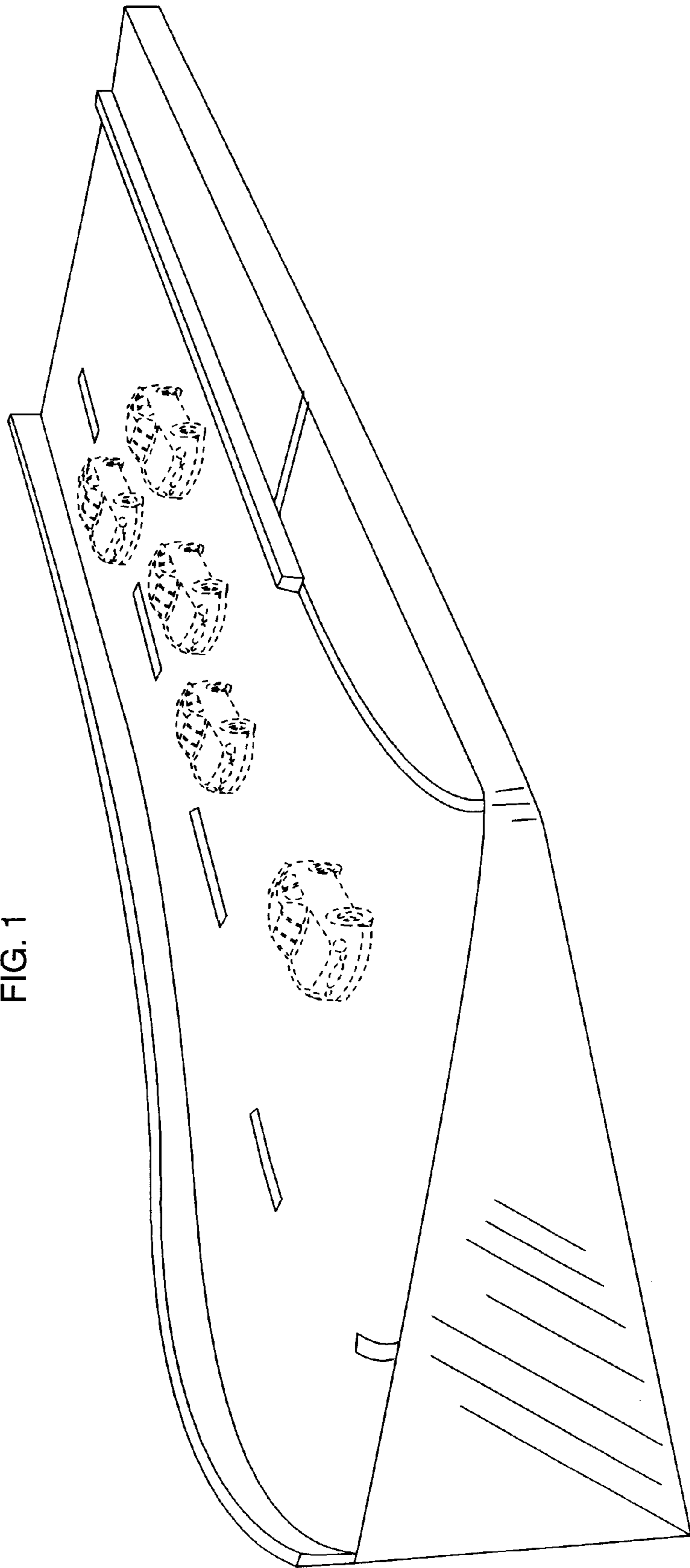


FIG. 1

FIG. 2

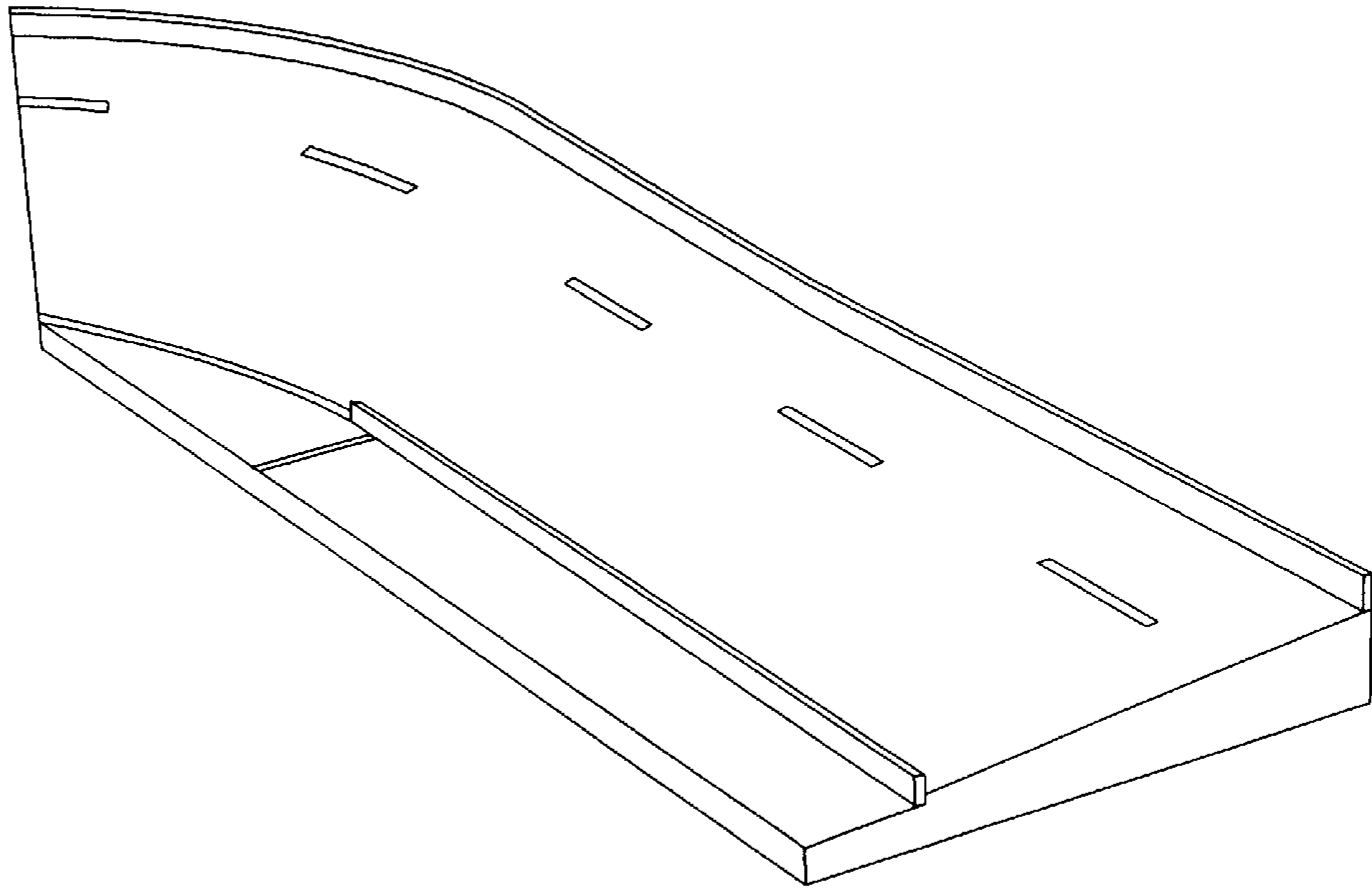


FIG. 3

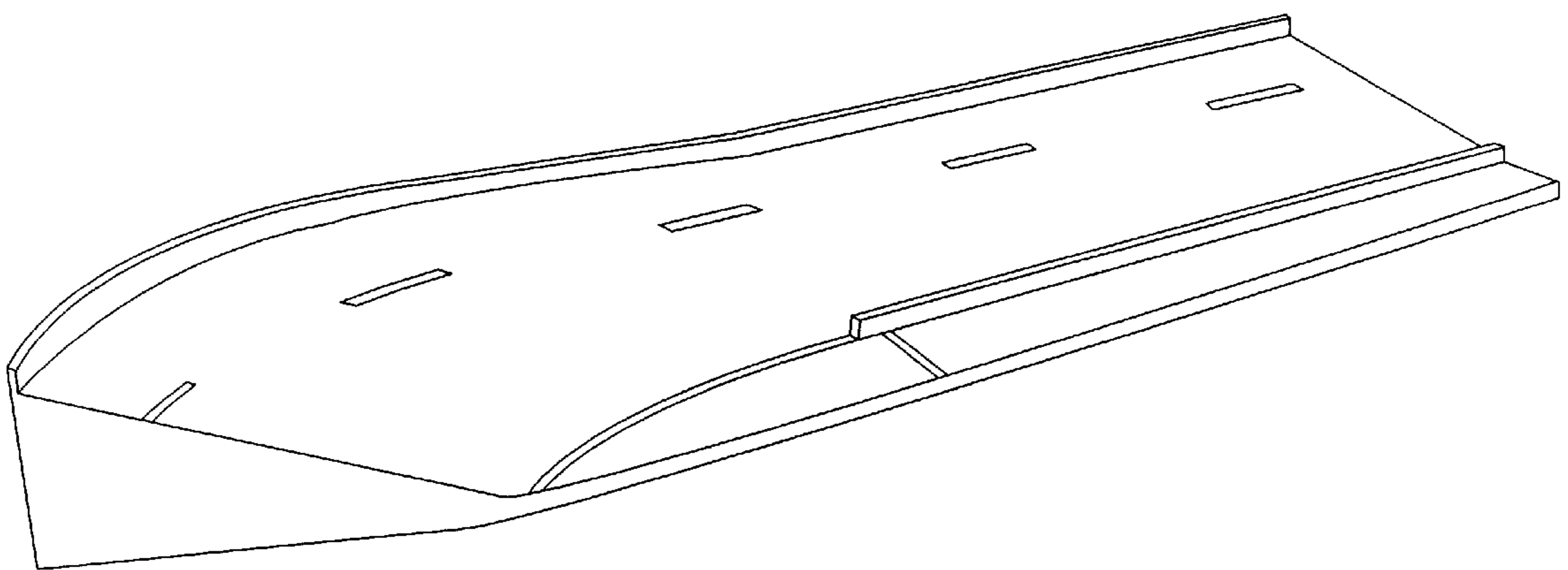


FIG. 4

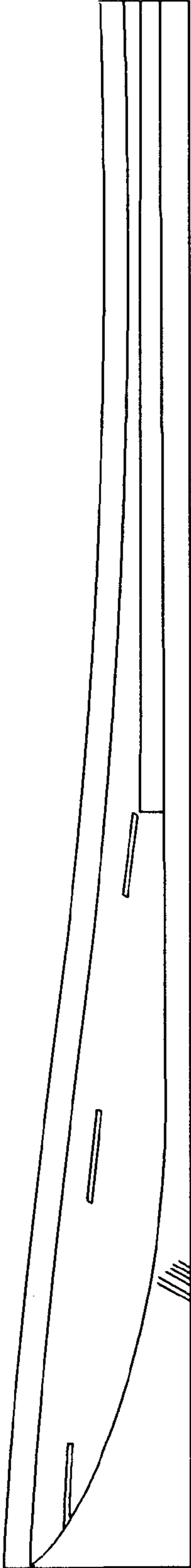


FIG. 5

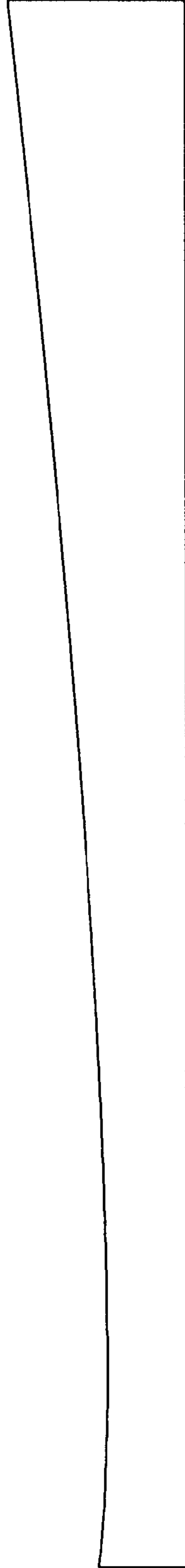


FIG. 6

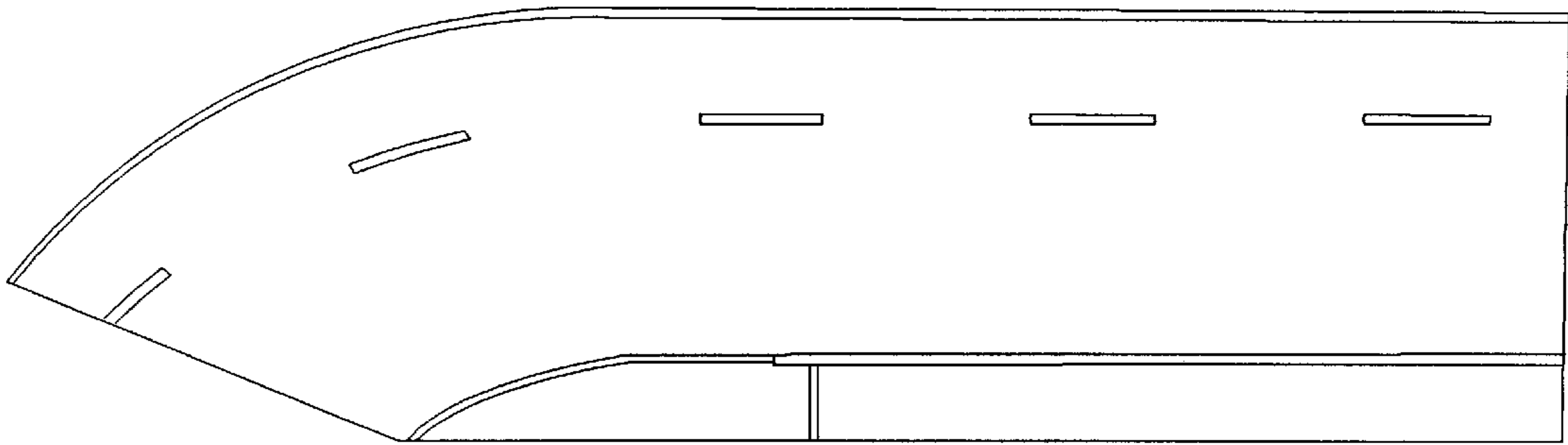


FIG. 7

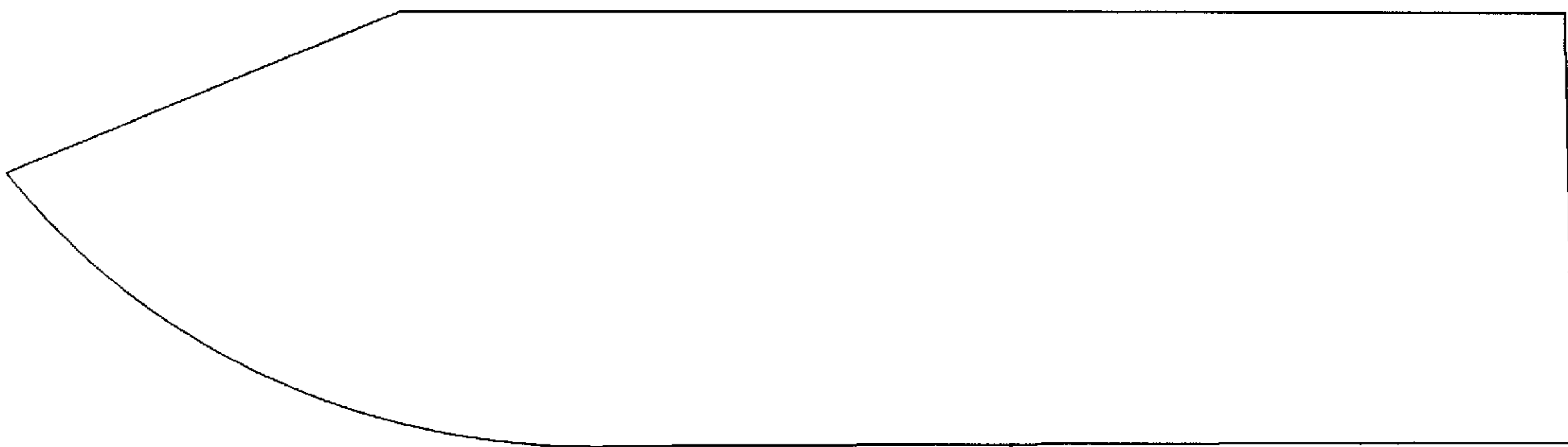


FIG. 8

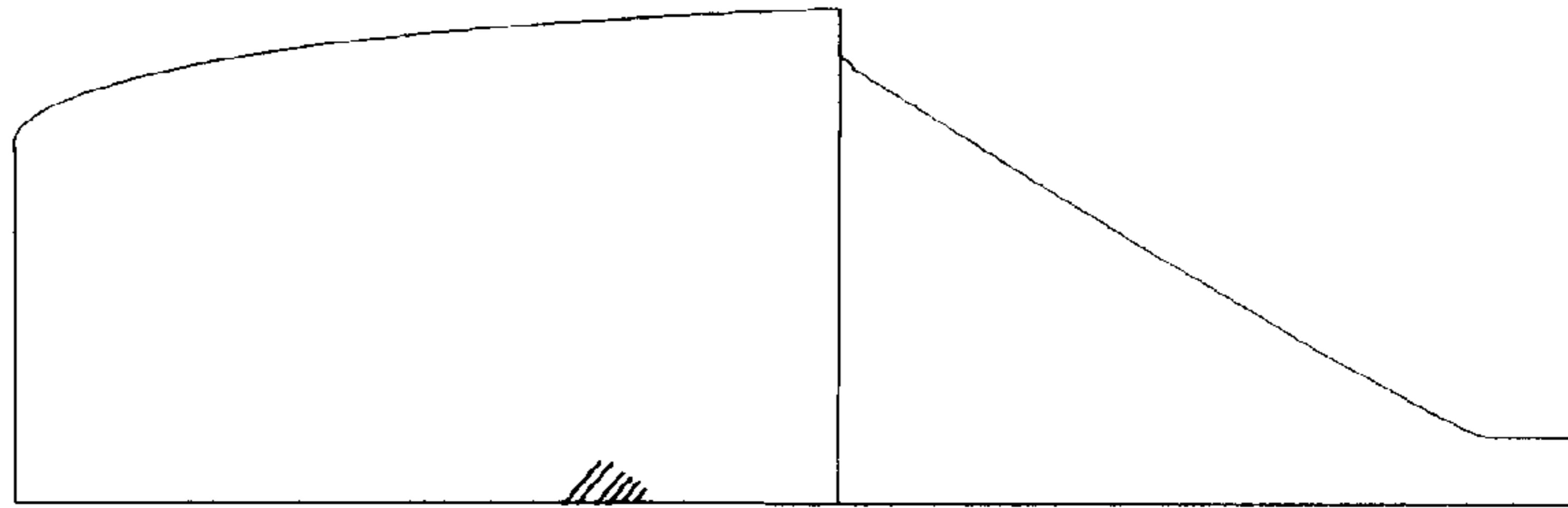


FIG. 9

