



US00D429916S

United States Patent [19]
Hurd

[11] **Patent Number: Des. 429,916**

[45] **Date of Patent: ** Aug. 29, 2000**

[54] **SMALL MOBILE BOOKCASE WITH OPPOSING SHELVES AND BI-OPENING DRAWER**

[76] Inventor: **Harry L. Hurd**, 309 Moss Run, Raleigh, N.C. 27614

[**] Term: **14 Years**

[21] Appl. No.: **29/103,386**

[22] Filed: **Apr. 14, 1999**

[51] **LOC (7) Cl.** **06-04**

[52] **U.S. Cl.** **D6/436**

[58] **Field of Search** D6/432, 436; D34/17, D34/19, 20, 21; 24/85.8; 280/47.35, 79.3; 312/204, 208.2, 257.1, 249.8-249.13; D18/59

[56] **References Cited**

U.S. PATENT DOCUMENTS

D. 103,894	3/1937	Mandl	D6/436
D. 190,632	6/1961	Rhoads	D6/436
D. 238,737	2/1976	Patha et al.	D6/436 X
D. 329,251	9/1992	Olswold et al.	D18/59
5,016,948	5/1991	Welch et al.	312/257.1 X

Primary Examiner—Cathron B. Matta

[57] **CLAIM**

The ornamental design for a small mobile bookcase with opposing shelves and bi-opening drawer, as shown and described.

DESCRIPTION

FIG. 1 is a top, front and right side perspective view of the small mobile bookcase with opposing shelves and bi-opening drawer, with the drawer closed.

FIG. 2 is a top view of the small mobile bookcase with opposing shelves and bi-opening drawer, with the drawer closed.

FIG. 3 is a front elevation view of the small mobile bookcase with opposing shelves and bi-opening drawer, with the drawer closed.

FIG. 4 is a side elevation view of the small mobile bookcase with opposing shelves and bi-opening drawer, with the drawer closed.

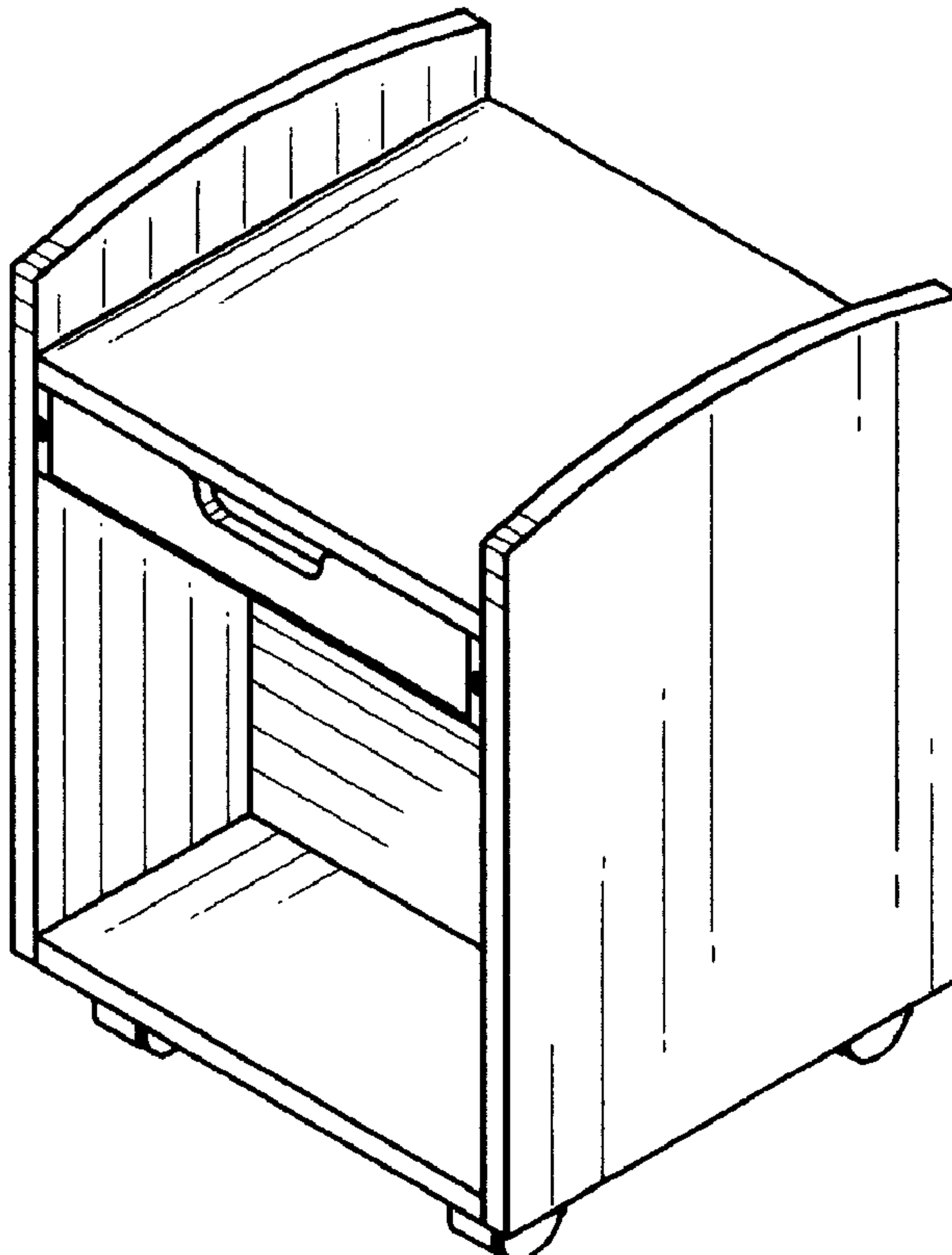
FIG. 5 is a top, rear and left side perspective view of the small mobile bookcase with opposing shelves and bi-opening drawer, with drawer closed.

FIG. 6 is a bottom, front and right side perspective view of the small mobile bookcase with opposing shelves and bi-opening drawer.

FIG. 7 is a top, front and right side perspective view of the small mobile bookcase with opposing shelves and bi-opening drawer, with the drawer open to the front; and,

FIG. 8 is a top, front and right side perspective view of the small mobile bookcase with opposing shelves and bi-opening drawer, with the drawer open to the rear.

1 Claim, 2 Drawing Sheets



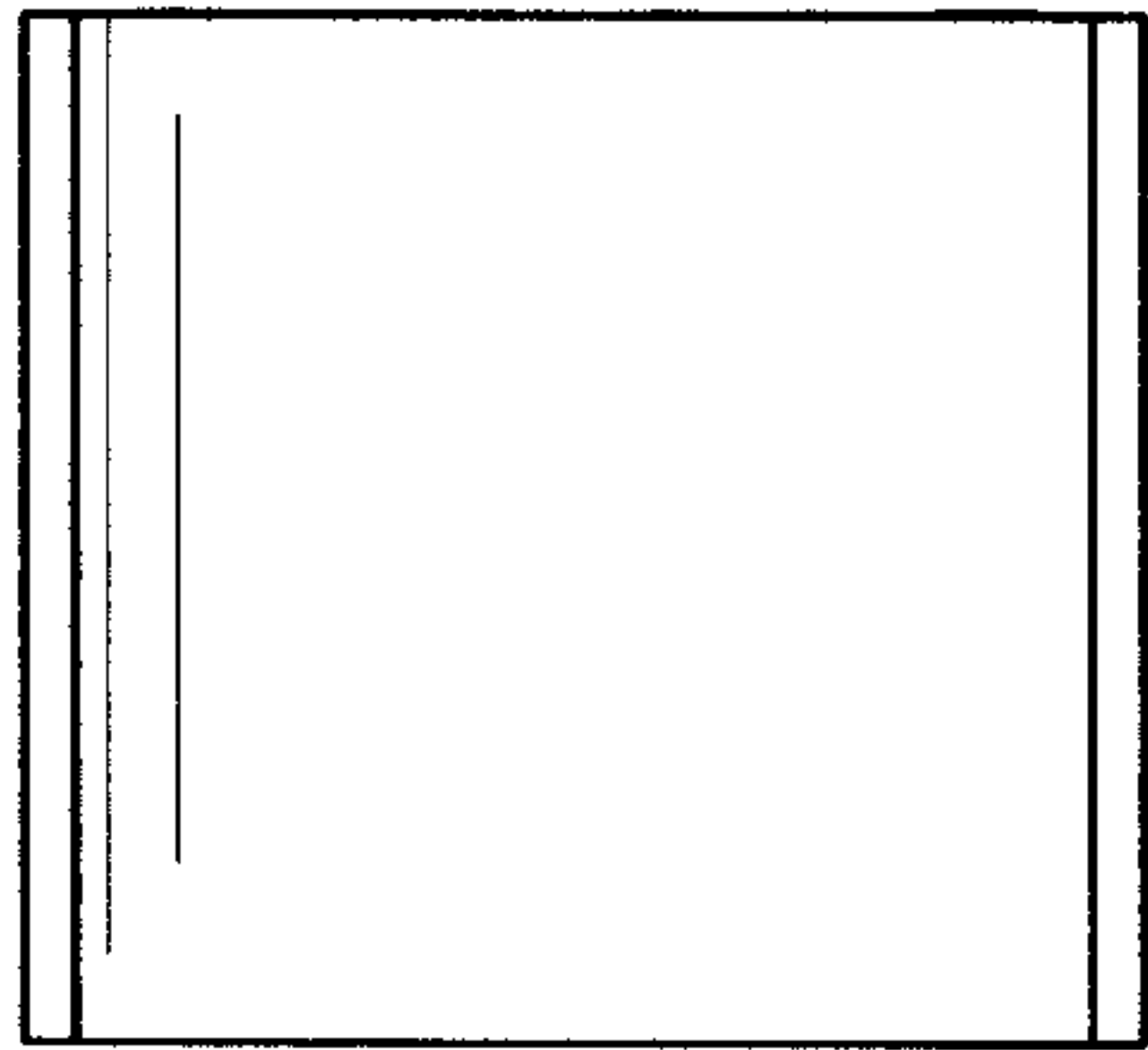


FIG. 2

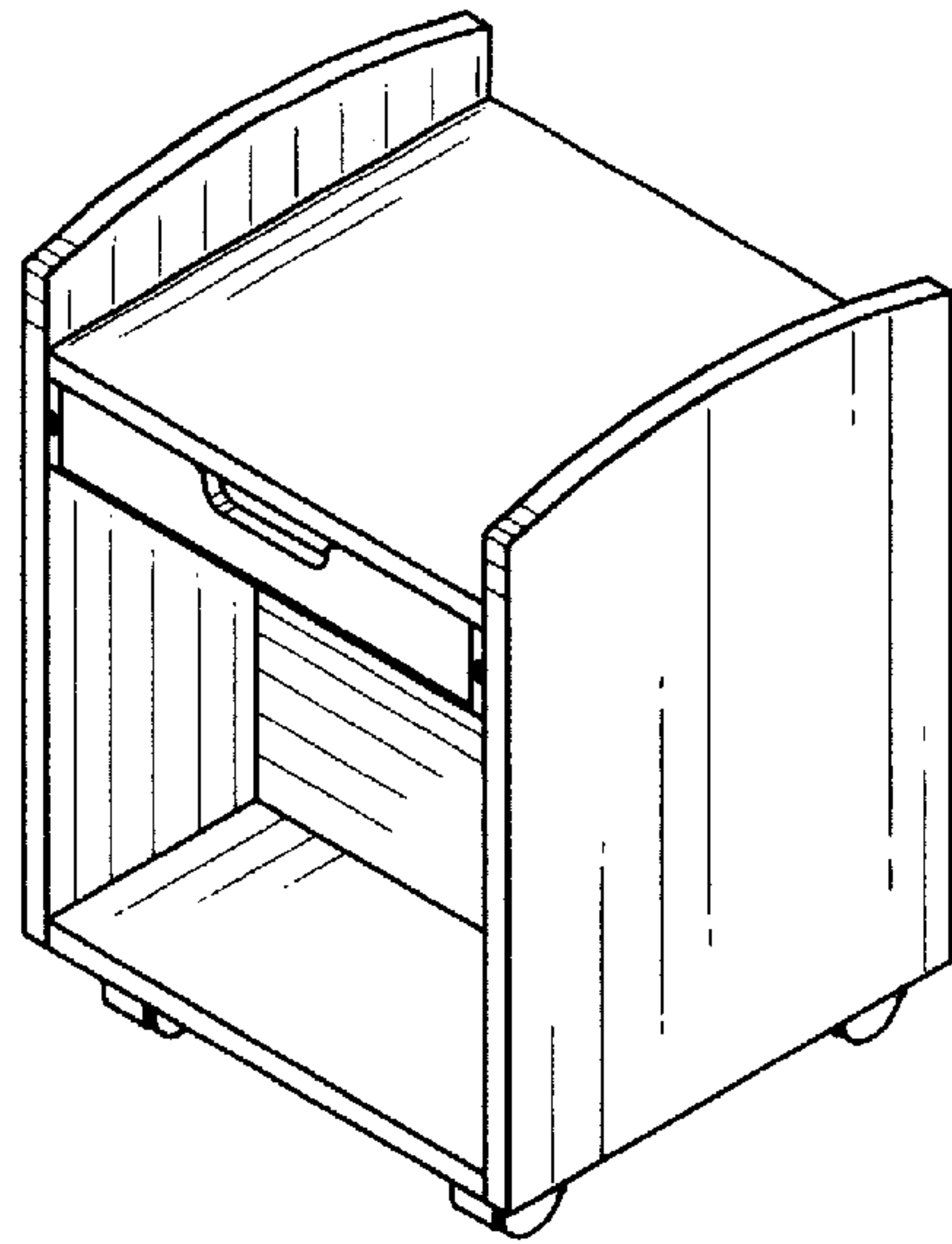


FIG. 1

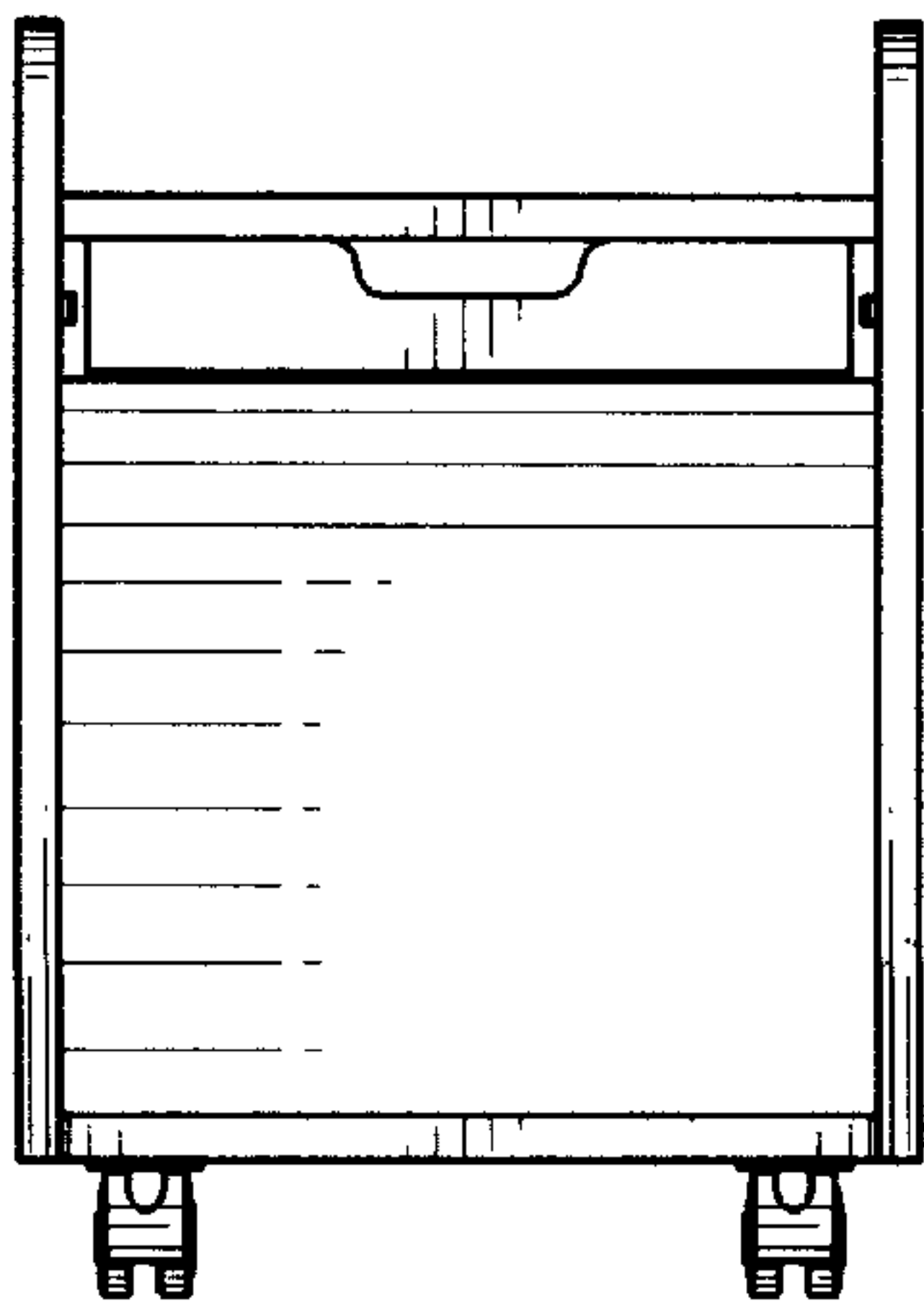


FIG. 3

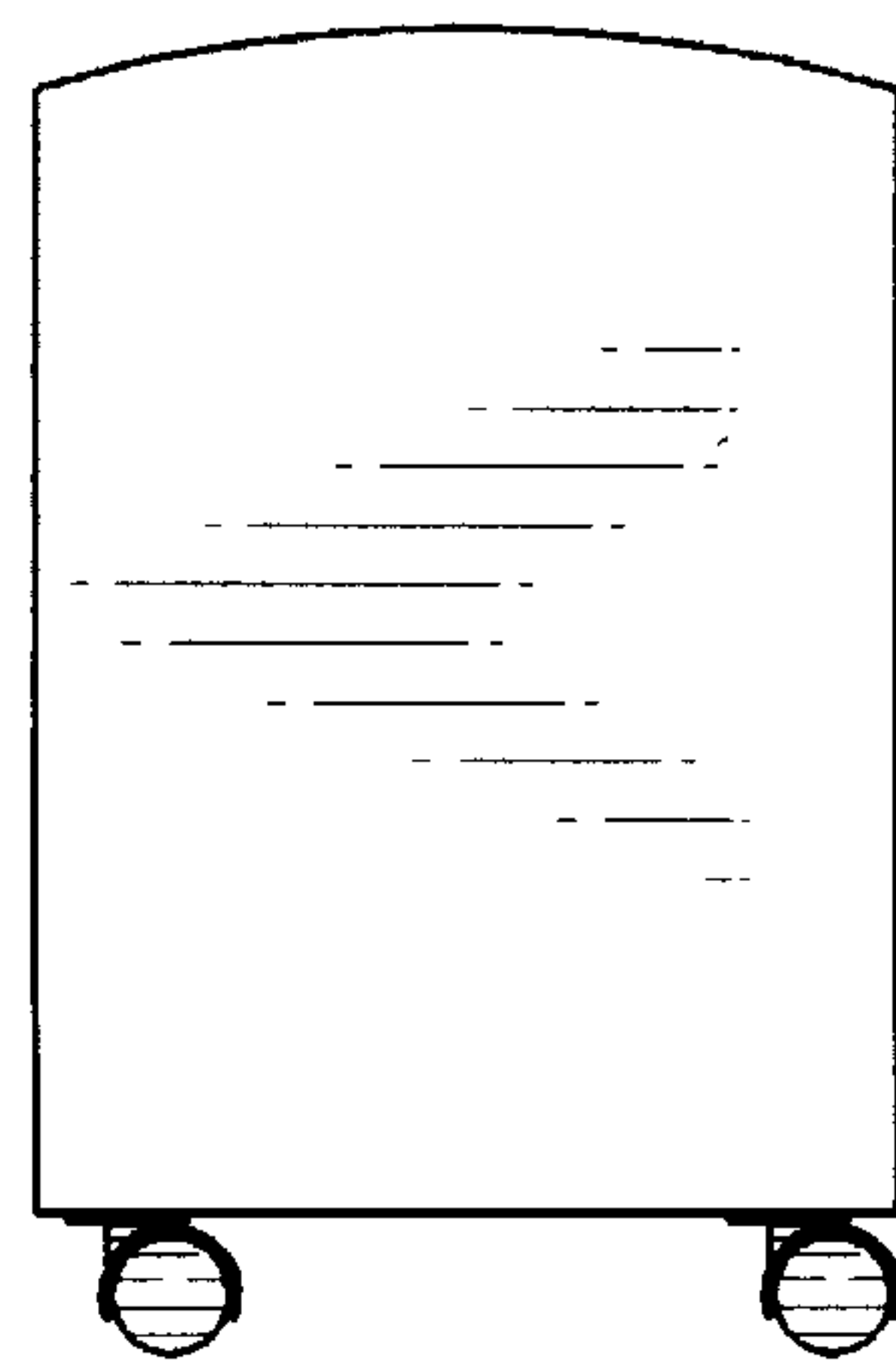


FIG. 4

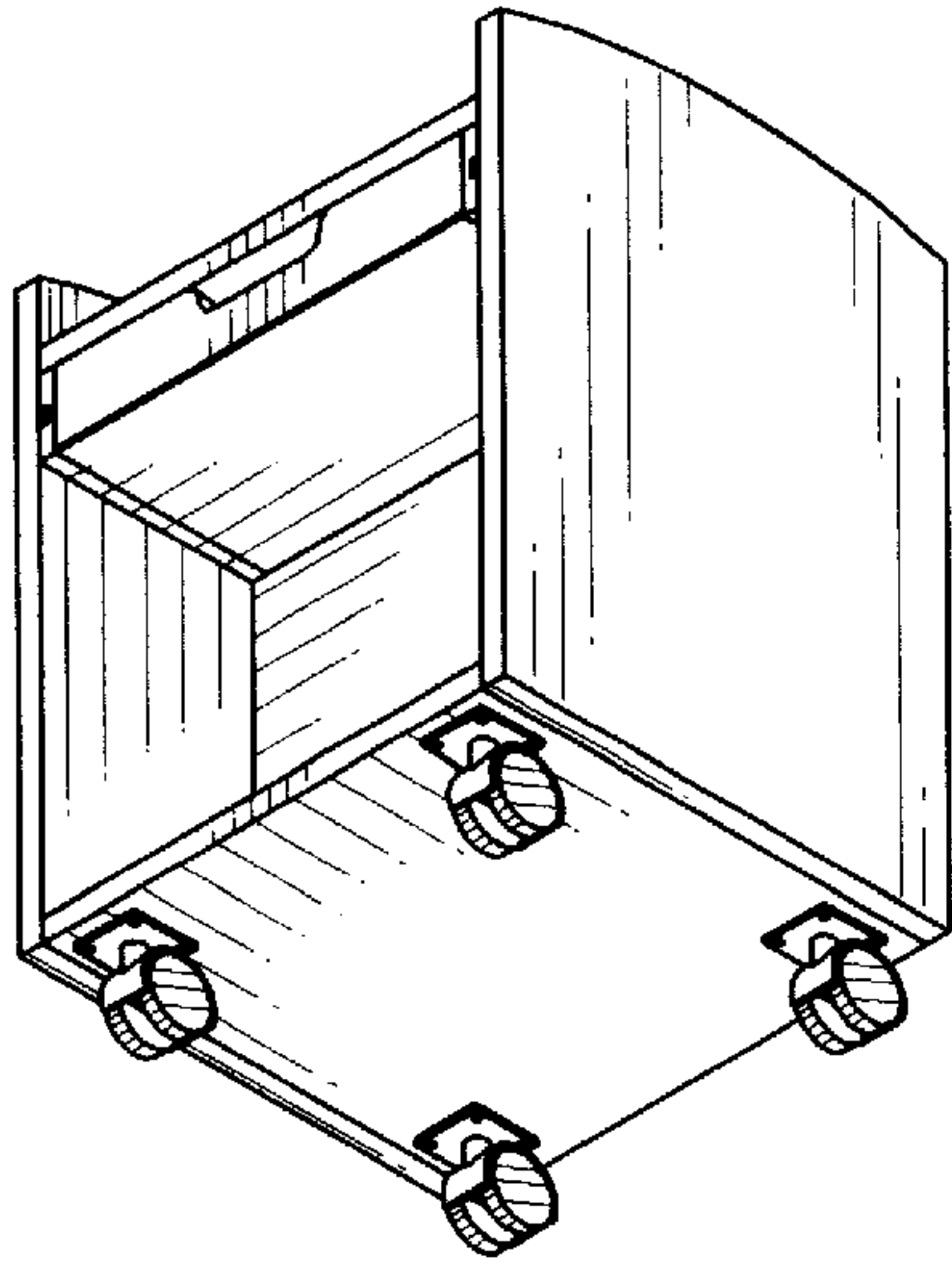


FIG. 6

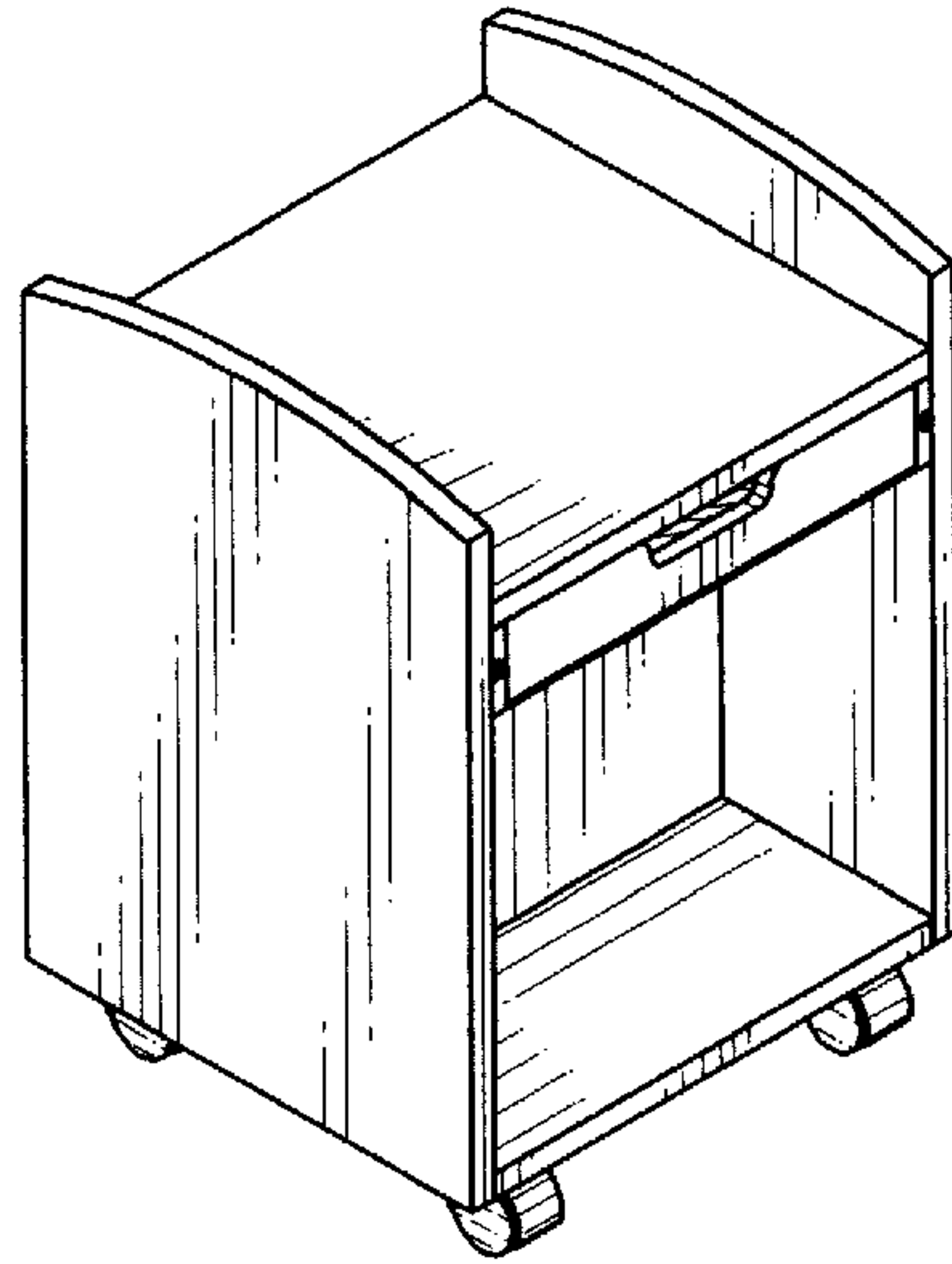


FIG. 5

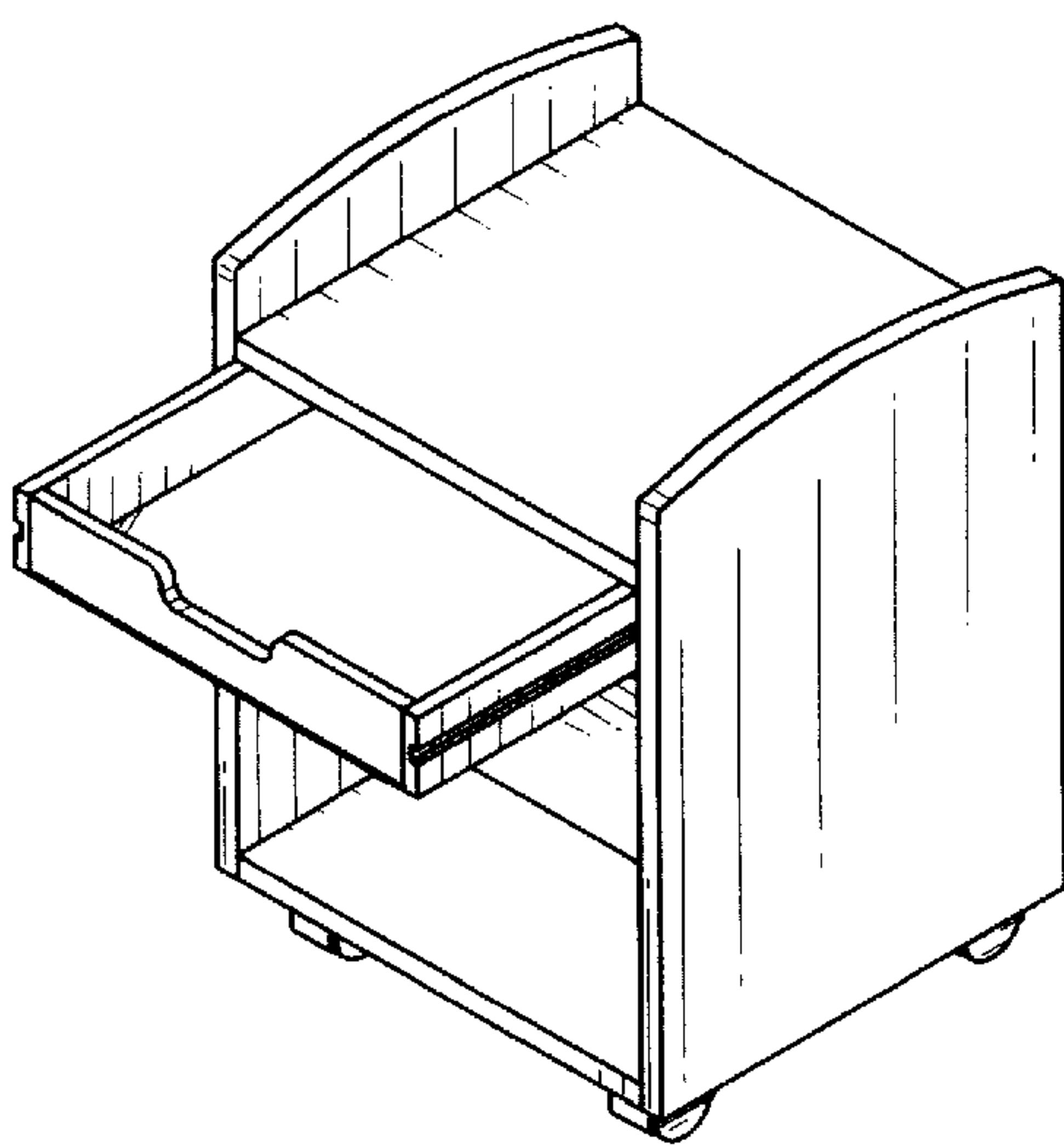


FIG. 7

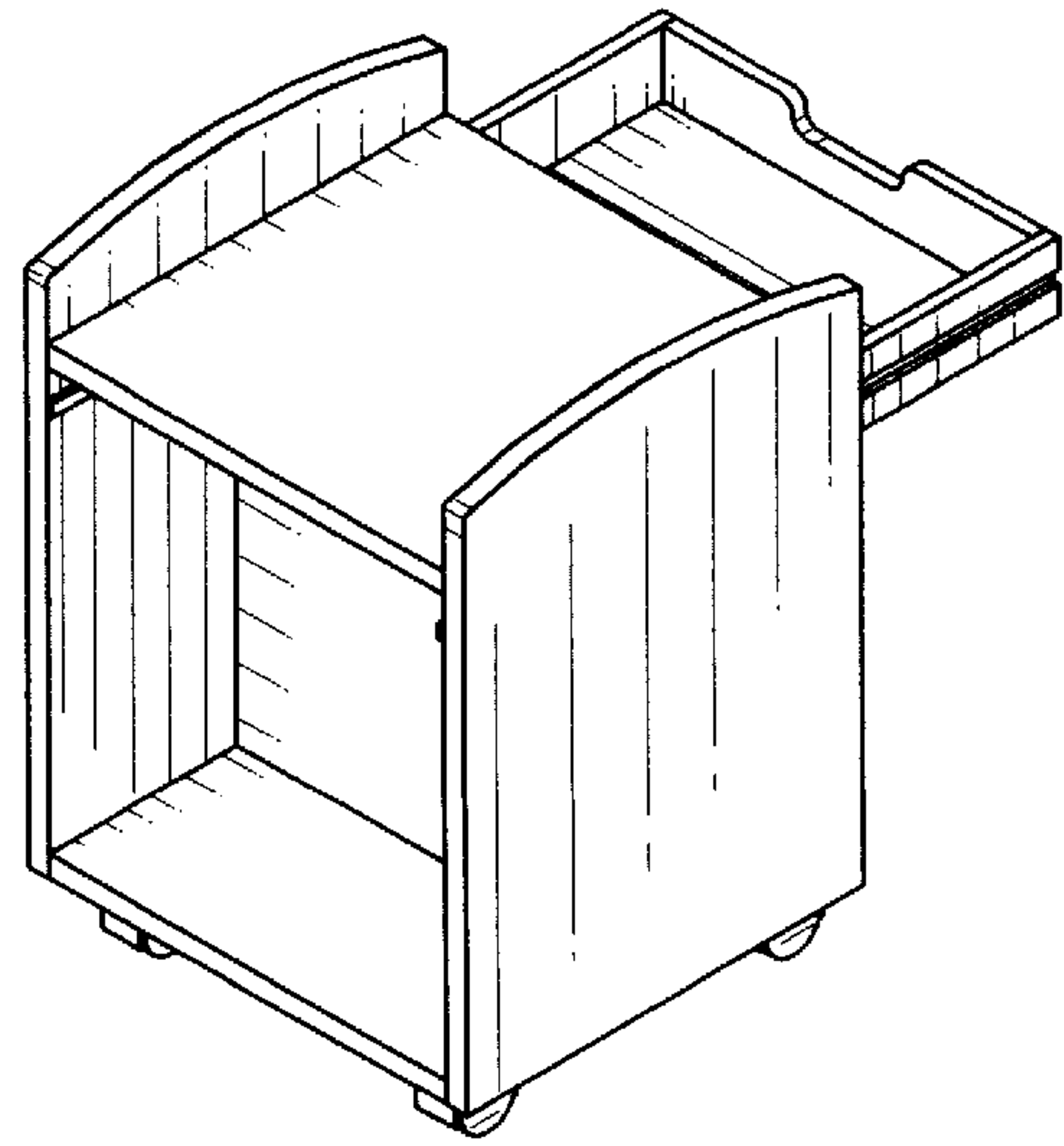


FIG. 8