



US00D429910S

United States Patent [19]
Starzewski

[11] **Patent Number: Des. 429,910**

[45] **Date of Patent: ** Aug. 29, 2000**

[54] **CHAIR**

[75] Inventor: **Thomas Starzewski**, Ulm, Germany

[73] Assignee: **Wilkahn Wikenig +Hahne GmbH +Co.**, Germany

[**] Term: **14 Years**

[21] Appl. No.: **29/106,662**

[22] Filed: **Jun. 18, 1999**

[51] **LOC (7) Cl.** **06-01**

[52] **U.S. Cl.** **D6/380; D6/379**

[58] **Field of Search** D6/334, 370, 374,
D6/379, 380, 500, 501, 502; 297/411.4,
411.41, 445.1, 446.1, DIG. 2

[56] **References Cited**

U.S. PATENT DOCUMENTS

- D. 184,820 4/1959 Langhjelm et al. D6/379
- D. 254,880 5/1980 Durney D6/379

- D. 278,393 4/1985 Platner D6/374
- D. 292,046 9/1987 Walker D6/370
- D. 308,305 6/1990 Snodgrass D6/379
- D. 312,005 11/1990 Snodgrass D6/379

Primary Examiner—Gary D. Watson
Attorney, Agent, or Firm—Reising, Ethington, Barnes,
Kisselle, Learman & McCulloch, P.C.

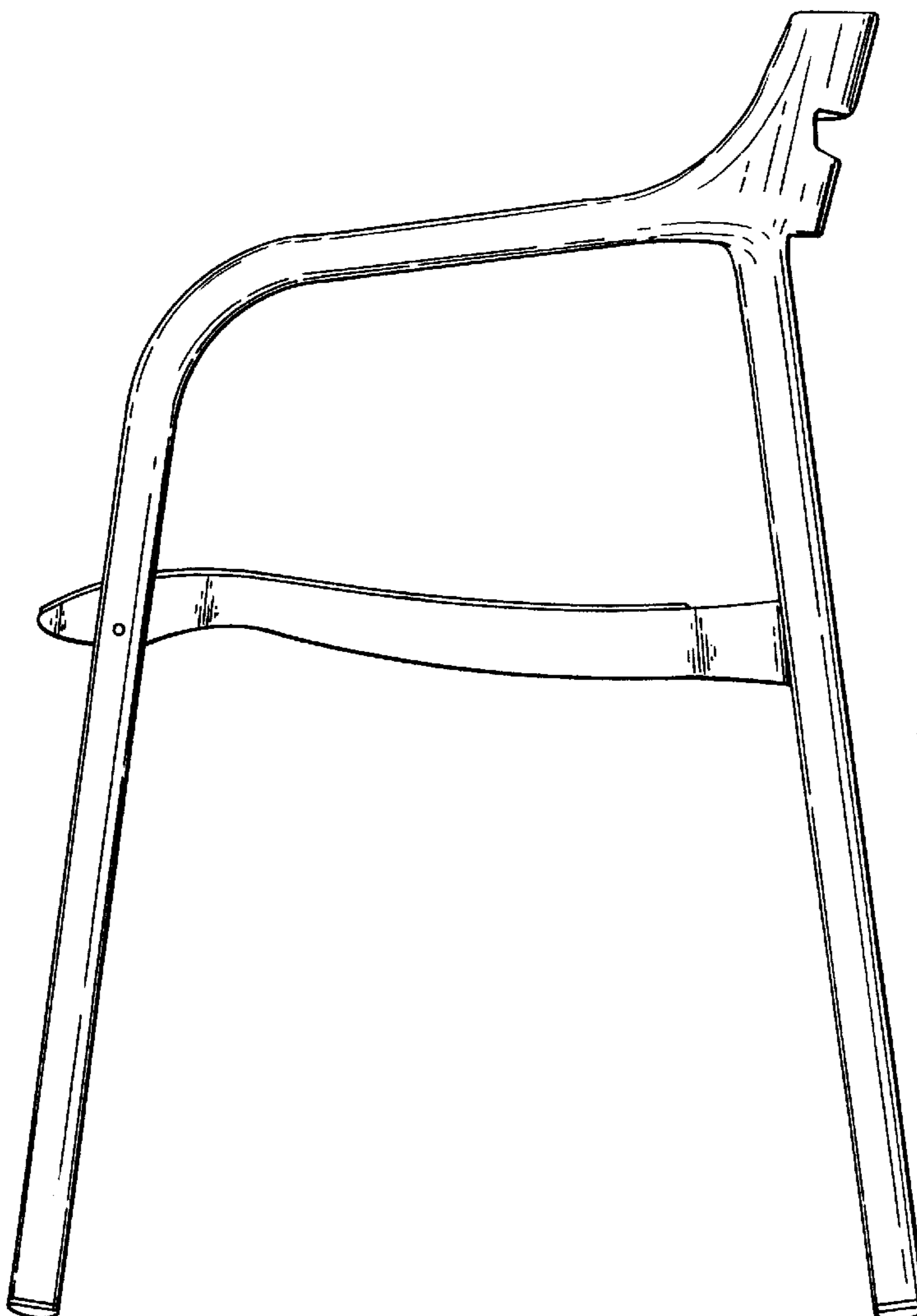
[57] **CLAIM**

The ornamental design for a chair, as shown and described.

DESCRIPTION

FIG. 1 is an elevational view of one side of a chair incorporating the new design, the opposite side of the chair being a mirror image of that shown;
FIG. 2 is a front elevational view of the design;
FIG. 3 is a rear elevational view of the design;
FIG. 4 is a top plan view of the design; and,
FIG. 5 is a bottom plan view of the design.

1 Claim, 3 Drawing Sheets



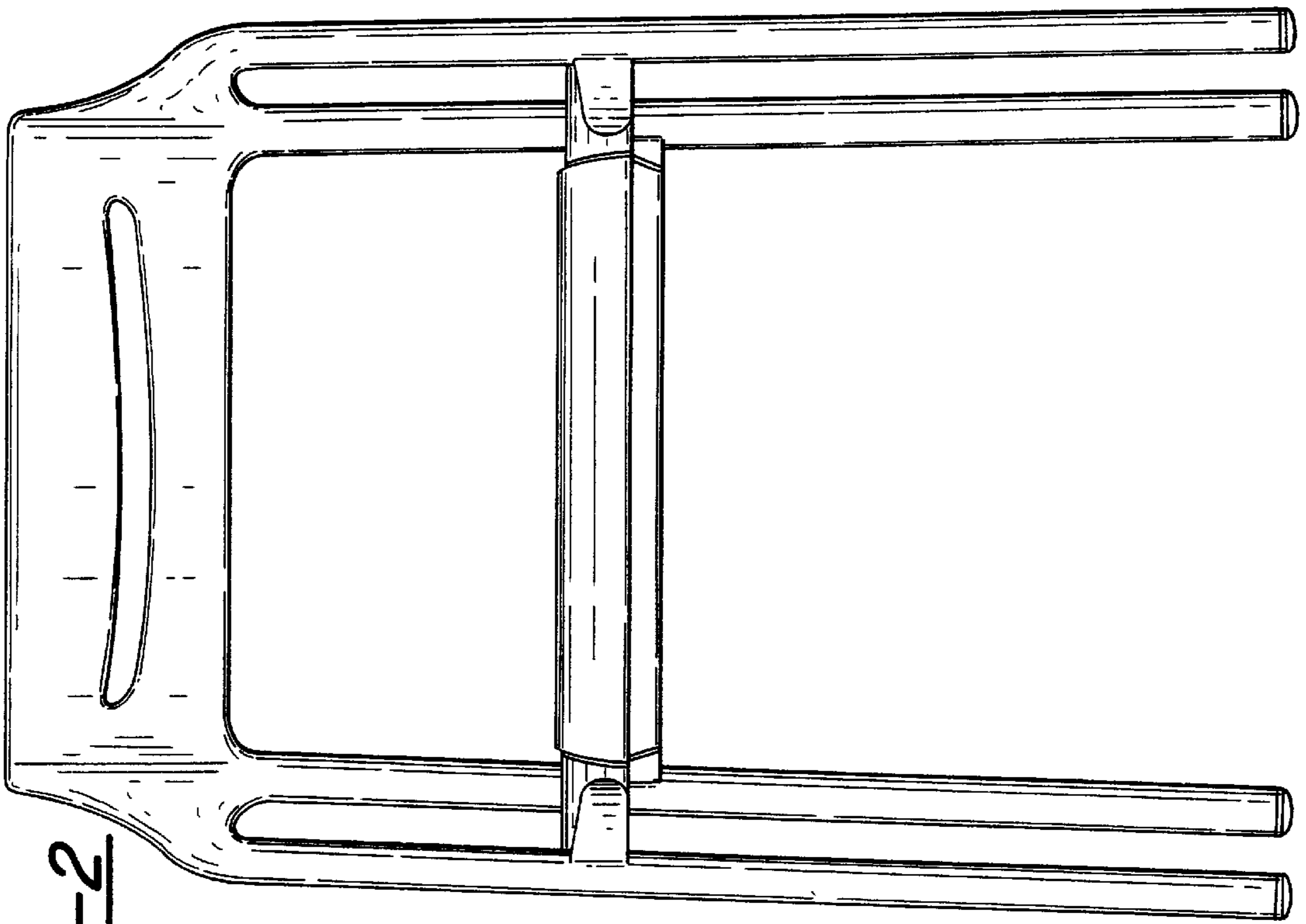


FIG-2

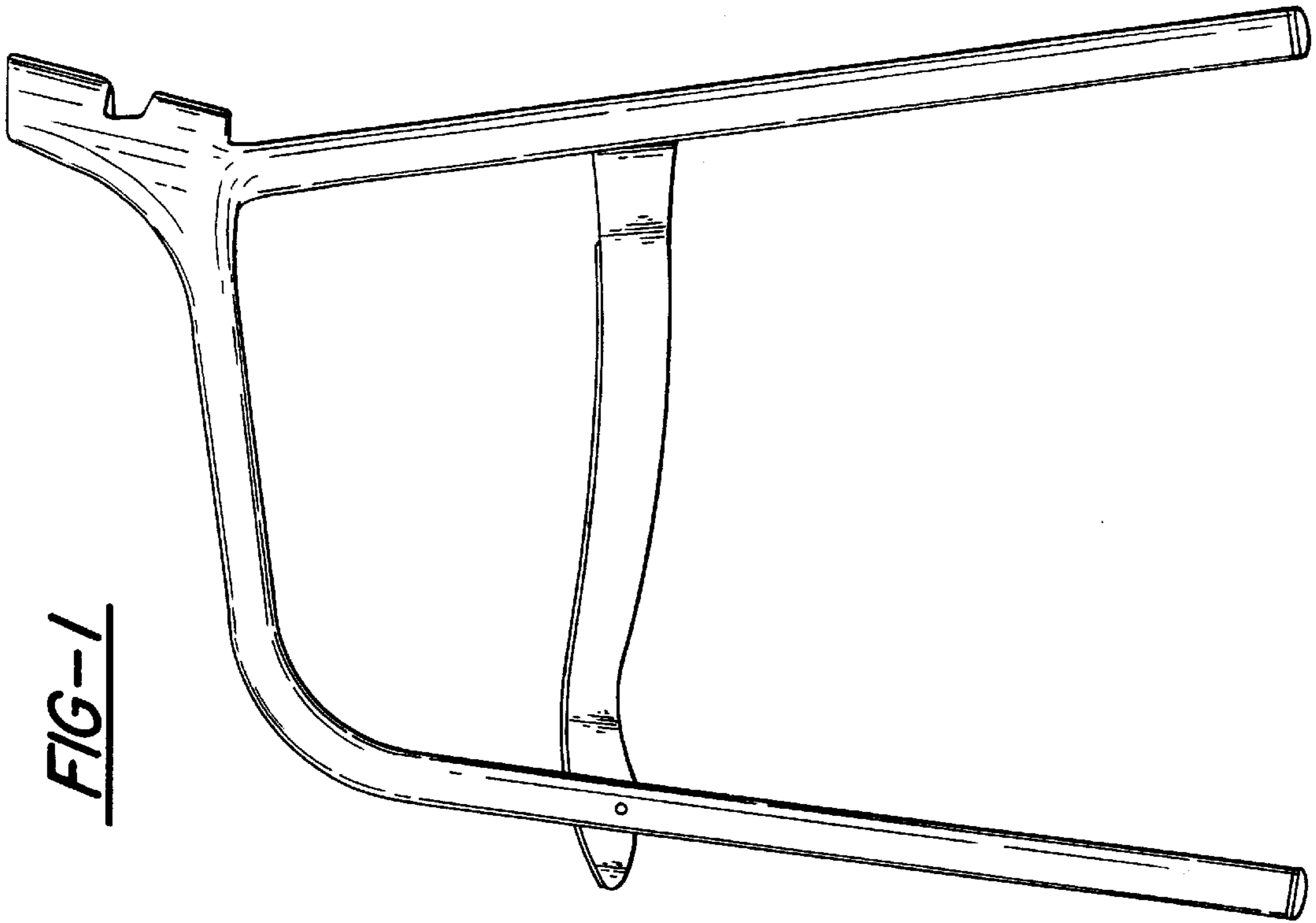


FIG-1

FIG-4

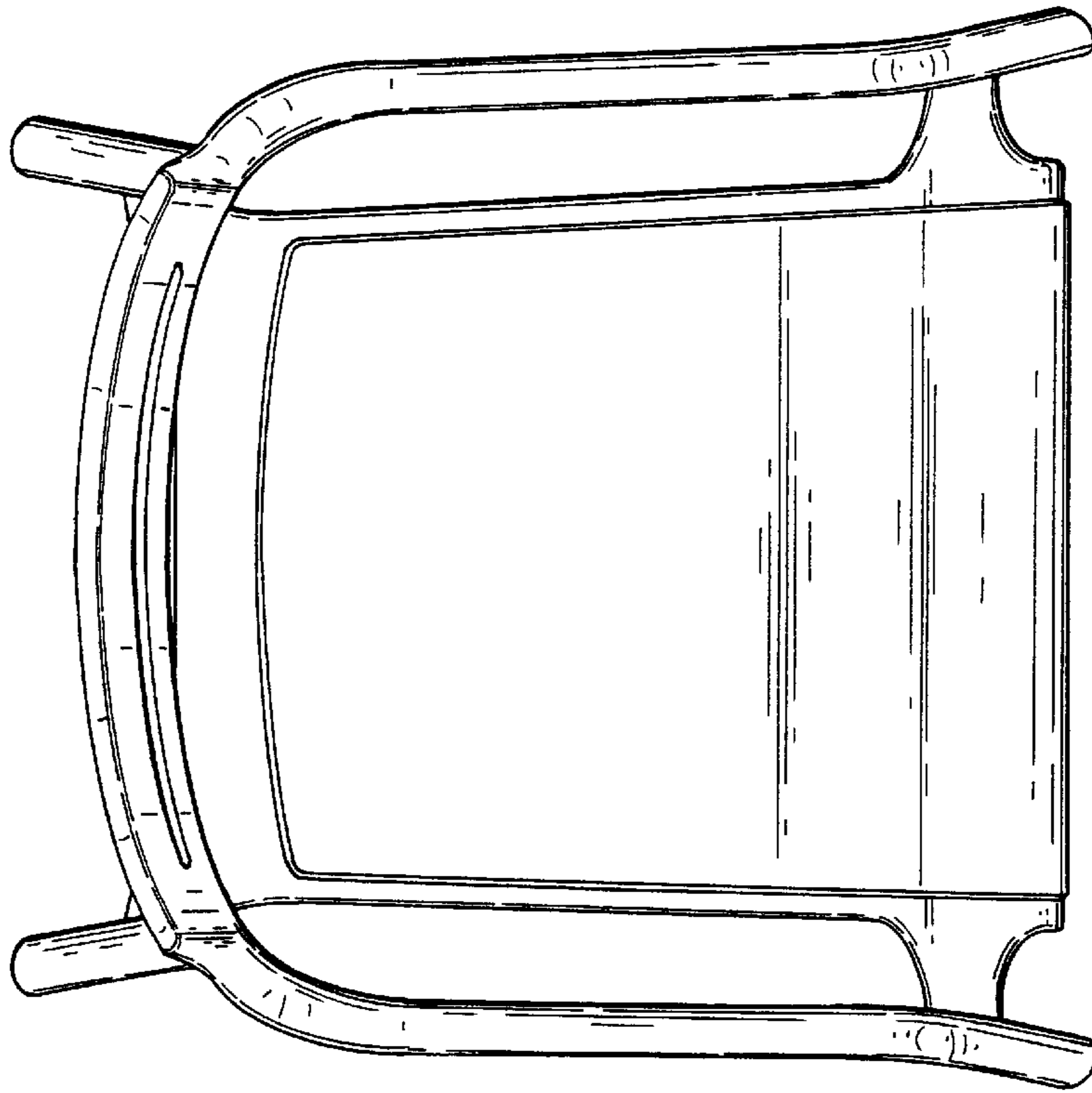


FIG-3

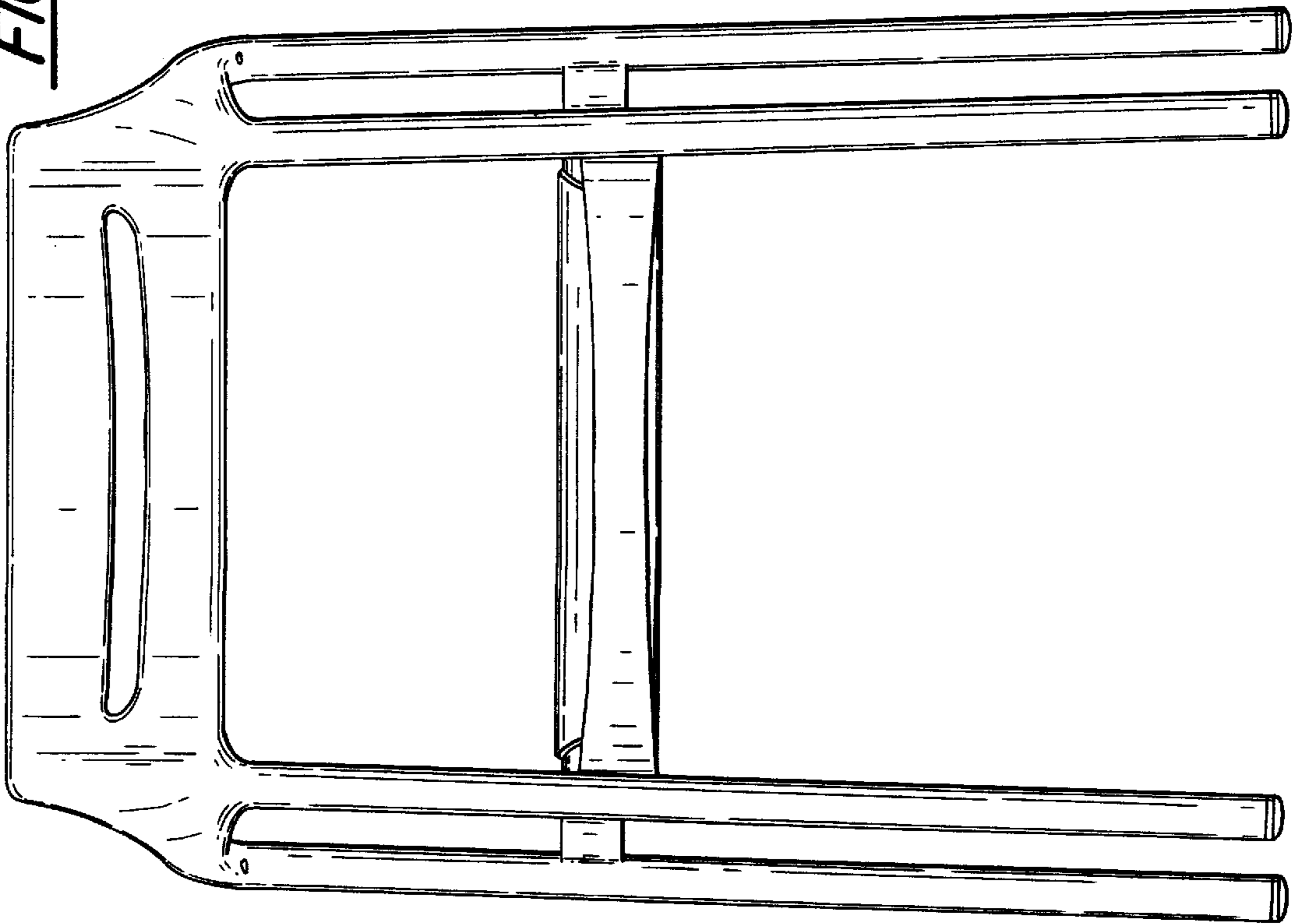
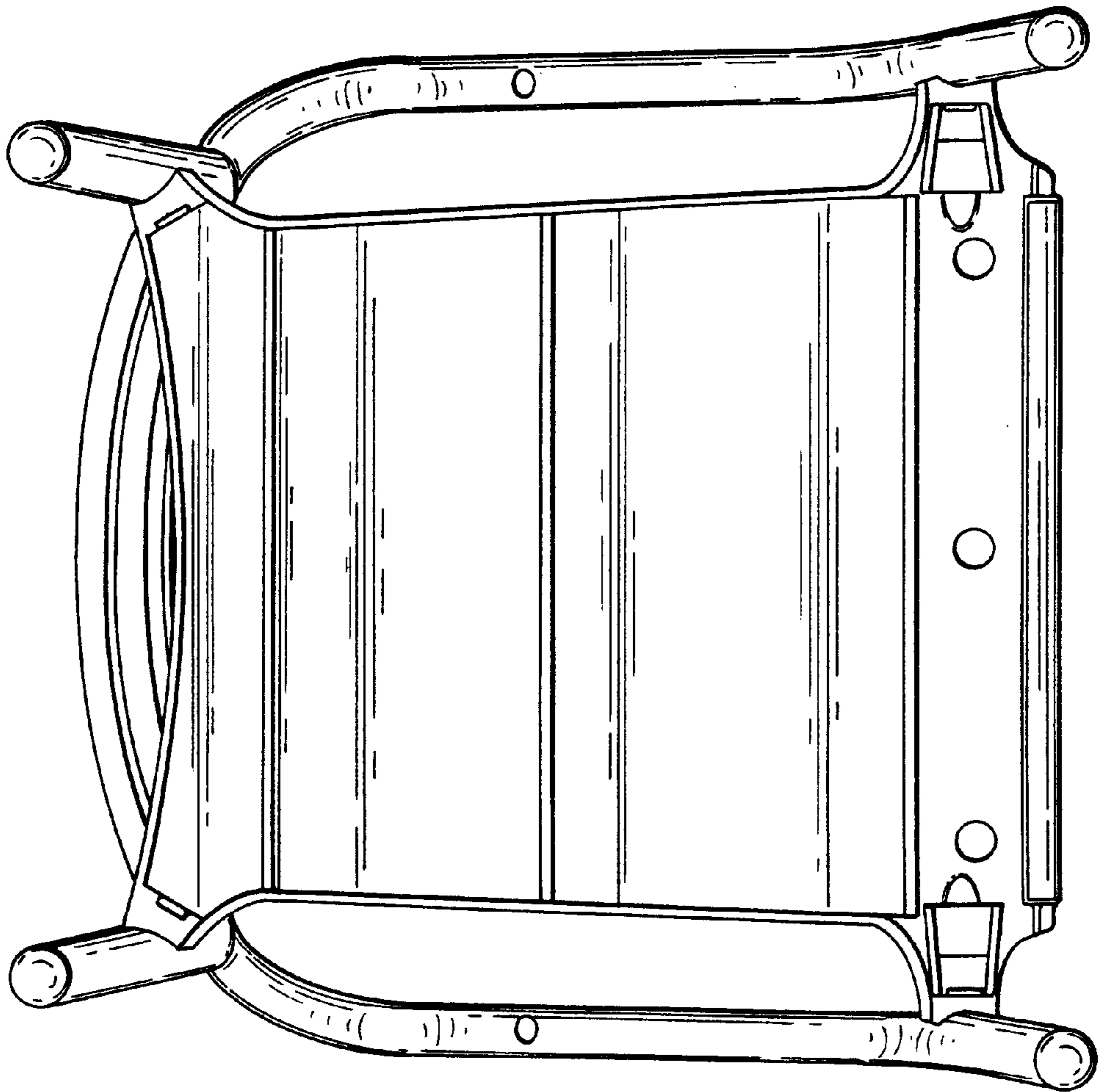


FIG-5



UNITED STATES PATENT AND TRADEMARK OFFICE
CERTIFICATE OF CORRECTION

PATENT NO. : Des. 429,910
DATED : August 29, 2000
INVENTOR(S) : Thomas Starczewski

It is certified that error appears in the above-identified patent and that said Letters Patent is hereby corrected as shown below:

On the Title Page, Item [73]: Change "Wilkahn Wikenig + Hahne GmbH + Co." to -- Wilkhahn Wilkening + Hahne GmbH + Co. --.

Signed and Sealed this
Tenth Day of April, 2001

Attest:



NICHOLAS P. GODICI

Attesting Officer

Acting Director of the United States Patent and Trademark Office