



US00D429906S

# United States Patent [19] Hansen

[11] Patent Number: Des. 429,906

[45] Date of Patent: \*\* Aug. 29, 2000

[54] BICYCLE SEAT

[76] Inventor: James E. Hansen, 1251 19th St.,  
Watervliet, N.Y. 12189

[\*\*] Term: 14 Years

[21] Appl. No.: 29/108,389

[22] Filed: Jul. 27, 1999

[51] LOC (7) Cl. .... 06-01

[52] U.S. Cl. .... D6/354

[58] Field of Search ..... D6/354; 297/195.1,  
297/195.12, 201, 202, 214, 215.13, 215.15

[56] **References Cited**

U.S. PATENT DOCUMENTS

D. 295,120	4/1988	Gordon .	
D. 406,471	3/1999	Trotter .....	D6/354
471,417	3/1892	Bunker .	
620,284	2/1899	Cross .	
621,139	3/1899	Reuter .	
674,864	5/1901	Green .	
3,874,730	4/1975	Marchello .	
4,108,462	8/1978	Martin .	
4,176,880	12/1979	Marchello .	
4,387,925	6/1983	Barker et al. .	
4,512,608	4/1985	Erani .....	297/201
4,613,187	9/1986	Gordon .	

4,773,705	9/1988	Terranova .	
4,950,004	8/1990	Sunshine .	
5,387,025	2/1995	Denisar .	
5,709,430	1/1998	Peters .	
5,823,618	10/1998	Fox et al. ....	297/201

Primary Examiner—Melody N. Brown  
Attorney, Agent, or Firm—Hoffman, Warnick &  
D'Alessandro LLC

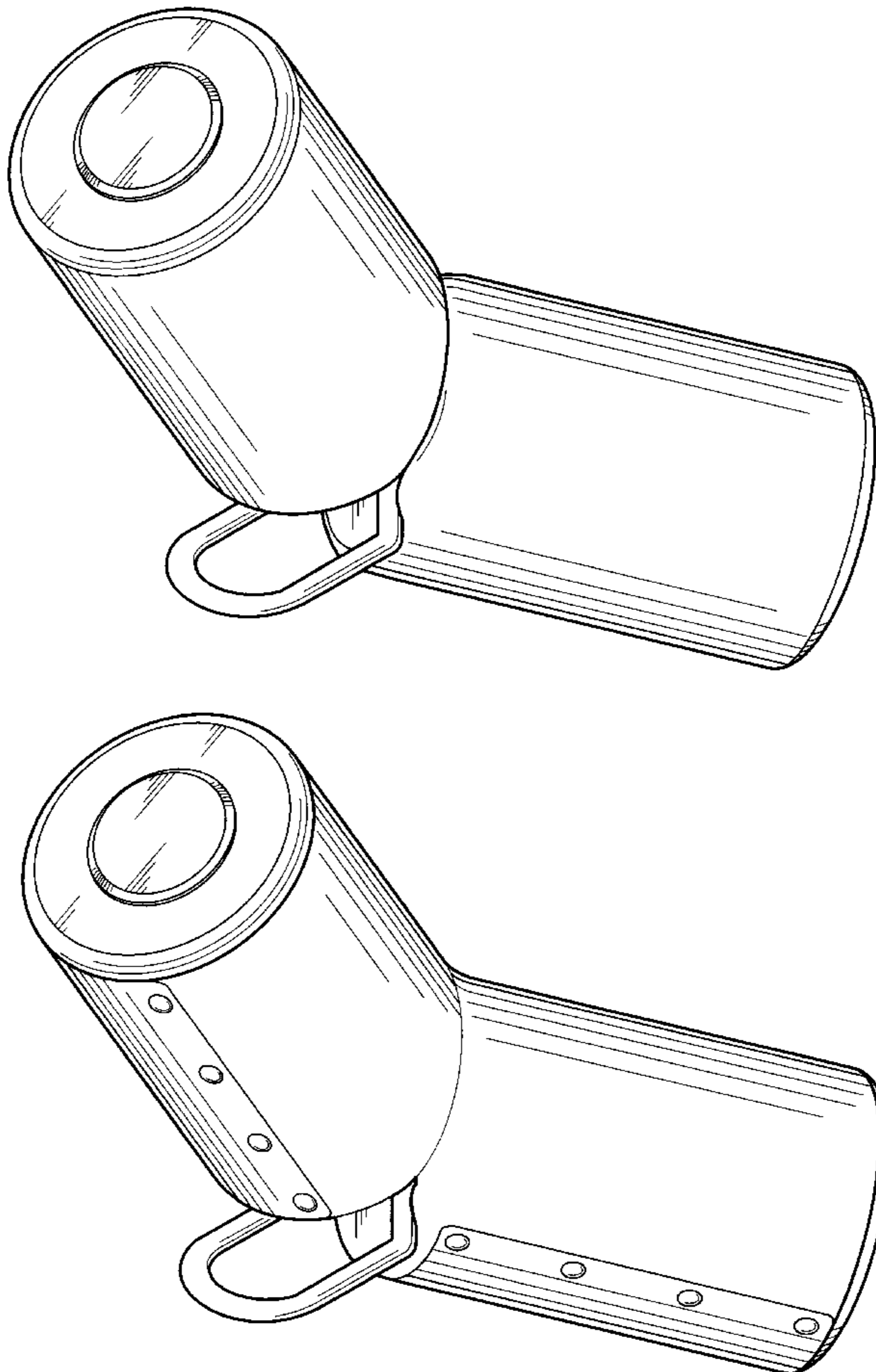
[57] **CLAIM**

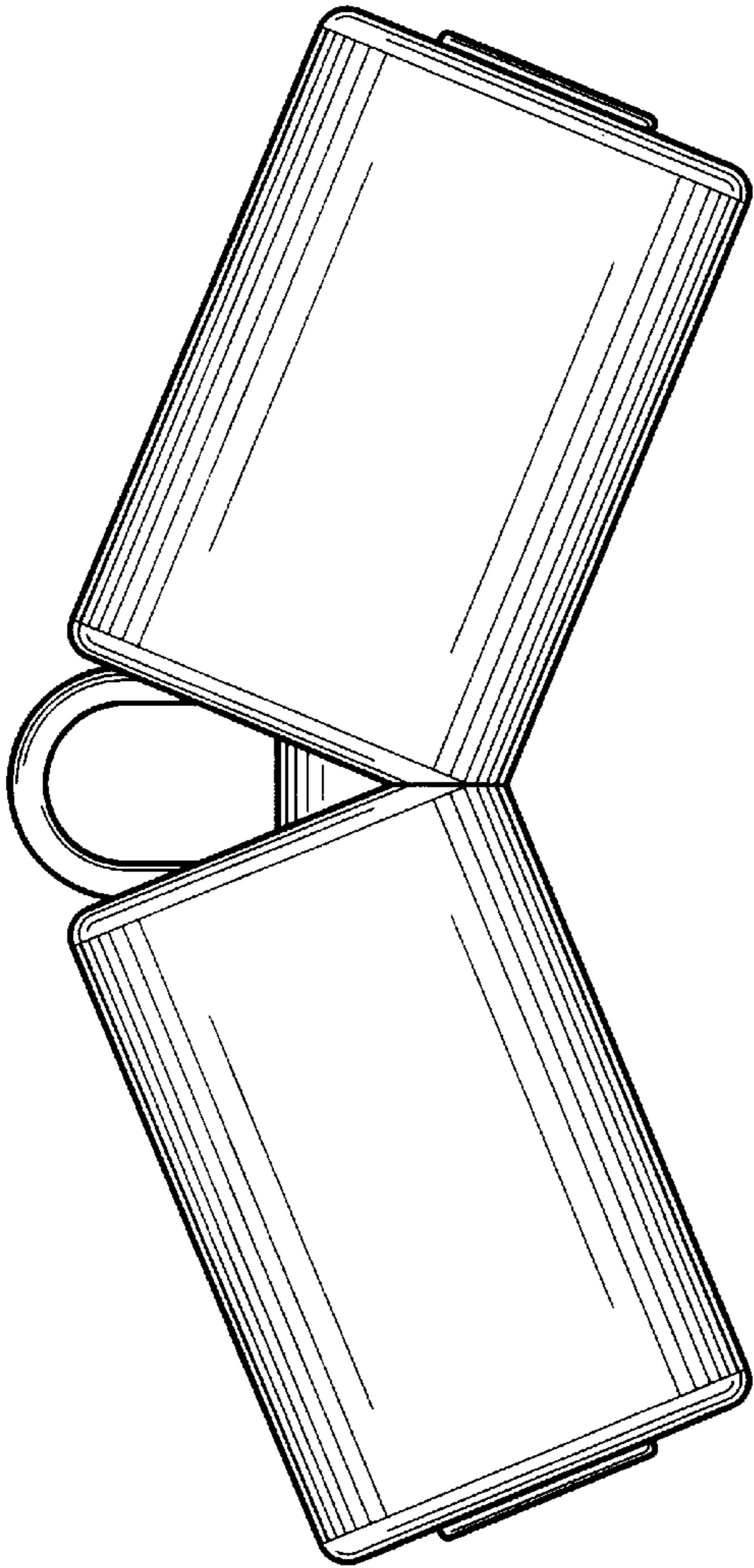
The ornamental design for a bicycle seat, as shown and described.

**DESCRIPTION**

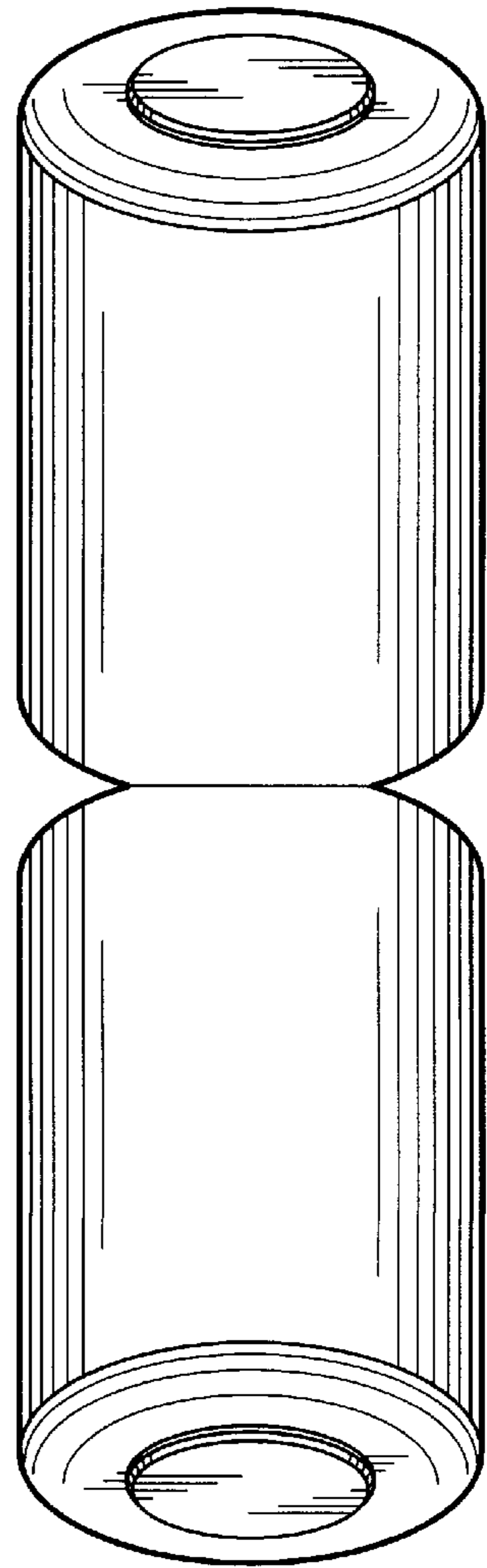
FIG. 1 is a top view of a first embodiment of the bicycle seat; FIG. 2 is a rear view of a first embodiment of the bicycle seat; FIG. 3 is a side view of a first embodiment of the bicycle seat; FIG. 4 is a bottom view of a first embodiment of the bicycle seat; FIG. 5 is a top perspective view of a first embodiment of the bicycle seat; FIG. 6 is a bottom perspective view of a first embodiment of the bicycle seat; and, FIG. 7 is a bottom perspective view of a second embodiment of the bicycle seat.

1 Claim, 5 Drawing Sheets

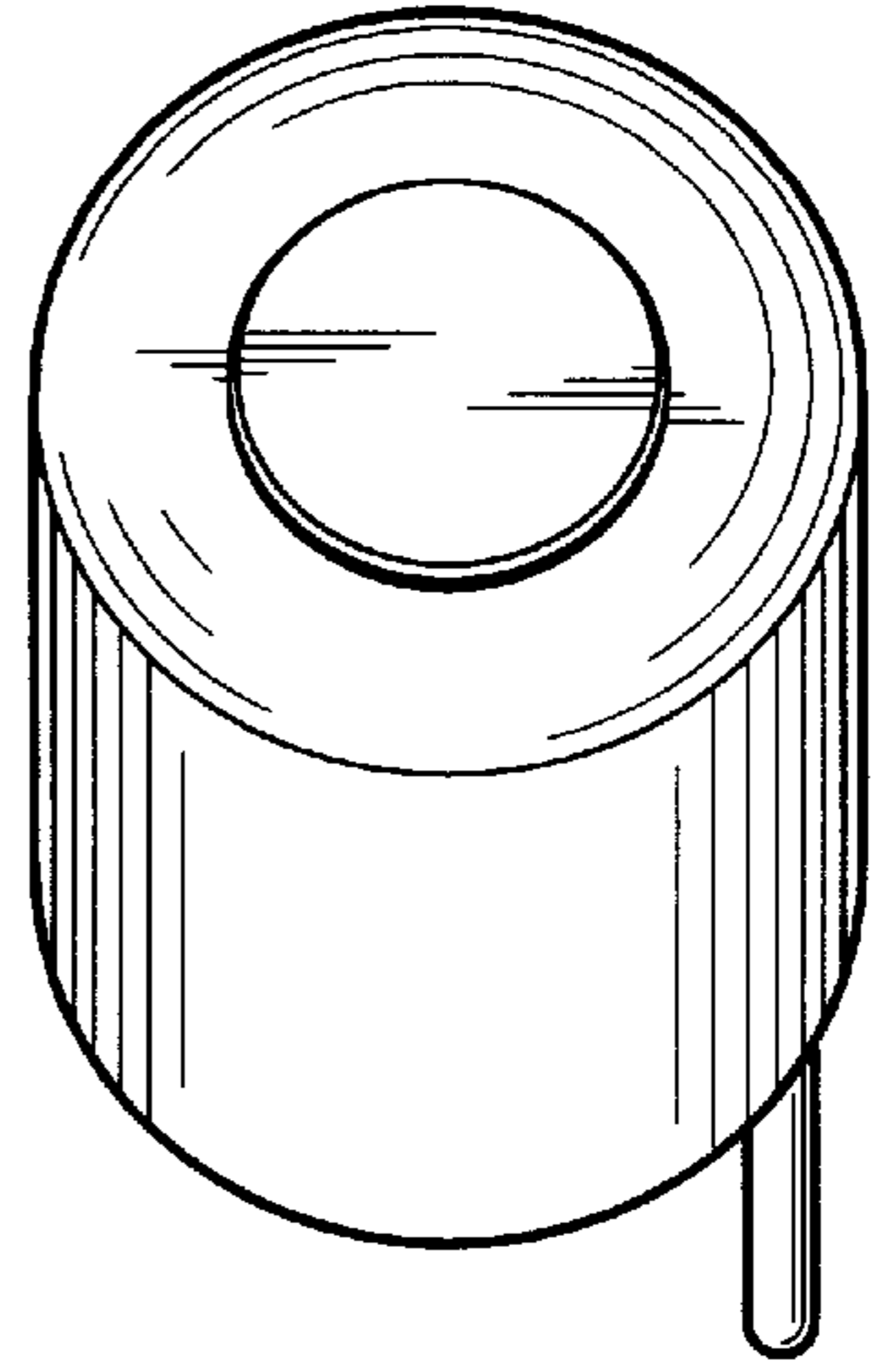




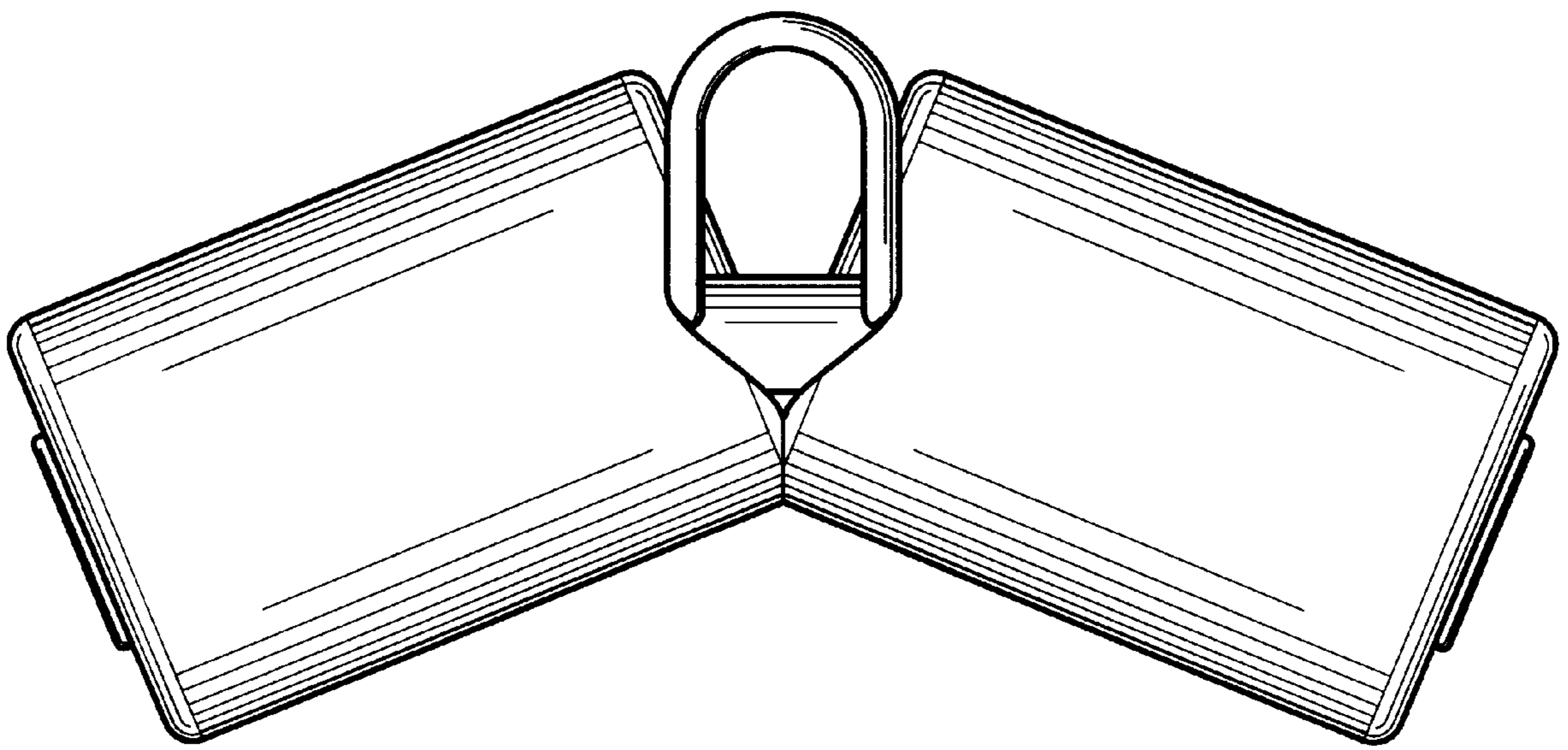
**FIG. 1**



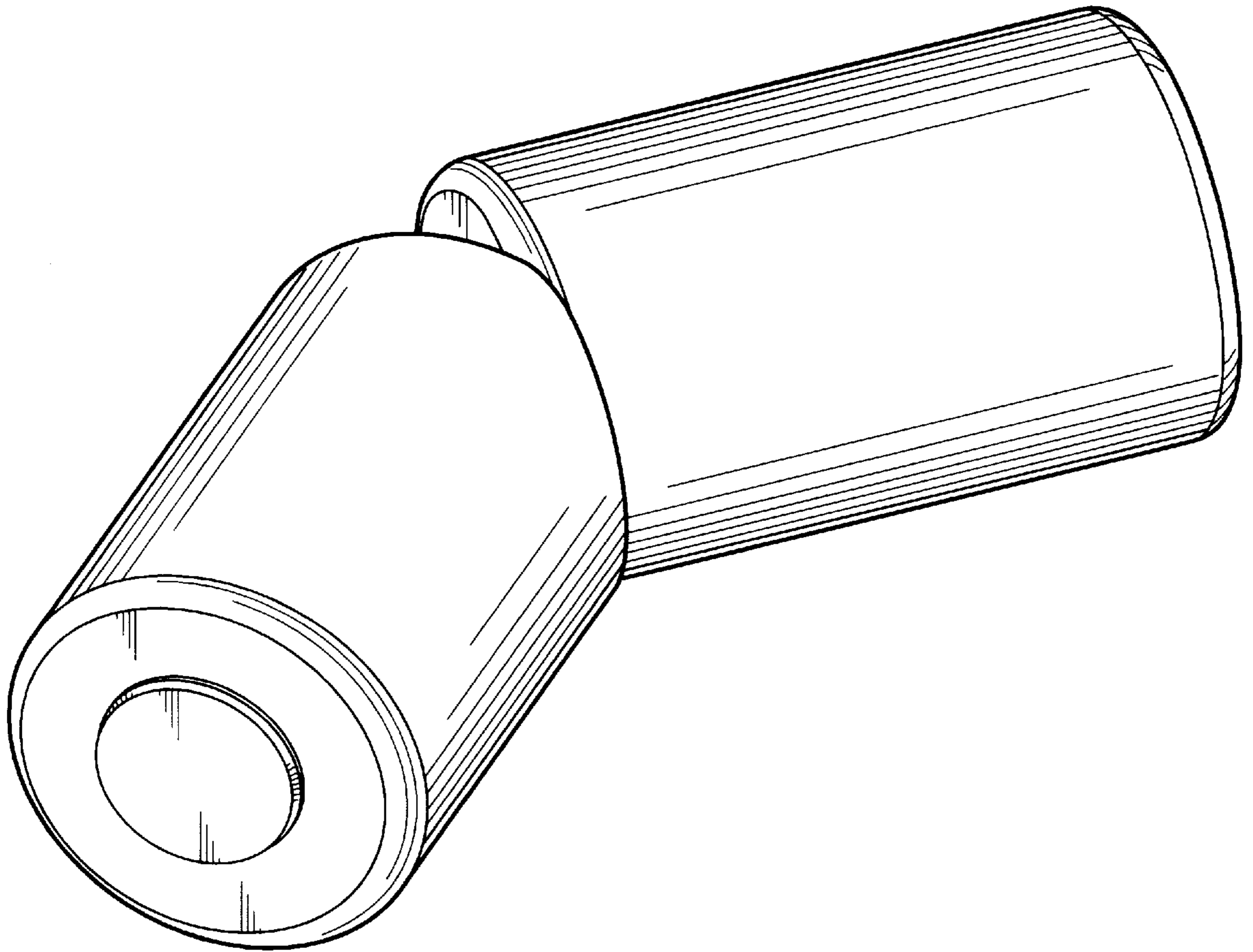
**FIG. 2**



**FIG. 3**

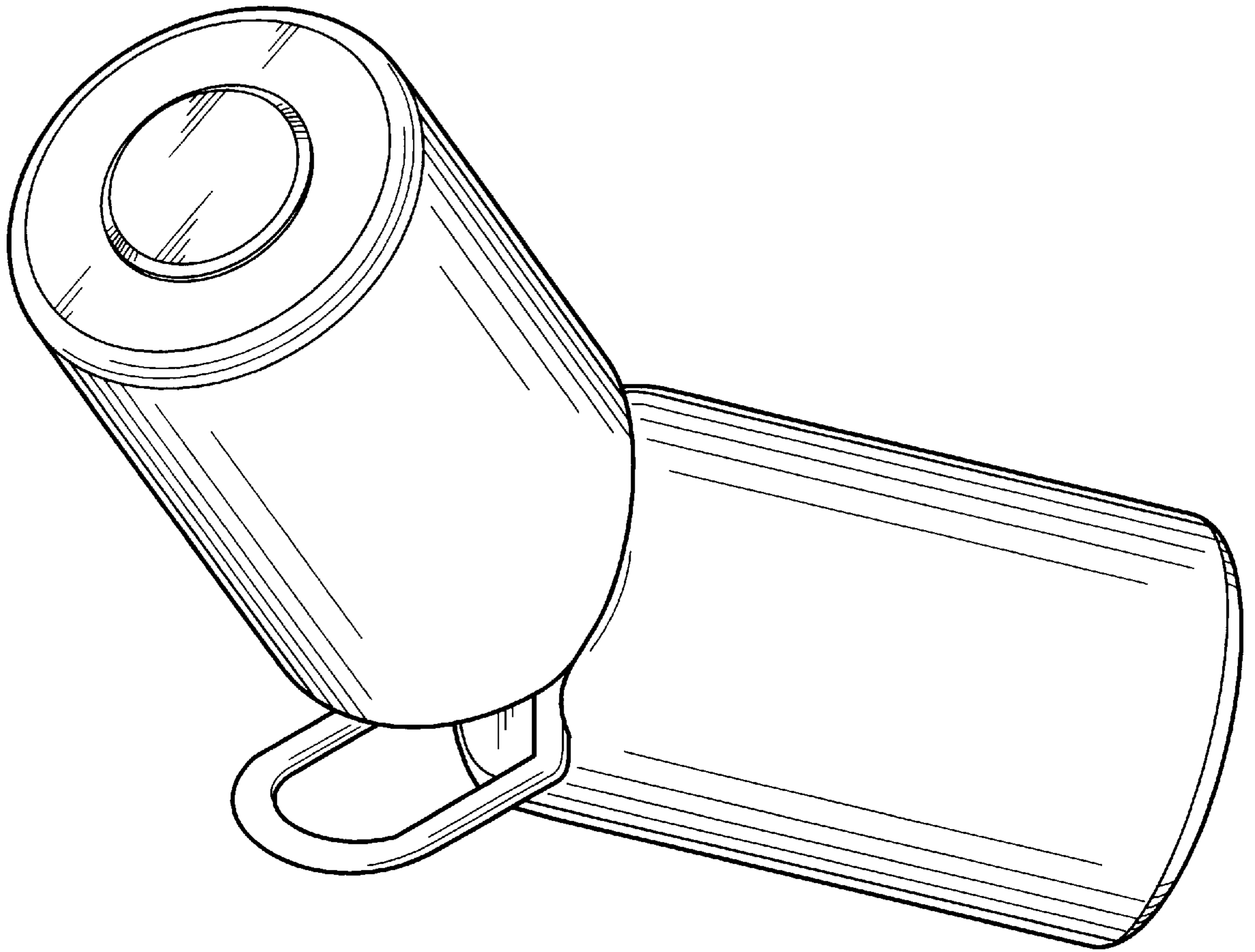


**FIG. 4**

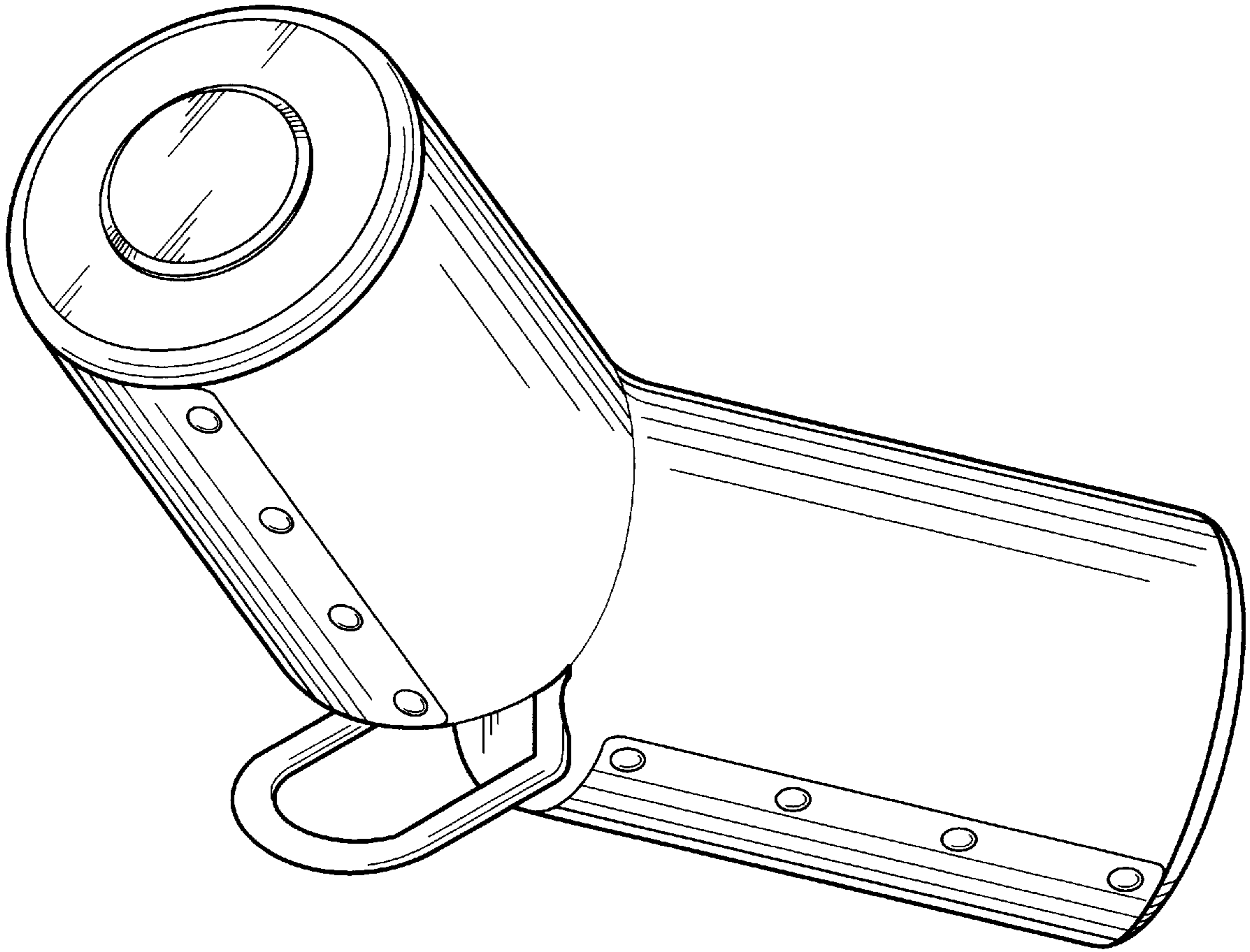


**FIG. 5**





**FIG. 6**



**FIG. 7**

UNITED STATES PATENT AND TRADEMARK OFFICE  
**CERTIFICATE OF CORRECTION**

PATENT NO. : Des. 429,906  
DATED : Aug. 29, 2000  
INVENTOR(S) : James E. Hansen

It is certified that error appears in the above-identified patent and that said Letters Patent are hereby corrected as shown below:

Front page, col. 2, Fig. 7 description, after "seat," the following should be inserted:  
--, all other drawing views are the same as in the first embodiment shown in Figs. 1-6--.

Signed and Sealed this  
Tenth Day of April, 2001



NICHOLAS P. GODICI

Attest:

Attesting Officer

Acting Director of the United States Patent and Trademark Office