



US00D429903S

**United States Patent** [19]  
**Iannaccone**

[11] **Patent Number: Des. 429,903**

[45] **Date of Patent: \*\* Aug. 29, 2000**

[54] **PICNIC TABLE**

[76] **Inventor: Alfonso Iannaccone**, 2683 Rolling Green Dr., Macungie, Pa. 18062

[\*\*] **Term: 14 Years**

[21] **Appl. No.: 29/112,248**

[22] **Filed: Oct. 12, 1999**

[51] **LOC (7) Cl. .... 06-01**

[52] **U.S. Cl. .... D6/337**

[58] **Field of Search** ..... D6/334, 337, 370, D6/500, 501, 502; 297/157.1, 158.3, 158.4

[56] **References Cited**

**U.S. PATENT DOCUMENTS**

- D. 180,331 5/1957 Holmdahl ..... D6/337
- D. 242,305 11/1976 Campbell et al. .... D6/337

- D. 286,953 12/1986 Mayo ..... D6/337
- D. 327,778 7/1992 Crawford ..... D6/337
- 2,849,053 8/1958 Beller et al. .... 297/158.4

*Primary Examiner*—Doris V. Coles  
*Assistant Examiner*—Mimosa De  
*Attorney, Agent, or Firm*—Michael J. McGreal

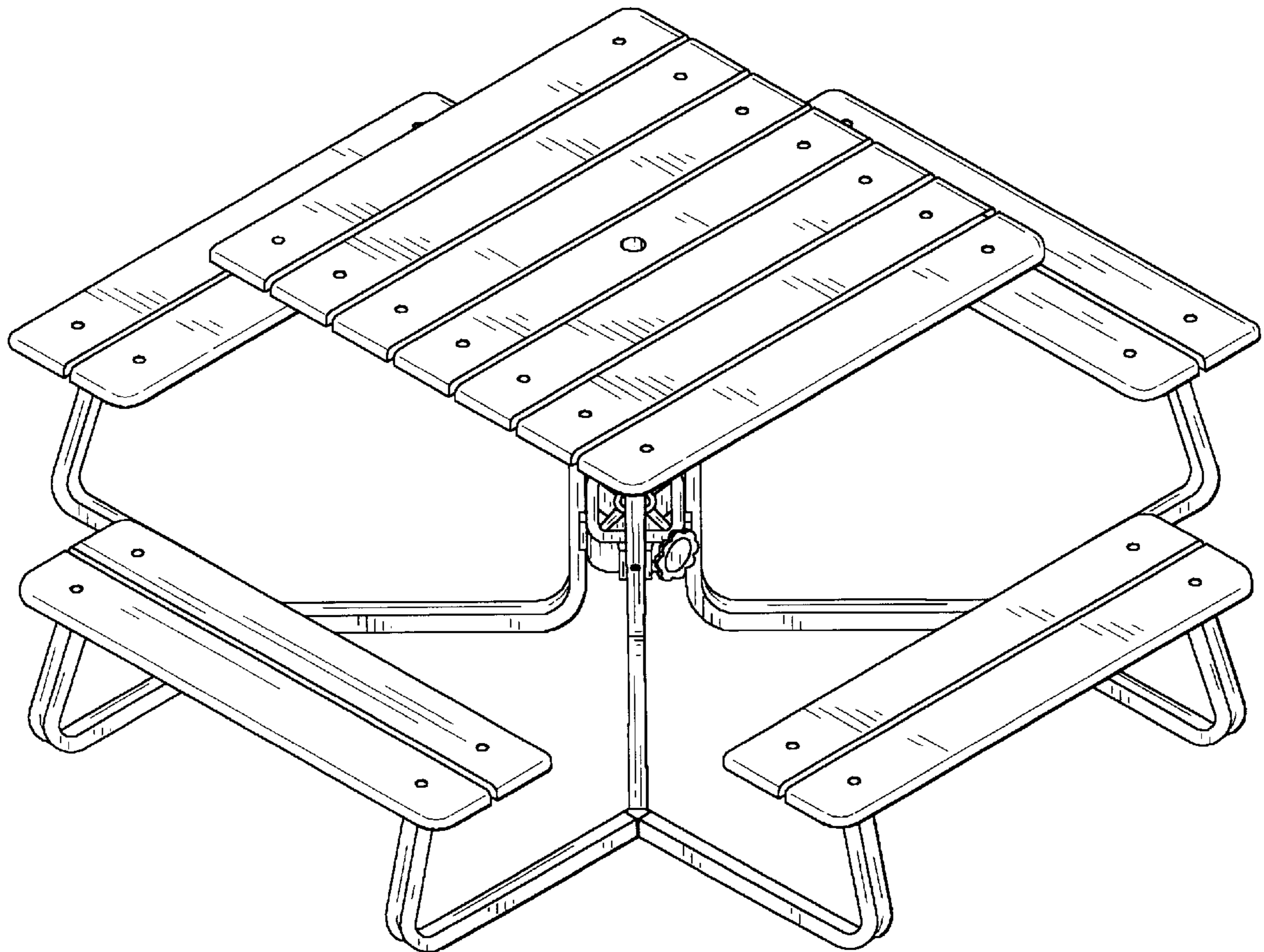
[57] **CLAIM**

The ornamental design for a picnic table, as shown and described.

**DESCRIPTION**

FIG. 1 is a perspective view of the picnic table of our design. FIG. 2 is a side elevation view thereof. FIG. 3 is a top plan view thereof; and, FIG. 4 is a bottom plan view thereof.

**1 Claim, 3 Drawing Sheets**



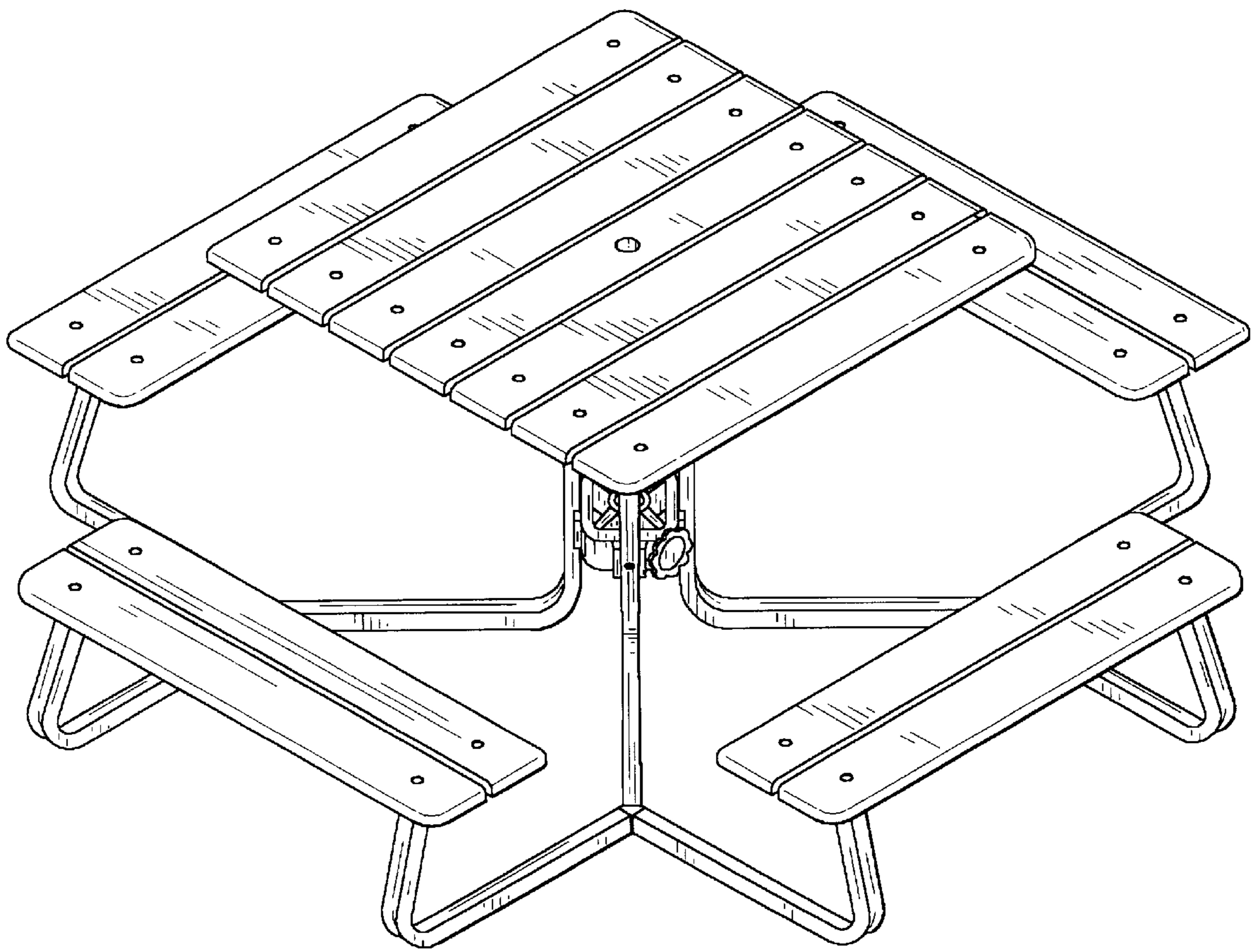


FIG. 1

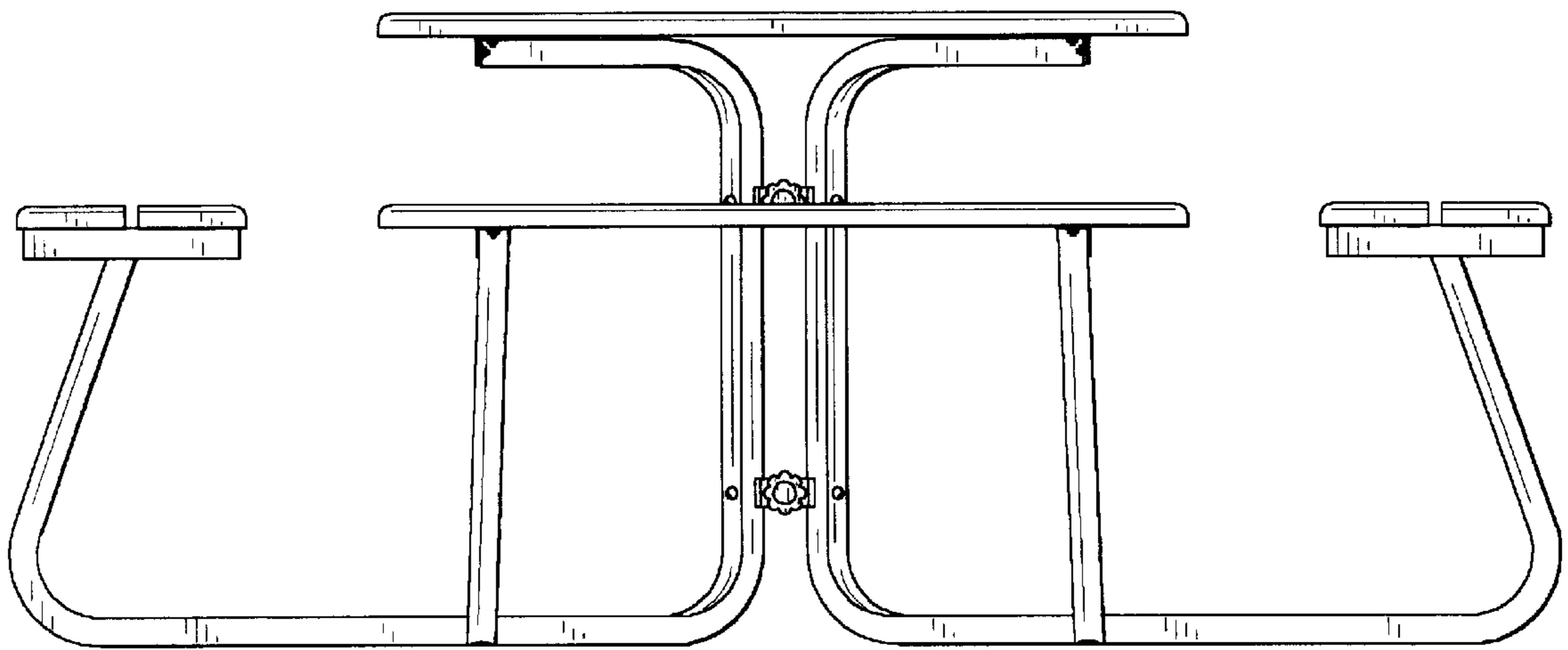


FIG. 2

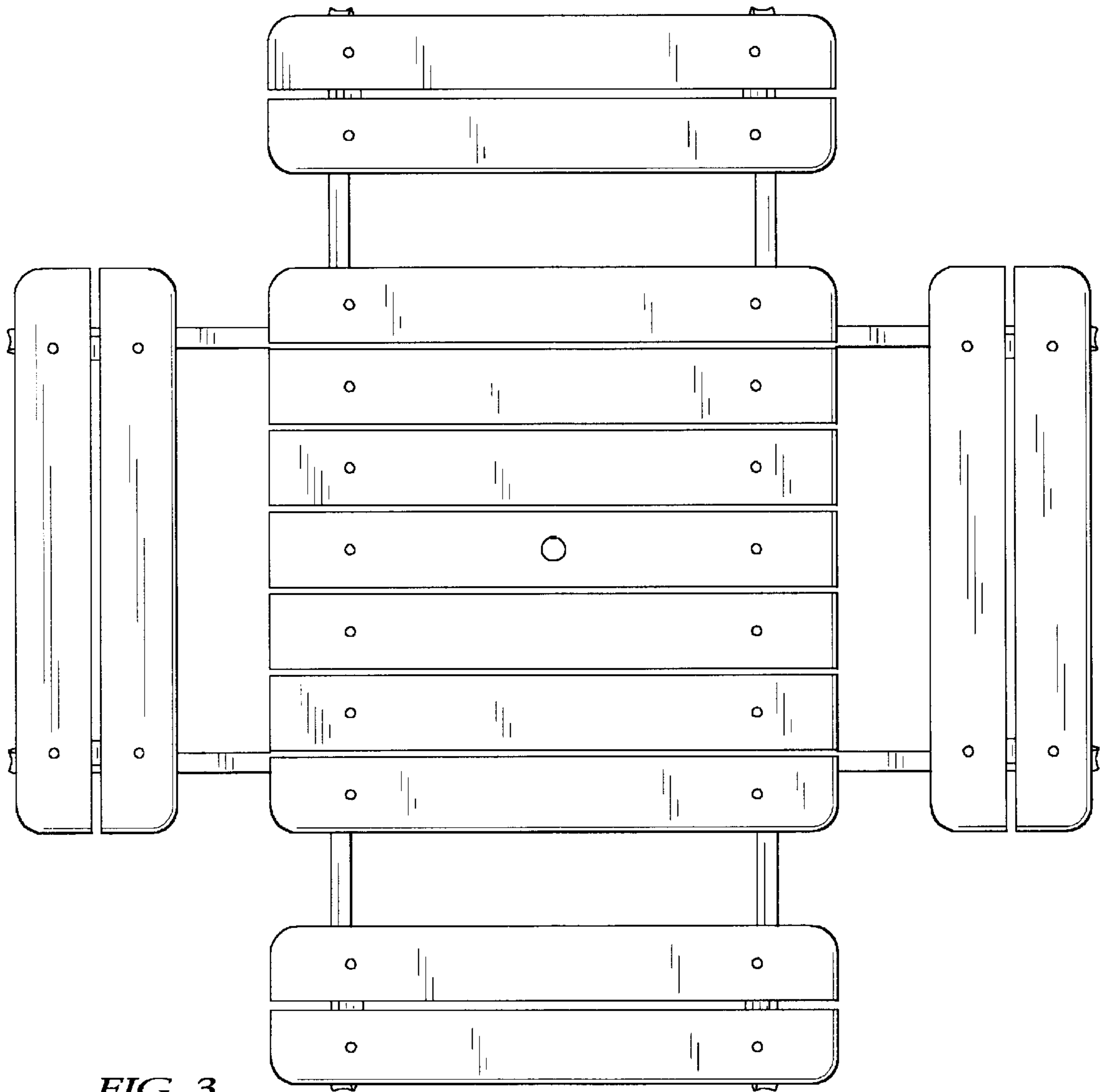


FIG. 3

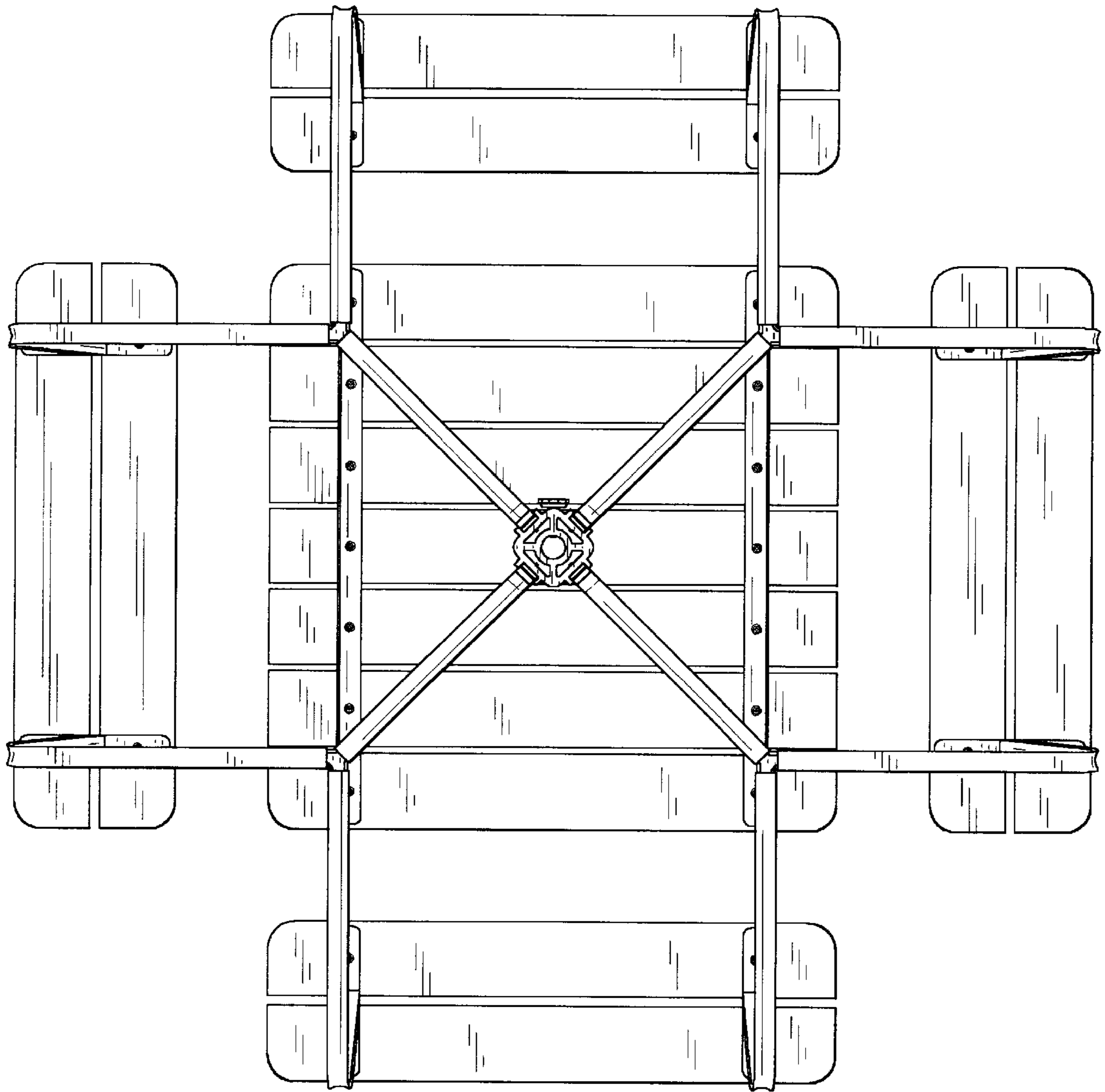


FIG. 4