



US00D429902S

United States Patent [19]

Michaelson

[11] Patent Number: Des. 429,902

[45] Date of Patent: ** Aug. 29, 2000

[54] VALET STORAGE SEAT

[76] Inventor: **H. Ward Michaelson**, 4 Whitfield La., Tanglewood Hills, N.Y. 11727

[**] Term: **14 Years**

[21] Appl. No.: **29/110,026**

[22] Filed: **Aug. 27, 1999**

[51] LOC (7) Cl. **06-01**

[52] U.S. Cl. **D6/336; D6/343**

[58] Field of Search D6/334, 335, 336, D6/345, 348, 351, 358, 359, 368, 397, 434, 435, 440; D3/201, 270; 297/188.08, 188.1, 440.13, 461, 462

[56] **References Cited**

U.S. PATENT DOCUMENTS

D. 182,182	2/1958	Herschell	D6/348
D. 188,658	8/1960	Locke	D6/359
D. 188,659	8/1960	Locke	D6/359

D. 213,684	4/1969	Barghout	D6/359
D. 244,106	4/1977	London	D6/348
D. 324,961	3/1992	Gandy	D6/345
D. 329,759	9/1992	Gandy	D6/390

Primary Examiner—Doris V. Coles
Assistant Examiner—Mimosa De
Attorney, Agent, or Firm—Gottlieb Rackman & Reisman PC

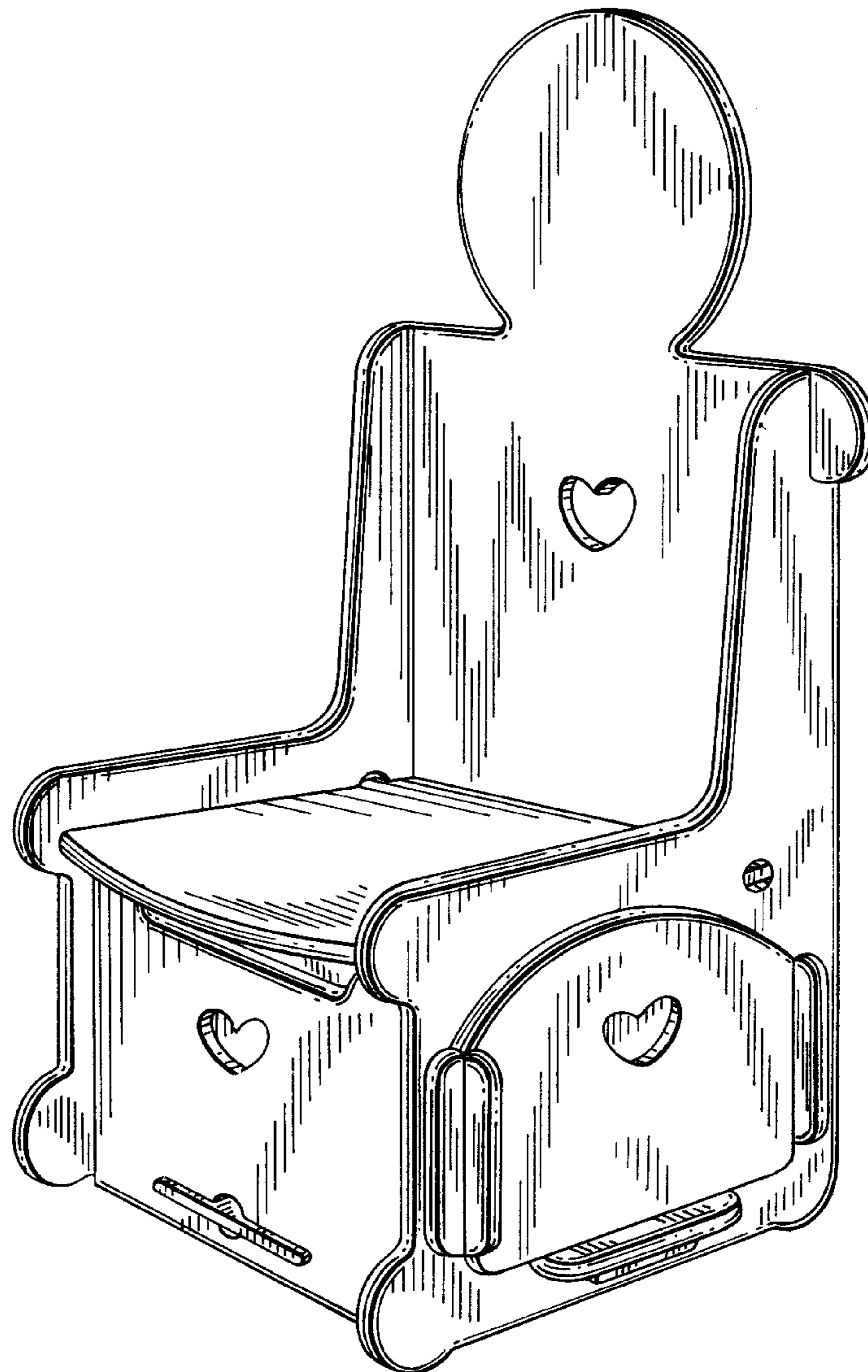
[57] **CLAIM**

The ornamental valet storage seat, as shown and described.

DESCRIPTION

FIG. 1 is a perspective view of the valet storage seat; FIG. 2 is a front view of the valet storage seat; FIG. 3 is a left side view of the valet storage seat; FIG. 4 is a top view of the valet storage seat; FIG. 5 is a bottom view of the valet storage seat; FIG. 6 is a right side view of the valet storage seat; and, FIG. 7 is a back view of the valet storage seat.

1 Claim, 4 Drawing Sheets



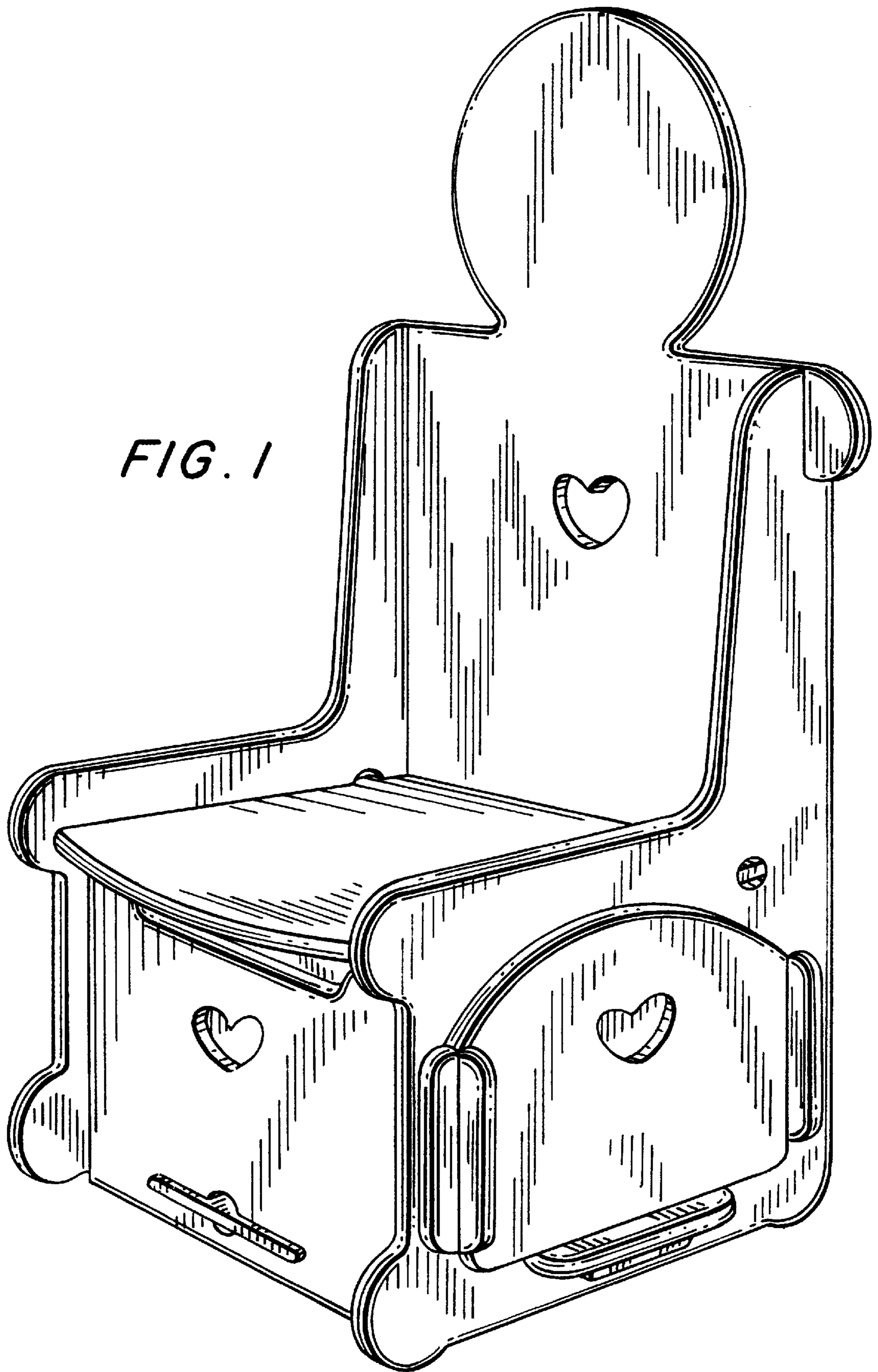


FIG. 1

FIG. 3

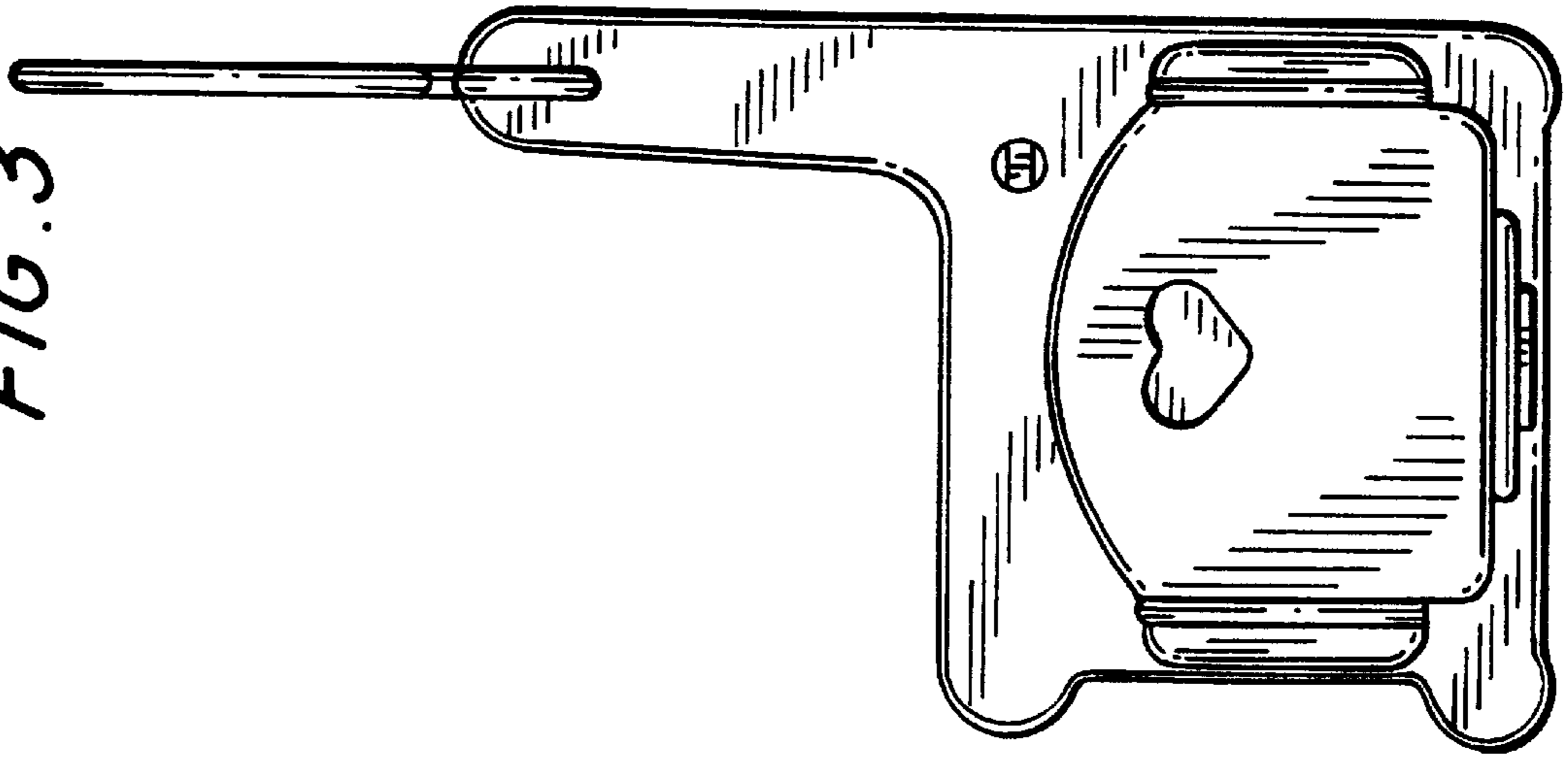


FIG. 2

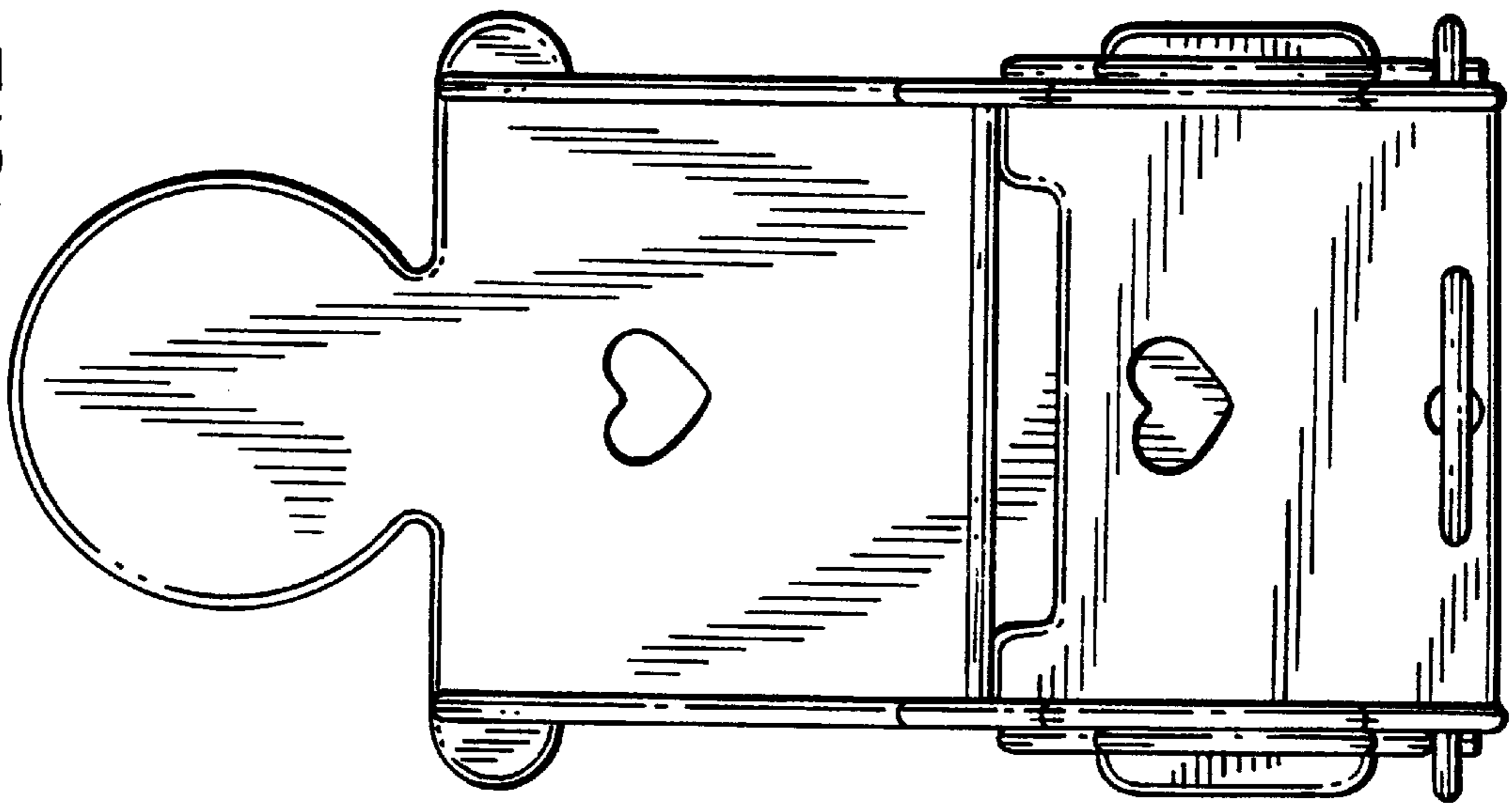


FIG. 4

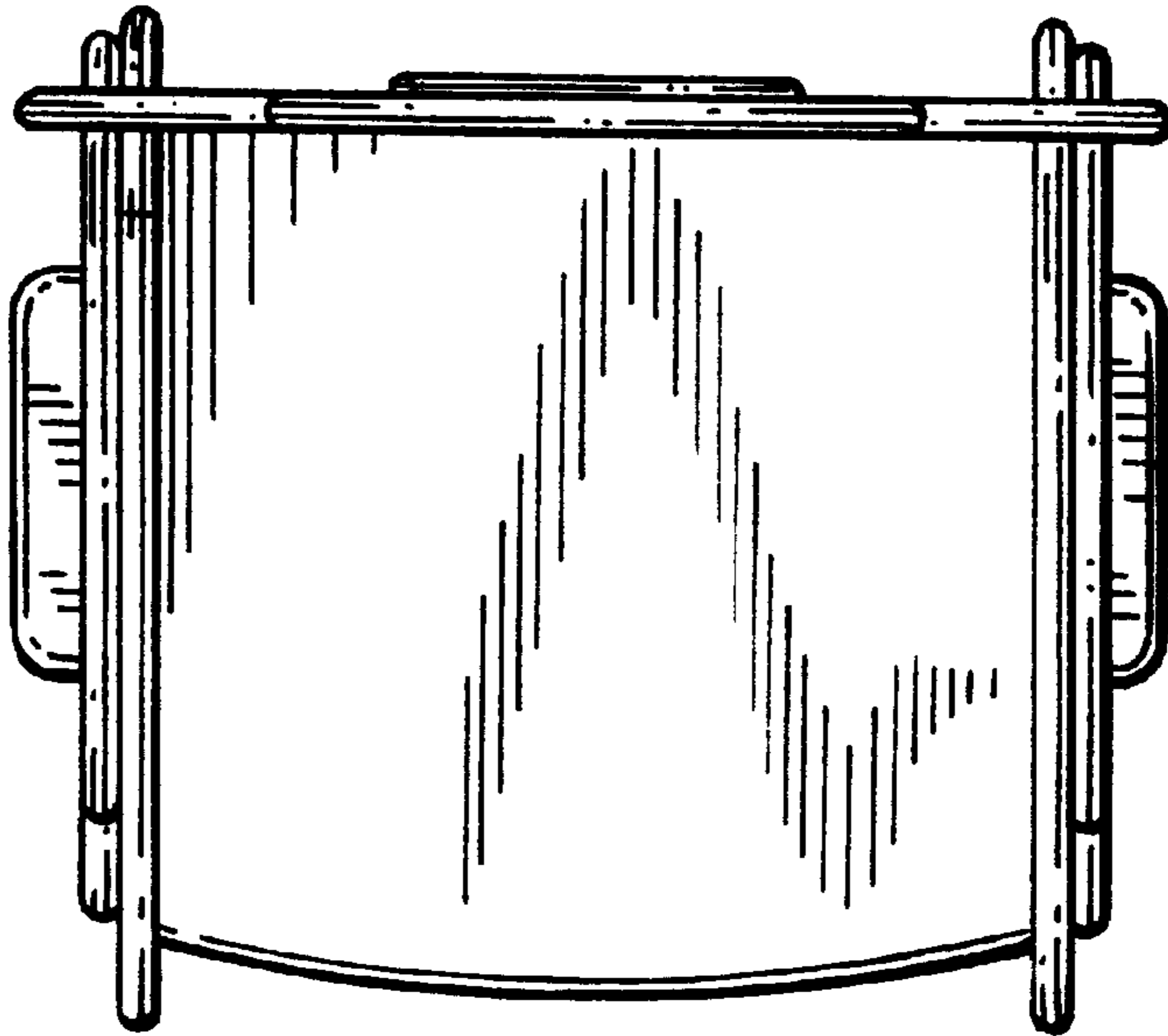
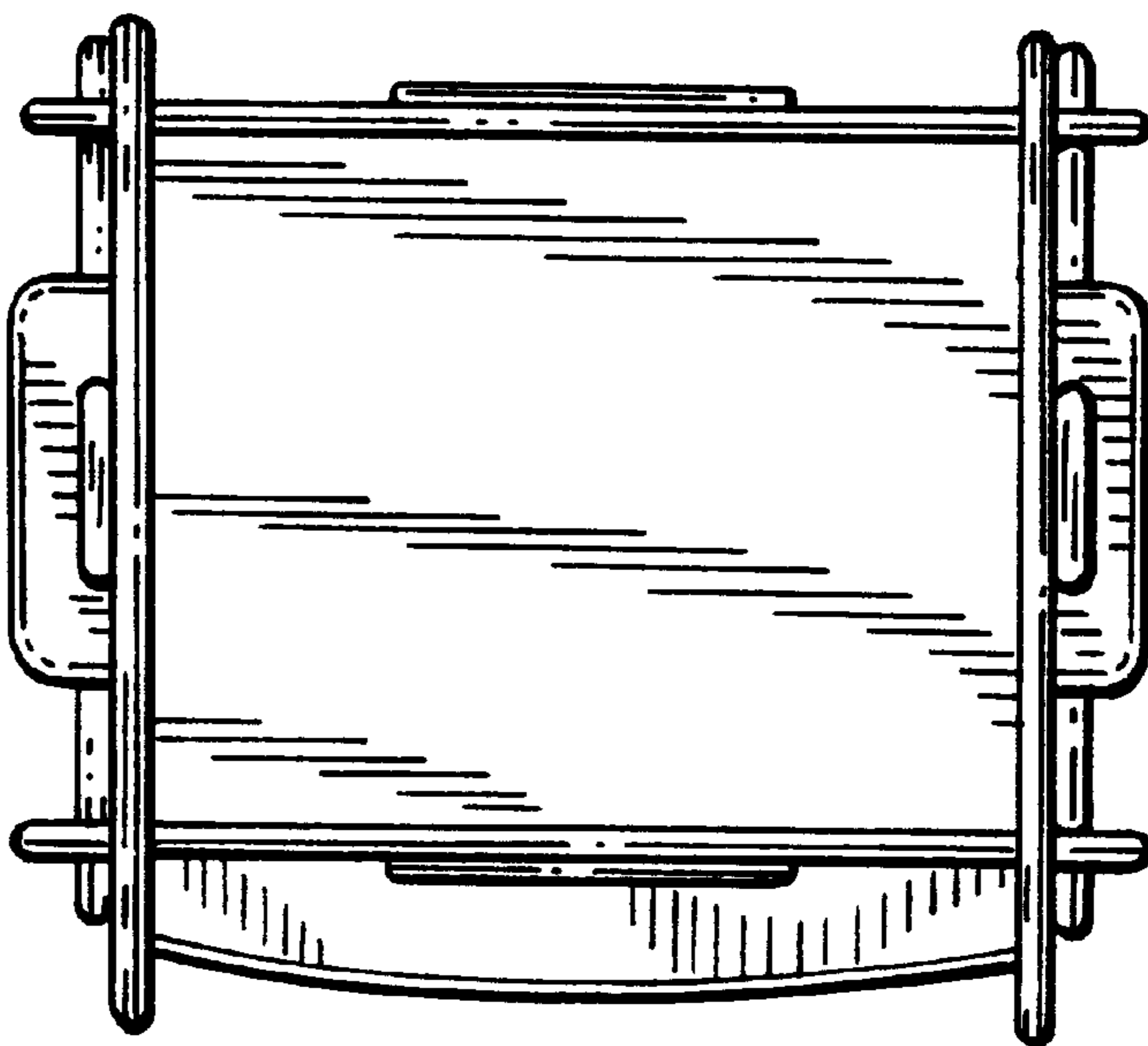


FIG. 5



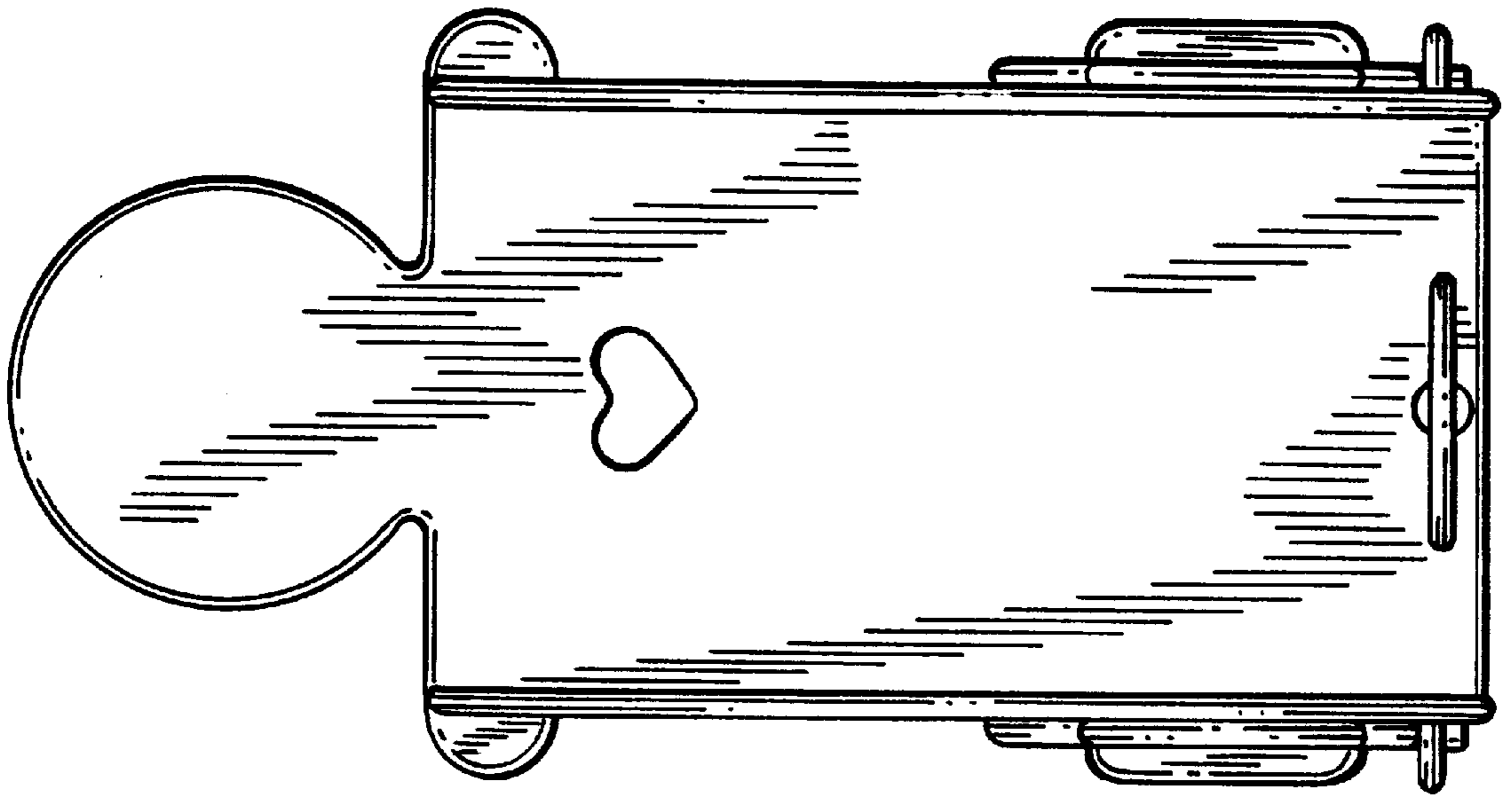


FIG. 7

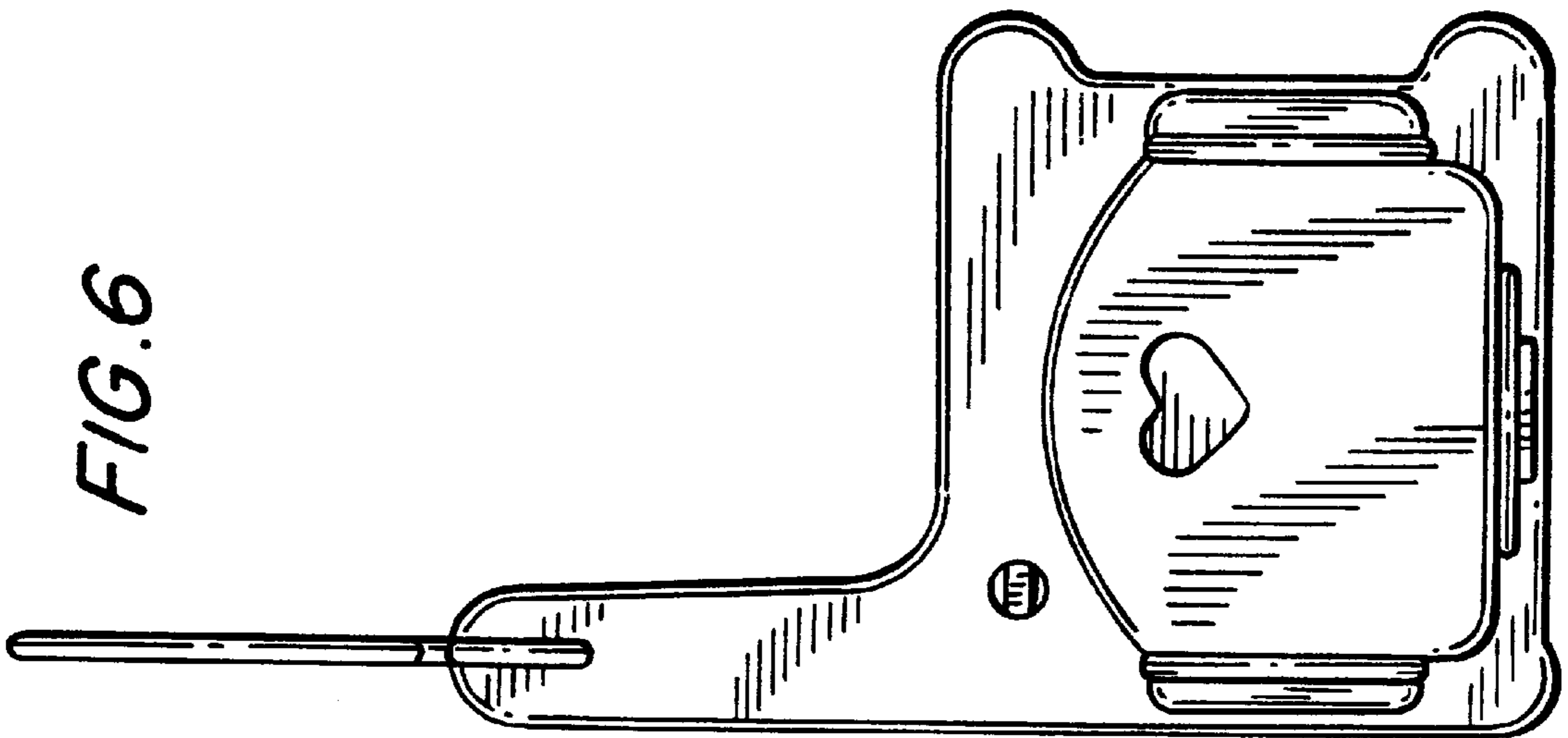


FIG. 6