



US00D429898S

United States Patent [19]

Morgan et al.

[11] Patent Number: Des. 429,898

[45] Date of Patent: ** Aug. 29, 2000

[54] GARMENT HANGER FOR SHIPPING AND DISPLAY

4,658,996	4/1987	Warmath	24/511
5,075,935	12/1991	Abdi	24/507
5,934,525	8/1999	Blanchard	223/96

[75] Inventors: Donald F. Morgan; Russell O. Blanchard, both of Zeeland; John H. Batts, Grand Rapids, all of Mich.

Primary Examiner—B. J. Bullock
Attorney, Agent, or Firm—Baker & McKenzie

[73] Assignee: Batts, Inc., Zeeland, Mich.

[57] CLAIM

[**] Term: 14 Years

The ornamental design for a garment hanger for shipping and display, as shown and described.

[21] Appl. No.: 29/099,050

DESCRIPTION

[22] Filed: Jan. 12, 1999

FIG. 1 is a perspective view of the ornamental design of a garment hanger for shipping and display of this invention; FIG. 2 is a left end view thereof, the right end being a mirror image thereof; FIG. 3 is a right side elevation; FIG. 4 is a top plan view; FIG. 5 is a bottom plan view; FIG. 6 is a left side elevation; and, FIGS. 7 through 12 are partial left end perspective views showing additional [alternative] embodiments of the guide ramps at the end portion of the body section of the hanger, the portion of the hangers not shown is identical to the embodiment of FIG. 1, except for the guide ramps.

[51] LOC (7) Cl. 06-08

[52] U.S. Cl. D6/326

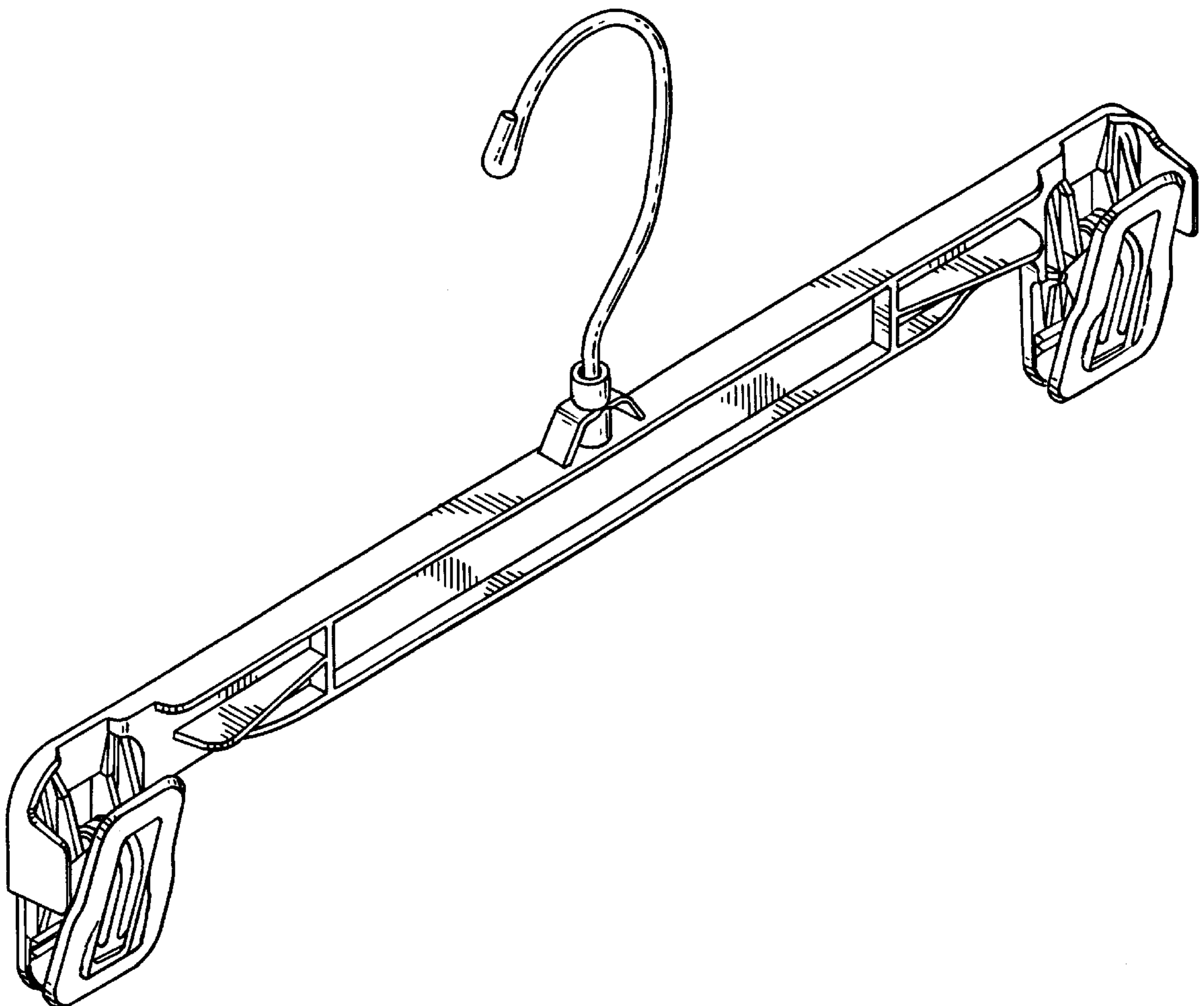
[58] Field of Search D6/315, 317-9, D6/326, 328, 513; 211/113; 223/85, 88-9, 91-6, 98; 24/507, 511, 479

[56] References Cited

U.S. PATENT DOCUMENTS

D. 301,808	6/1989	Marshall	D6/326
D. 328,194	7/1992	Garrison	D6/326
D. 334,846	4/1993	Blanchard	D6/326
D. 409,006	5/1999	Blanchard	D6/326

1 Claim, 4 Drawing Sheets



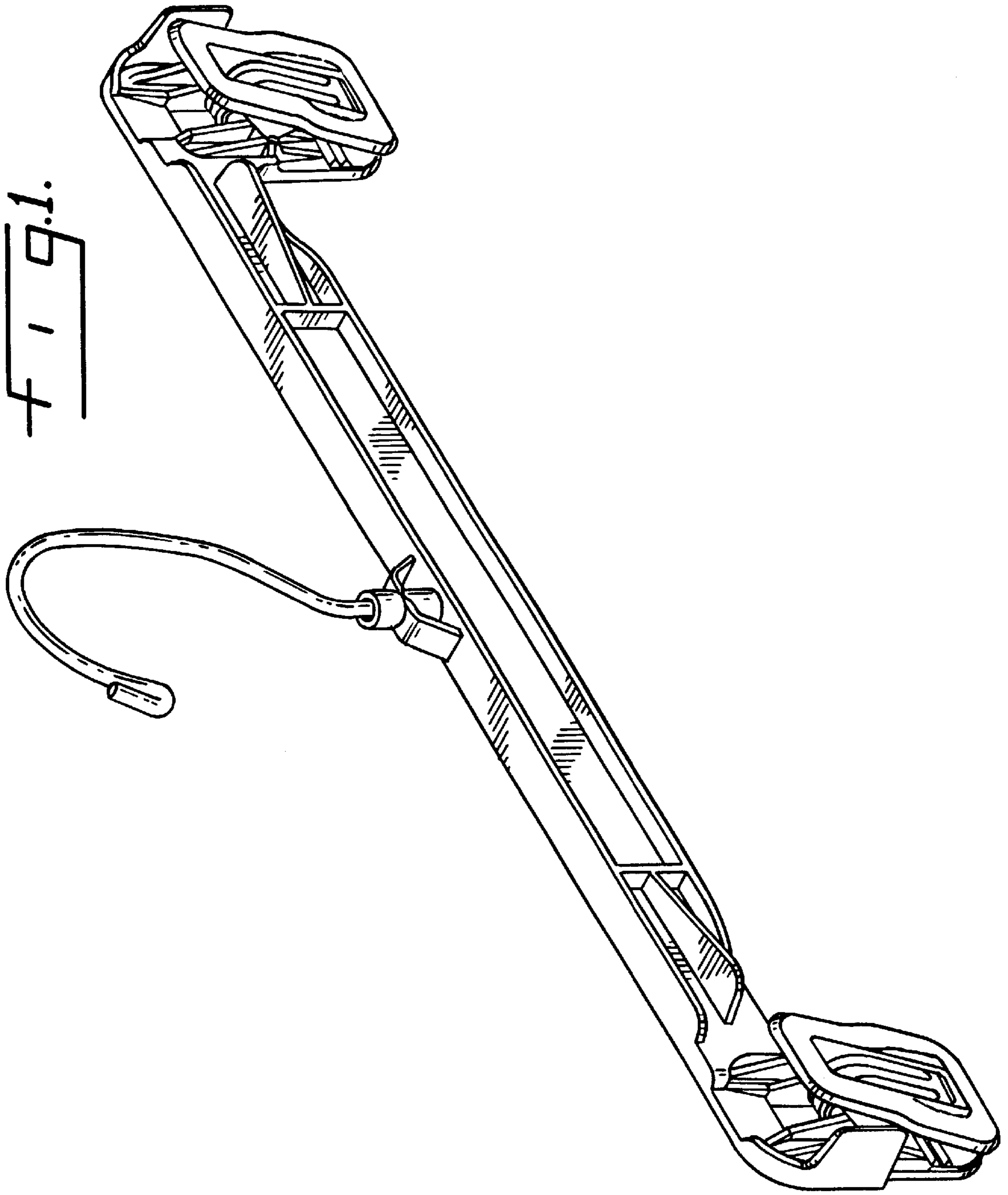


Fig. 1.

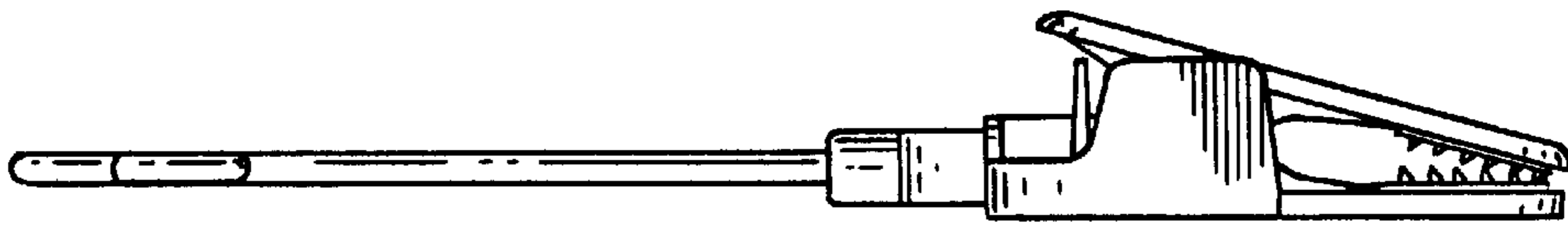


Fig. 2.

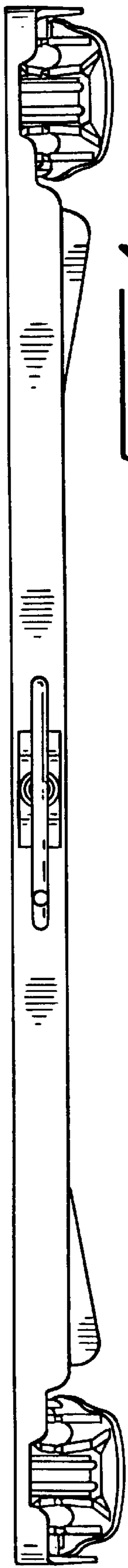


FIG. 4.

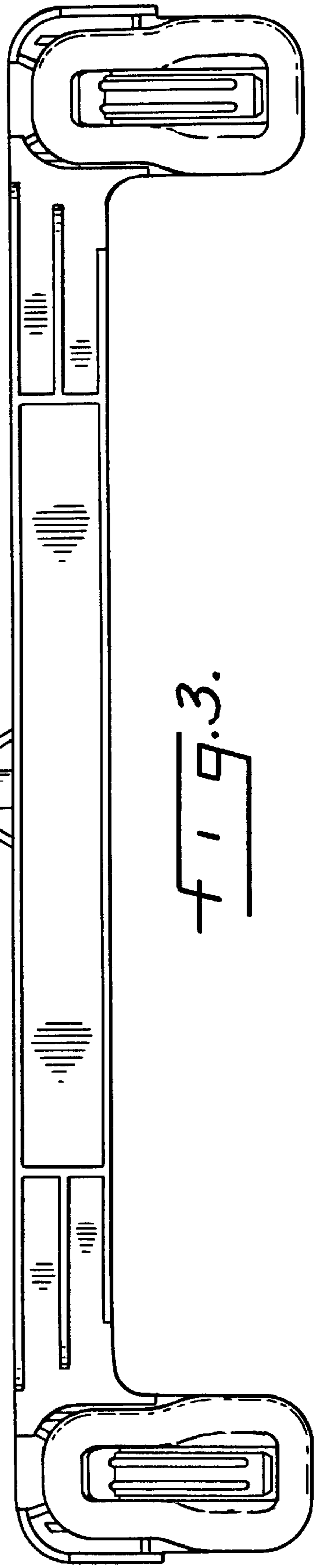
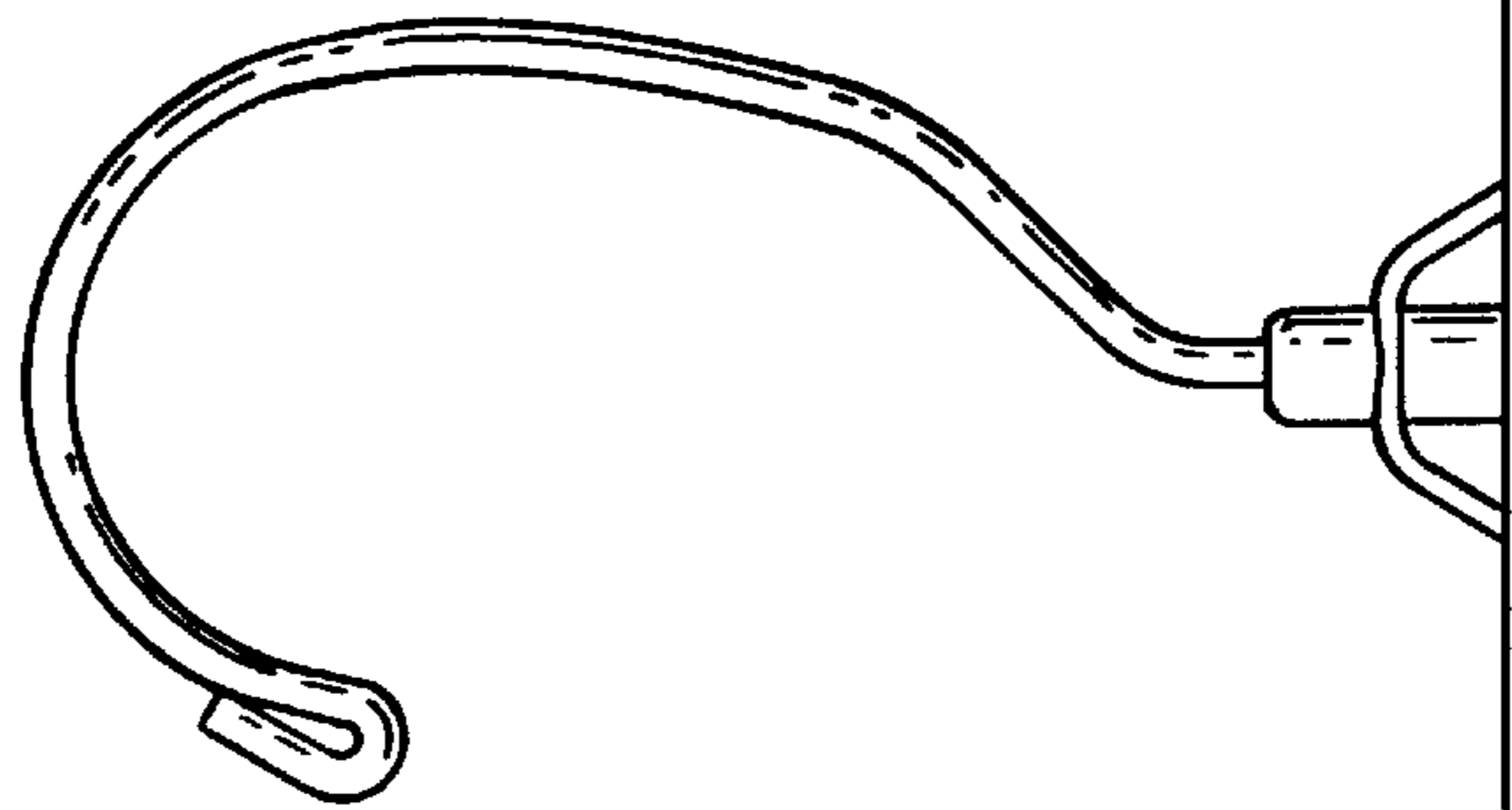


FIG. 3.

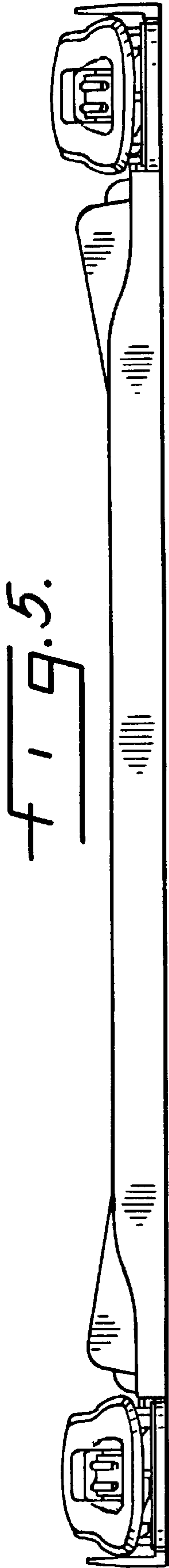


Fig. 5.

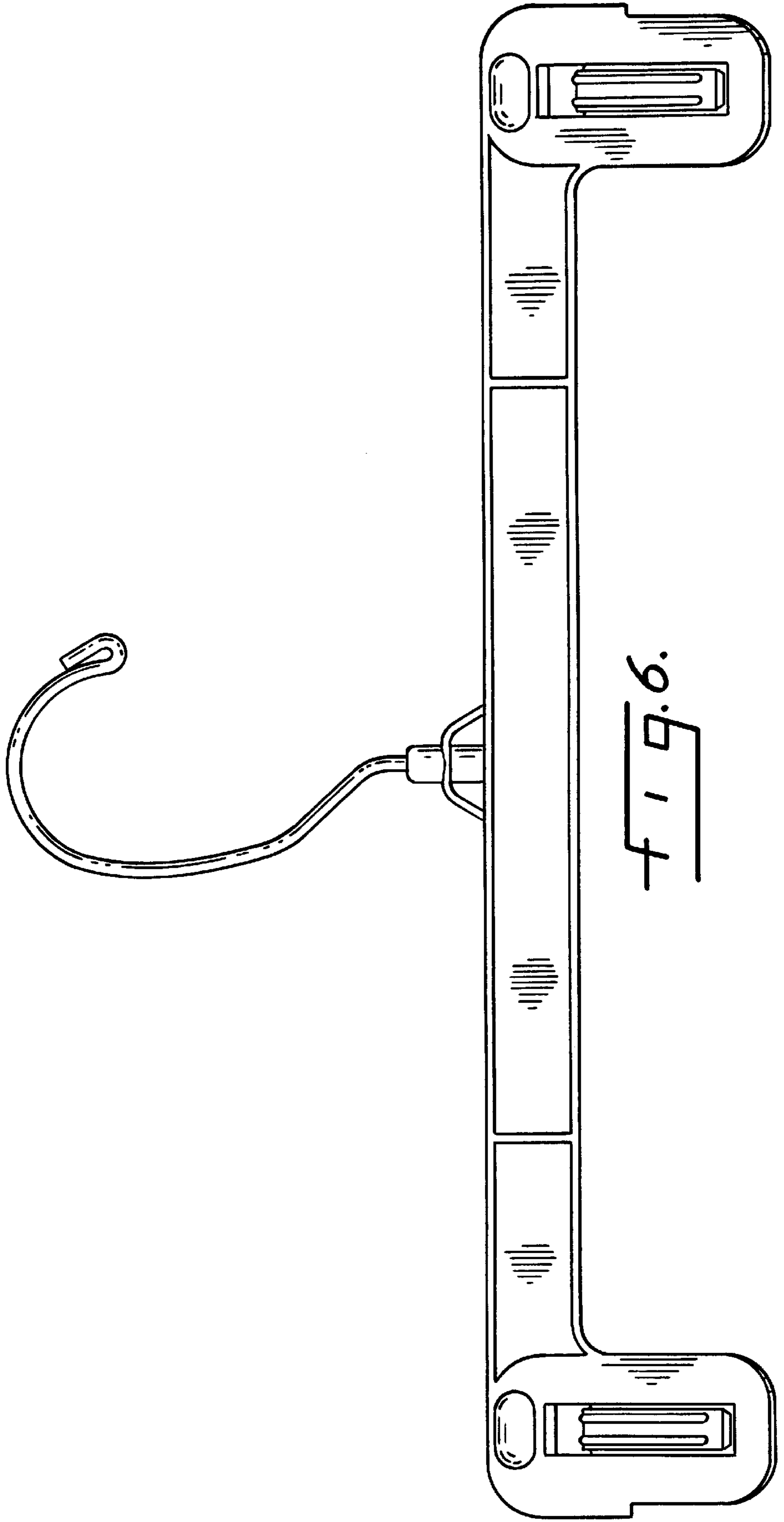


Fig. 6.

Fig. 7.

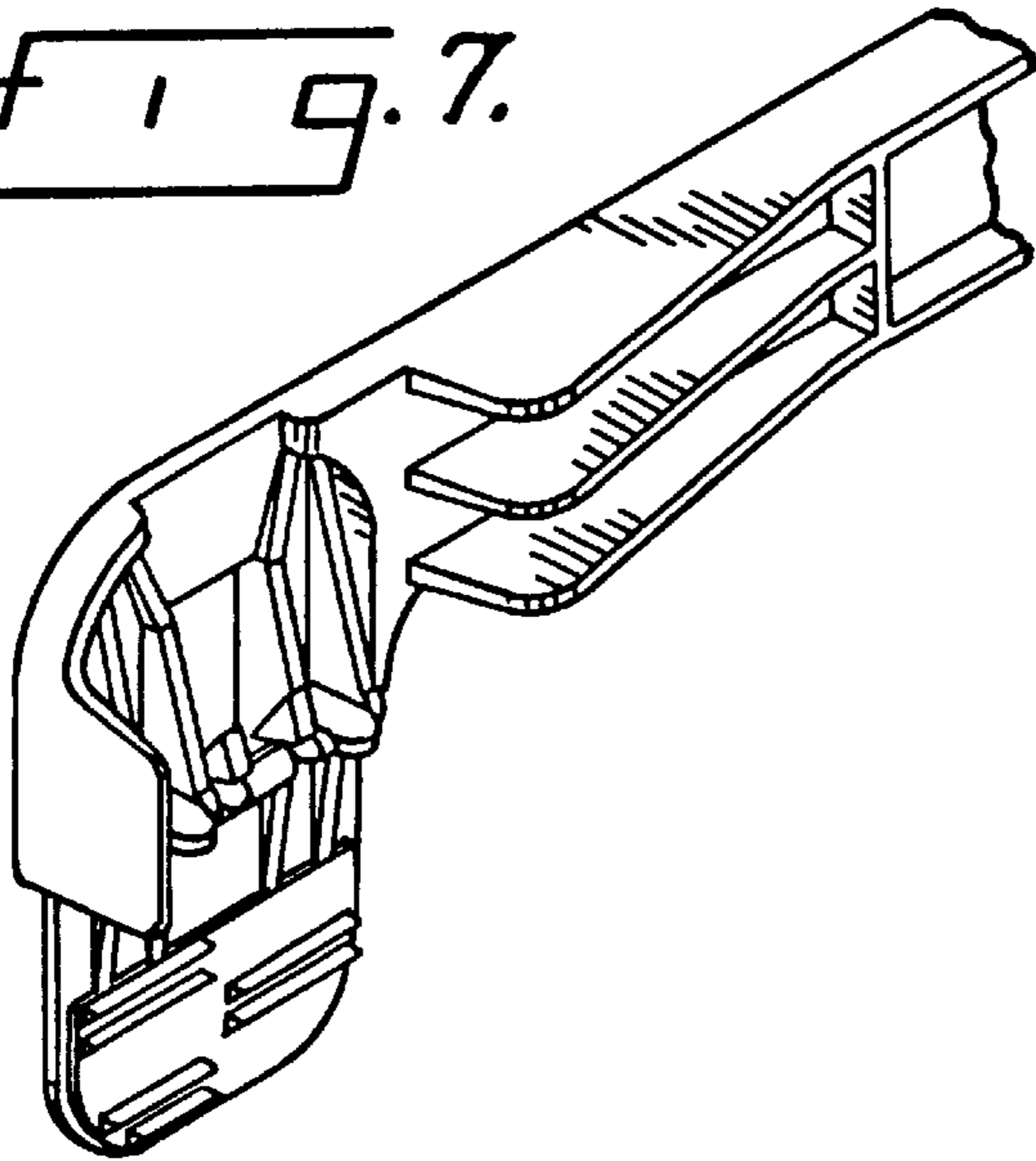


Fig. 8.

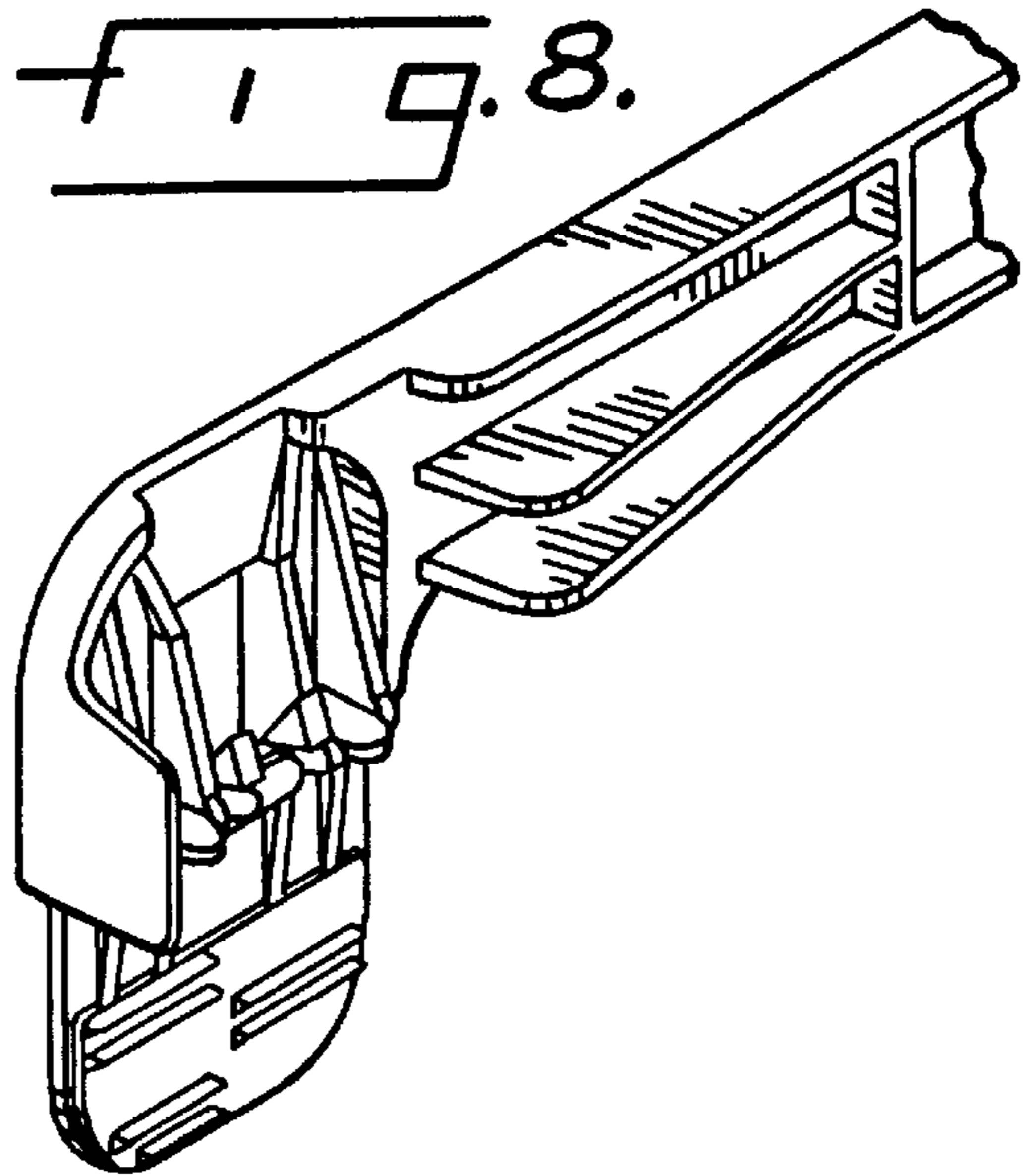


Fig. 9.

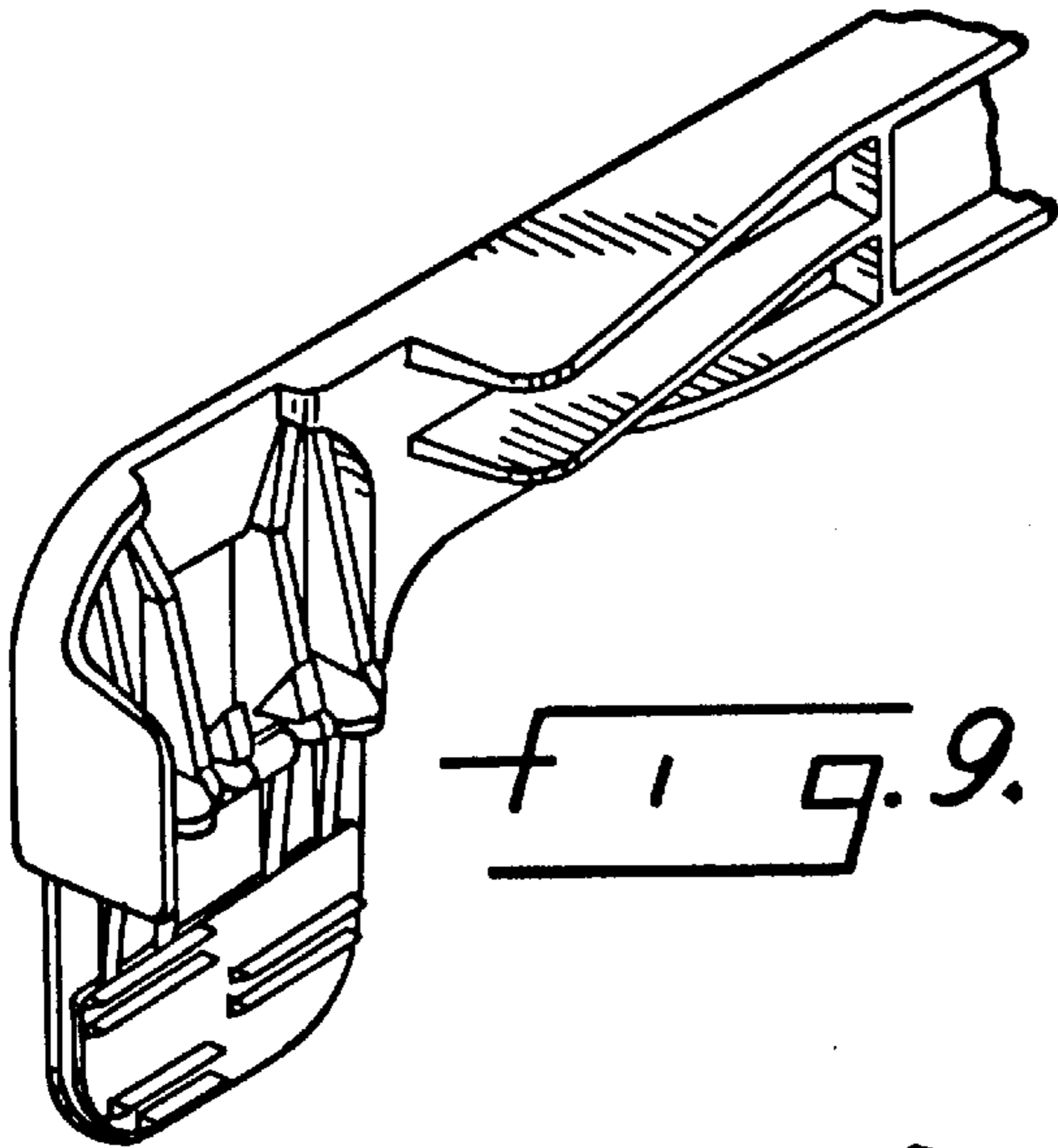


Fig. 10.

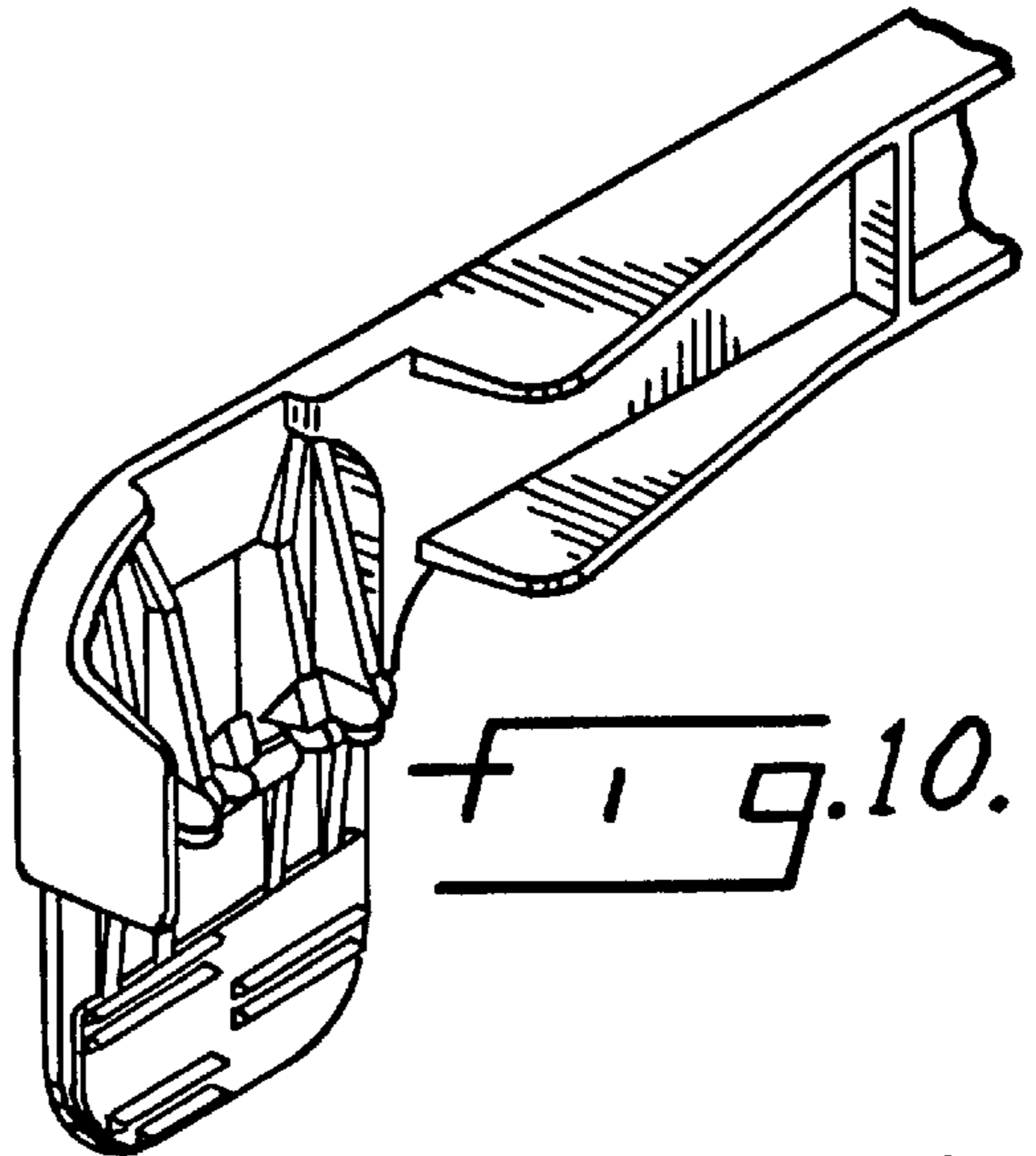


Fig. 11.

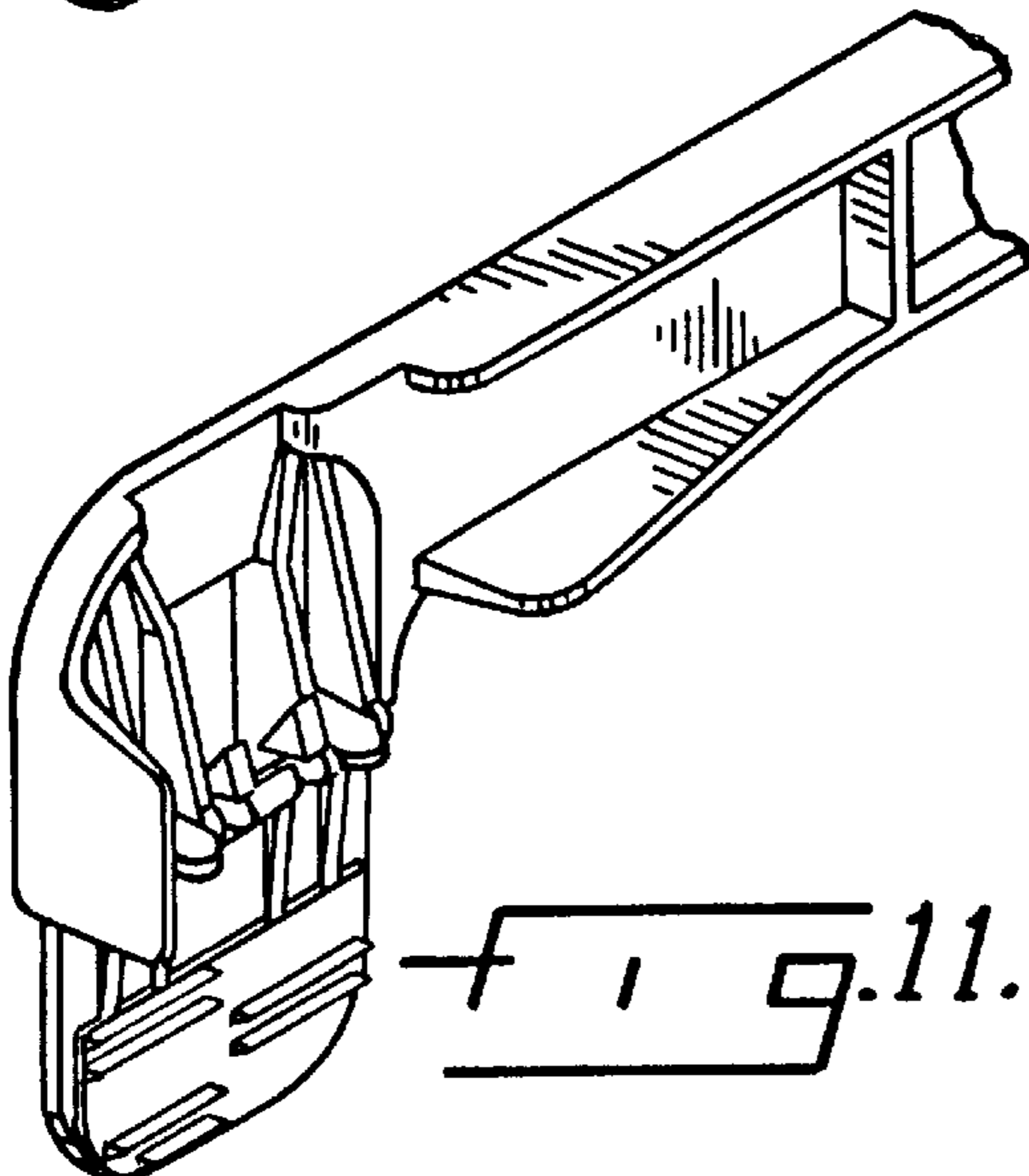


Fig. 12.

