



US00D429896S

United States Patent [19]
Clarke

[11] **Patent Number: Des. 429,896**

[45] **Date of Patent: ** Aug. 29, 2000**

[54] **WALL MOUNTED SHOE DISPLAY**

D. 409,135 5/1999 Davis D21/703
5,582,401 12/1996 Malone et al. .
5,910,058 6/1999 Zheng 473/481

[76] Inventor: **Christopher M. Clarke**, 120 Albion,
Park Ridge, Ill. 60068

[**] Term: **14 Years**

Primary Examiner—B. J. Bullock
Attorney, Agent, or Firm—Long & Long; John D. Long

[21] Appl. No.: **29/102,441**

[57] **CLAIM**

[22] Filed: **Mar. 25, 1999**

The ornamental design for a wall mounted shoe display, as shown and described.

[51] **LOC (7) Cl.** **06-08**

DESCRIPTION

[52] **U.S. Cl.** **D6/316; D6/563; D21/703**

[58] **Field of Search** D6/316, 320, 552,
D6/567, 563; D21/701, 703, 702; 211/34,
35, 87.01; 473/479, 481, 485, 488

FIG. 1 is a perspective view of an wall mounted shoe display showing my design;

FIG. 2 is a front elevational view thereof;

FIG. 3 is a rear elevational view thereof;

FIG. 4 is a right hand side elevational view thereof;

FIG. 5 is top plan view thereof; and

FIG. 6 is bottom plan view thereof; and,

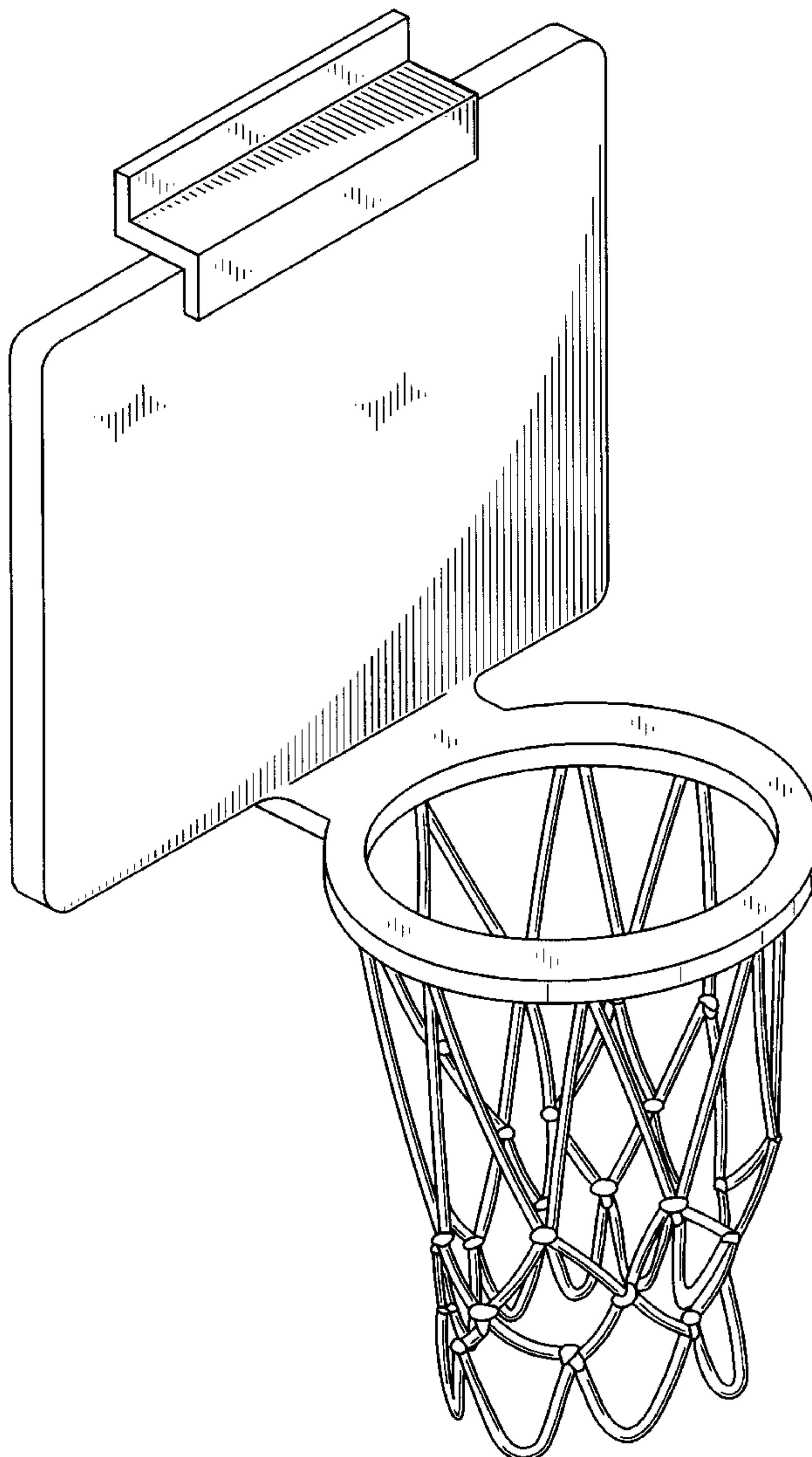
FIG. 7 is a left hand side elevational view thereof.

[56] **References Cited**

U.S. PATENT DOCUMENTS

D. 360,667 7/1995 Liu D21/703
D. 367,690 3/1996 Jimick et al. .
D. 383,348 9/1997 Frankel .
D. 403,357 12/1998 Canale D21/703

1 Claim, 6 Drawing Sheets



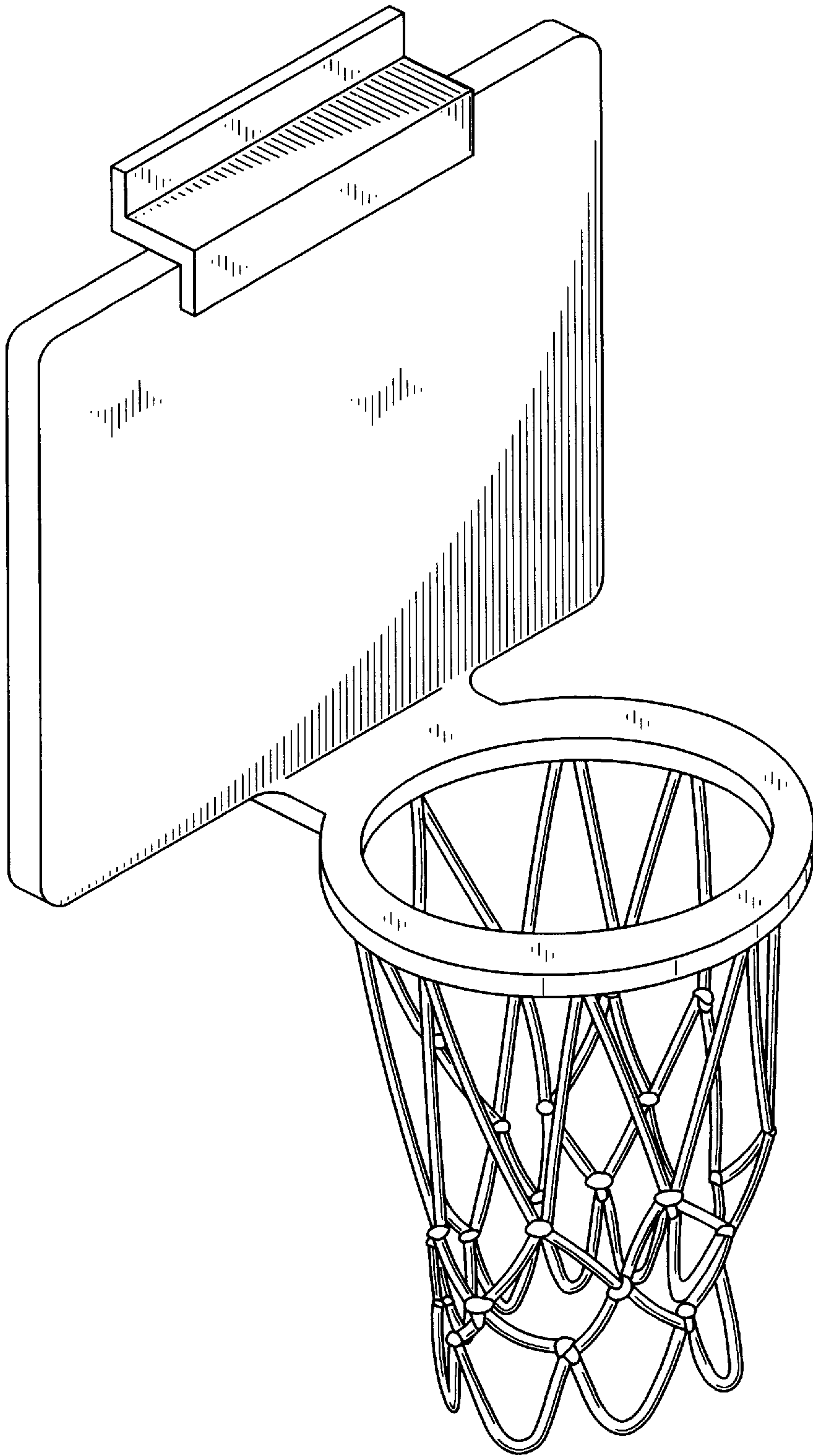


FIG. 1

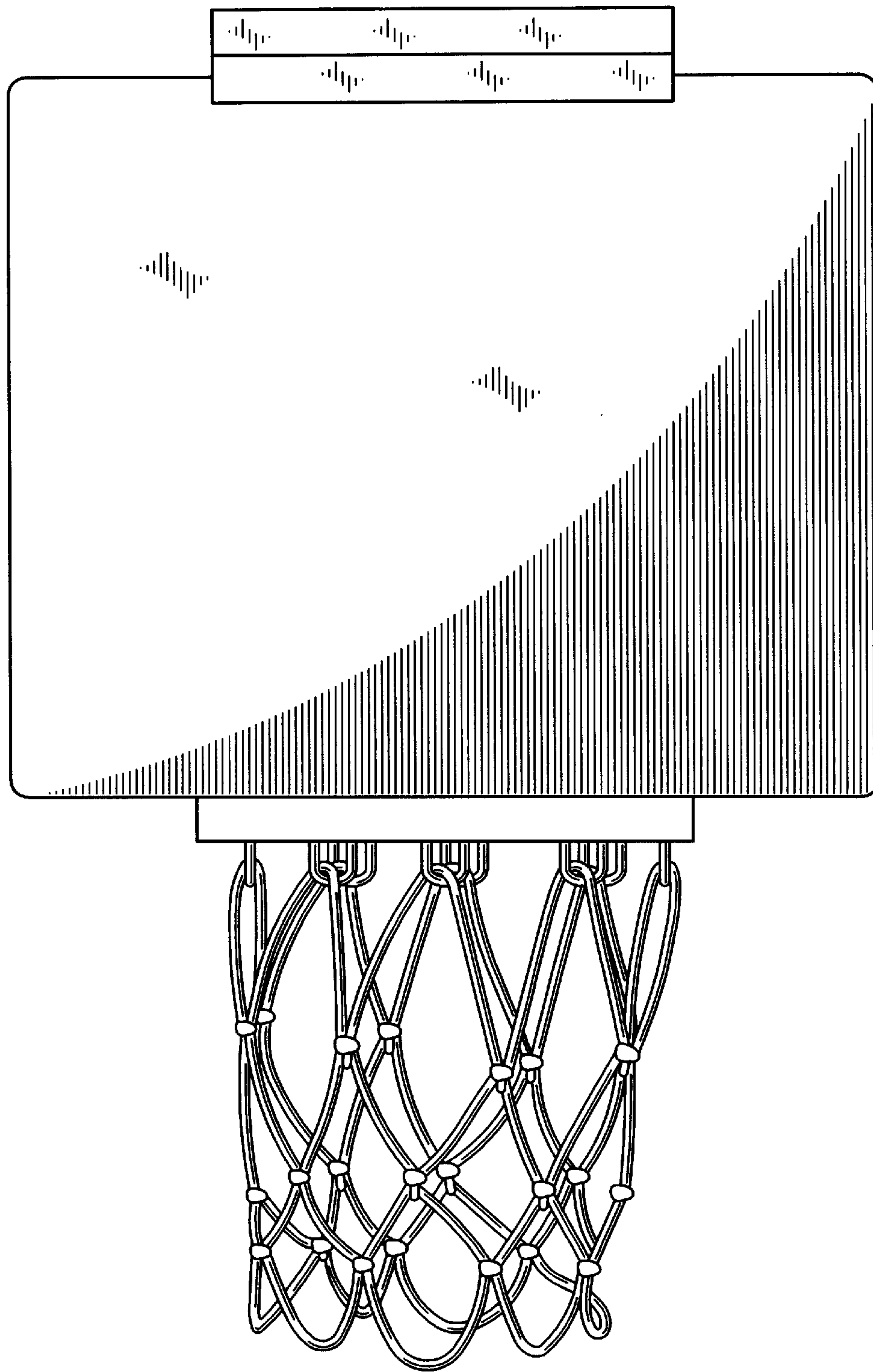


FIG. 2

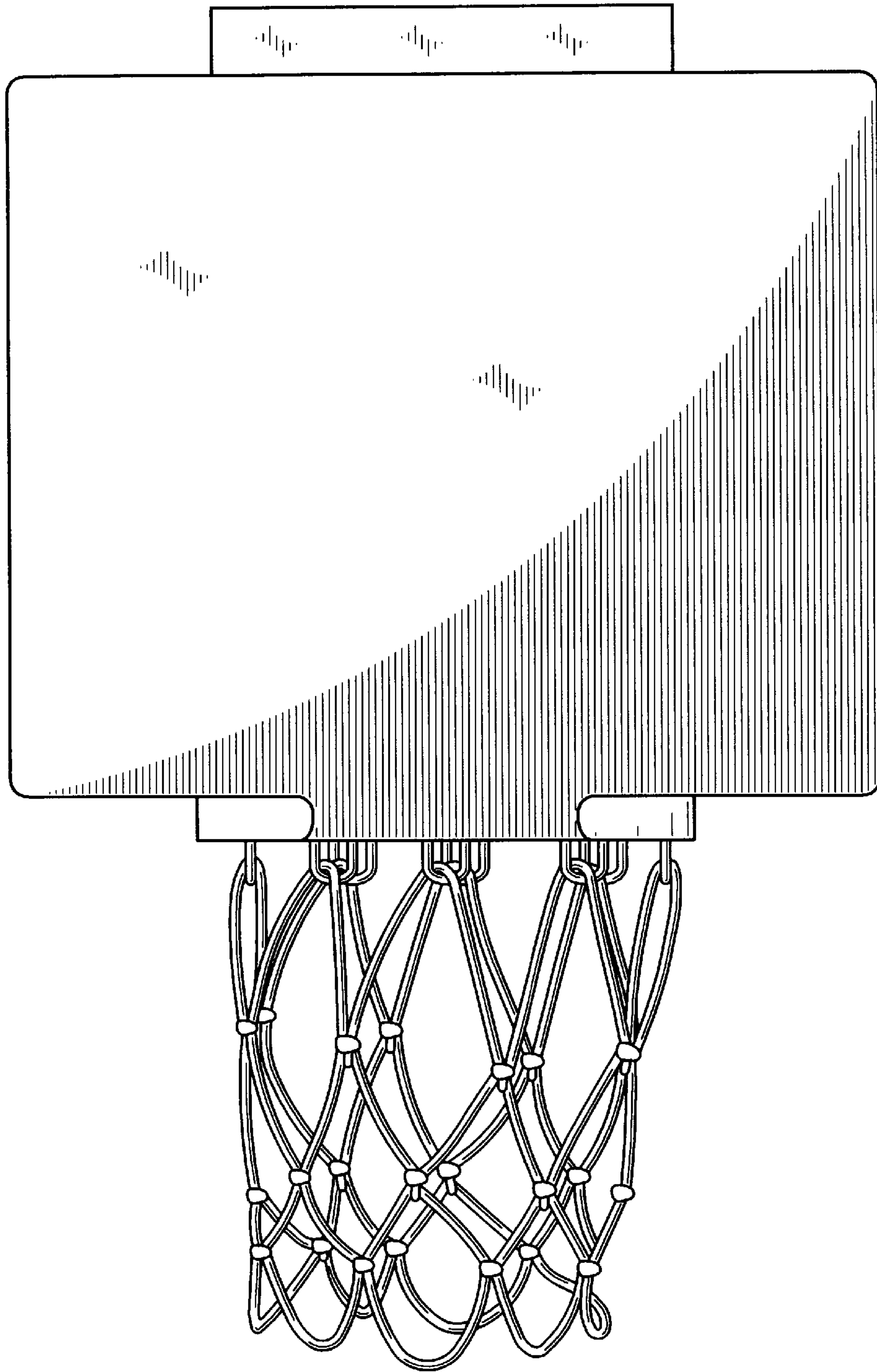


FIG. 3

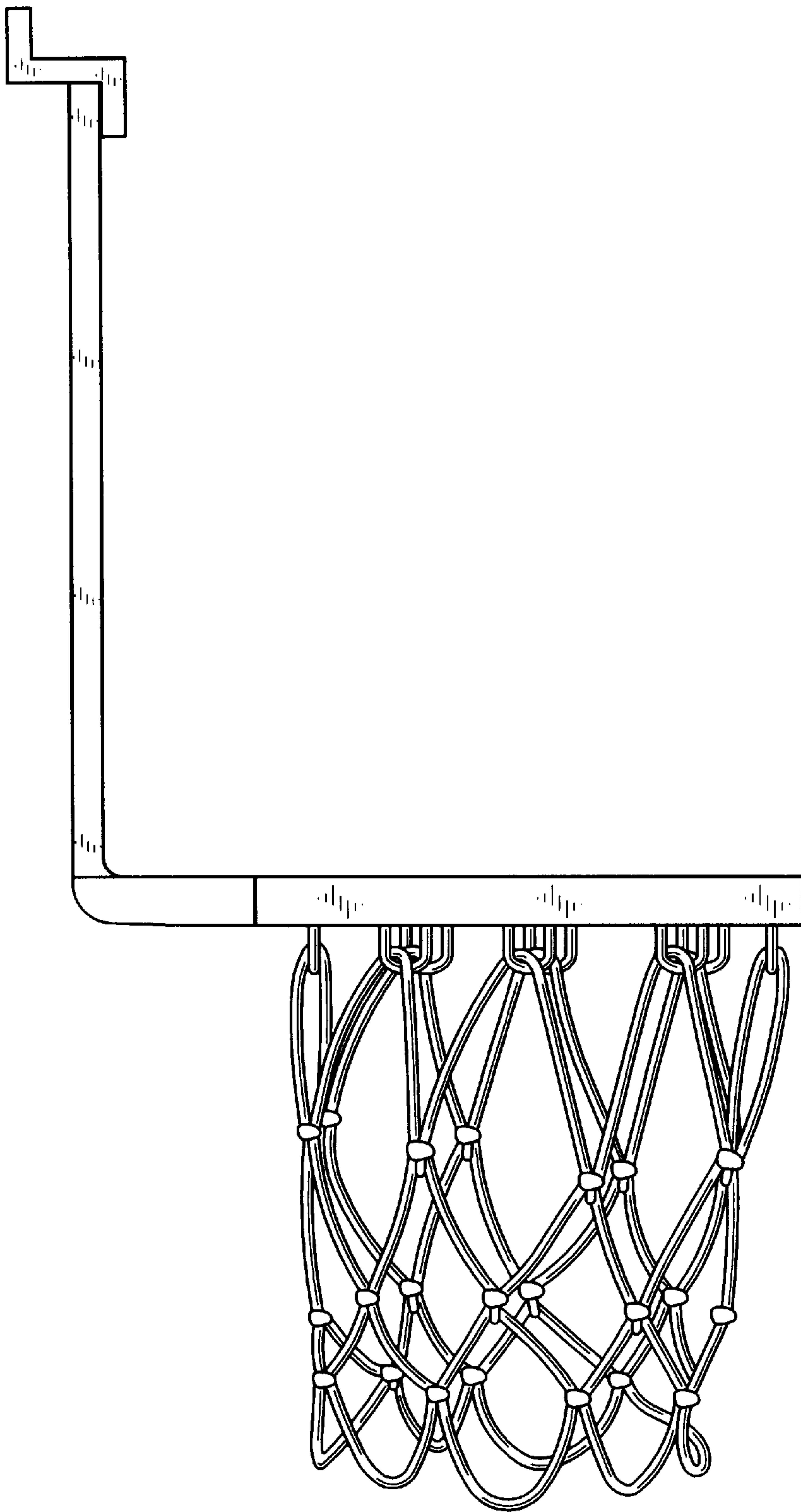


FIG. 4

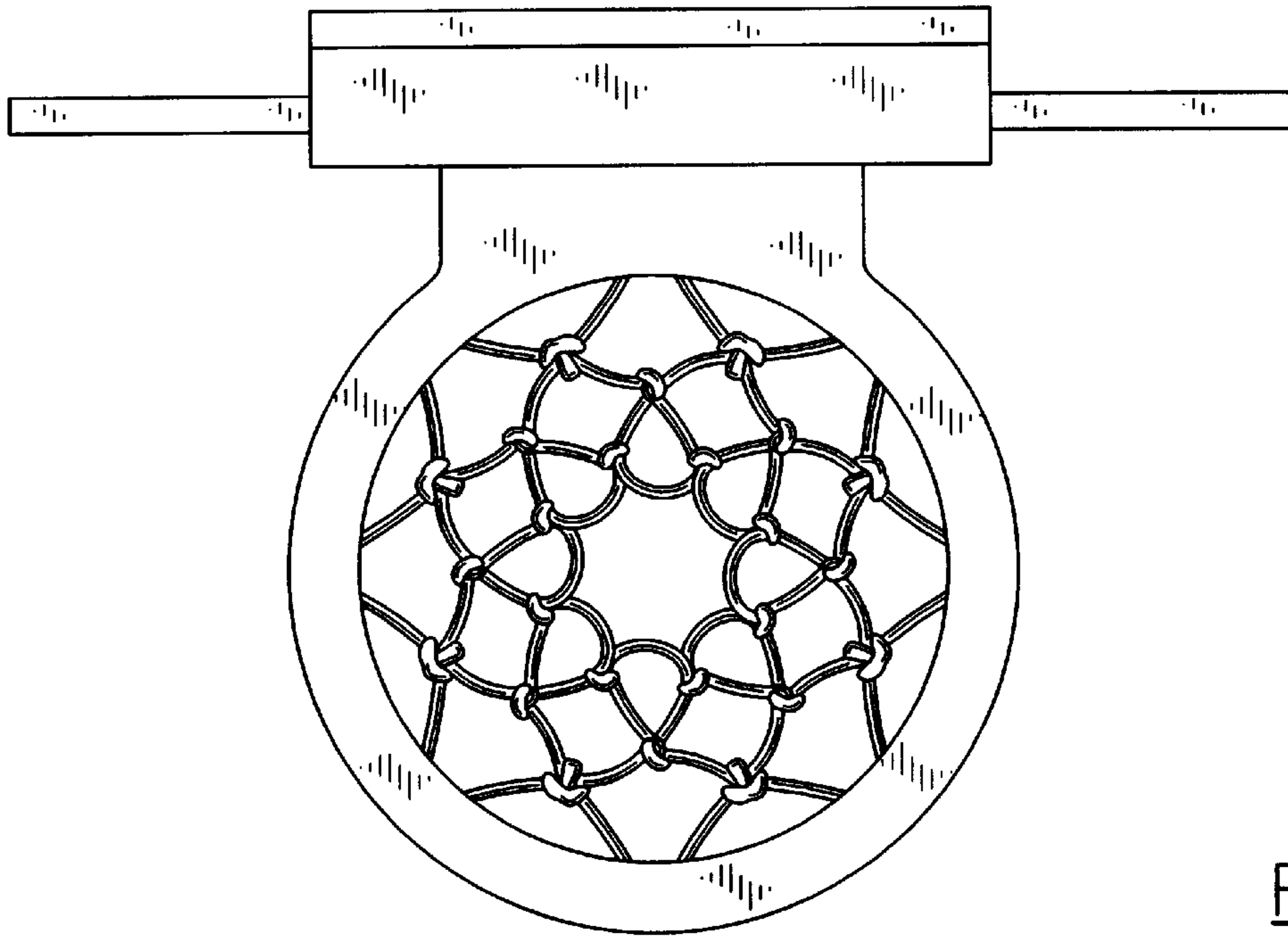


FIG. 5

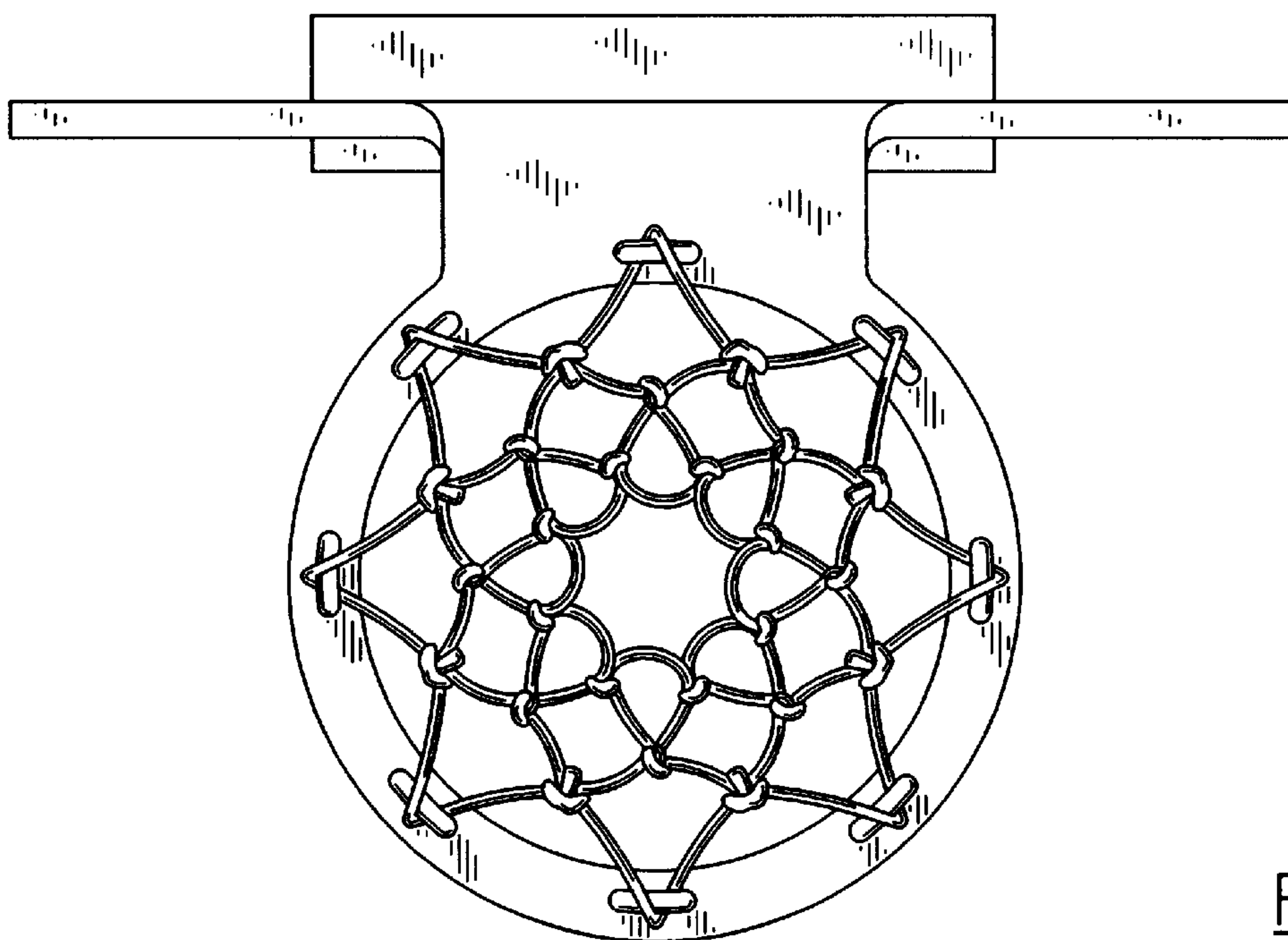


FIG. 6

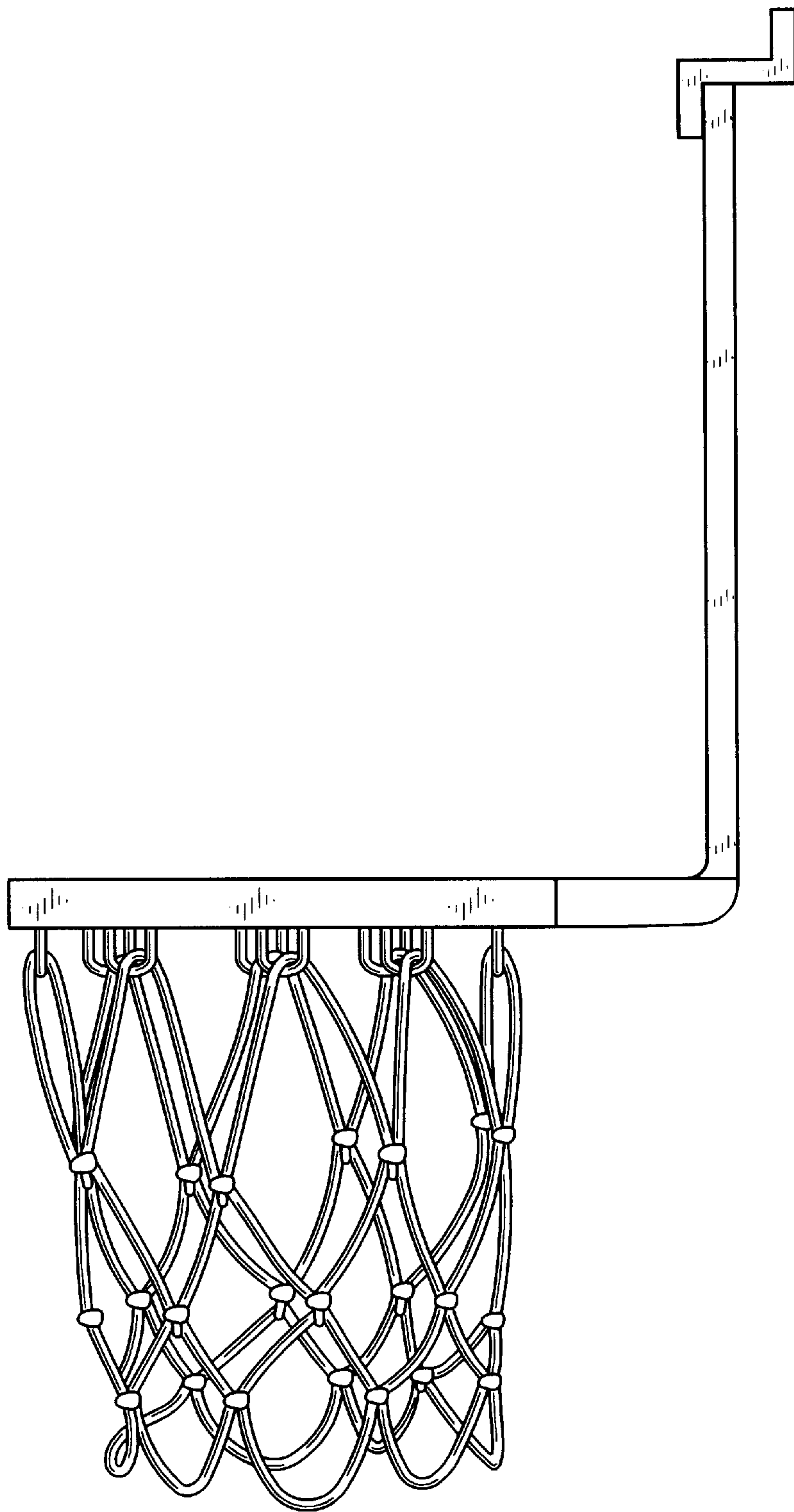


FIG. 7