



US00D429892S

United States Patent [19]

[11] **Patent Number: Des. 429,892**

Wolfenden

[45] **Date of Patent: ** Aug. 29, 2000**

[54] **BROOM HEAD HANDLE CONNECTOR**

1,143,090	6/1915	Stiefel	15/146
1,311,657	7/1919	Levins	15/146
4,371,282	2/1983	Sturm	403/299 X
4,792,256	12/1988	Batchelor	403/296
5,568,668	10/1996	Margolin	15/146 X

[75] Inventor: **Anthony Henry Wolfenden**, Elwood, Australia

[73] Assignee: **Decor Corporation PTY LTD**, Victoria, Australia

[**] Term: **14 Years**

Primary Examiner—Alan P. Douglas
Assistant Examiner—Lavone D. Tabor
Attorney, Agent, or Firm—McDermott, Will & Emery

[21] Appl. No.: **29/105,967**

[57] **CLAIM**

[22] Filed: **Jun. 3, 1999**

The ornamental design for a broom head handle connector, as shown and described.

[30] **Foreign Application Priority Data**

DESCRIPTION

Dec. 18, 1998 [AU] Australia 3994/98

[51] **LOC (7) Cl.** **04-99**

FIG. 1 is a perspective view from above and one side thereof;

[52] **U.S. Cl.** **D4/199; D32/50**

FIG. 2 is a side view thereof;

[58] **Field of Search** D4/132, 135, 199; 15/146, 159.1, 160, 171, 176.1, 176.2

FIG. 3 is a front view thereof;

FIG. 4 is a plan view thereof; and,

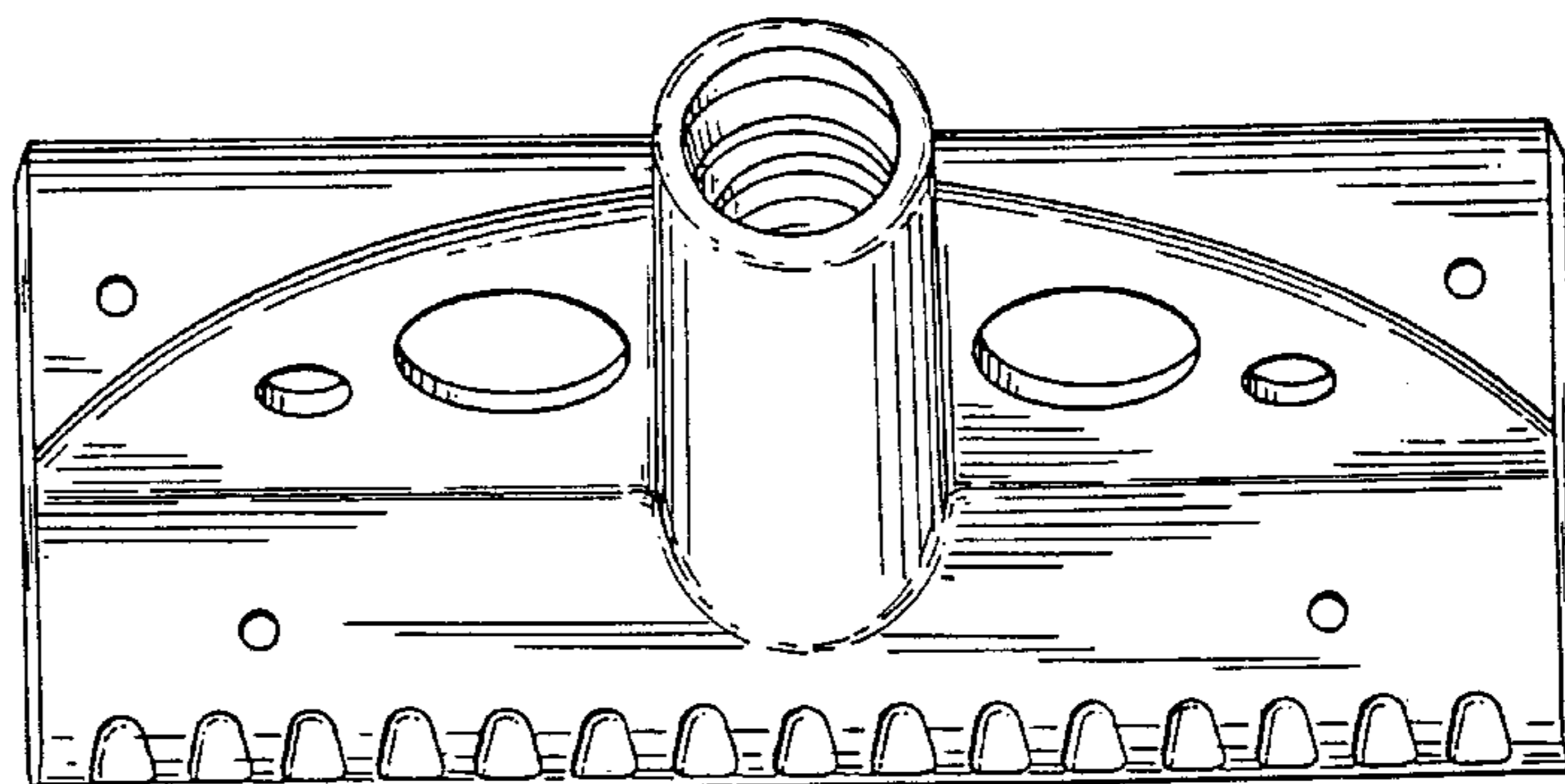
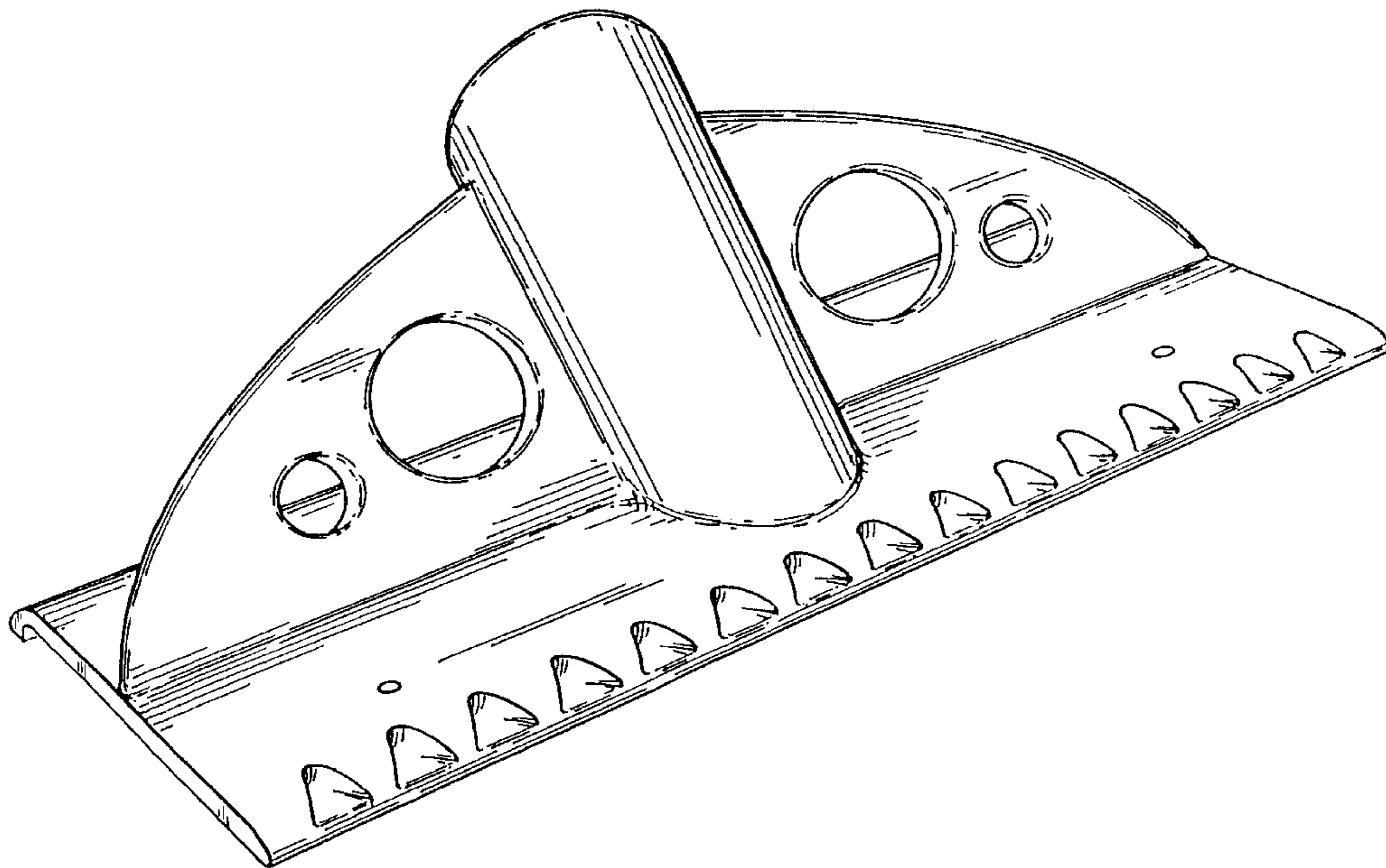
FIG. 5 is a rear view thereof.

[56] **References Cited**

U.S. PATENT DOCUMENTS

D. 371,003 6/1996 Wolfenden D4/135

1 Claim, 2 Drawing Sheets



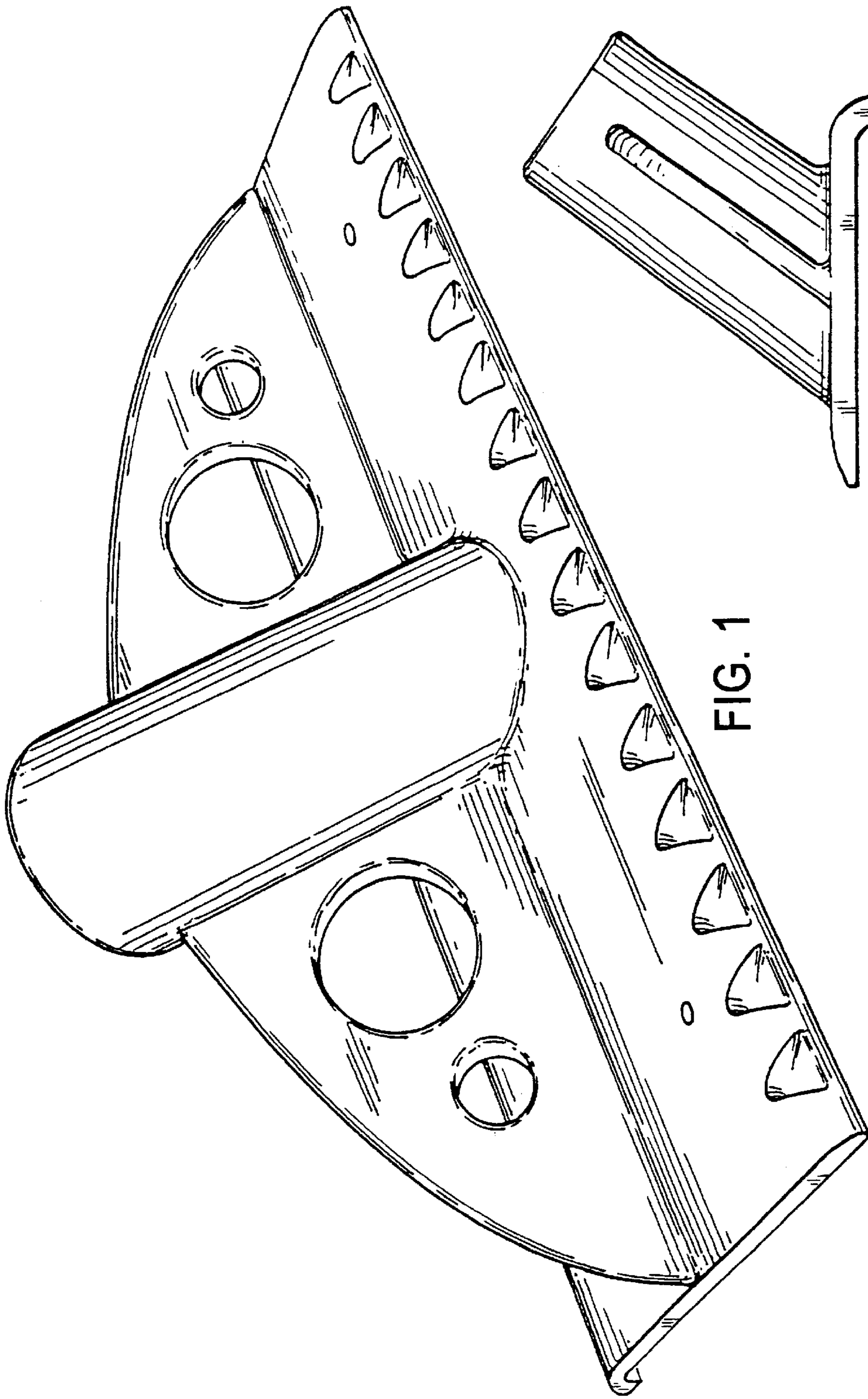


FIG. 1

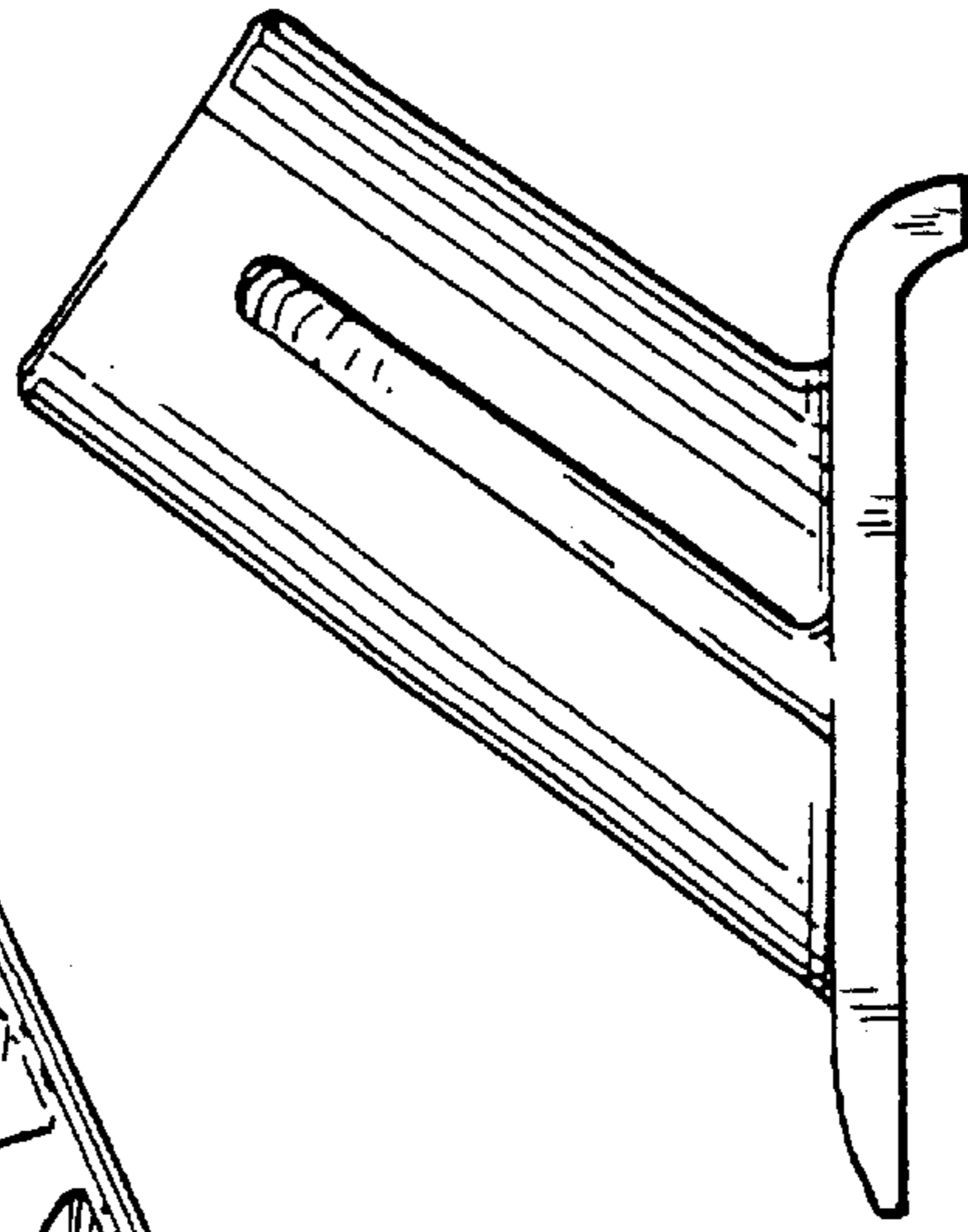


FIG. 2

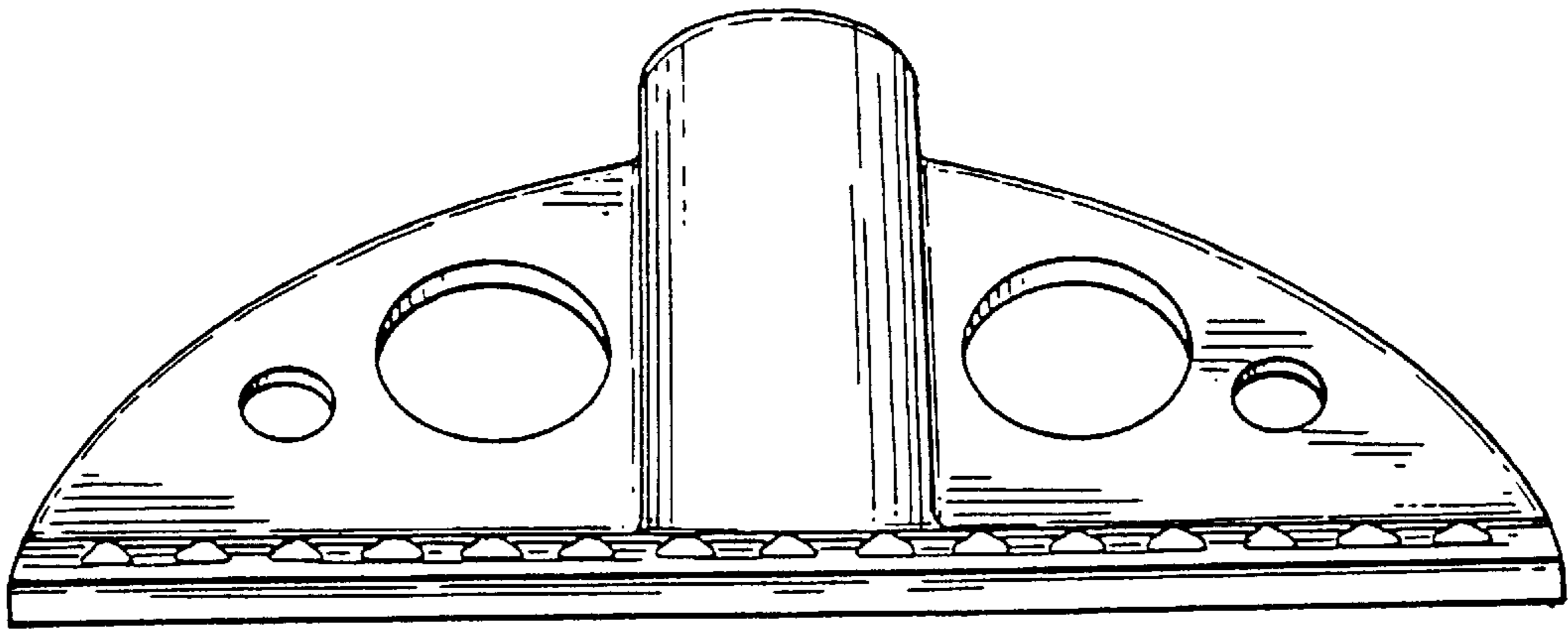


FIG. 3

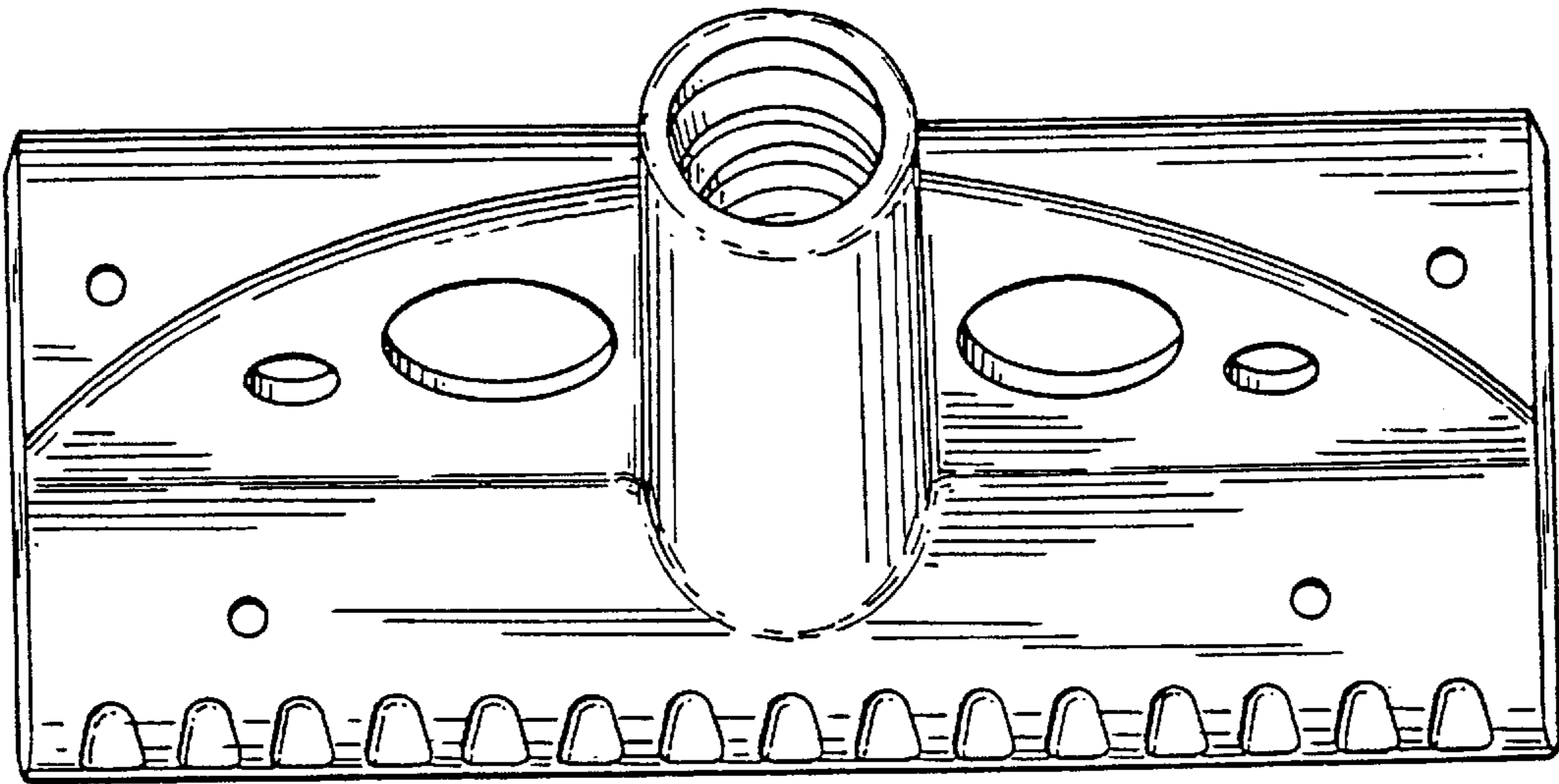


FIG. 4

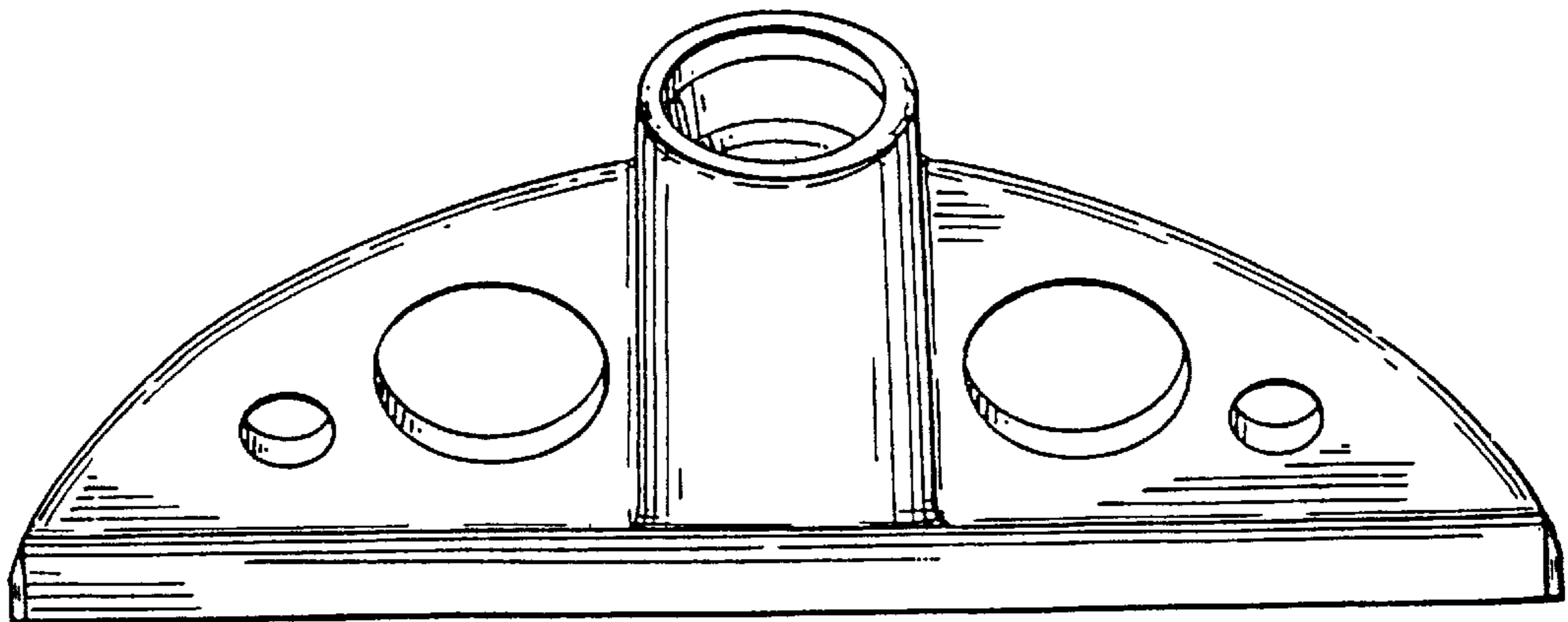


FIG. 5