



US00D429889S

# United States Patent [19] Fielding

[11] **Patent Number: Des. 429,889**

[45] **Date of Patent: \*\* Aug. 29, 2000**

[54] **BARBECUE BRUSH**

[76] Inventor: **Douglas R. Fielding**, 2149 Stuart St., Berkeley, Calif. 94705

[\*\*] Term: **14 Years**

[21] Appl. No.: **29/114,099**

[22] Filed: **Nov. 17, 1999**

[51] **LOC (7) Cl. .... 04-01**

[52] **U.S. Cl. .... D4/118; D32/42**

[58] **Field of Search .... D4/118, 132, 134, D4/138; D32/42, 49; 15/143.1, 159.1, 160, 186, 187, 105, 111, 236.01, 236.07, 236.08, 236.09**

[56] **References Cited**

**U.S. PATENT DOCUMENTS**

- D. 307,077 4/1990 Bryant ..... D4/138
- D. 358,491 5/1995 Hoagland ..... D4/138
- D. 378,959 4/1997 Gringer ..... D4/132
- D. 417,324 11/1999 Faris ..... D23/42 X

**OTHER PUBLICATIONS**

Fuller Brush Catalog, Grill Brush—Item No. 11945, p. 44, ©1985.  
Home Trends, Grill Brush—Item No. SFB121, back page, ©1997.

*Primary Examiner*—Alan P. Douglas  
*Assistant Examiner*—Lavone Tabor  
*Attorney, Agent, or Firm*—Owen, Wickersham & Erickson, P.C.

[57] **CLAIM**

The ornamental design for a barbecue brush, as shown and described.

**DESCRIPTION**

FIG. 1 is an upper right rear view in perspective of a barbecue brush embodying my new design;

FIG. 2 is a front elevational view thereof;

FIG. 3 is a right side elevational view thereof;

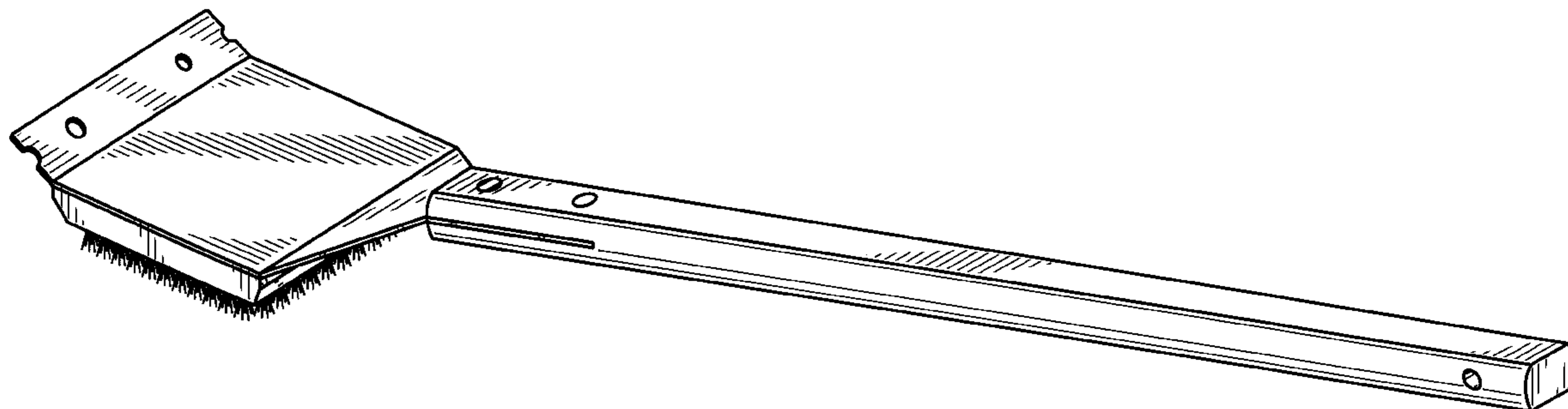
FIG. 4 is a rear elevational view thereof;

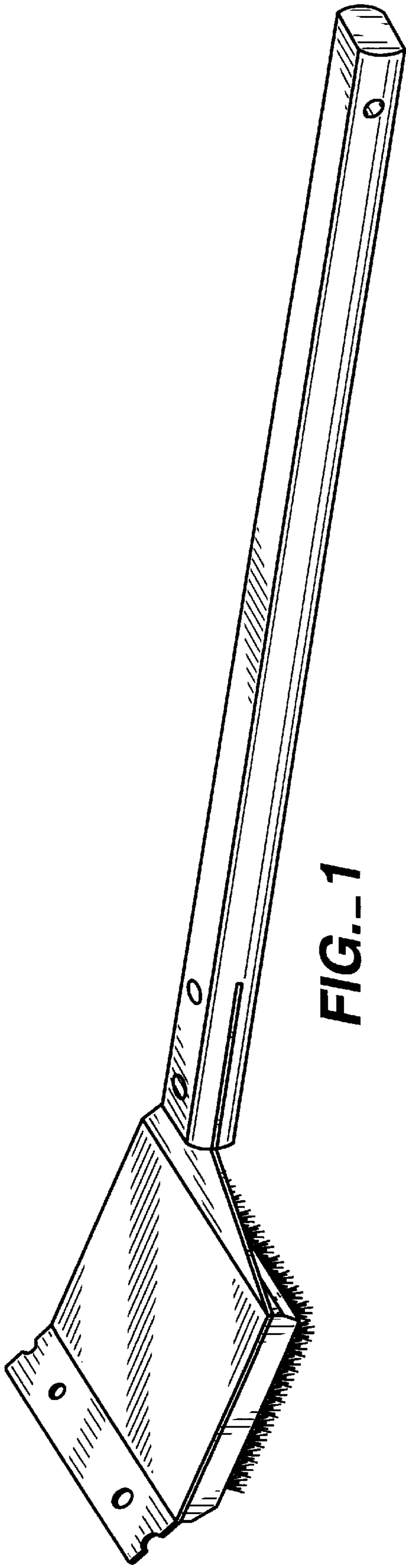
FIG. 5 is a left side elevational view thereof;

FIG. 6 is a top plan view thereof; and,

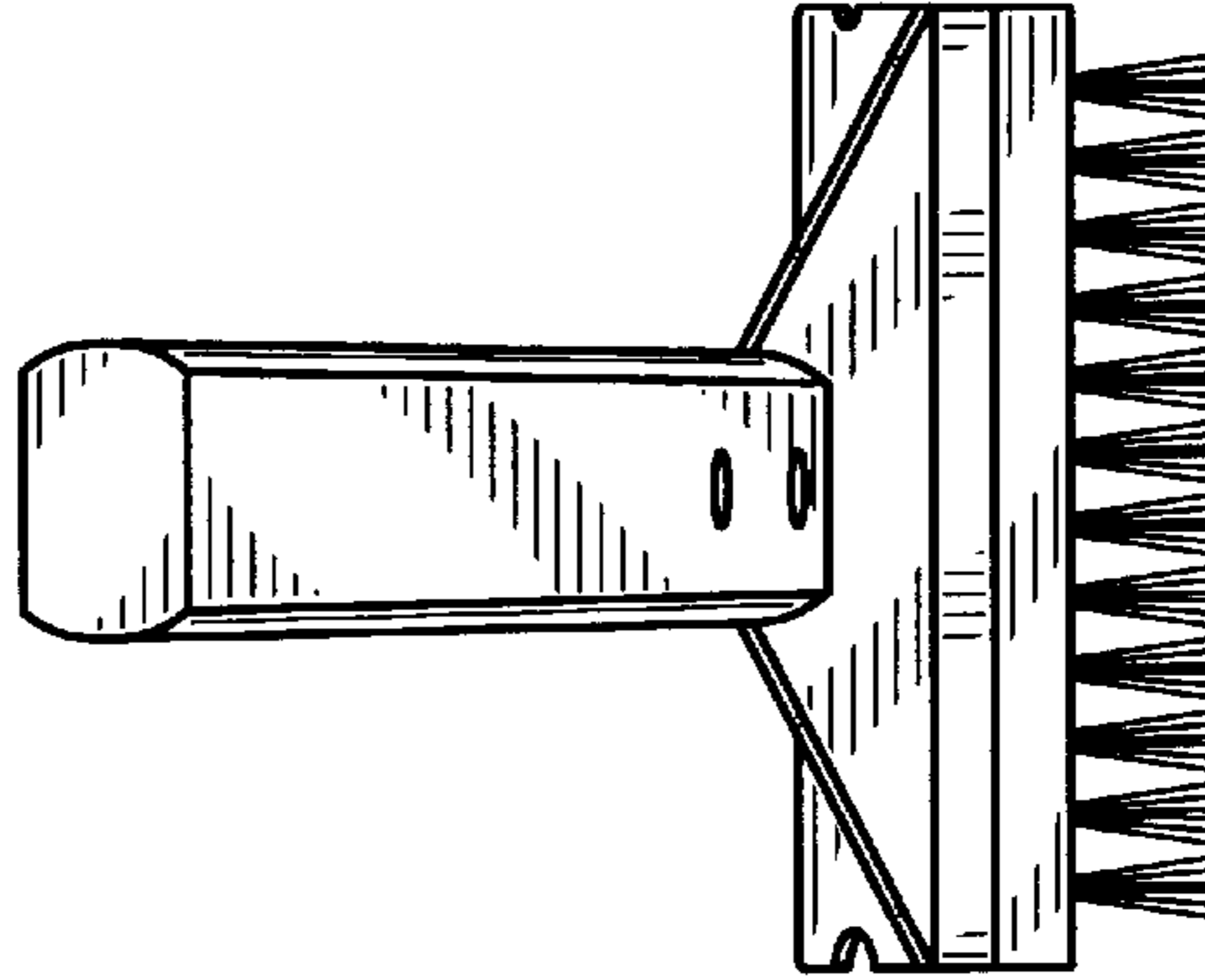
FIG. 7 is a plan view as seen from beneath FIG. 6.

**1 Claim, 3 Drawing Sheets**

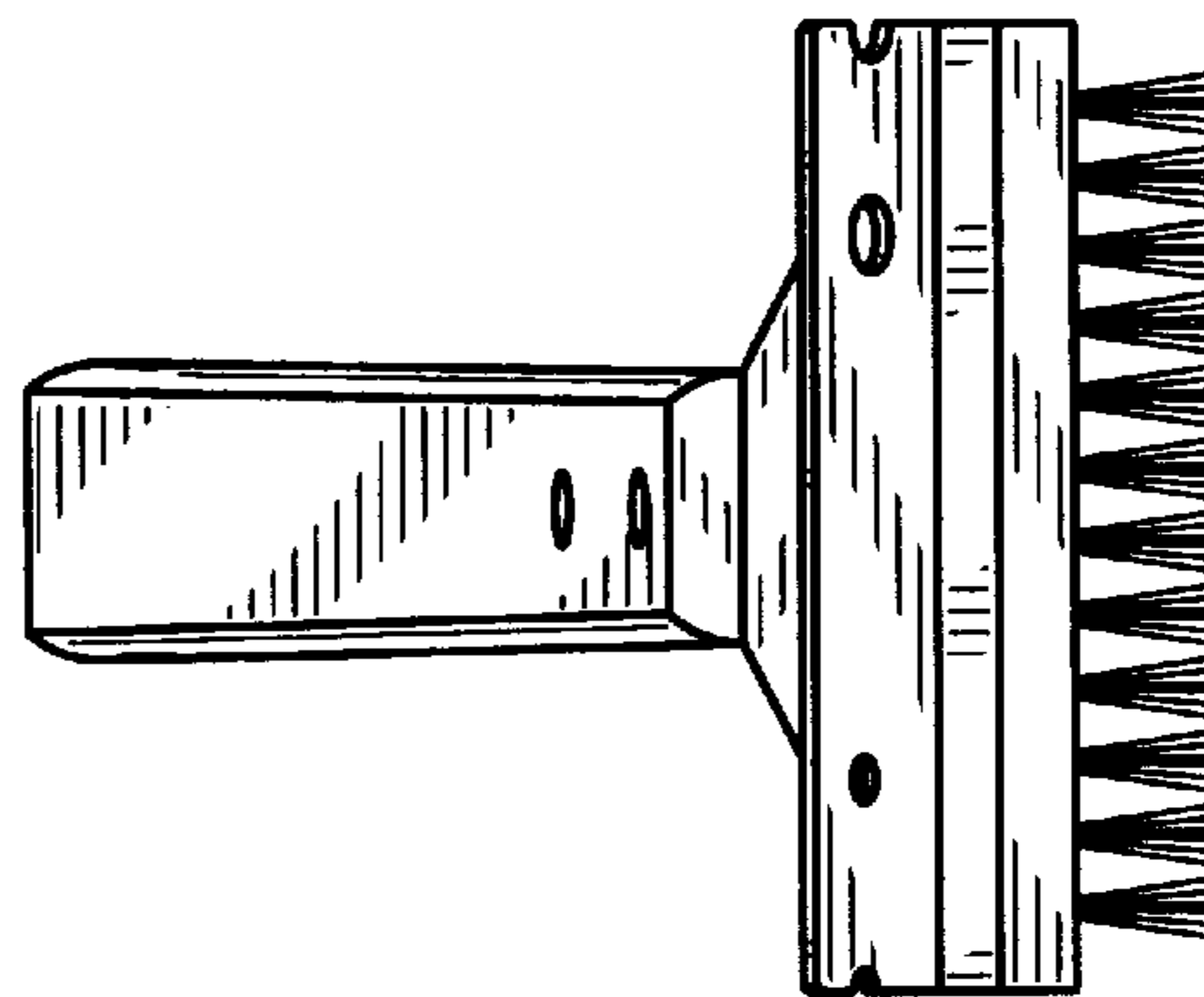




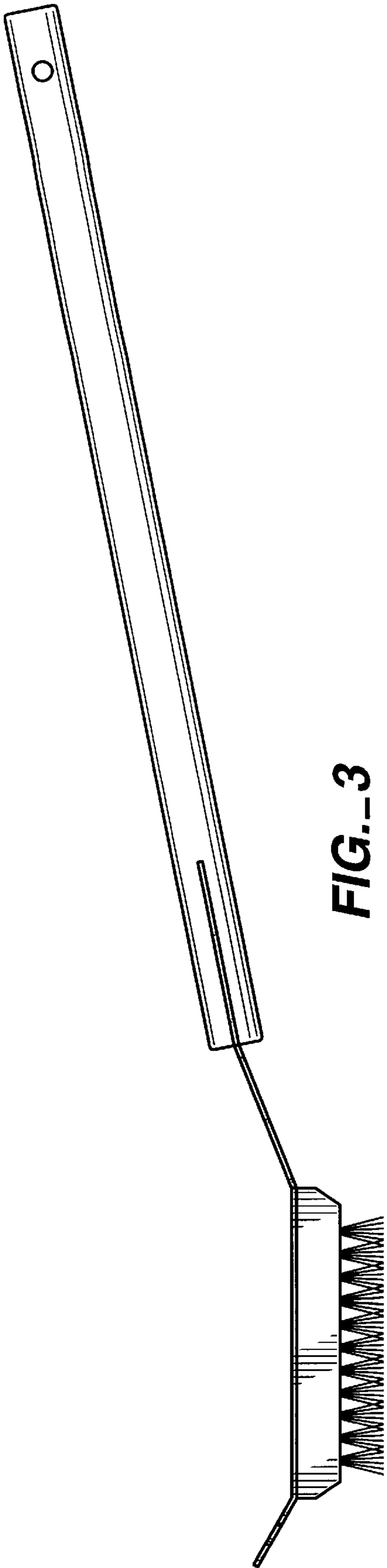
**FIG. 1**



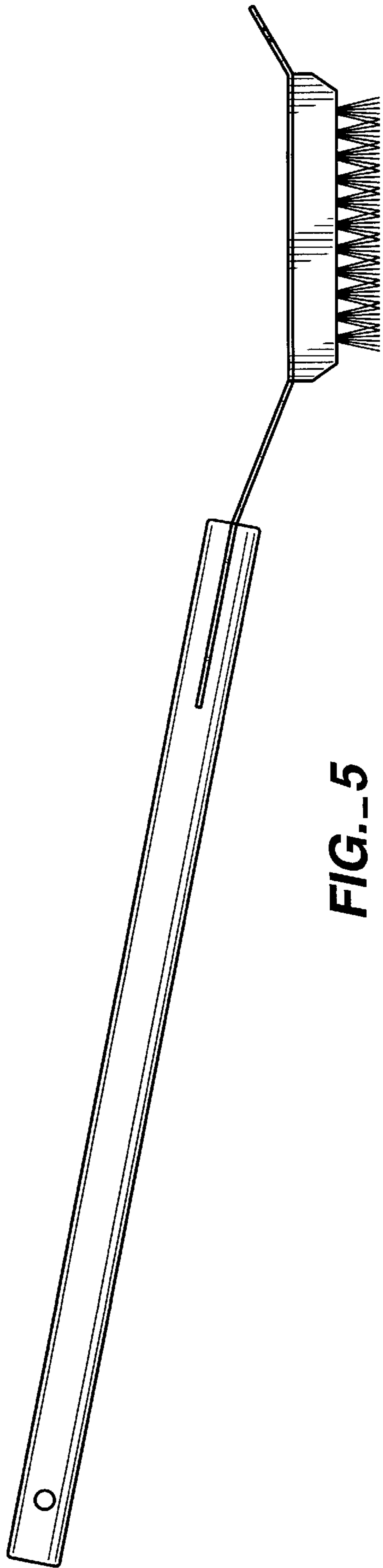
**FIG. 4**



**FIG. 2**



**FIG. 3**



**FIG. 5**

