



US00D429884S

# United States Patent [19]

[11] Patent Number: Des. 429,884

Zurwelle et al.

[45] Date of Patent: \*\* Aug. 29, 2000

[54] **KIT BOX**

[75] Inventors: **Donald W. Zurwelle**, Lutherville, Md.;  
**Meyric K. Rogers**, Lancaster, Pa.;  
**Bruce M. Waters**, Lancaster, Pa.;  
**Bradford Hollinger**, Lancaster, Pa.;  
**Max Kessler**, Ephrata, Pa.

[73] Assignee: **Black & Decker Inc.**, Newark, Del.

[\*\*] Term: **14 Years**

[21] Appl. No.: **29/103,174**

[22] Filed: **Feb. 17, 1999**

### Related U.S. Application Data

[63] Continuation of application No. 29/065,755, Nov. 25, 1996, which is a continuation of application No. 29/055,143, May 30, 1996, abandoned.

[51] **LOC (7) Cl.** ..... **03-01**  
[52] **U.S. Cl.** ..... **D3/281; D3/276; D3/282**  
[58] **Field of Search** ..... **D3/273, 276, 281, D3/282, 291, 905; 190/100, 110, 111, 112, 113; 206/349, 372, 373, 376, 379**

[56] **References Cited**

#### U.S. PATENT DOCUMENTS

- D. 62,042 3/1923 Yarder .
- D. 194,339 1/1963 Harty et al. .
- D. 205,579 8/1966 Schurman .
- D. 220,151 3/1971 Waters .
- D. 220,233 3/1971 Schurman .
- D. 221,317 7/1971 Muller .
- D. 222,012 9/1971 Harris .
- D. 236,291 8/1975 Schurman .
- D. 257,191 10/1980 Wilcox .
- D. 260,454 9/1981 Pepicelli et al. .
- D. 260,456 9/1981 Davies et al. .
- D. 275,822 10/1984 Gatland ..... D3/282
- D. 286,231 10/1986 Werk .
- D. 294,776 3/1988 Gander et al. .
- D. 300,036 2/1989 Mariol .
- D. 306,936 4/1990 McMillan et al. .
- D. 309,143 7/1990 Yang .
- D. 314,667 2/1991 Hussain .
- D. 321,433 11/1991 Dickinson .
- D. 321,985 12/1991 Ward .

- D. 324,308 3/1992 Chen ..... D3/282
- D. 328,189 7/1992 Hillinger .
- D. 331,836 12/1992 Newby, Sr. .
- D. 346,825 5/1994 Ros .
- D. 347,731 6/1994 Hayakawa .
- D. 353,048 12/1994 VanSkiver et al. .
- D. 353,265 12/1994 Newby, Sr. .
- D. 358,709 5/1995 Chang .
- D. 360,757 8/1995 Snetting et al. .... D3/276
- D. 364,957 12/1995 Turbowitz .
- D. 374,771 10/1996 Guegan et al. .
- D. 377,714 2/1997 Fenton .
- D. 379,715 6/1997 Yemini .
- D. 382,115 8/1997 Chang .
- 3,730,576 5/1973 Schurman .
- 3,933,381 1/1976 Schurman .
- 4,340,139 7/1982 Wilcox et al. .
- 4,773,536 9/1988 Rau .
- 4,927,021 5/1990 Taylor .
- 4,998,616 3/1991 Hillinger ..... 206/372
- 5,533,843 7/1996 Chung .

#### FOREIGN PATENT DOCUMENTS

- M8804317 8/1990 Germany .
- M8906945 12/1990 Germany .
- M9004761 4/1991 Germany .
- M9204522 12/1992 Germany .
- DU 022097 2/1992 WIPO .
- DM 025421 3/1993 WIPO .
- DU 030317 8/1994 WIPO .

*Primary Examiner*—Philip S. Hyder  
*Attorney, Agent, or Firm*—Dennis A. Dearing; John D. Del Pont; Bruce S. Shapiro

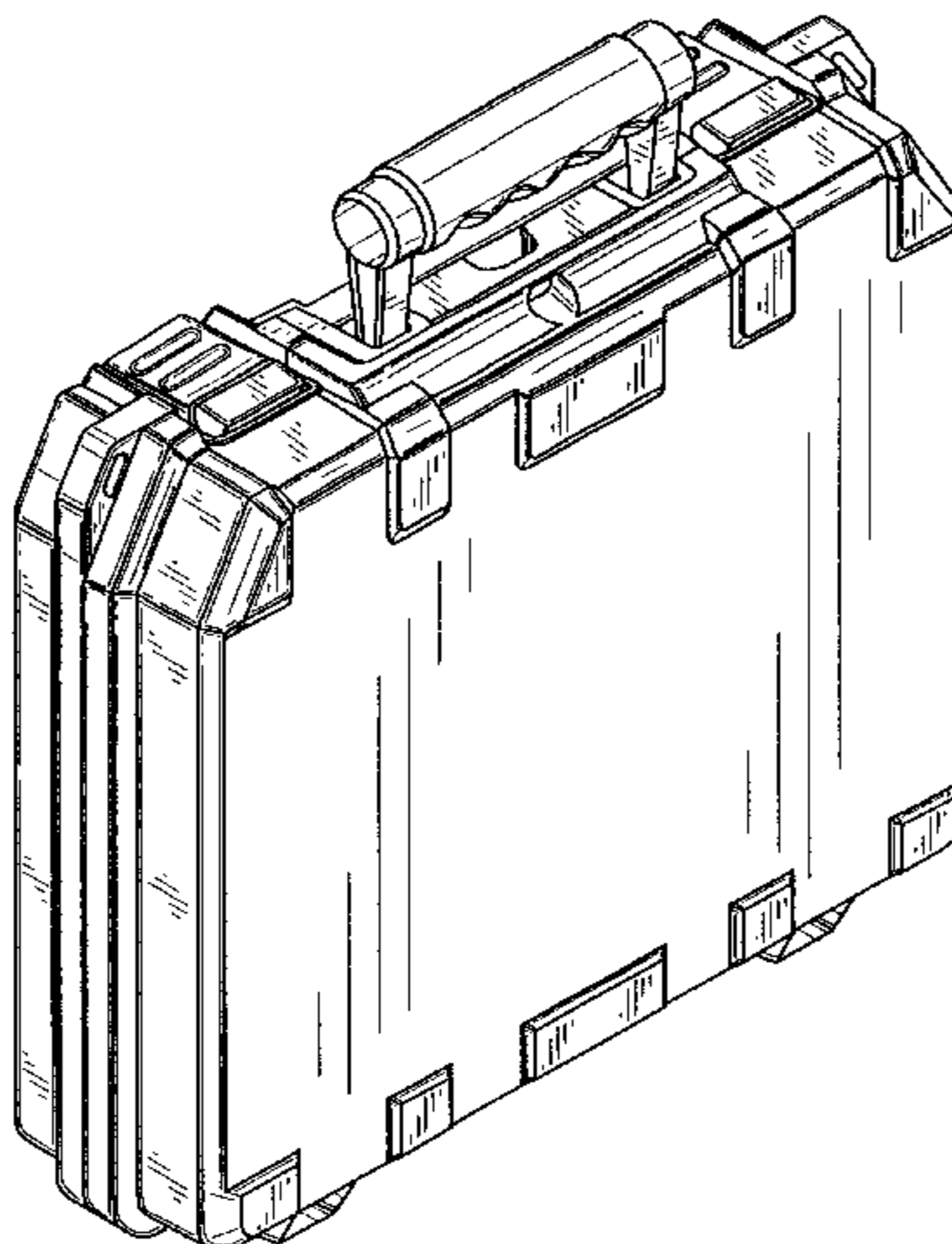
[57] **CLAIM**

The ornamental design for a kit box, as shown and described.

#### DESCRIPTION

FIG. 1 is a front perspective view of a kit box showing our new design.  
FIG. 2 is a front elevational view thereof.  
FIG. 3 is a rear elevational view thereof.  
FIG. 4 is a left side elevational view thereof.  
FIG. 5 is a right side elevational view thereof.  
FIG. 6 is a top plan view thereof; and,  
FIG. 7 is a bottom plan view thereof.

**1 Claim, 5 Drawing Sheets**



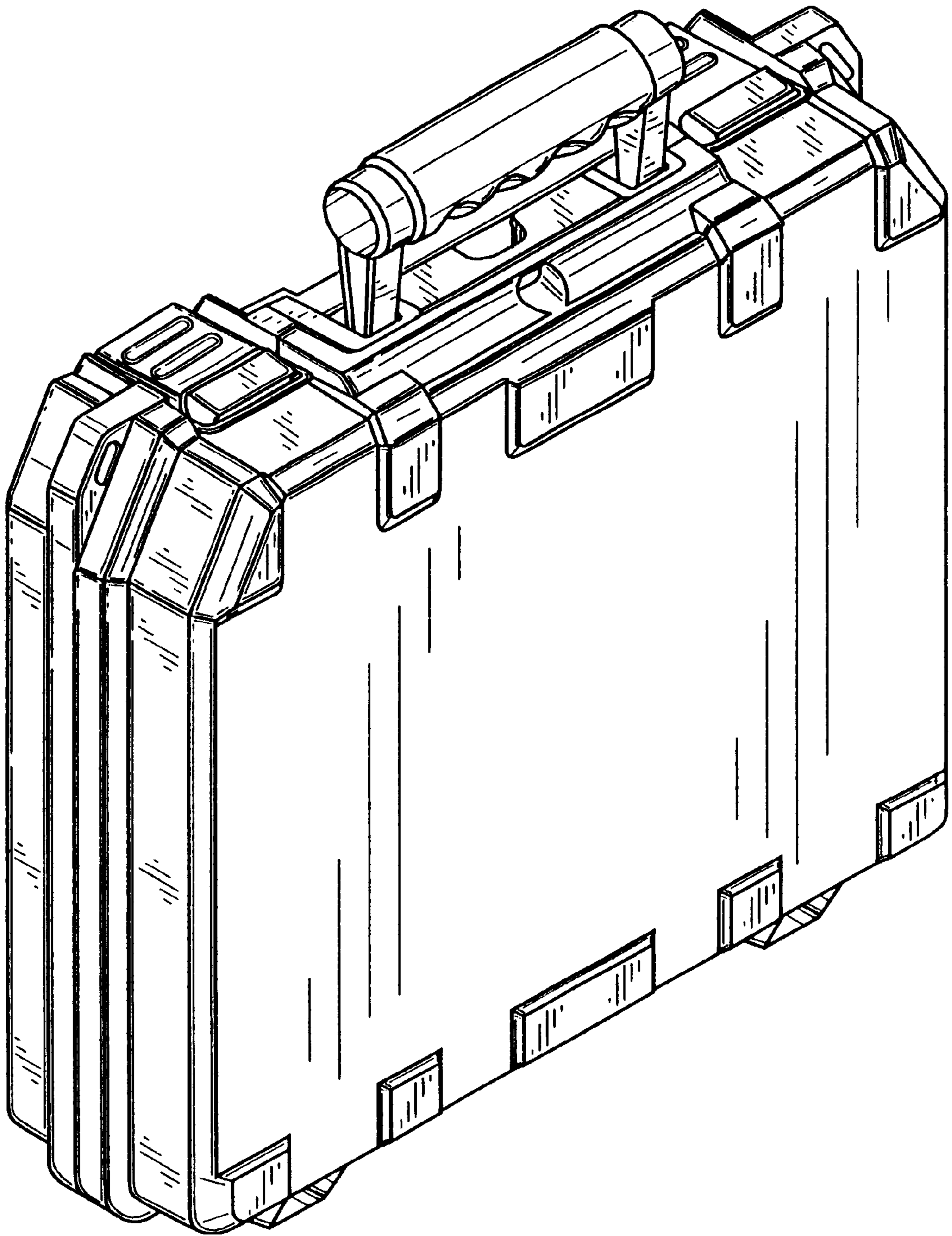


FIG. 1

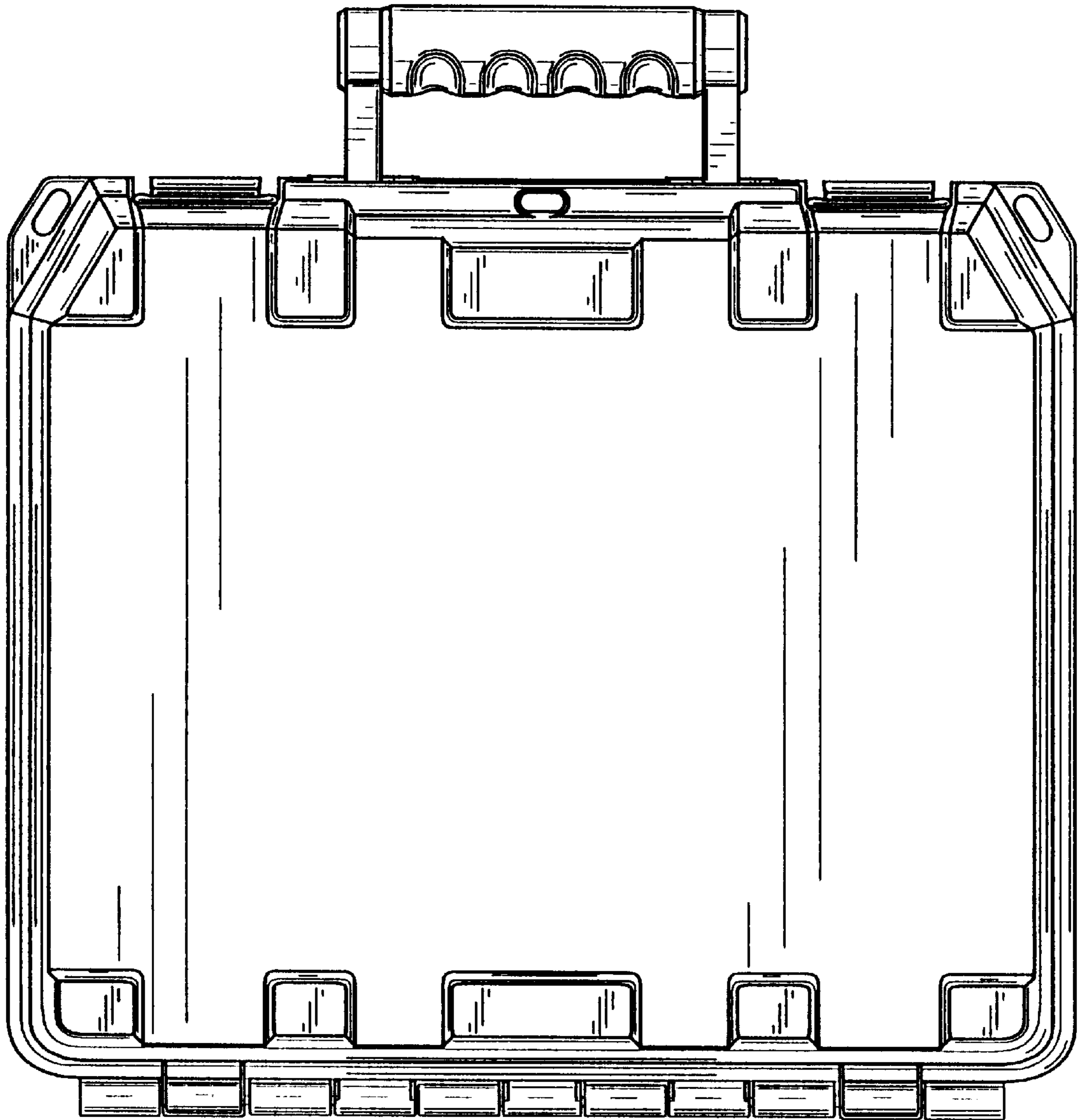


FIG. 2

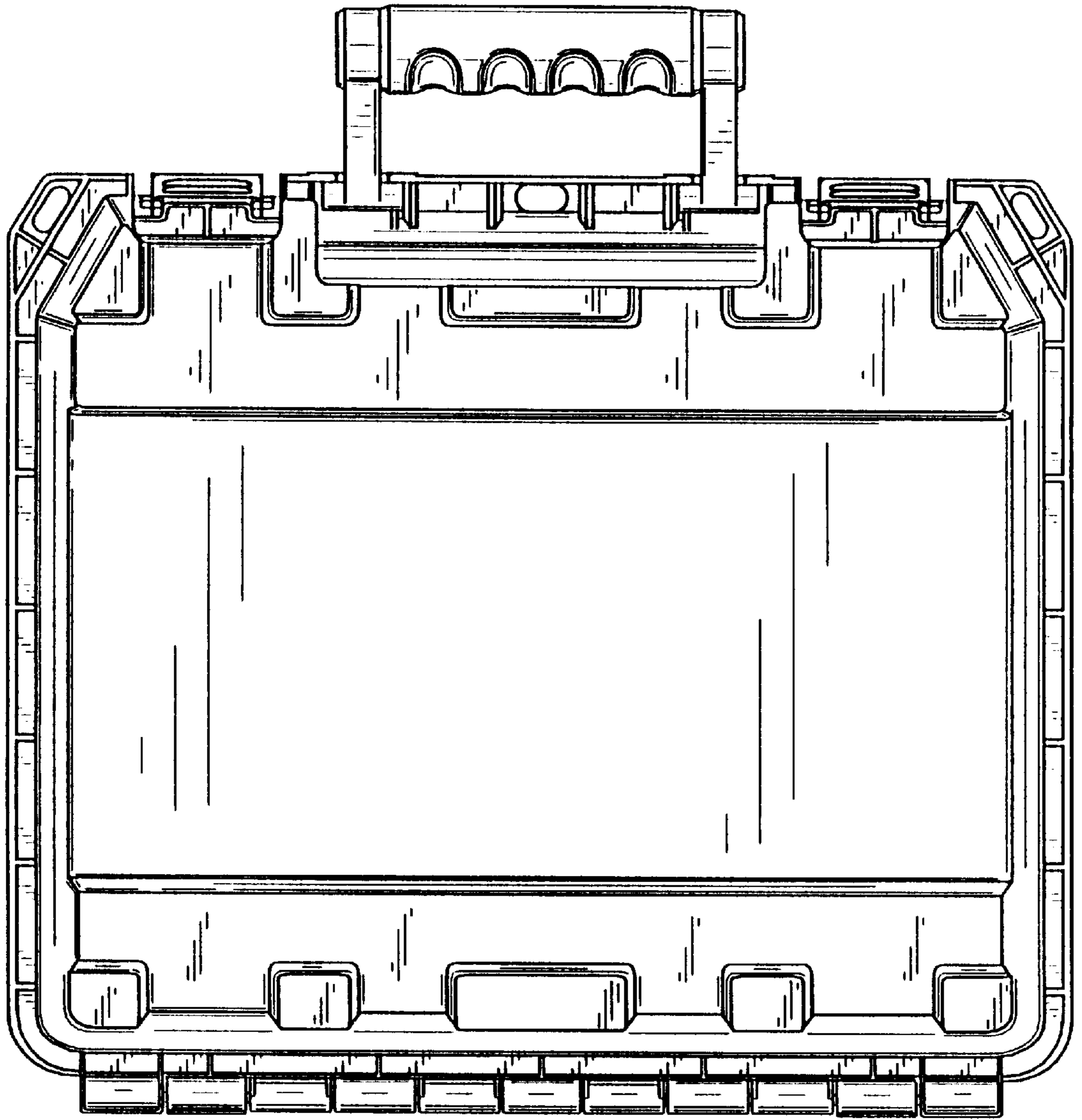


FIG. 3

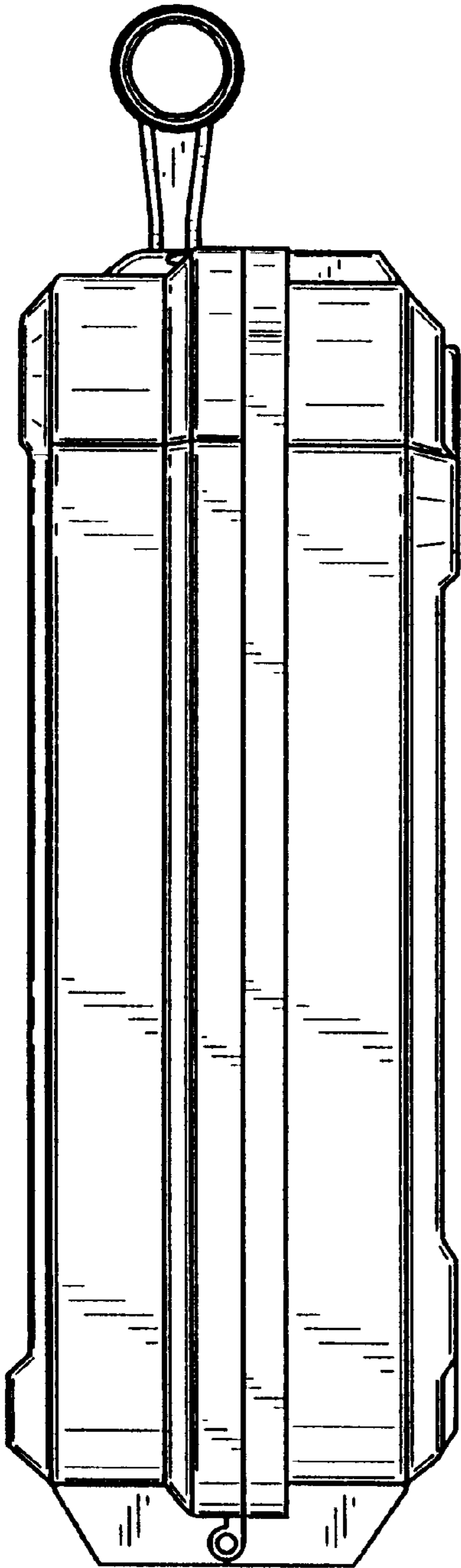


FIG. 4

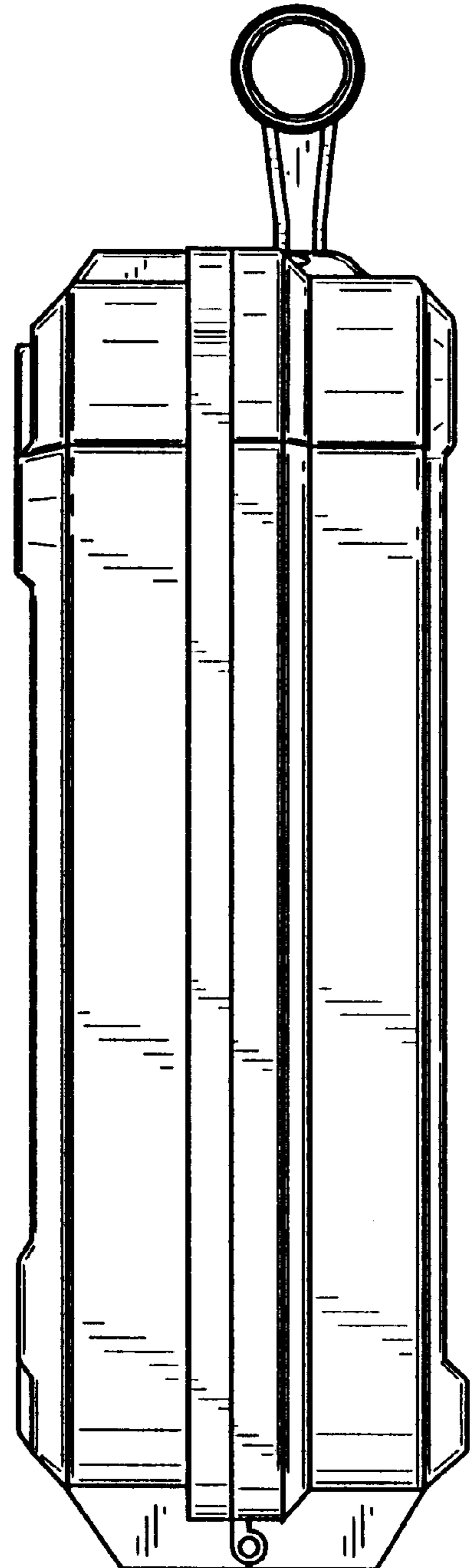


FIG. 5

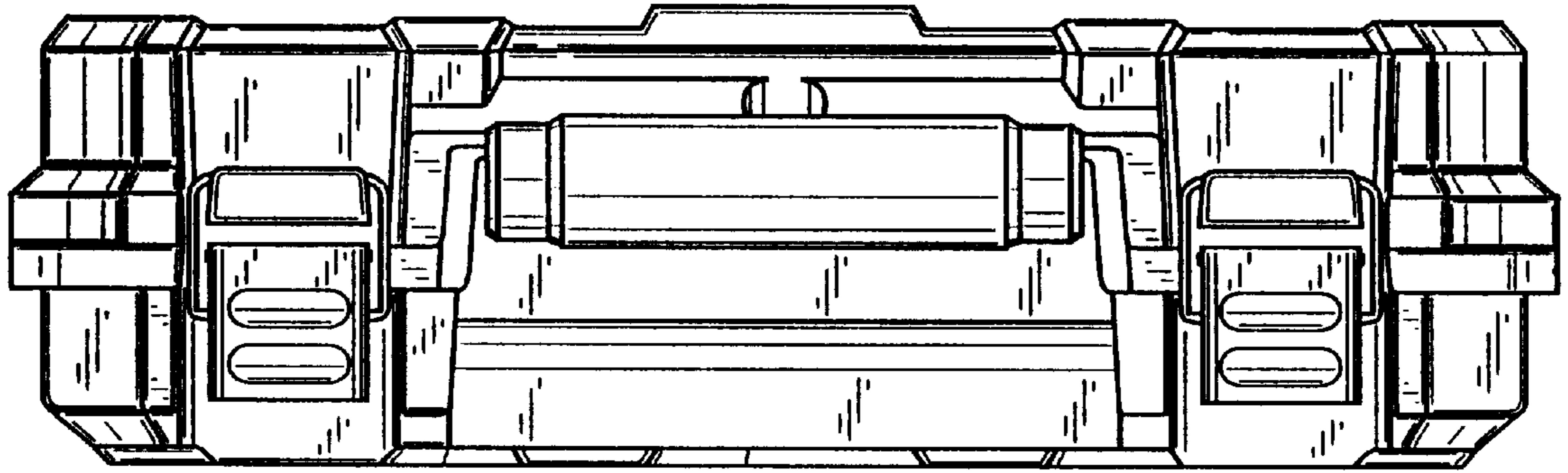


FIG. 6

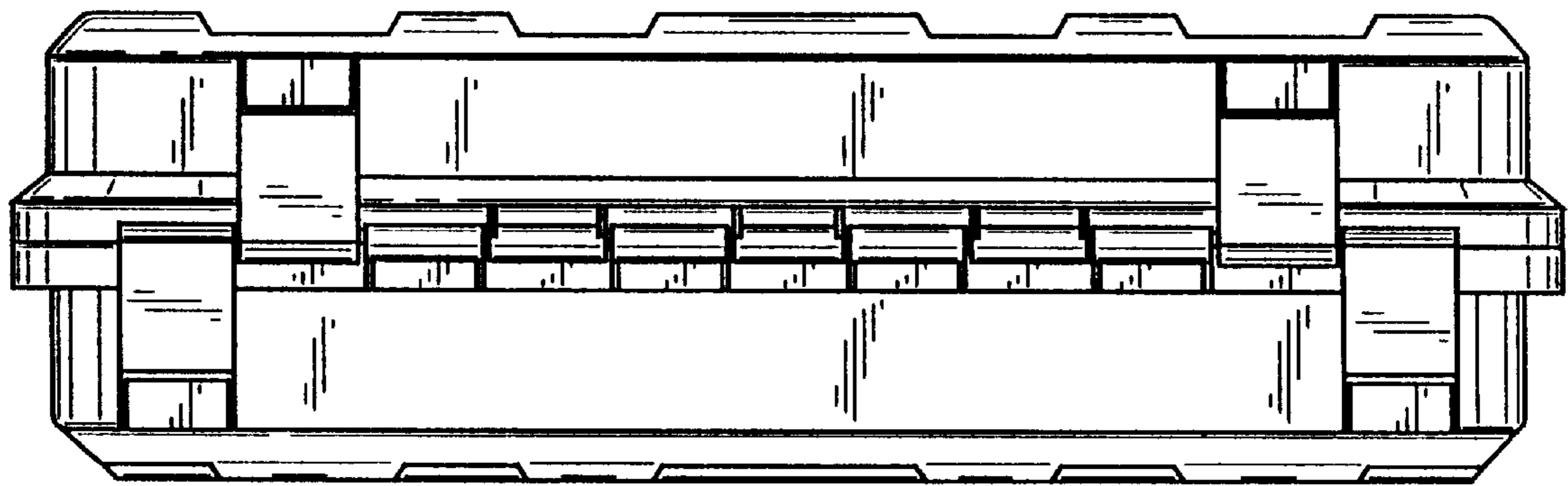


FIG. 7