



US00D429882S

# United States Patent [19]

Lee et al.

[11] Patent Number: **Des. 429,882**

[45] Date of Patent: **\*\* Aug. 29, 2000**

[54] **SEALED BIN WITH ACCESS DOOR**

[75] Inventors: **Alex Kinming Lee**, Junk Bay, The Hong Kong Special Administrative Region of the People's Republic of China; **Victor J. J. Cautereels**, Ranst, Belgium

[73] Assignee: **Dart Industries Inc.**, Orlando, Fla.

[\*\*] Term: **14 Years**

[21] Appl. No.: **29/110,750**

[22] Filed: **Sep. 13, 1999**

[51] **LOC (7) Cl.** ..... **03-01**

[52] **U.S. Cl.** ..... **D3/273; D9/420; D34/40**

[58] **Field of Search** ..... **D3/294; D34/40; 211/126.7; 206/501, 508, 509, 511; D9/424, 425, 420; 220/780**

[56] **References Cited**

**U.S. PATENT DOCUMENTS**

D. 293,289	12/1987	Edwards et al. ....	D7/79
D. 304,120	10/1989	Buchanan et al. ....	D3/294
D. 311,334	10/1990	Flynn et al. ....	D9/424
D. 311,799	10/1990	Embree et al. ....	D3/294
D. 313,150	12/1990	Hestehave et al. ....	D7/612
D. 330,328	10/1992	DiSesa, Jr. ....	D3/294

D. 334,453	3/1993	Koloski .....	D3/294
D. 347,554	6/1994	Wingate et al. ....	D7/612
D. 405,320	2/1999	Tisdale .....	D7/609
4,015,713	4/1977	Clipson et al. ....	206/509
4,260,069	4/1981	Juergens .....	220/331
5,038,937	8/1991	DiSesa, Jr. ....	206/501

**OTHER PUBLICATIONS**

US Serial No. 09/394,599, Container with Non-Planar Seal Between Base and Lid, filed Sep. 13, 1999.

*Primary Examiner*—Philip S. Hyder  
*Attorney, Agent, or Firm*—Taylor J. Ross

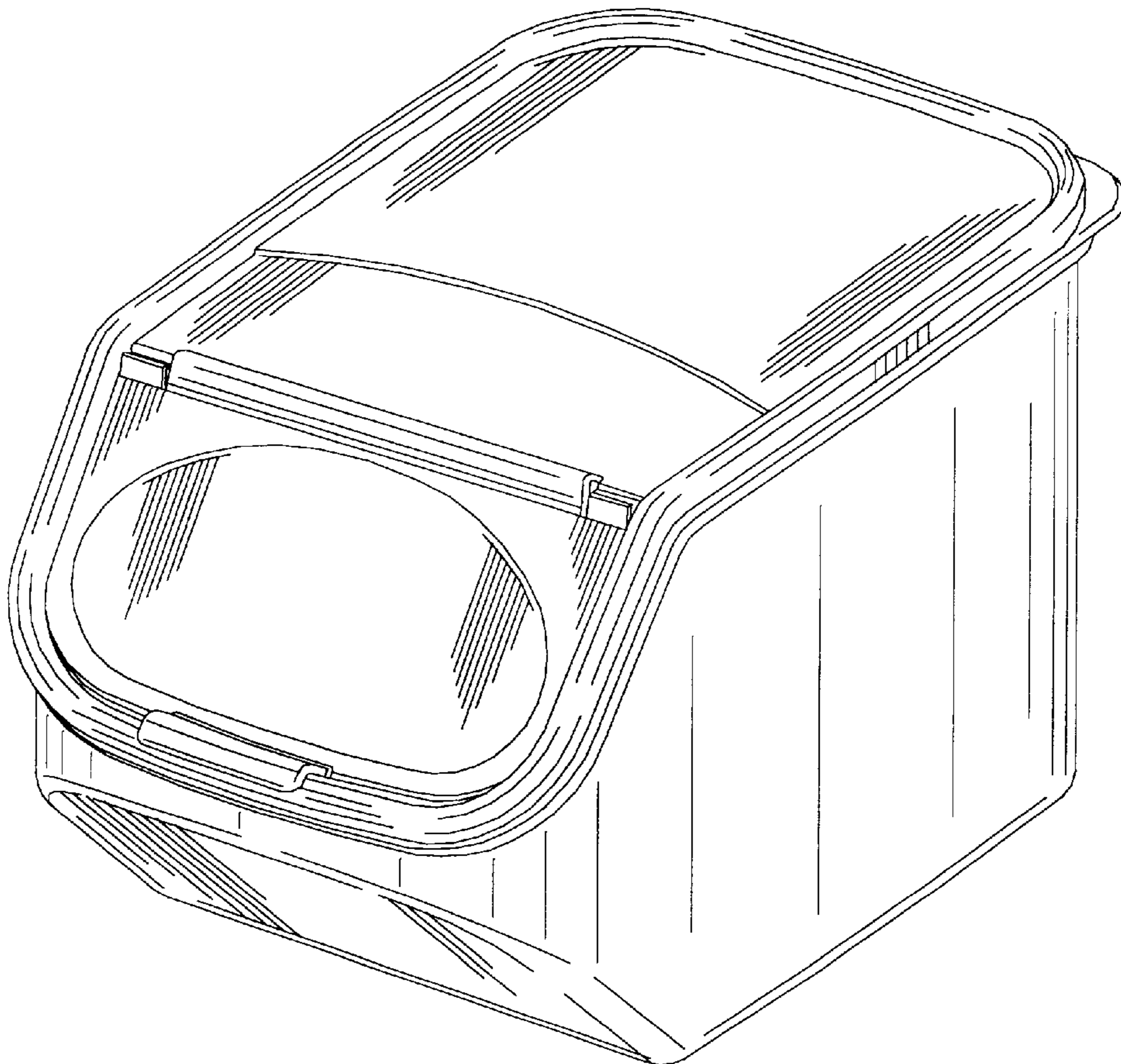
[57] **CLAIM**

The ornamental design for a sealed bin with access door, as shown and described.

**DESCRIPTION**

FIG. 1 is a top, side and front perspective view of a sealed bin with access door showing the new design; FIG. 2 is a right side elevation view thereof; FIG. 3 is a left side elevation view thereof; FIG. 4 is a rear elevation view thereof; FIG. 5 is a front elevation view thereof; FIG. 6 is a top plan view thereof; and, FIG. 7 is a bottom plan view thereof.

**1 Claim, 3 Drawing Sheets**



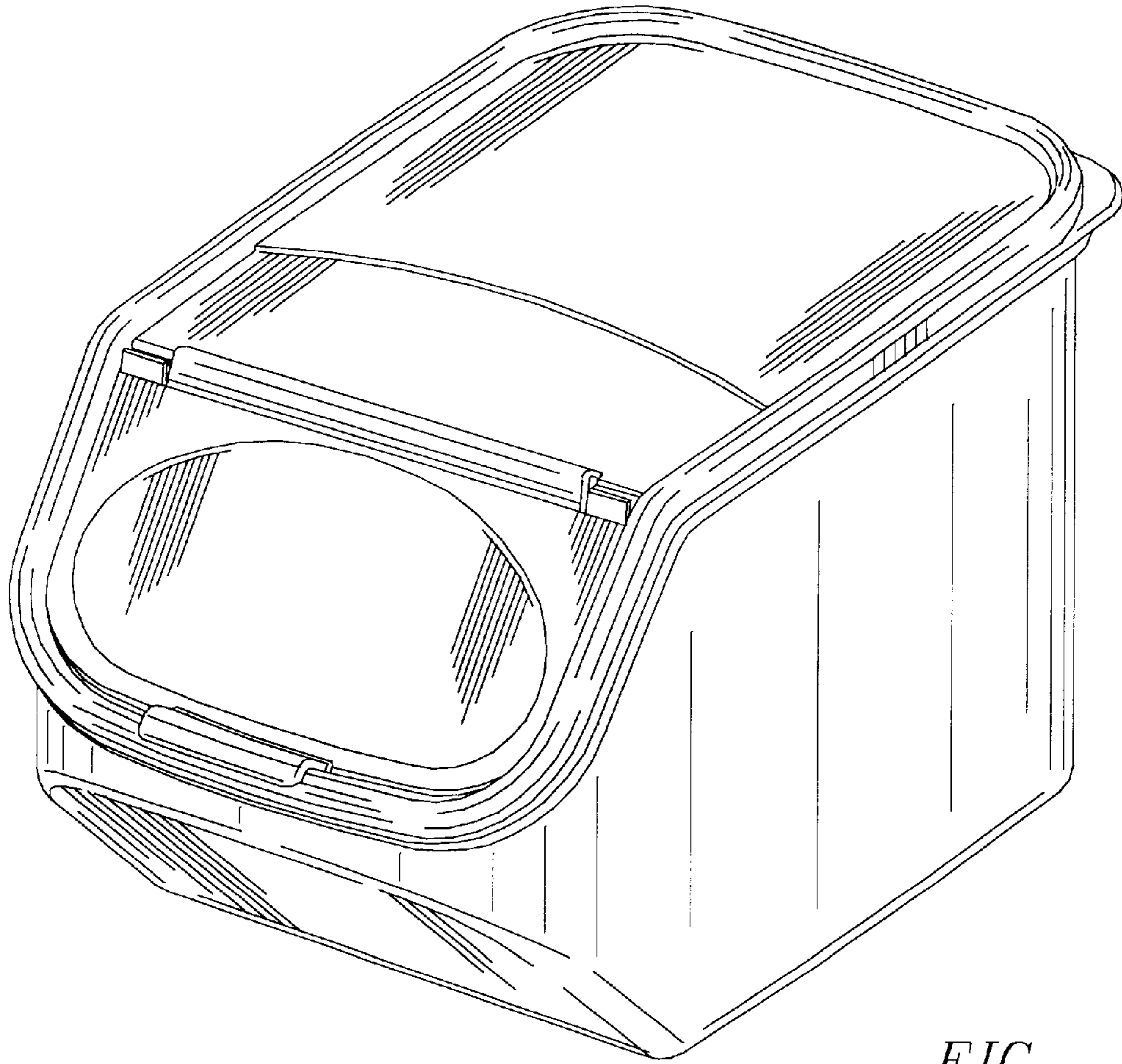


FIG. 1

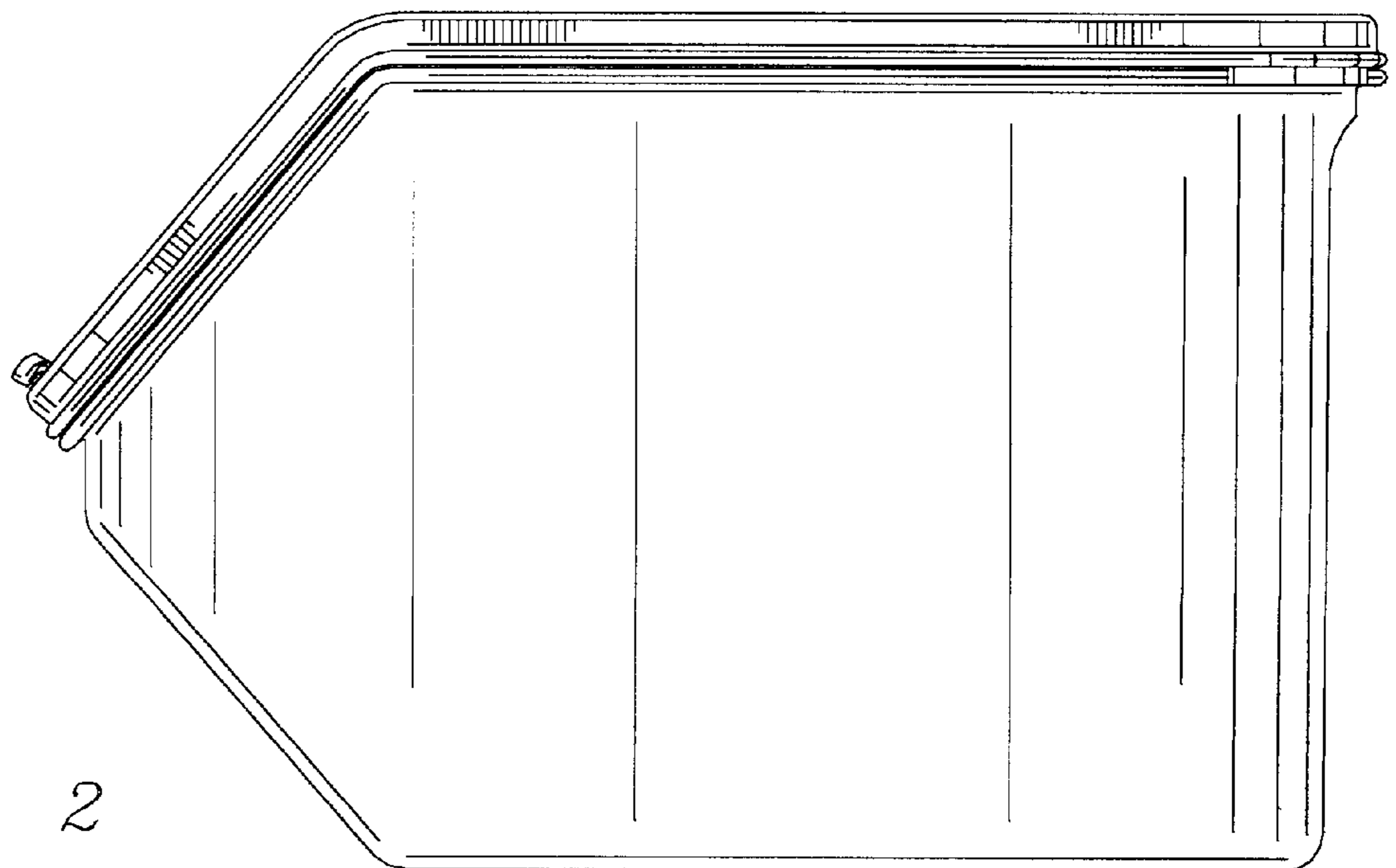


FIG. 2

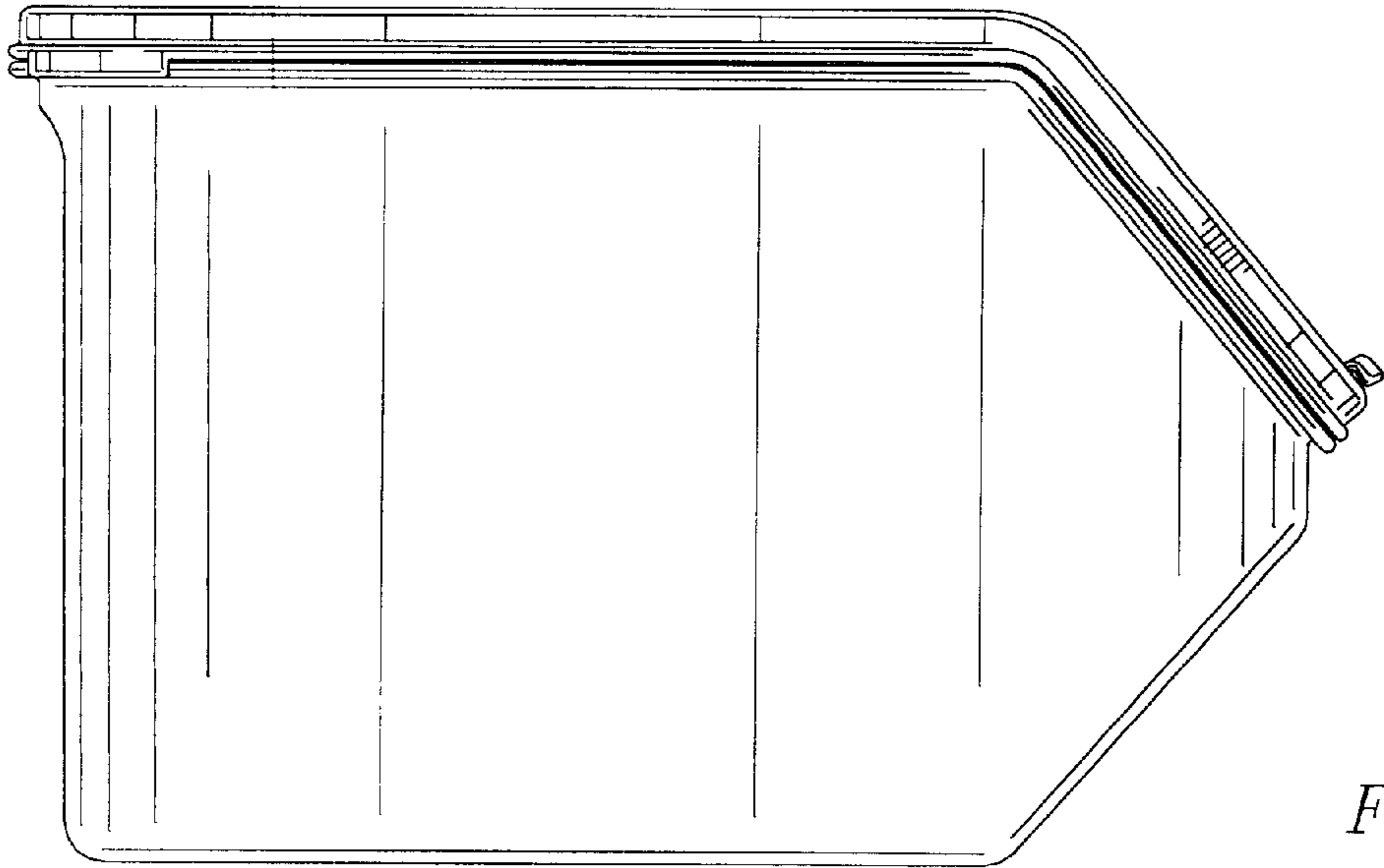


FIG. 3

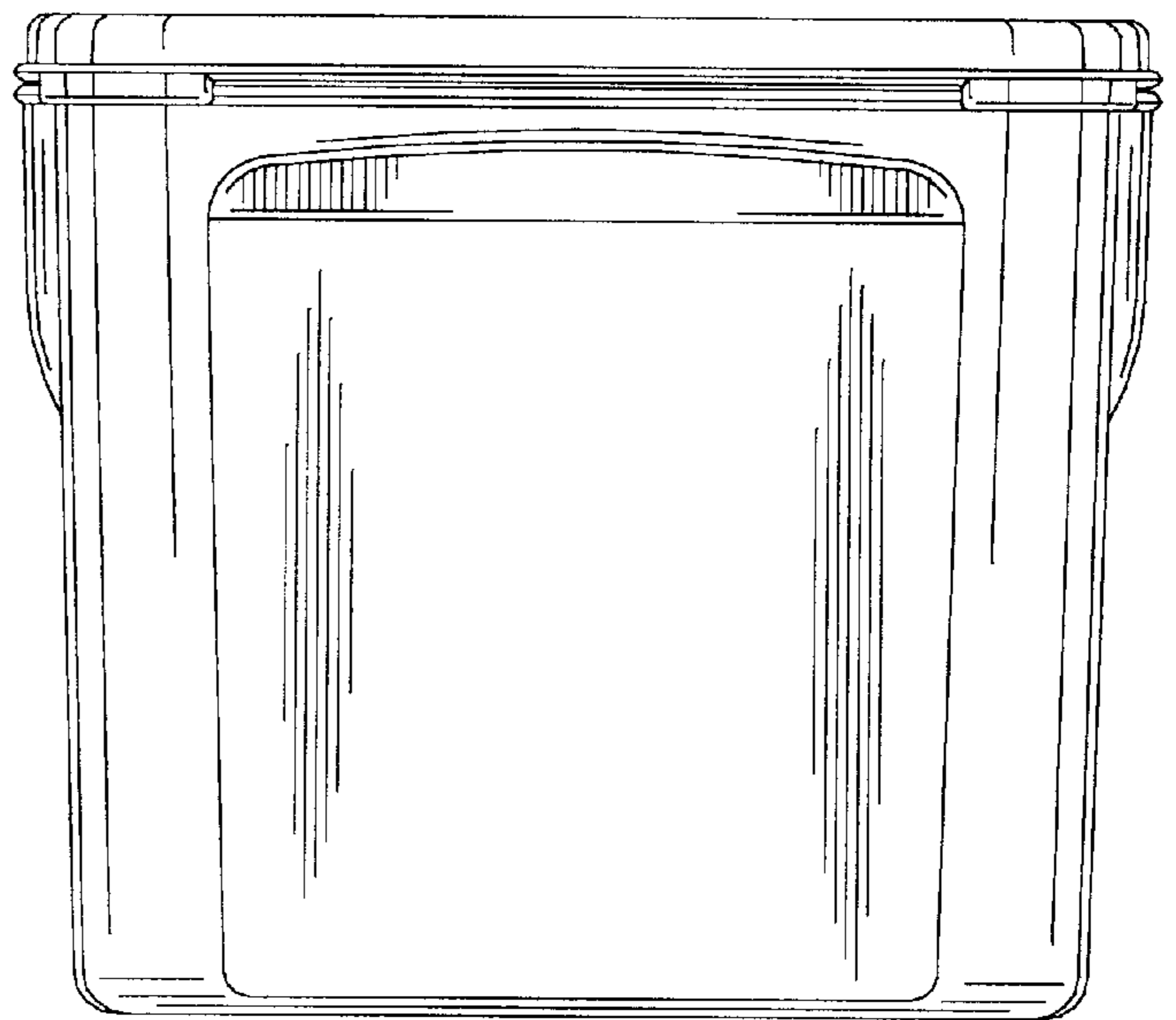


FIG. 4

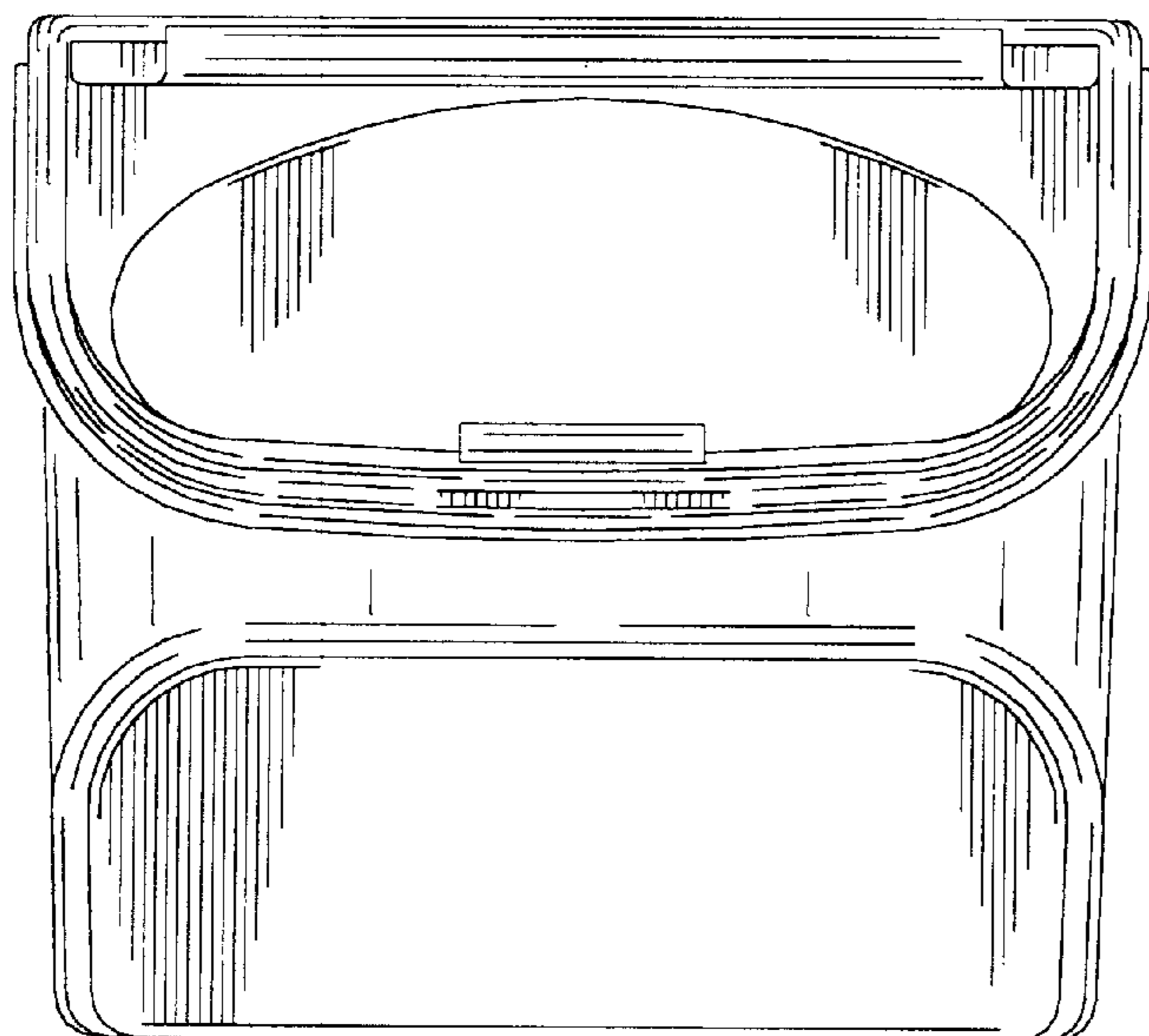


FIG. 5

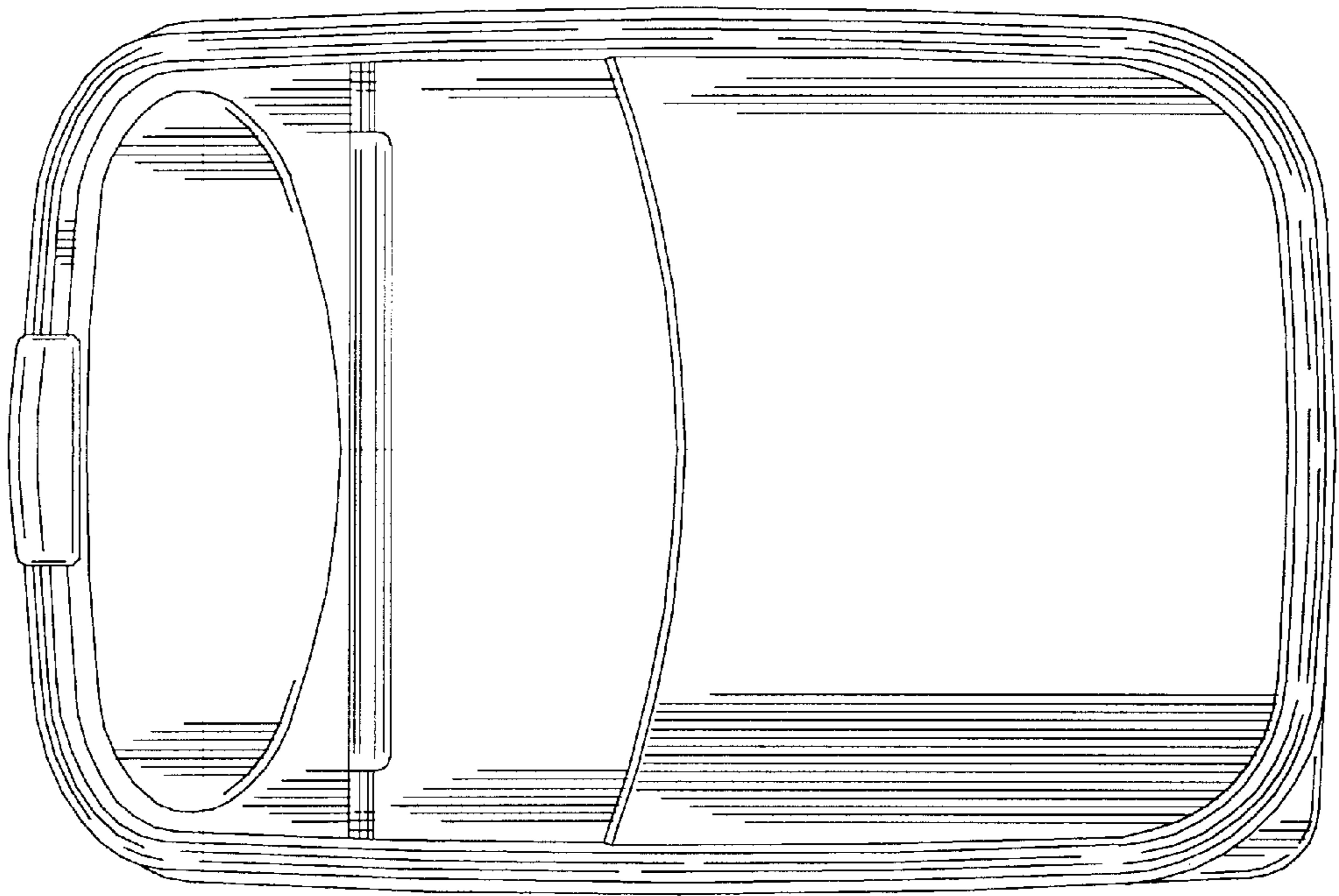


FIG. 6

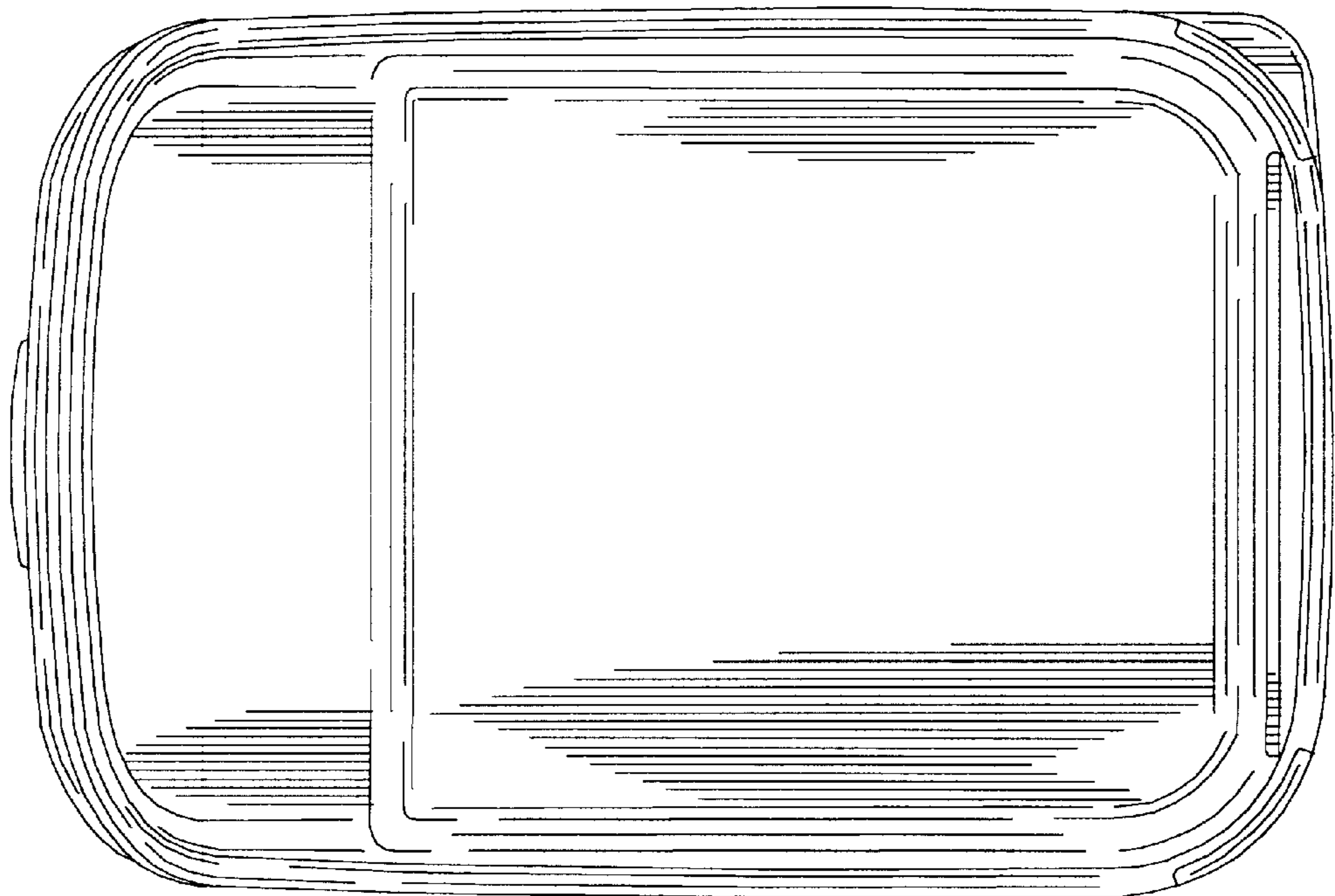


FIG. 7