



US00D429868S

United States Patent [19]
Mangisel

[11] **Patent Number: Des. 429,868**

[45] **Date of Patent: ** Aug. 29, 2000**

[54] **PROTECTIVE MEDICAL GARMENT**

D. 412,610 8/1999 Fujii et al. D2/731

[76] Inventor: **Linda Mangisel**, 250 Belmar Ave.,
Daly City, Calif. 94015

Primary Examiner—Louis S. Zarfaz
Assistant Examiner—Inga-Maria Hyttinen

[**] Term: **14 Years**

[57] **CLAIM**

[21] Appl. No.: **29/092,833**

The ornamental design for a protective medical garment, as shown.

[22] Filed: **Aug. 27, 1998**

DESCRIPTION

[51] **LOC (7) Cl.** **02-02**

[52] **U.S. Cl.** **D2/860**

[58] **Field of Search** D2/860, 731, 737,
D2/738, 739, 743; 2/227, 76, 79, 110

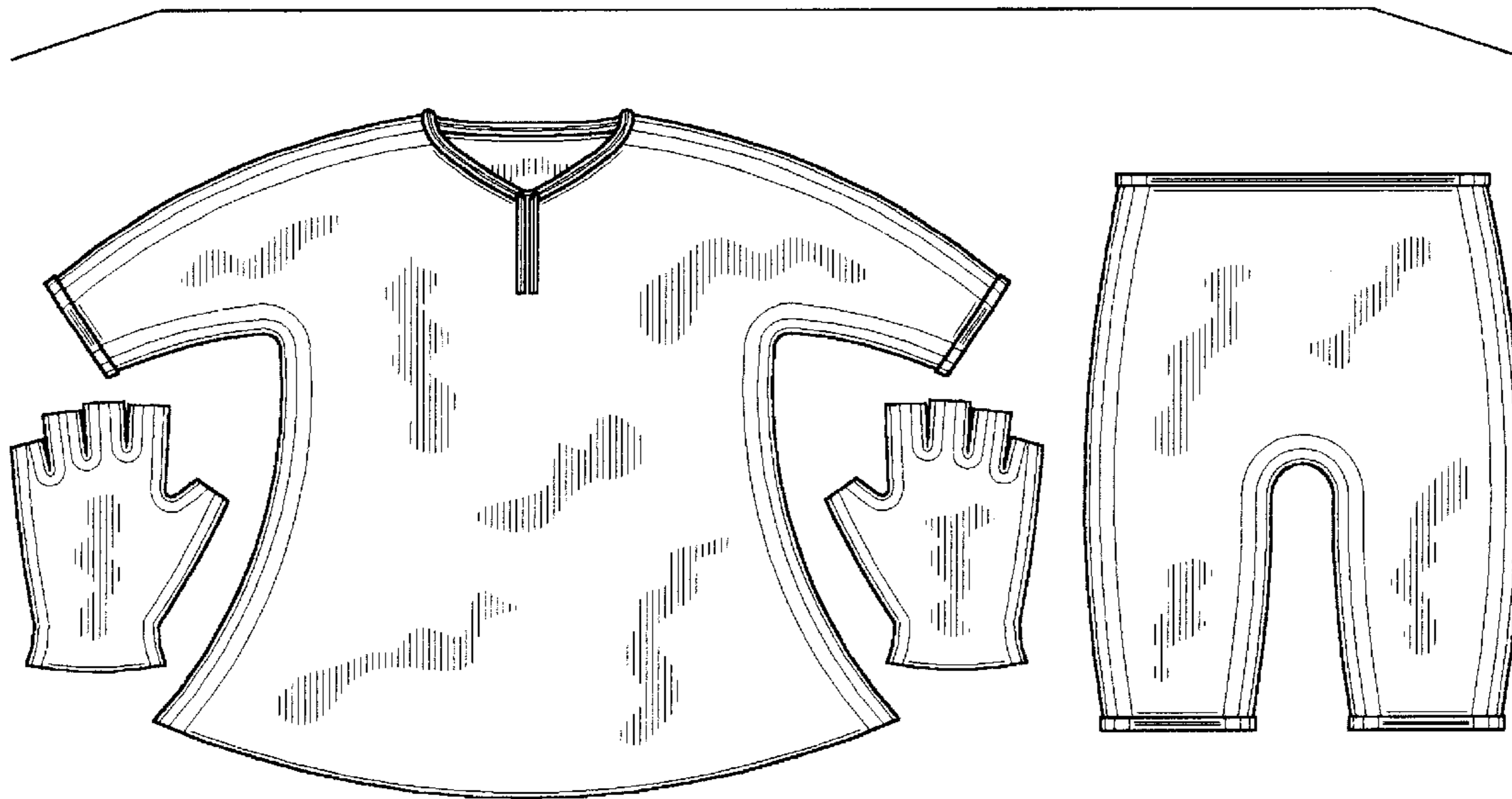
FIG. 1 is a front elevational view of the protective medical garment of the present invention;
FIG. 2 is a back elevational view of the protective medical garment of FIG. 1;
FIG. 3 is a left side elevational view of the protective medical garment of FIG. 1;
FIG. 4 is a right side elevational view of the protective medical garment of FIG. 1;
FIG. 5 is a top plan view of the protective medical garment of FIG. 1; and,
FIG. 6 is a bottom plan view of the protective medical garment of FIG. 1.

[56] **References Cited**

U.S. PATENT DOCUMENTS

- D. 339,902 10/1993 Doherty D2/738
- D. 351,494 10/1994 Mintz D2/743
- D. 360,516 7/1995 Persinger D2/731
- D. 360,744 8/1995 Wagner D2/731
- D. 361,879 9/1995 Gregory-Thompson et al. D2/731
- D. 364,725 12/1995 Farnsworth D2/743
- D. 387,188 12/1997 Varao D2/731

1 Claim, 3 Drawing Sheets



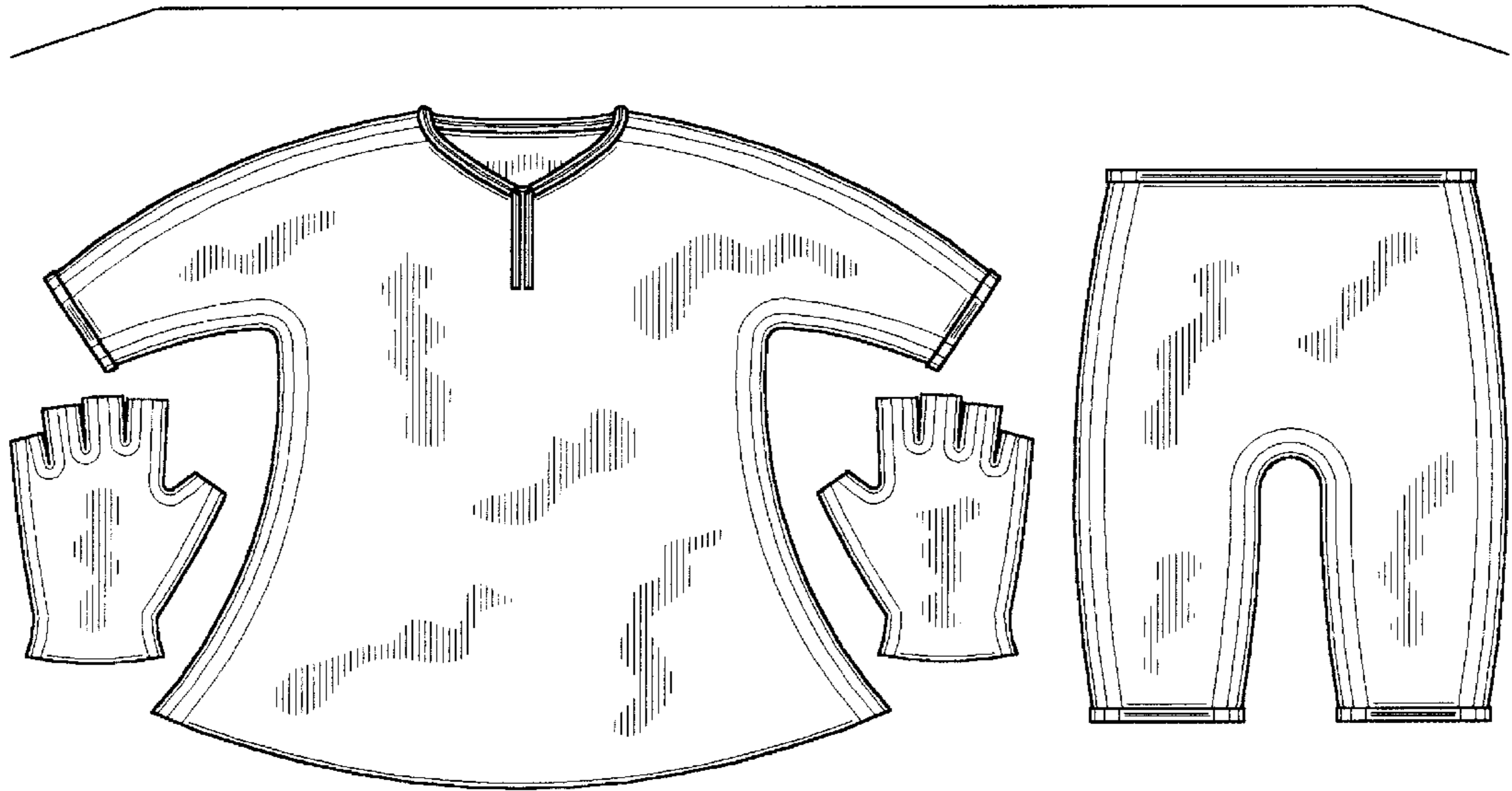


Fig. 1

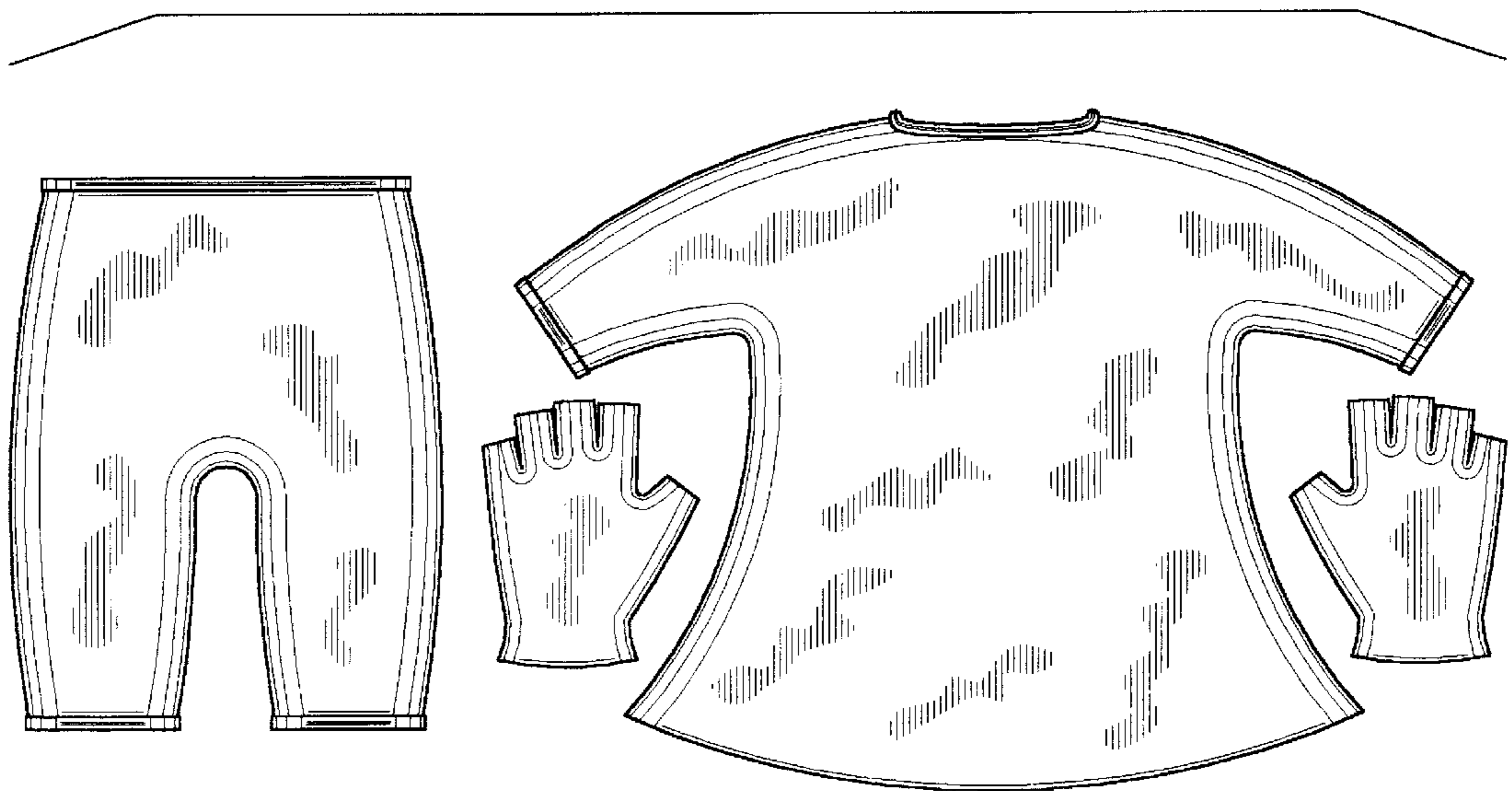


Fig. 2

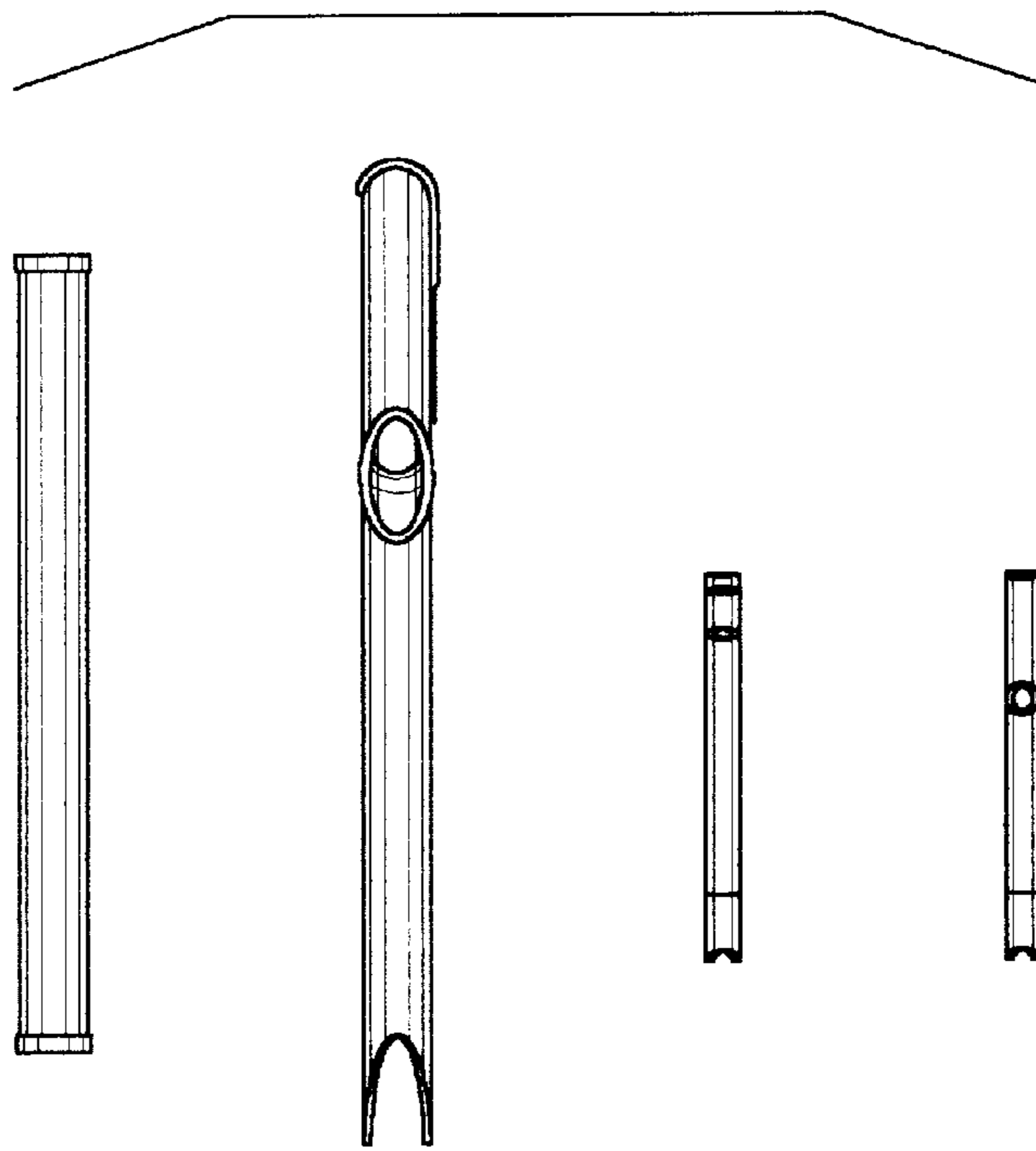


Fig. 3

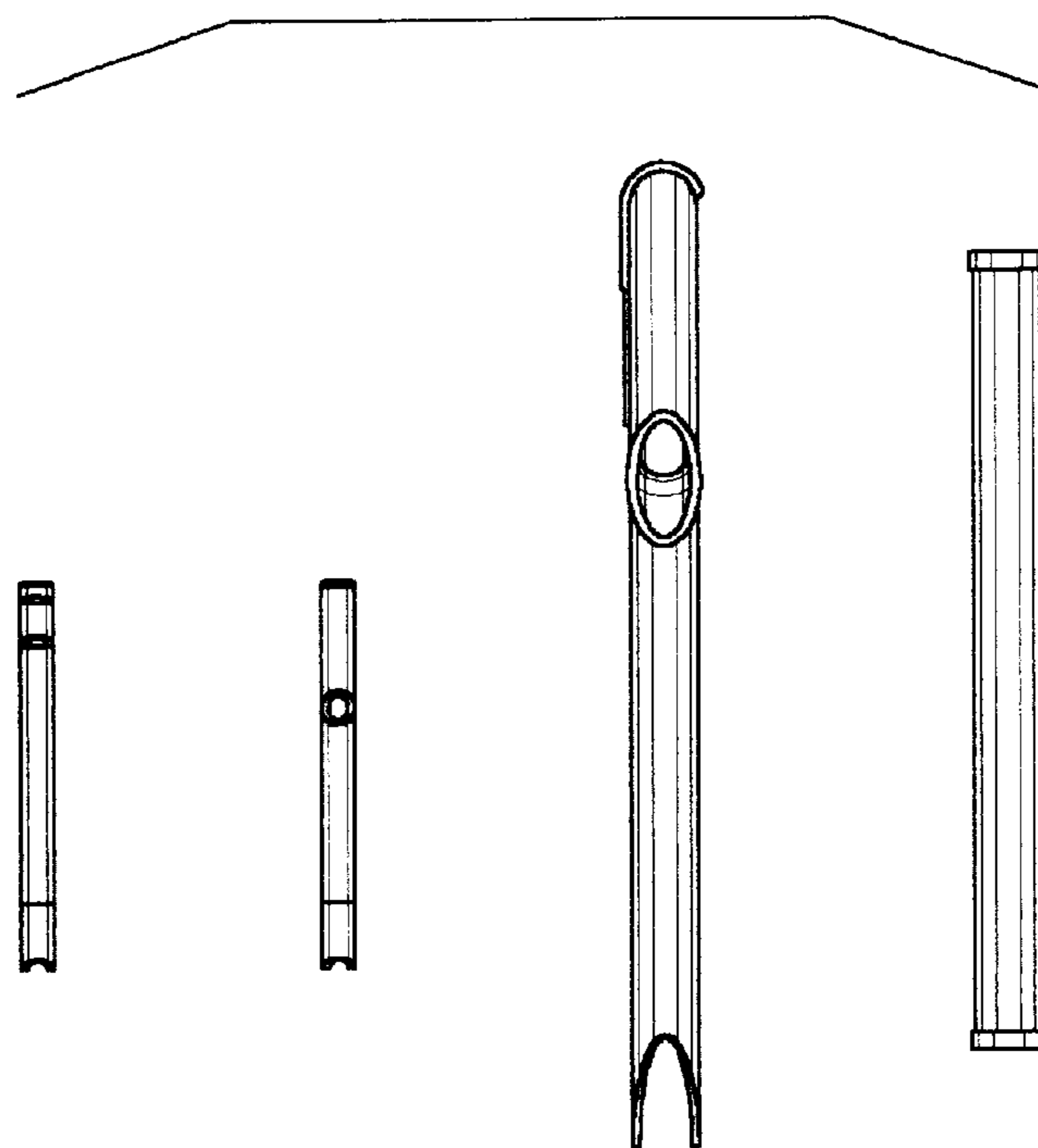


Fig. 4

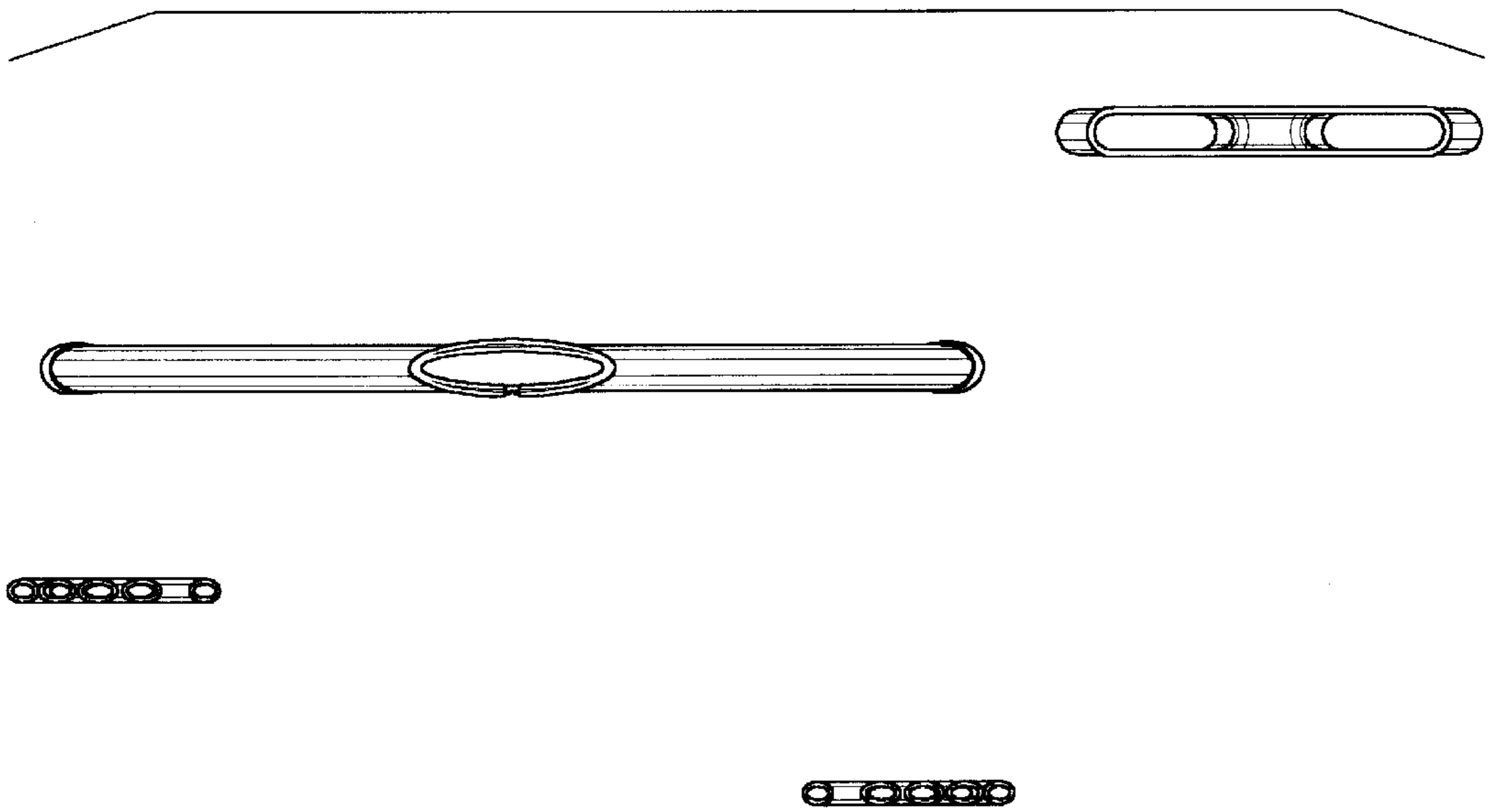


Fig. 5

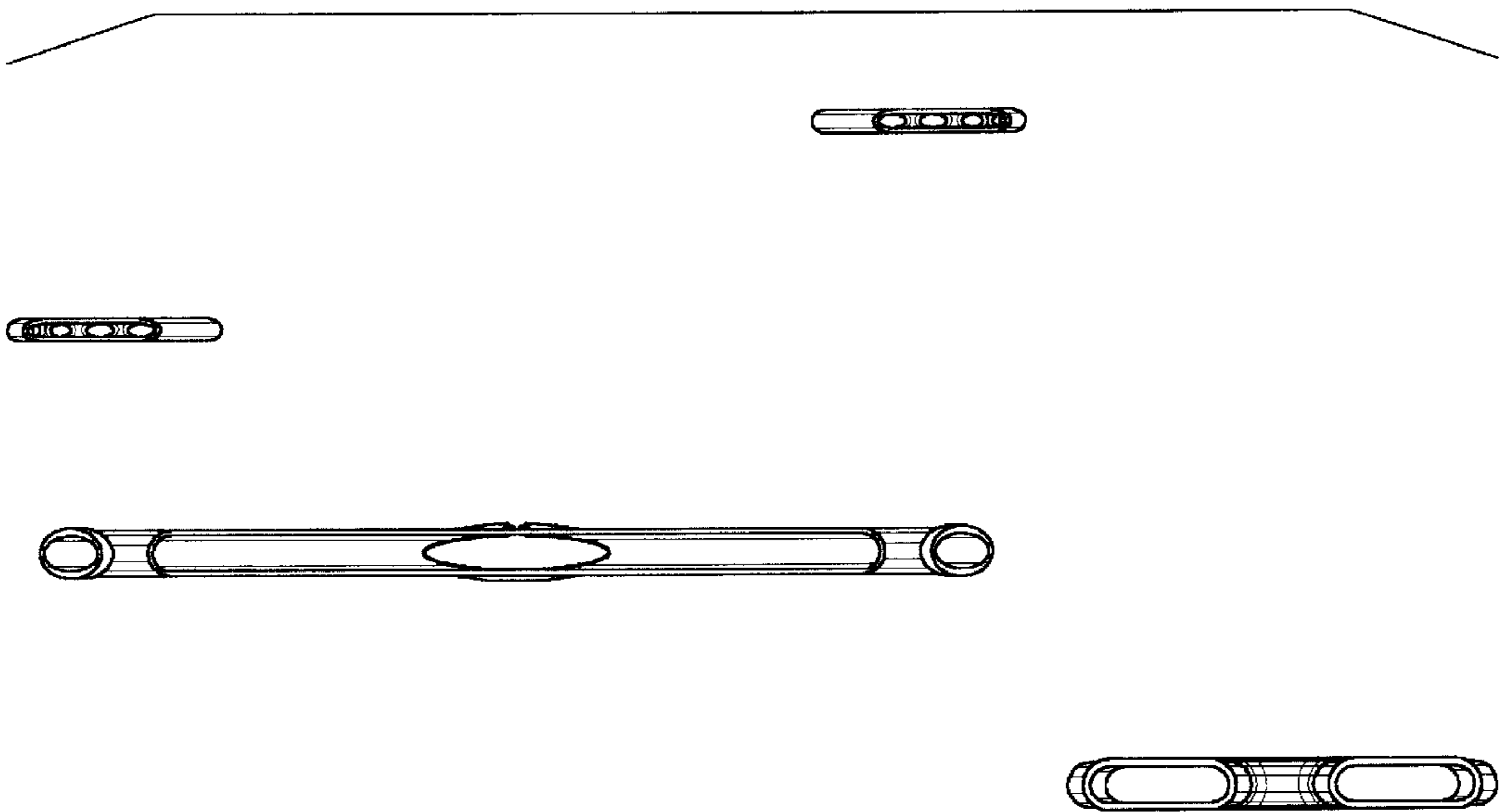


Fig. 6