



US00D429867S

# United States Patent [19] Heaton

[11] **Patent Number: Des. 429,867**

[45] **Date of Patent: \*\* Aug. 29, 2000**

[54] **DOG BISCUIT**

[75] Inventor: **William James Heaton**, Cobourg,  
Canada

[73] Assignee: **Pet Life Foods, Inc.**, Willowbrook, Ill.

[\*\*] Term: **14 Years**

[21] Appl. No.: **29/117,465**

[22] Filed: **Jan. 25, 2000**

### [30] Foreign Application Priority Data

Oct. 18, 1999 [CA] Canada ..... 1999-2511

[51] **LOC (7) Cl.** ..... **01-01**

[52] **U.S. Cl.** ..... **D1/199**

[58] **Field of Search** ..... D1/100, 121, 122,  
D1/127-129, 199; D24/101, 103; D30/160;  
426/53, 54, 76, 104, 144, 279, 280, 349,  
623, 635; 424/467

### [56] References Cited

#### U.S. PATENT DOCUMENTS

D. 320,494 10/1991 Cederroth et al. .... D1/100

D. 340,121 10/1993 Russell ..... D1/199  
D. 359,554 6/1995 Dansereau et al. .... D24/101  
D. 375,181 11/1996 Tournay et al. .... D1/100  
D. 383,886 9/1997 Baumgartner ..... D1/199  
D. 407,185 3/1999 Marcks ..... D1/106

*Primary Examiner*—Alan P. Douglas  
*Assistant Examiner*—Linda Brooks  
*Attorney, Agent, or Firm*—Ledig, Voit & Mayer, Ltd.

### [57] CLAIM

The ornamental design for a dog biscuit, as shown and described.

### DESCRIPTION

FIG. 1 is a perspective view of the dog biscuit incorporating said design;  
FIG. 2 is a top plan thereof, the bottom facing flat;  
FIG. 3 is an end elevational view thereof, an opposite end elevational view thereof being the same;  
FIG. 4 is a side elevational view thereof, an opposite side elevational view thereof being the same; and,  
FIG. 5 is a sectioned view thereof on line 5—5 in FIG. 2.

**1 Claim, 1 Drawing Sheet**

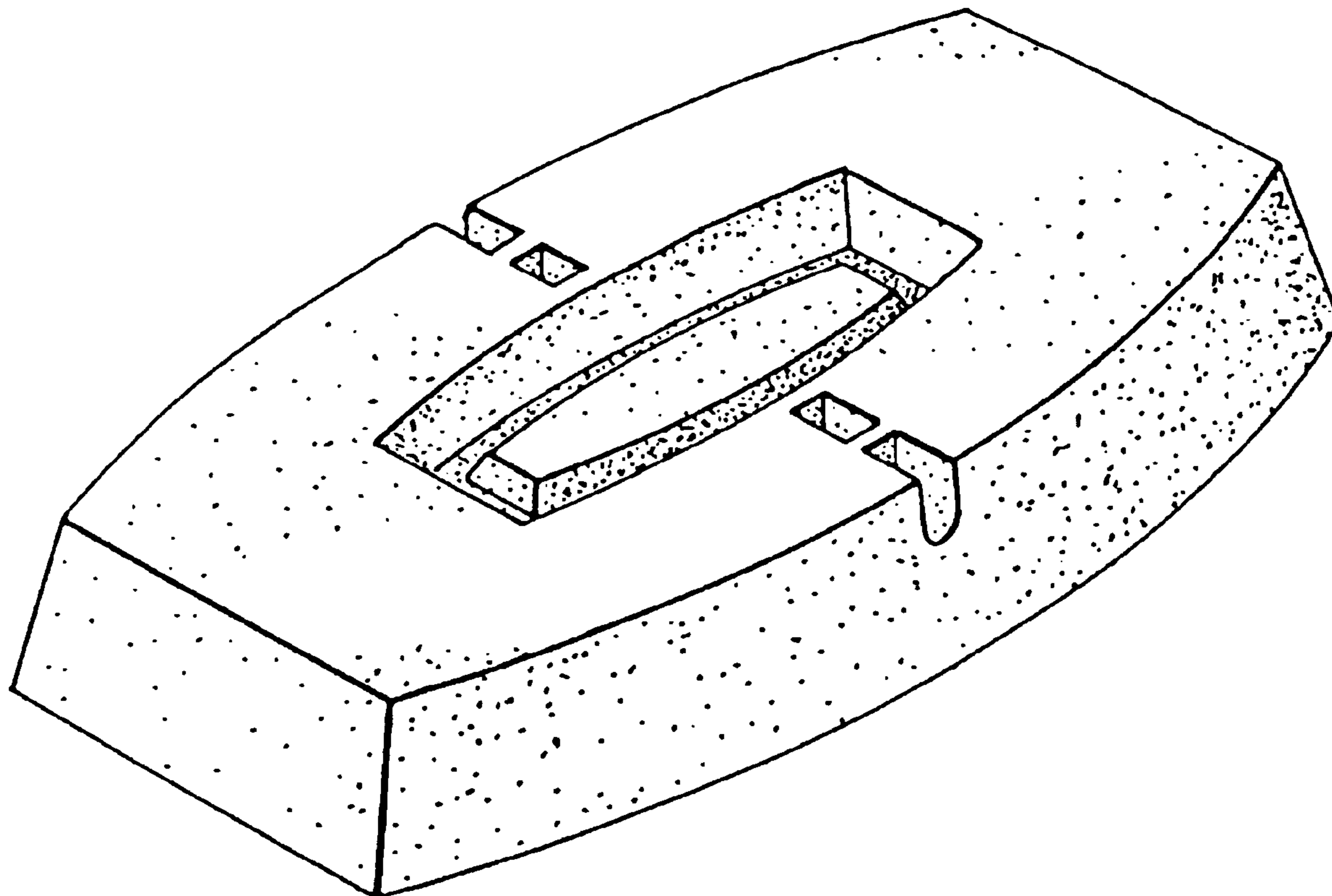


FIG. 1

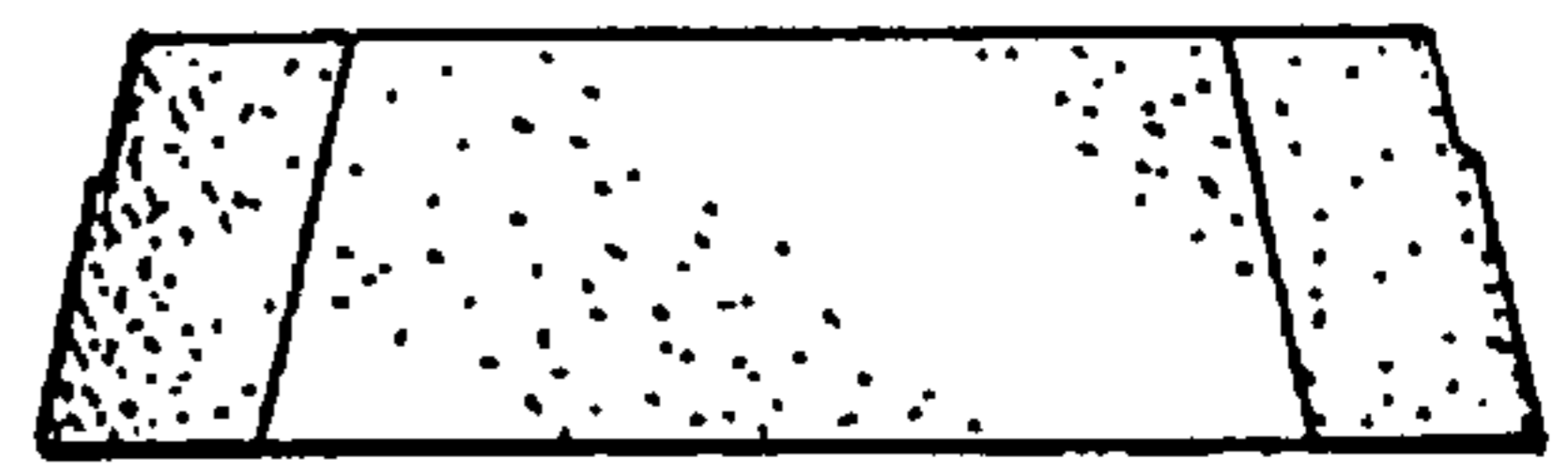
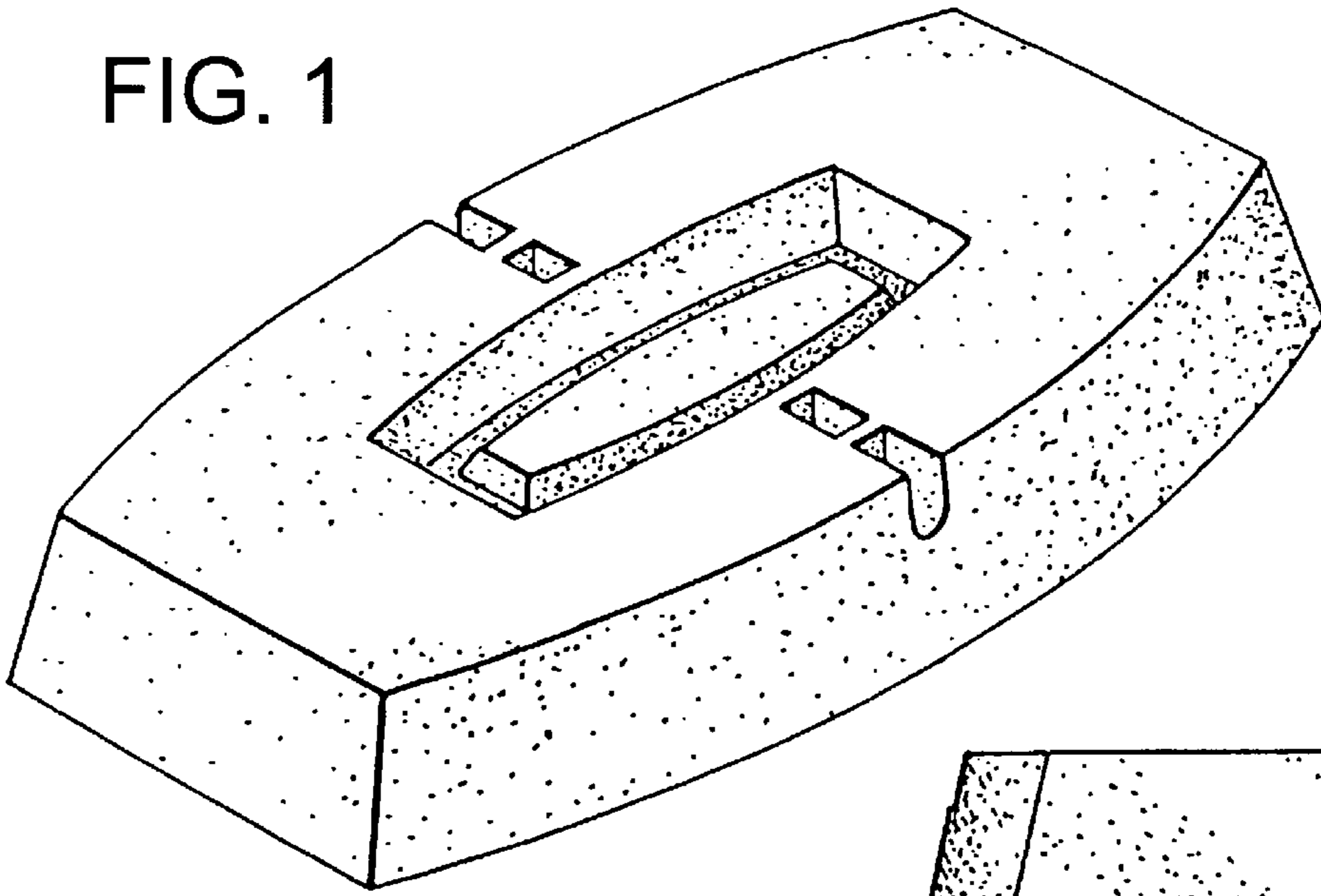


FIG. 3

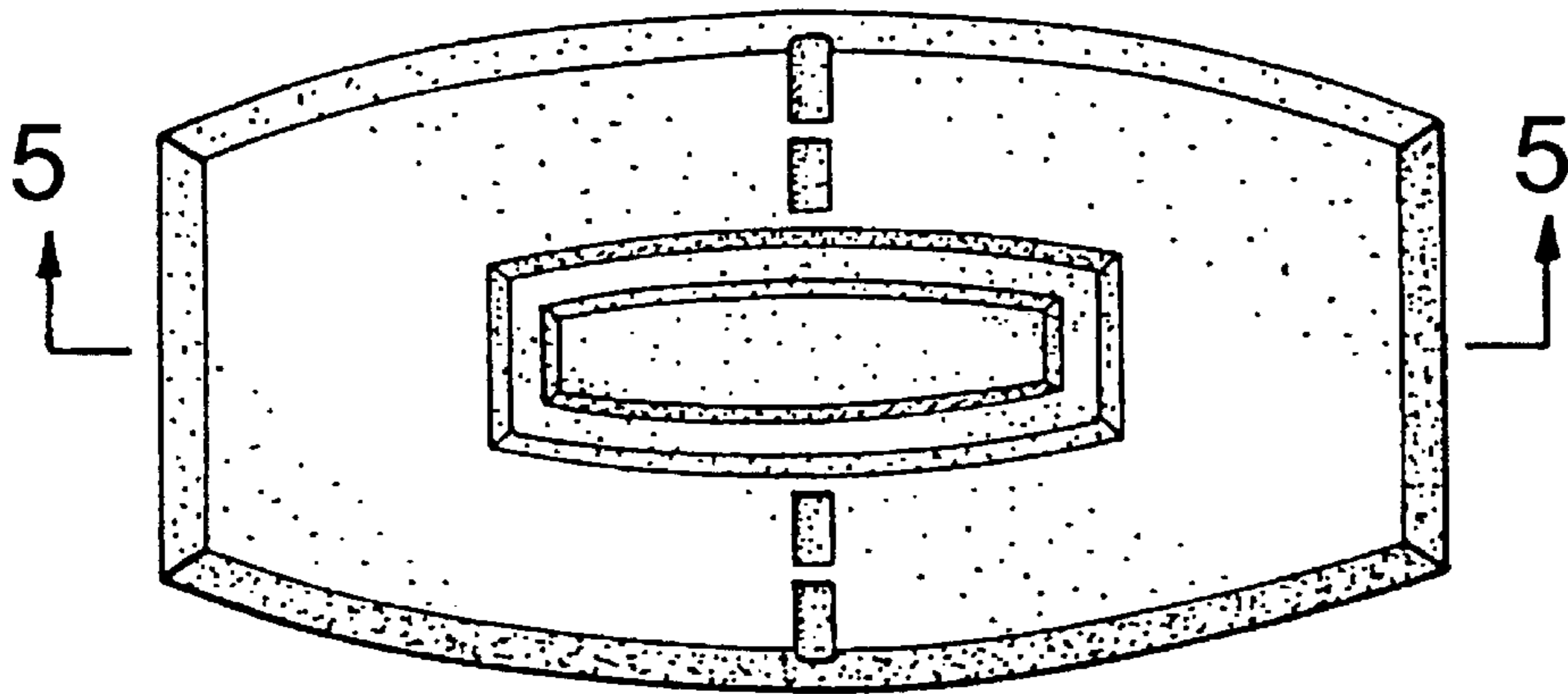


FIG. 2

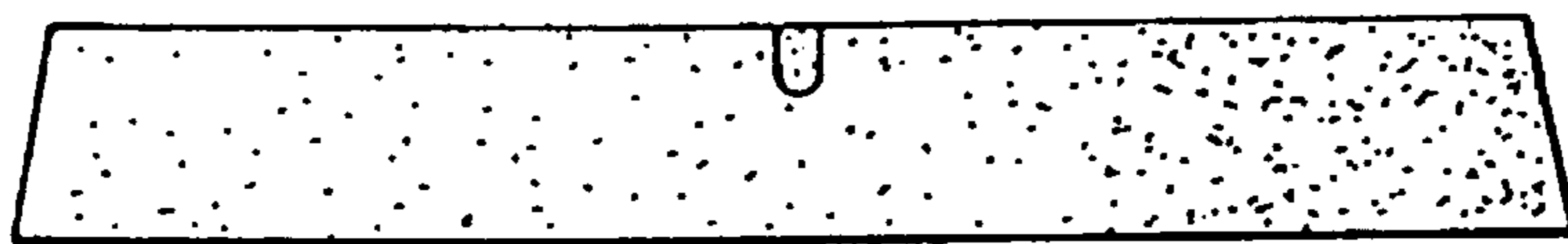


FIG. 4

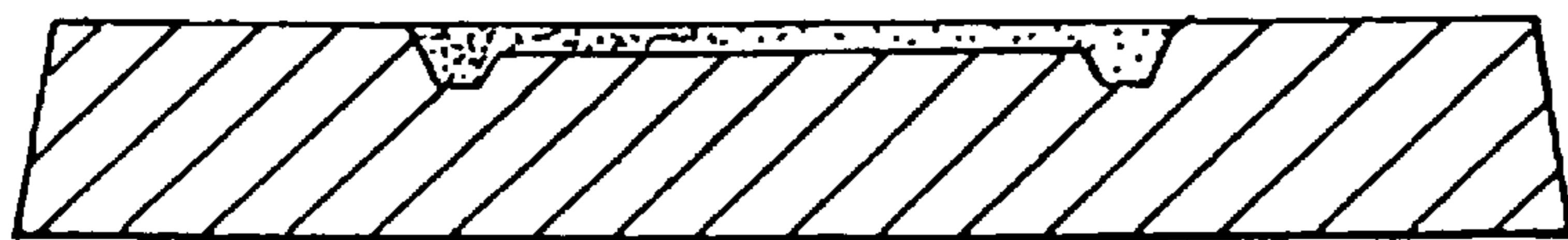


FIG. 5