



US00D429864S

United States Patent [19] Schmidt

[11] Patent Number: Des. 429,864

[45] Date of Patent: ** Aug. 22, 2000

[54] **BLADE DISPOSAL APPARATUS**

[75] Inventor: **G. Gerry Schmidt**, Newport Beach, Calif.

[73] Assignee: **Pacific Handy Cutter, Inc.**, Costa Mesa, Calif.

[**] Term: **14 Years**

[21] Appl. No.: **29/117,646**

[22] Filed: **Jan. 28, 2000**

[51] **LOC (7) Cl.** **09-09**

[52] **U.S. Cl.** **D34/6; D6/524**

[58] **Field of Search** D6/515, 518, 526, D6/524; D28/73; D34/1, 6; 206/208, 366; 248/200, 205.1, 309.1, 310, 311.1, 907

[56] **References Cited**

U.S. PATENT DOCUMENTS

D. 228,745	10/1973	Glaberson et al.	D9/186
D. 238,252	12/1975	Meshulaua	D9/193
D. 307,841	5/1990	Hanifl et al.	D6/515
D. 334,449	3/1993	Gaba	D34/6
1,476,401	12/1923	Hechmer .	
1,634,777	7/1927	Girdler .	
1,770,289	7/1930	Sherman et al. .	
1,910,374	5/1933	Williams .	
2,065,607	12/1936	Morgan .	
2,441,777	5/1948	Testi	206/16

2,453,238	11/1948	Locke, Jr.	206/16
3,255,913	6/1966	Helm	220/18
4,715,498	12/1987	Hanifl	206/366
4,759,441	7/1988	Leurck	206/373
4,809,850	3/1989	Laible et al.	206/366
5,058,764	10/1991	Gaba	248/907 X
5,887,774	3/1999	Bethune	224/414
5,894,925	4/1999	Sukiennik et al.	206/356

Primary Examiner—Brian N. Vinson
Attorney, Agent, or Firm—Henricks, Slavin & Holmes LLP

[57] **CLAIM**

The ornamental design for a blade disposal apparatus, as shown and described.

DESCRIPTION

FIG. 1 is a top, front, and right side perspective view of a holder unit for a blade disposal apparatus showing my new design, the broken-line disclosure of a disposal apparatus being for illustrative purposes only and forming no part of the claimed design;

FIG. 2 is an enlarged top, front, and right side perspective view thereof;

FIG. 3 is an enlarged left side elevational view thereof, the undisclosed right side being a mirror image of that shown

FIG. 4 is an enlarged front elevational view thereof;

FIG. 5 is an enlarged rear elevational view thereof;

FIG. 6 is an enlarged top plan view thereof; and,

FIG. 7 is an enlarged bottom plan view thereof.

1 Claim, 5 Drawing Sheets

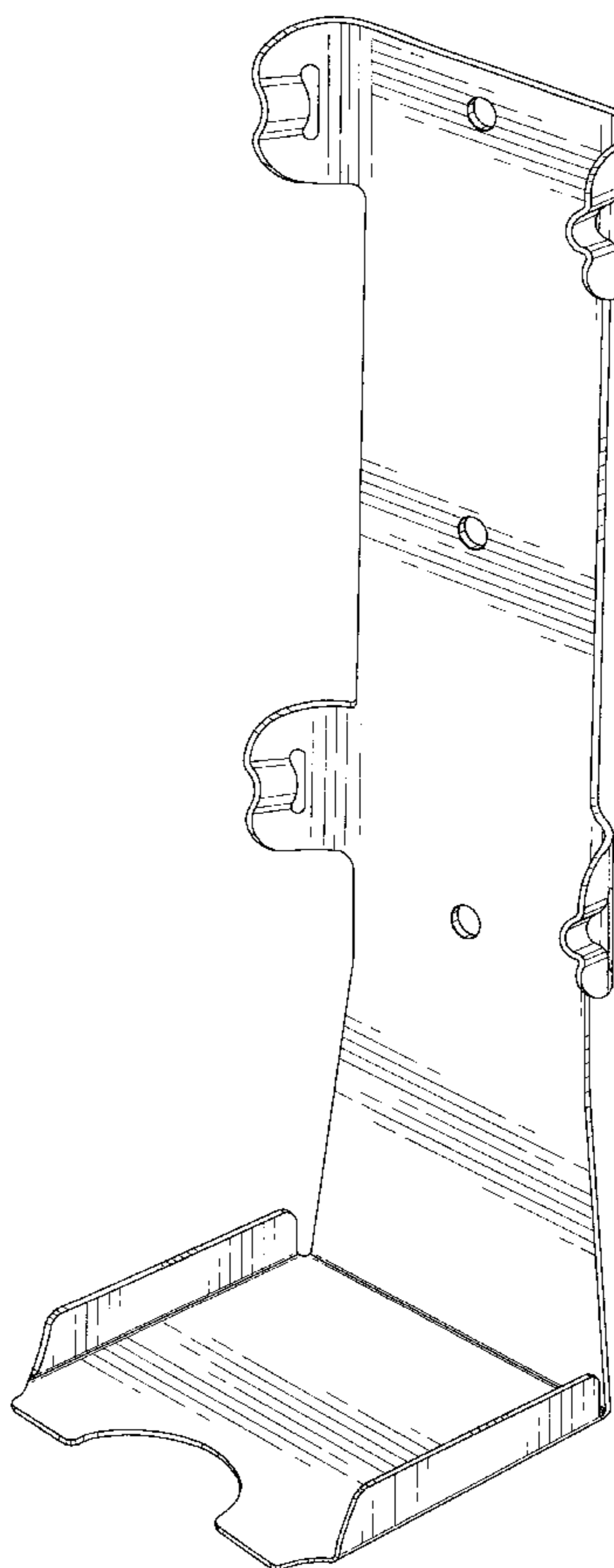
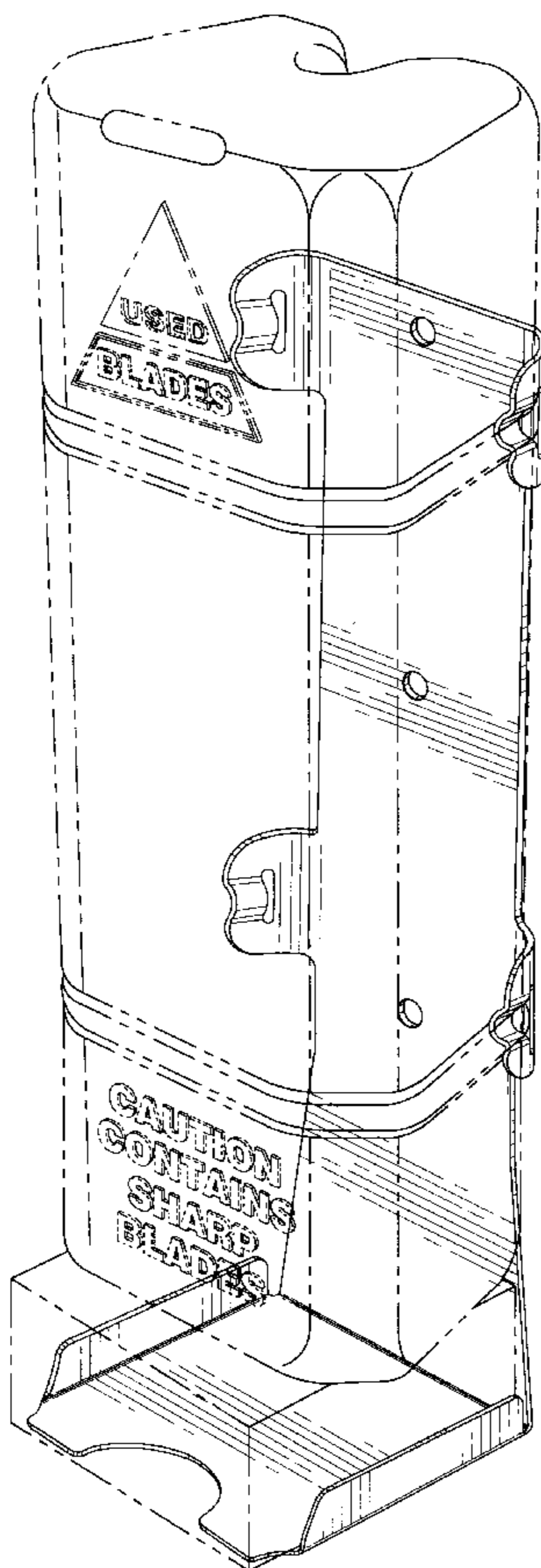


FIG. 1

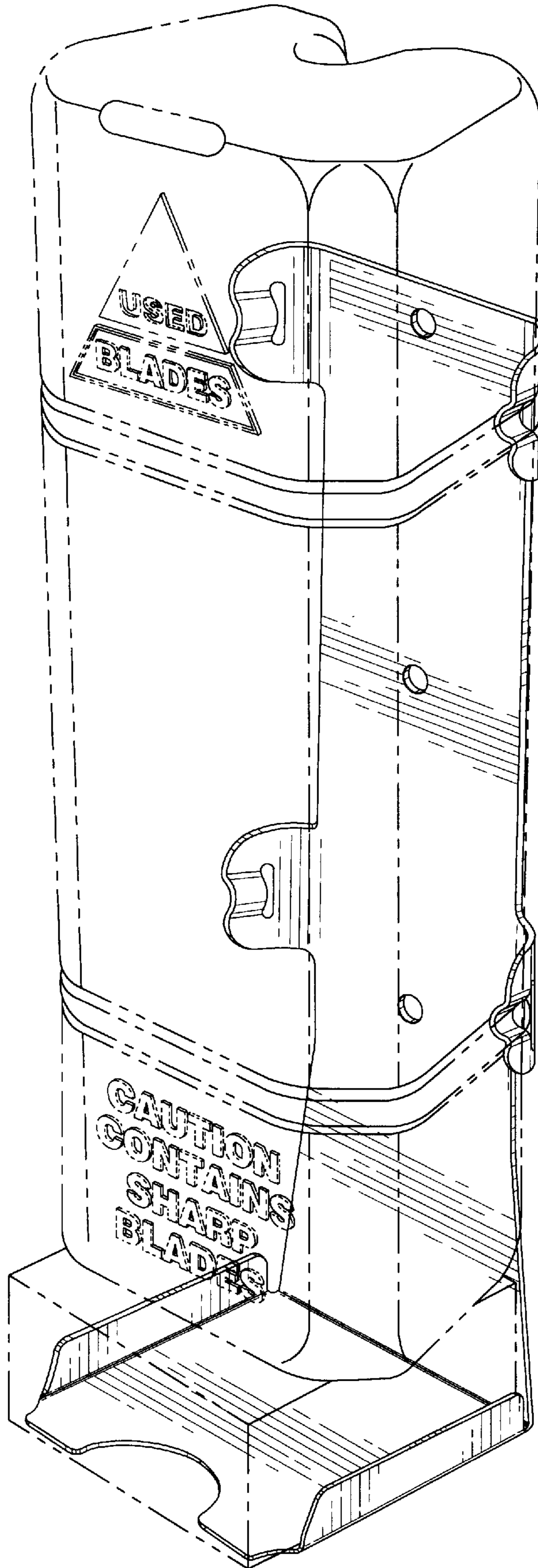


FIG. 2

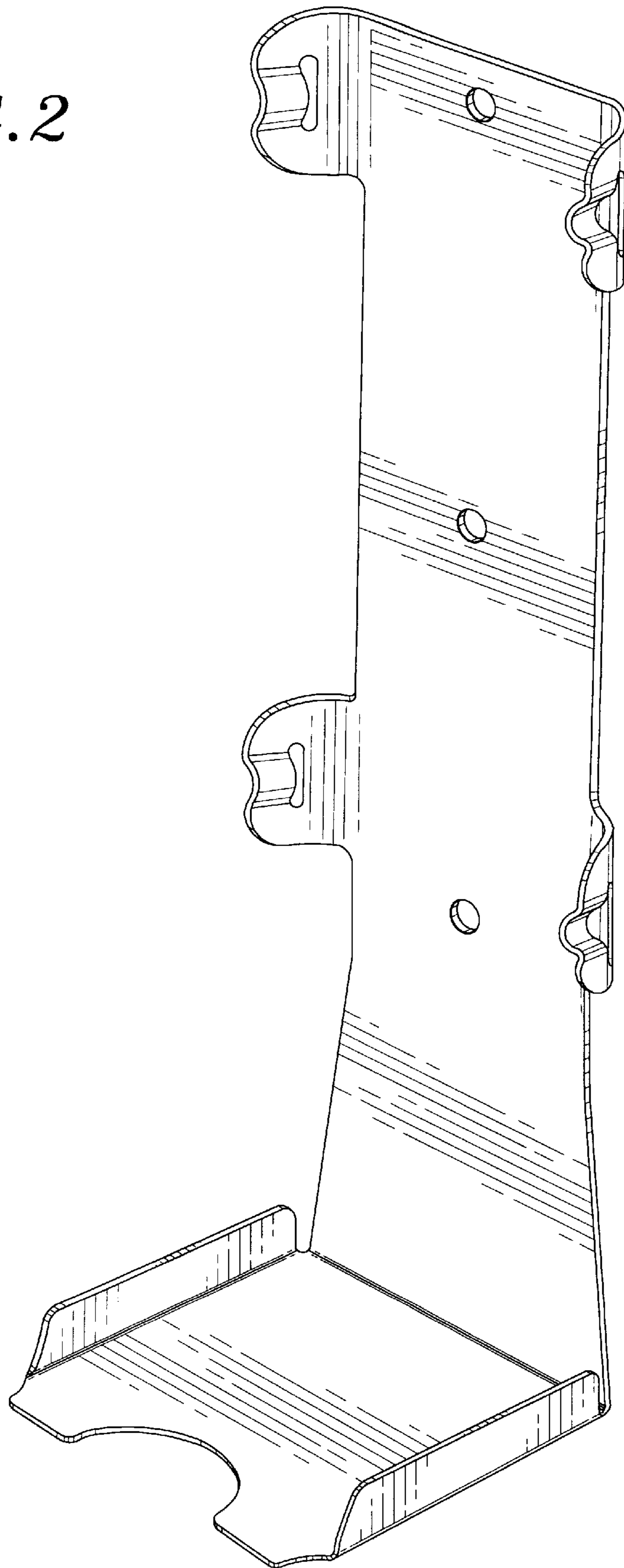


FIG. 3

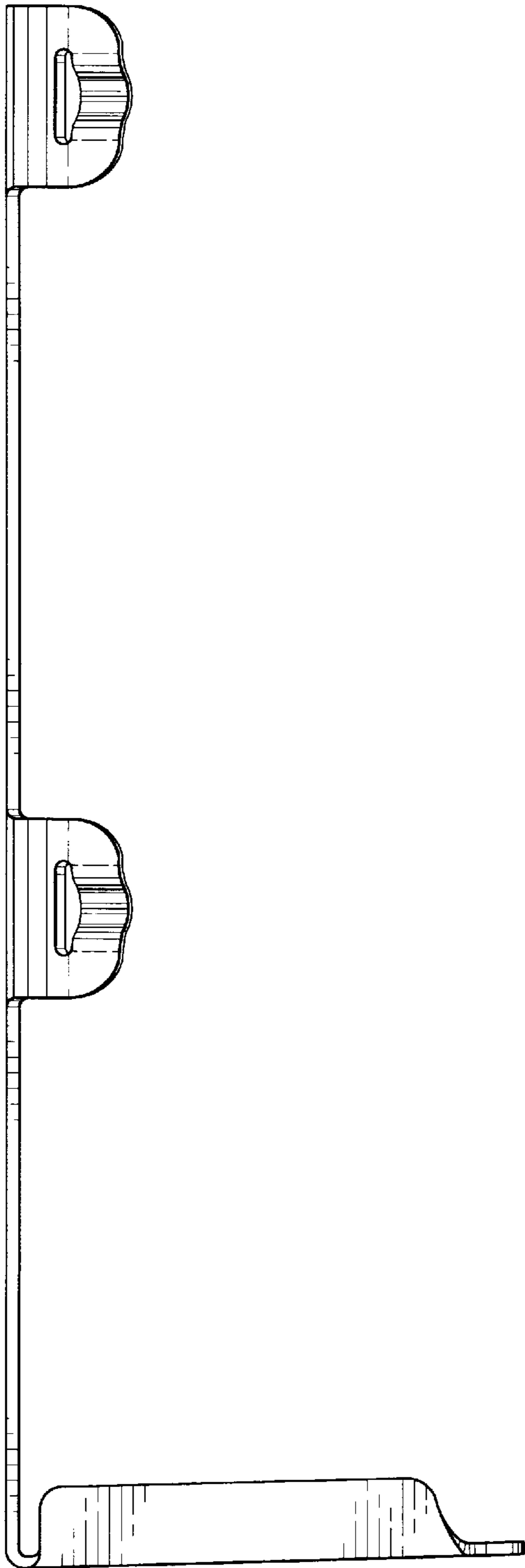


FIG. 4

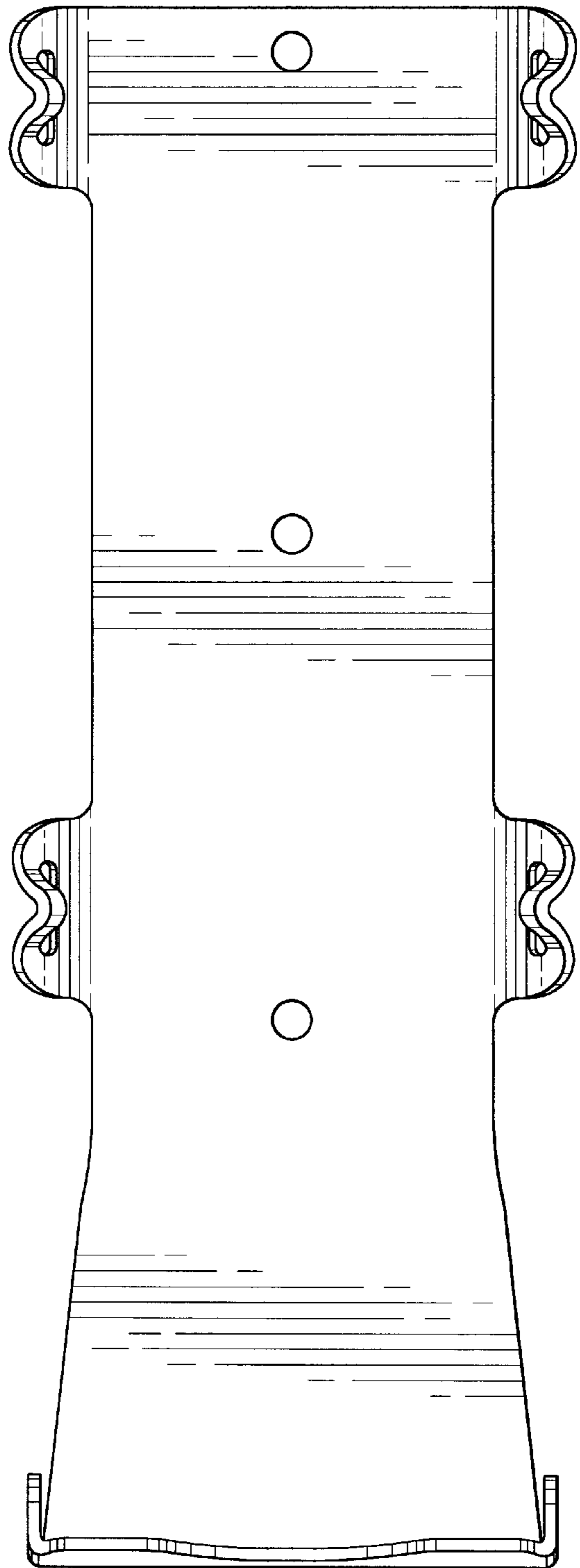


FIG. 5

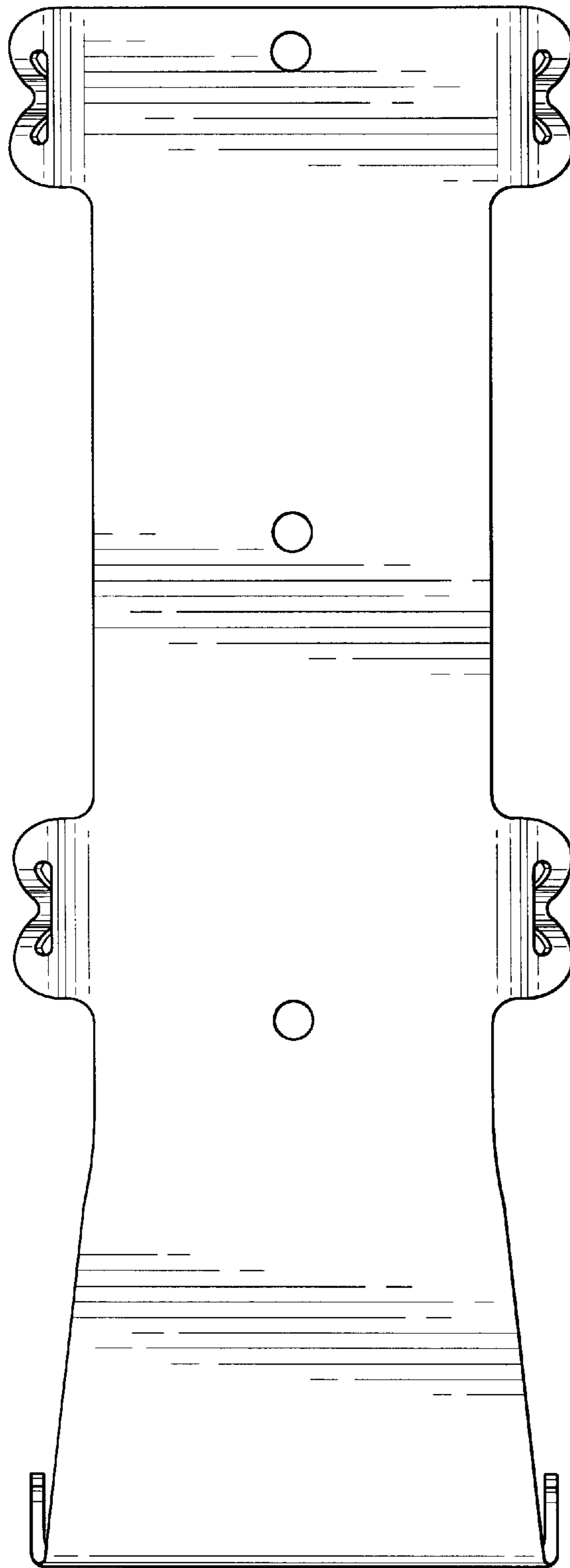


FIG. 6

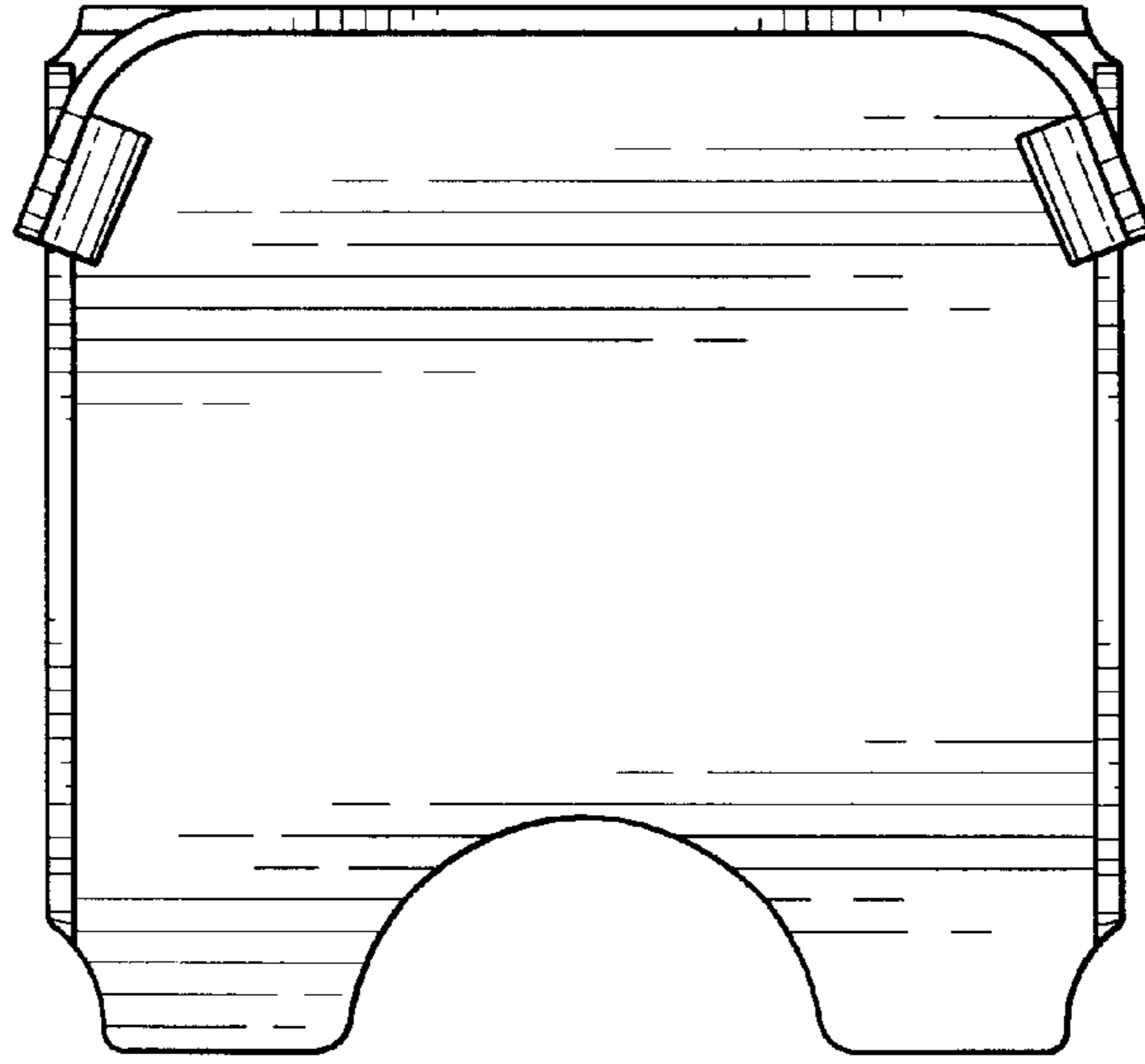
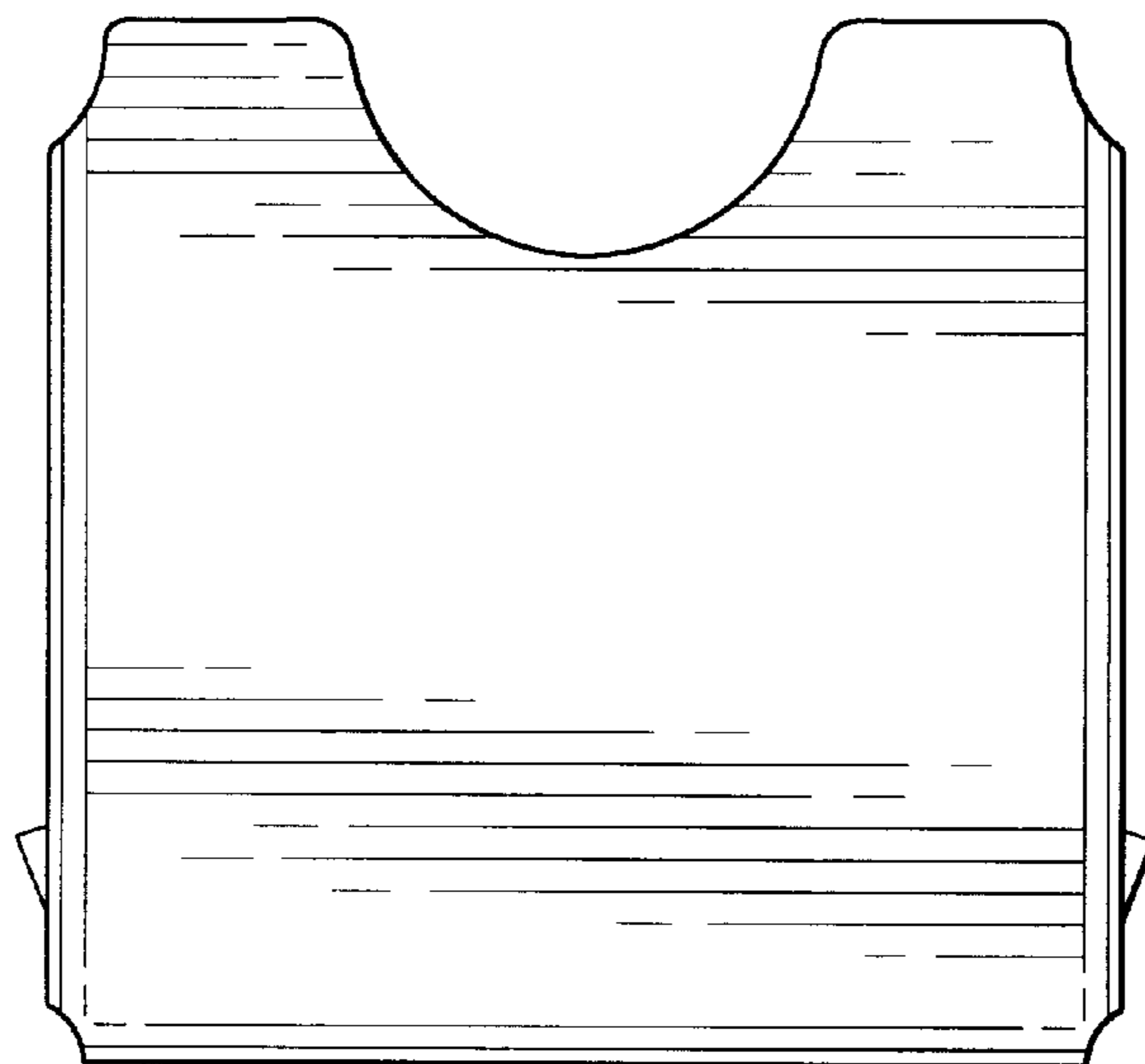


FIG. 7



UNITED STATES PATENT AND TRADEMARK OFFICE
CERTIFICATE OF CORRECTION

PATENT NO. : Des,429,864
DATED : August 22, 2000
INVENTOR(S) : G. Gerry Schmidt

Page 1 of 1

It is certified that error appears in the above-identified patent and that said Letters Patent is hereby corrected as shown below:

Title page.

Item 1, TITLE, replace "blade disposal apparatus" with -- holder unit for A blade disposal apparatus --.

Title page.

Item 2, CLAIM, replace "Blade Disposal Apparatus" with -- Holder Unit For A Blade Disposal Apparatus --.

Signed and Sealed this

Eighteenth Day of September, 2001

Attest:

Nicholas P. Godici

Attesting Officer

NICHOLAS P. GODICI
Acting Director of the United States Patent and Trademark Office