



US00D429858S

# United States Patent [19] Smith

[11] Patent Number: **Des. 429,858**

[45] Date of Patent: **\*\* Aug. 22, 2000**

[54] **SWIMMING POOL SKIMMER STRAINER**

6,007,714 12/1999 Keith ..... 210/169

[76] Inventor: **John J. Smith**, 1225 S. Ocean, Apt. 906, Delray Beach, Fla. 33483

*Primary Examiner*—Mitchell Siegel  
*Attorney, Agent, or Firm*—Salter & Michaelson

[\*\*] Term: **14 Years**

[57] **CLAIM**

[21] Appl. No.: **29/113,433**

The ornamental design for a swimming pool skimmer strainer, as shown and described.

[22] Filed: **Nov. 4, 1999**

**DESCRIPTION**

[51] **LOC (7) Cl.** ..... **15-05**

[52] **U.S. Cl.** ..... **D32/25**

[58] **Field of Search** ..... D32/25; D25/2;  
D6/432, 470, 471, 440; D15/83; 210/169,  
470, 474, 499; 4/496, 507, 508; 52/169.7,  
302.7, 514

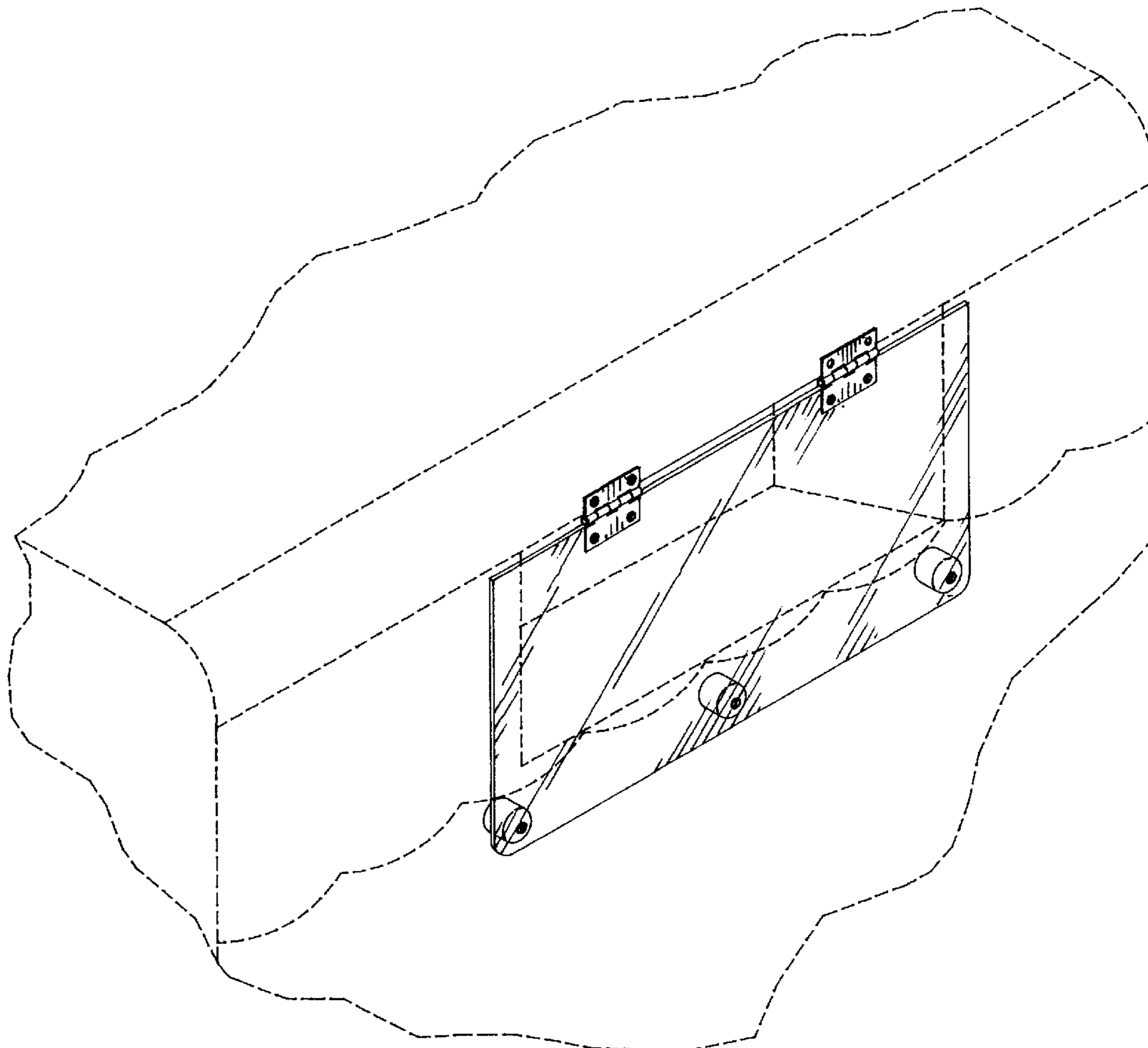
FIG. 1 is a perspective view of a swimming pool skimmer strainer showing my new design;  
FIG. 2 is a front elevational view thereof;  
FIG. 3 is a rear elevational view thereof;  
FIG. 4 is a top plan view thereof;  
FIG. 5 is a bottom plan view thereof;  
FIG. 6 is an edge view thereof looking from the right with respect to FIG. 1;  
FIG. 7 is an edge view thereof looking from the left with respect to FIG. 1; and,  
FIG. 8 is a perspective view thereof as mounted on a swimming pool.  
The broken lines in FIG. 8 are for information only and form no part of the instant design.

[56] **References Cited**

**U.S. PATENT DOCUMENTS**

D. 335,012	4/1993	Broussard	.....	D6/440
D. 368,603	4/1996	Ray	.....	D6/440
D. 374,948	10/1996	Mers	.....	D6/440
D. 374,998	10/1996	Ko	.....	D6/440
4,379,749	4/1983	Roth	.....	210/169
4,825,605	5/1989	Weir	.....	52/169
4,903,351	2/1990	Dengel et al.	.....	4/496

**1 Claim, 4 Drawing Sheets**



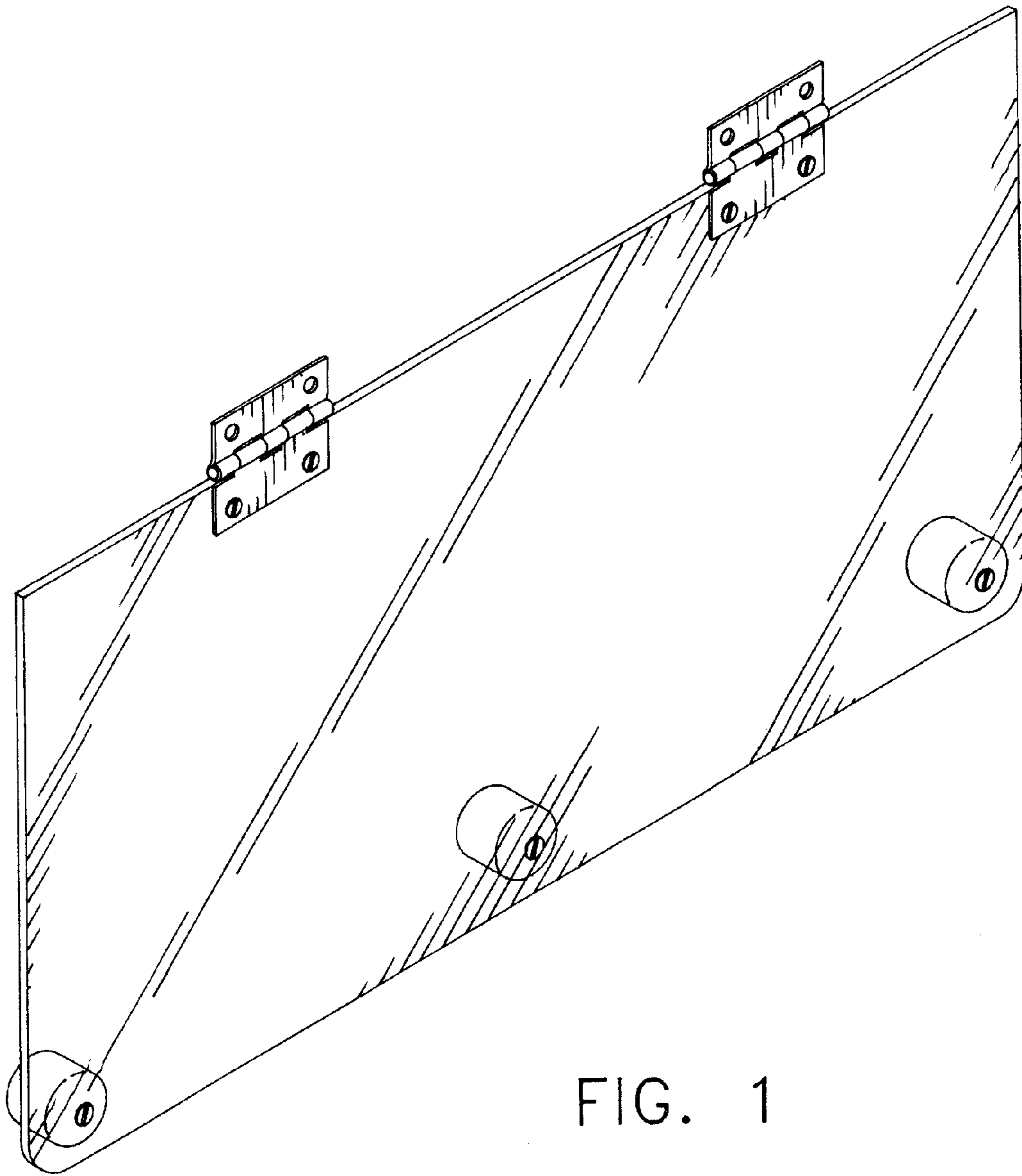


FIG. 1

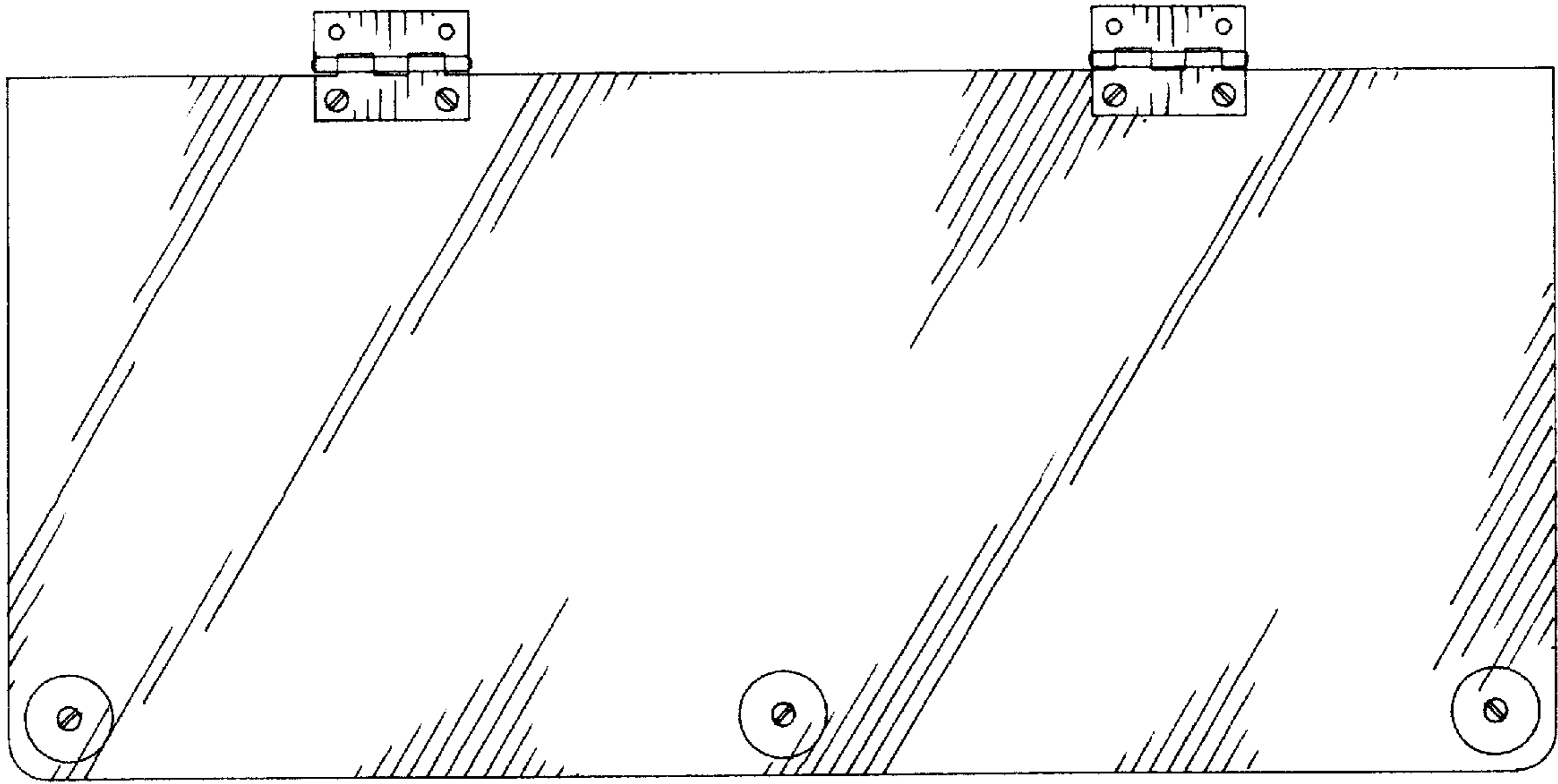


FIG. 2

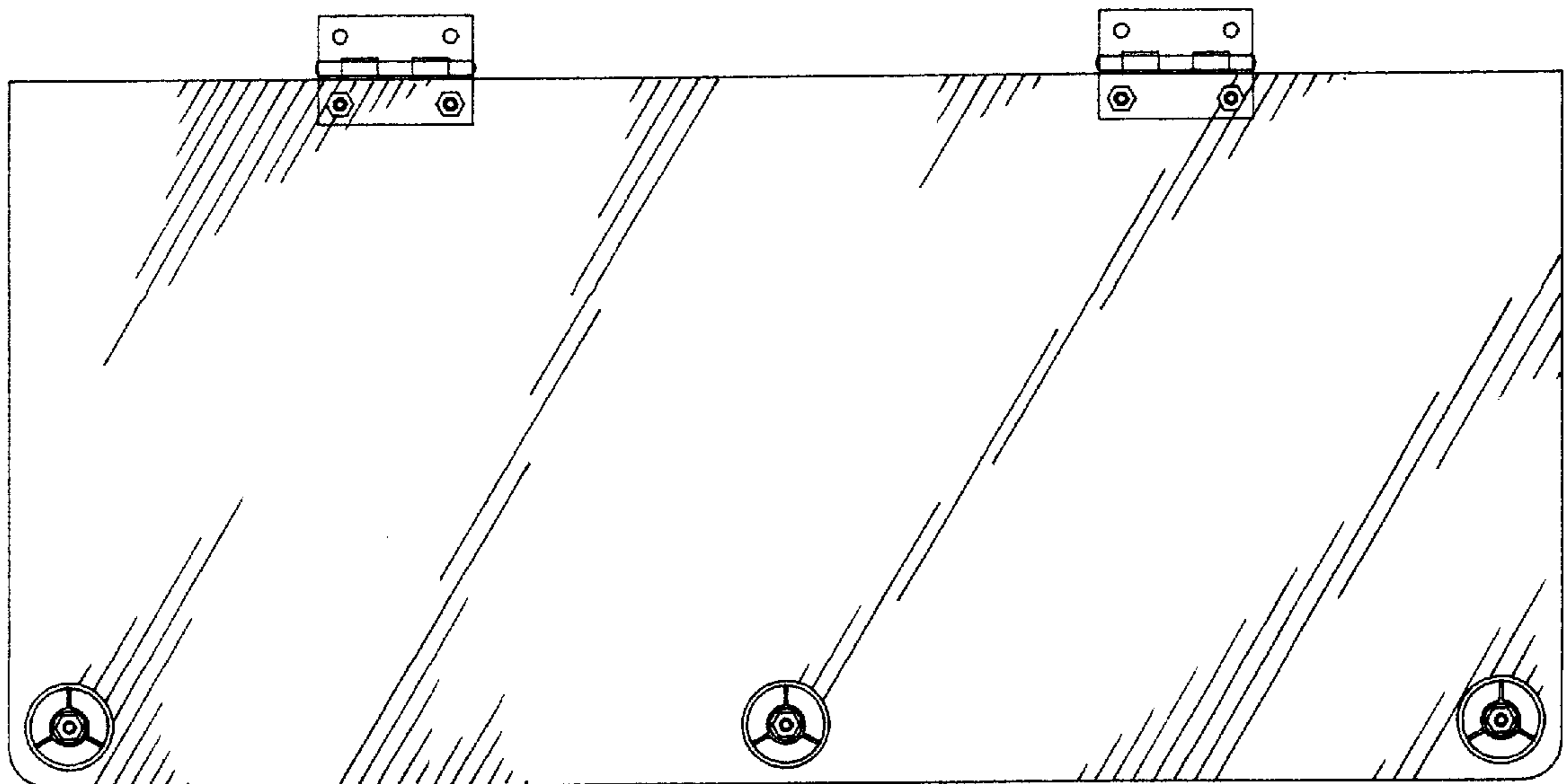


FIG. 3



FIG. 4



FIG. 5



FIG. 6

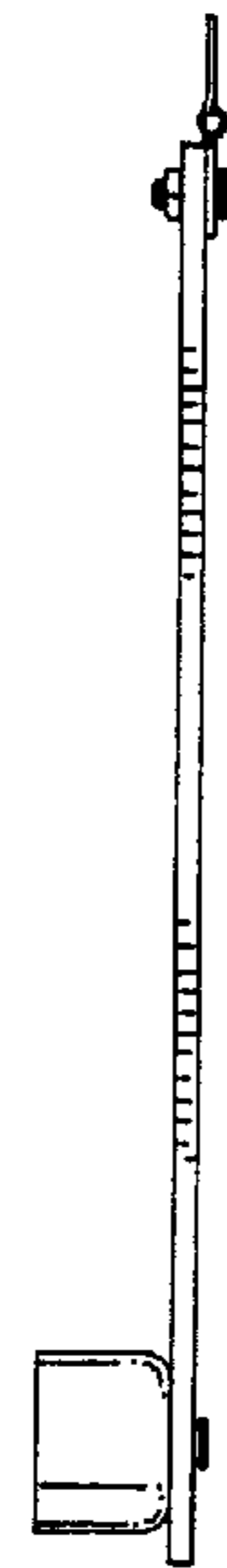


FIG. 7

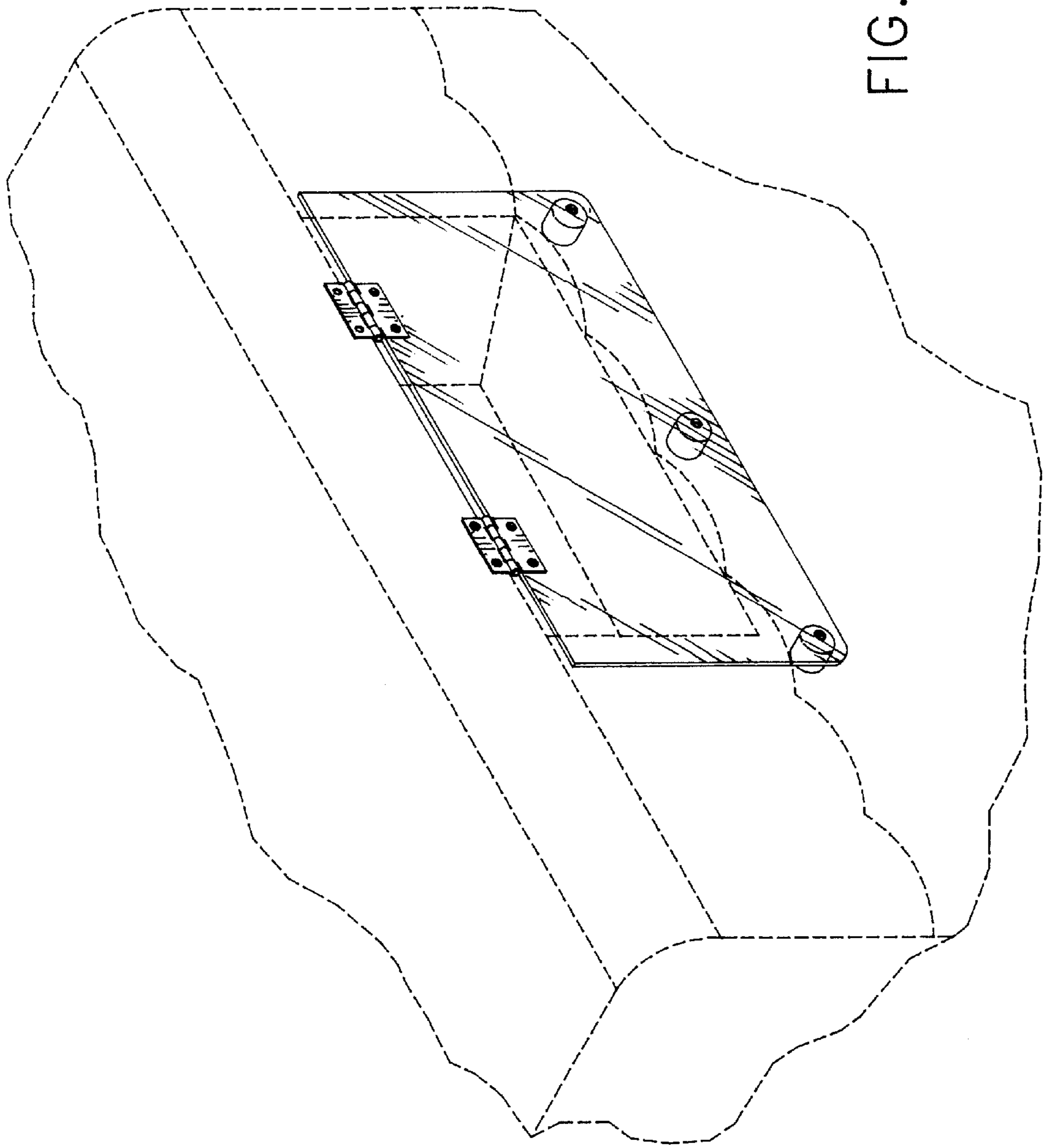


FIG. 8