



US00D429840S

United States Patent [19] Hsieh

[11] **Patent Number: Des. 429,840**

[45] **Date of Patent: ** Aug. 22, 2000**

[54] **TABLE LAMP**

[75] Inventor: **Freda Hsieh**, Taichung, Taiwan

[73] Assignee: **Whole Bright Industries Limited**,
Chai Wan, The Hong Kong Special
Administrative Region of the People's
Republic of China

[**] Term: **14 Years**

[21] Appl. No.: **29/114,339**

[22] Filed: **Nov. 23, 1999**

[51] **LOC (7) Cl. 26-03**

[52] **U.S. Cl. D26/106**

[58] **Field of Search D26/93-112; 362/110-114**

[56] **References Cited**

U.S. PATENT DOCUMENTS

- D. 112,457 12/1938 Bohme D26/108
- D. 407,522 3/1999 Hsu D26/108

OTHER PUBLICATIONS

Home Lighting & Accessories, p. 177, Lamp A, left side of page, Sep. 1997.

Primary Examiner—Lisa Lichtenstein
Attorney, Agent, or Firm—Rosenberg, Klein & Lee

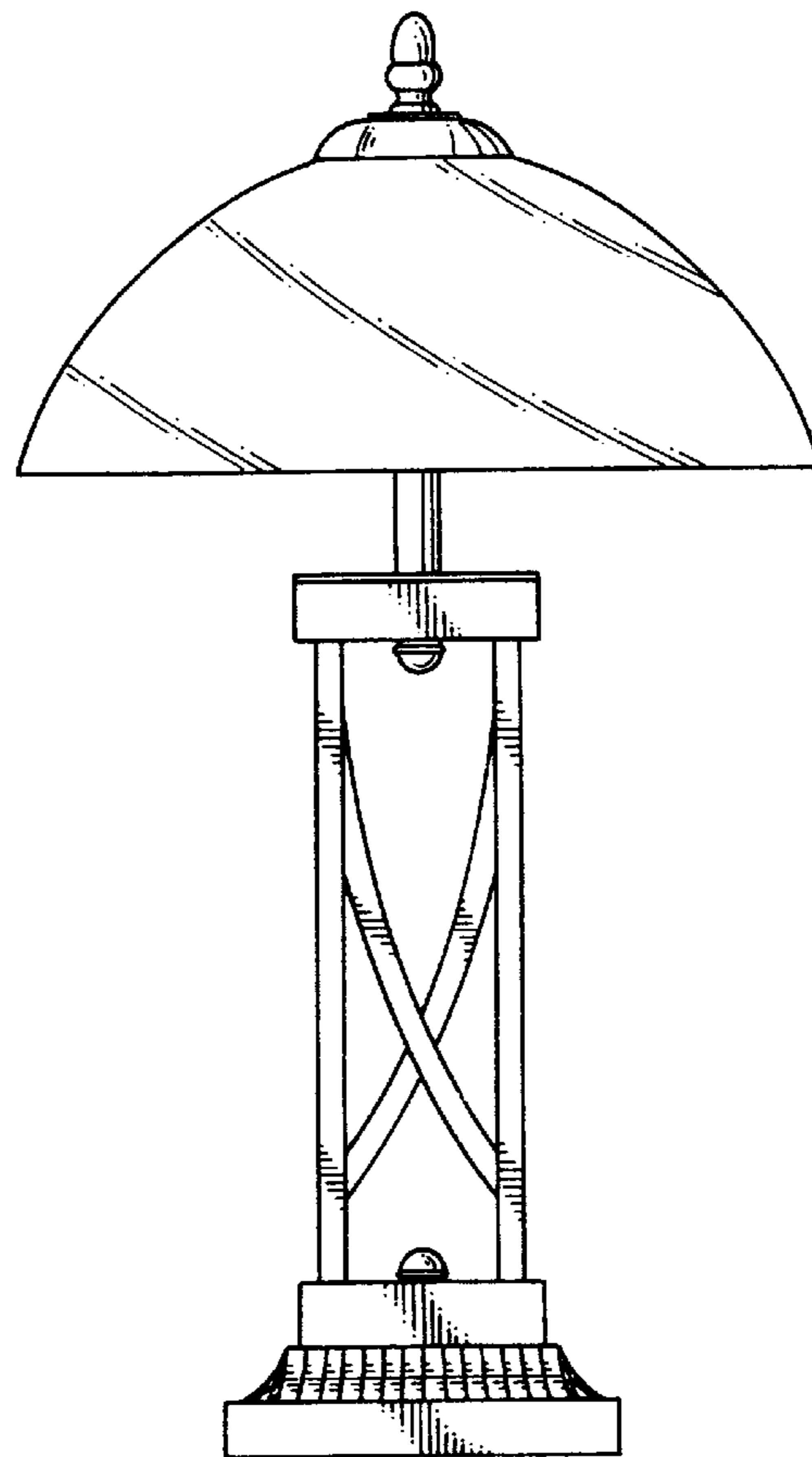
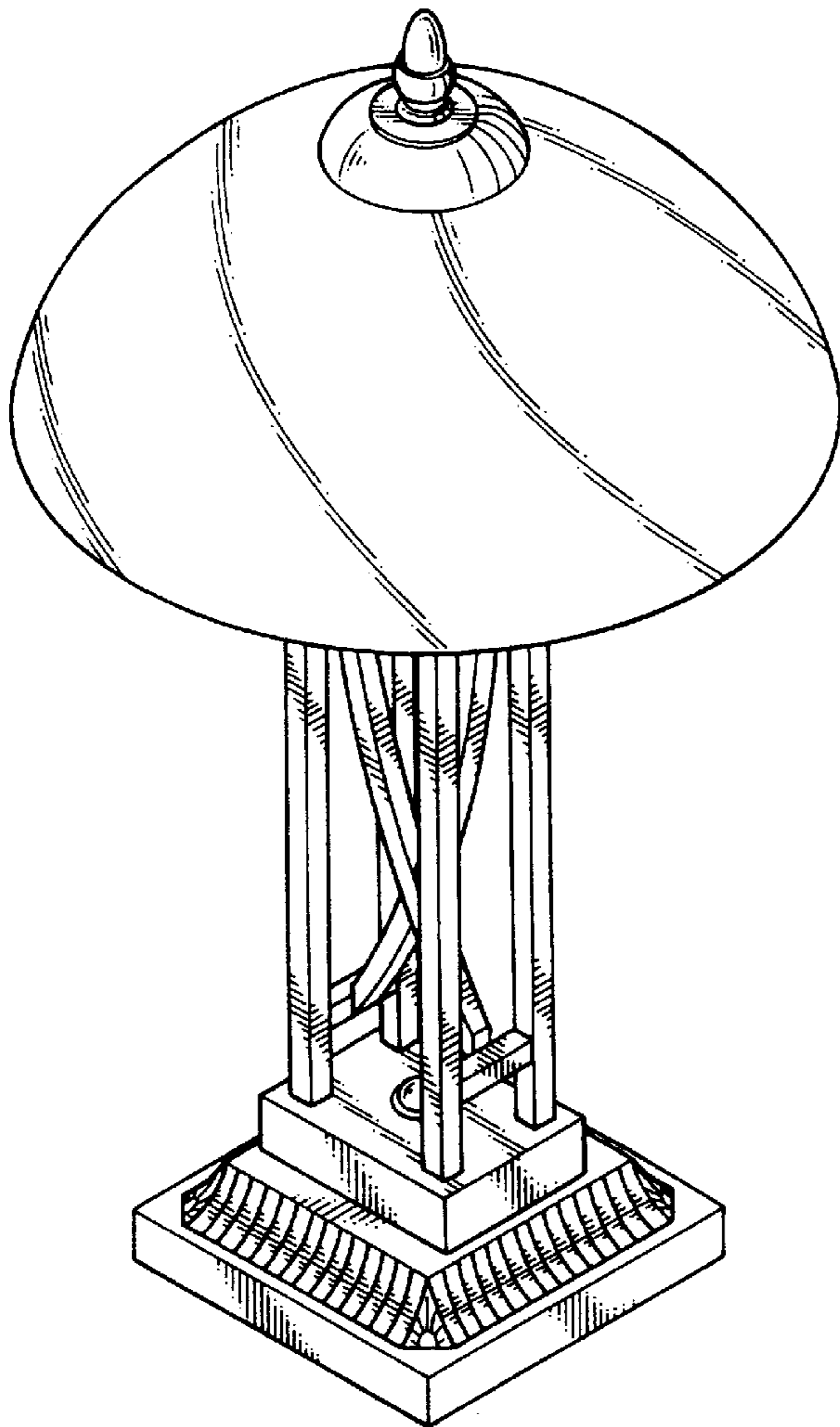
[57] **CLAIM**

The ornamental design for a table lamp, as shown and described.

DESCRIPTION

FIG. 1 is a perspective view of table lamp showing my new design;
FIG. 2 is a front elevation view thereof, the rear elevation view thereof being identical in appearance;
FIG. 3 is a left side elevation view thereof;
FIG. 4 is a right side elevation view thereof;
FIG. 5 is a top plan view thereof; and,
FIG. 6 is a bottom plan view thereof.

1 Claim, 3 Drawing Sheets



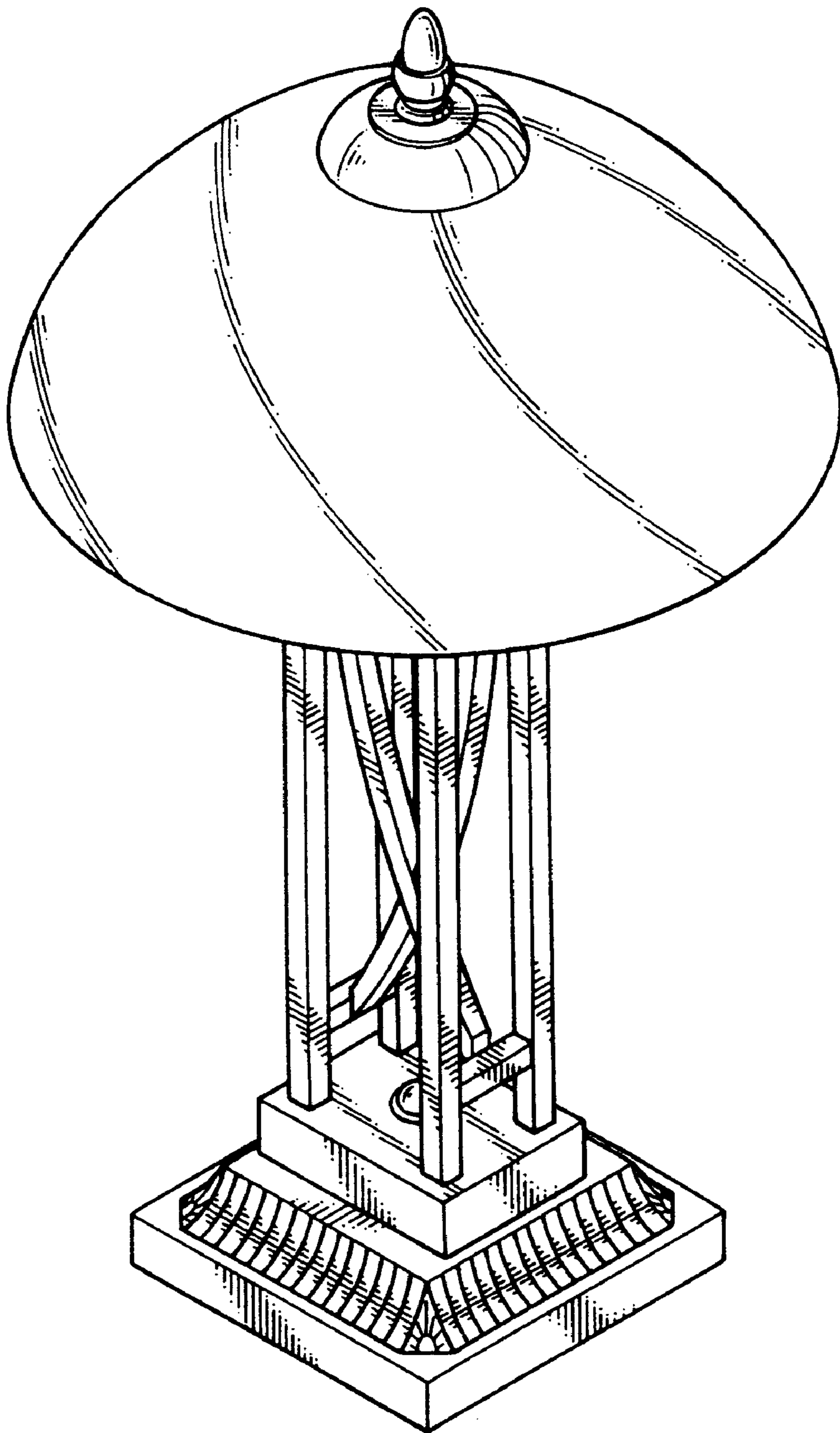


FIG. 1

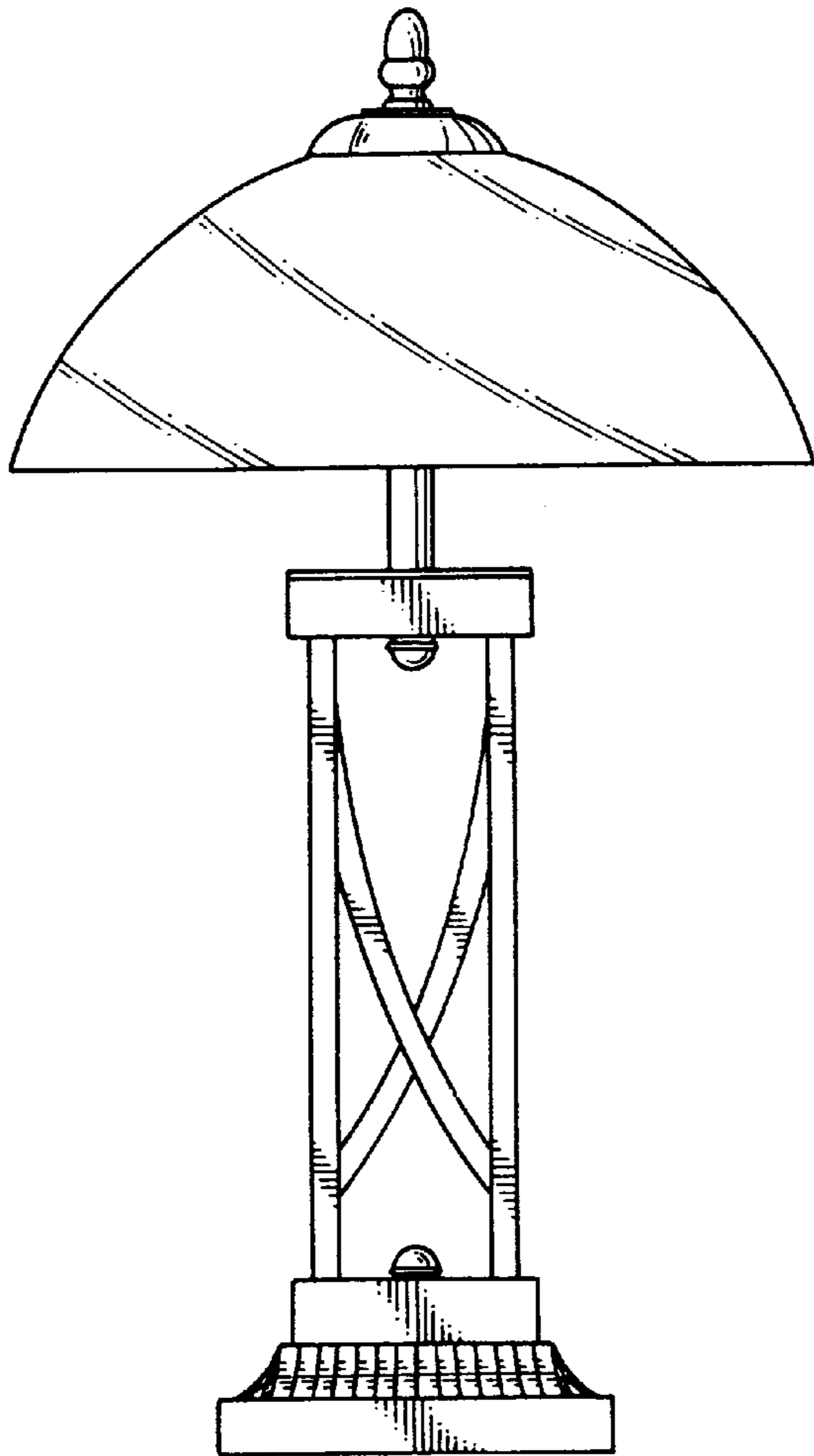


FIG. 2

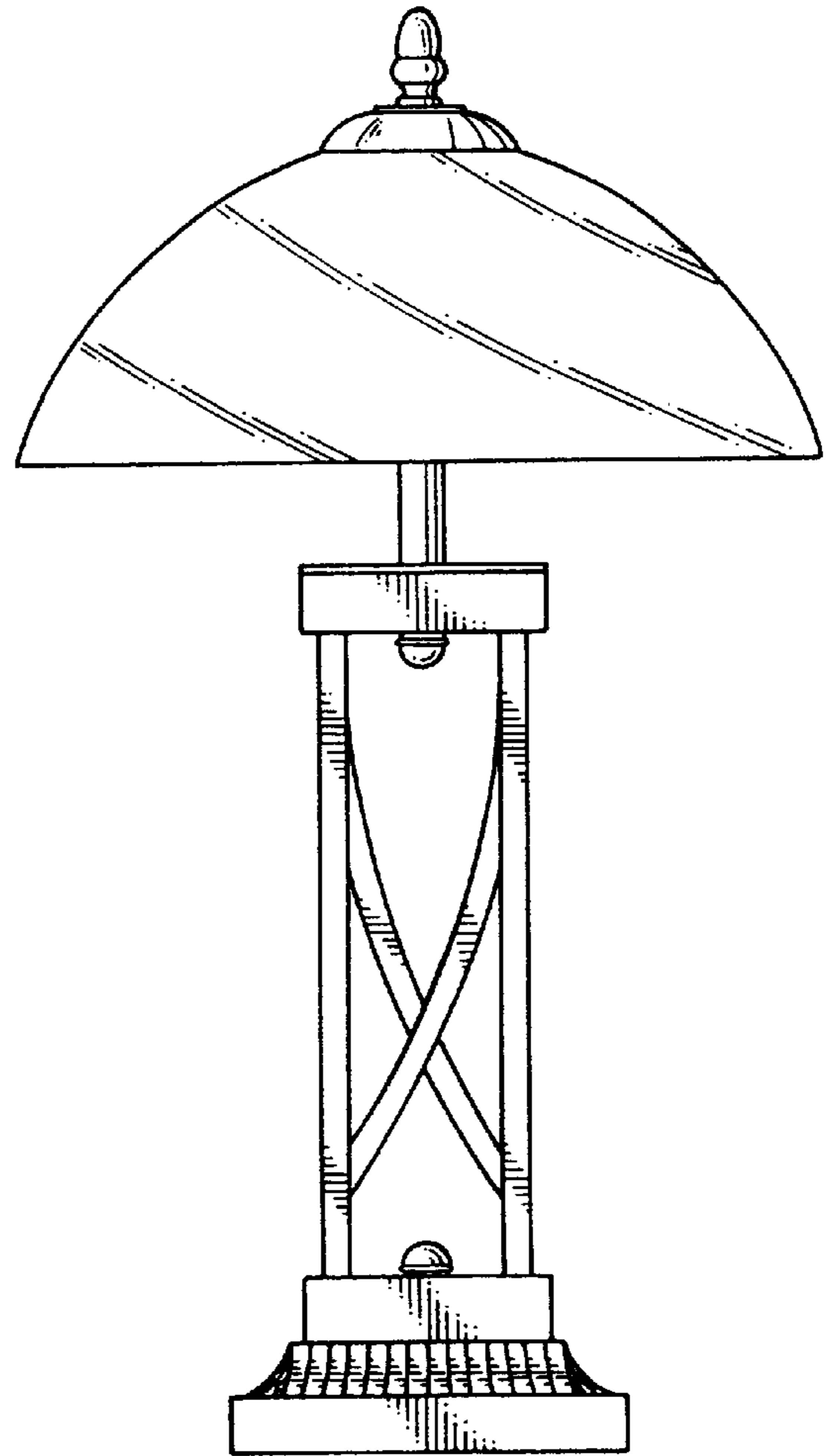


FIG. 3

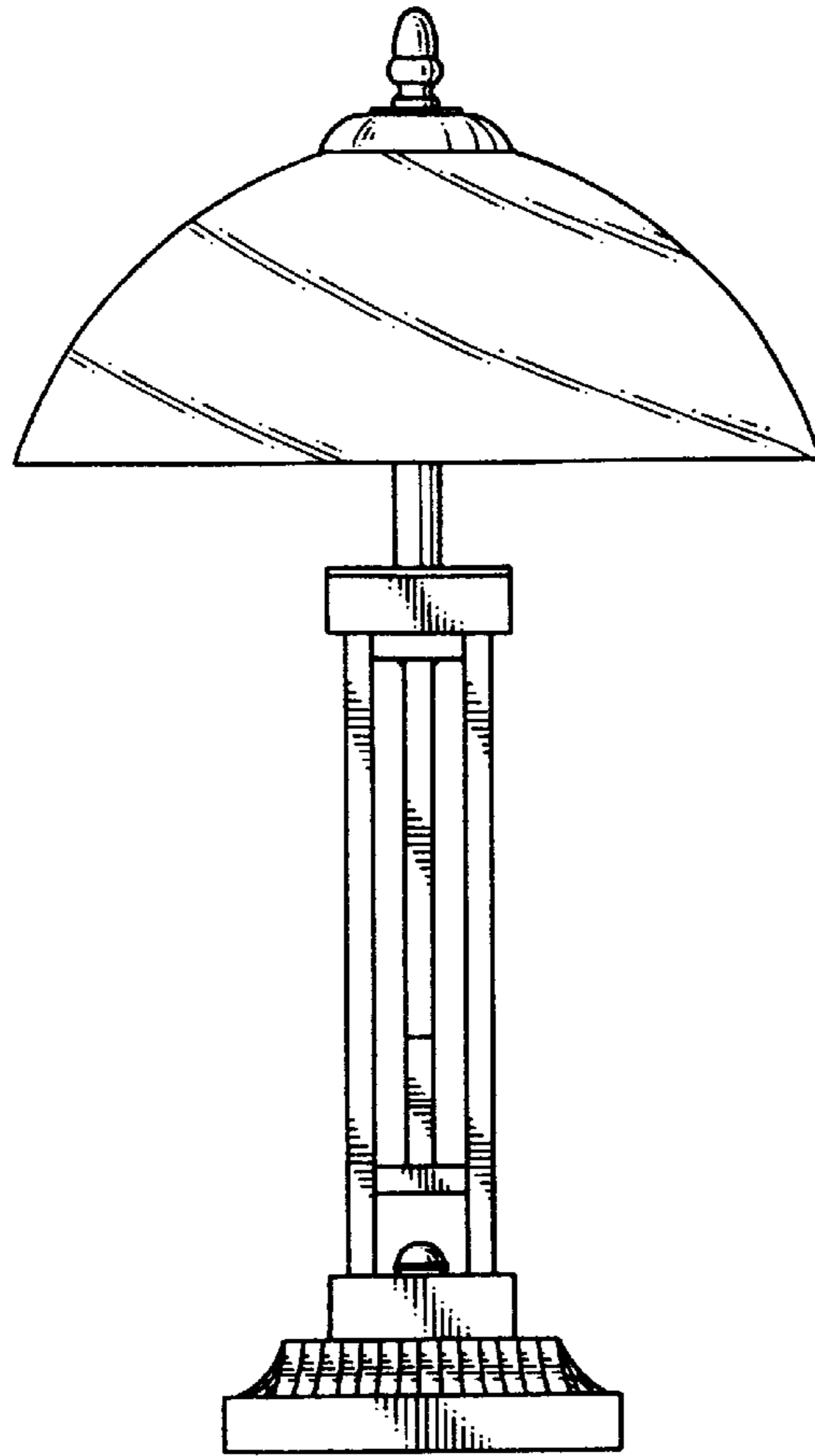


FIG. 4

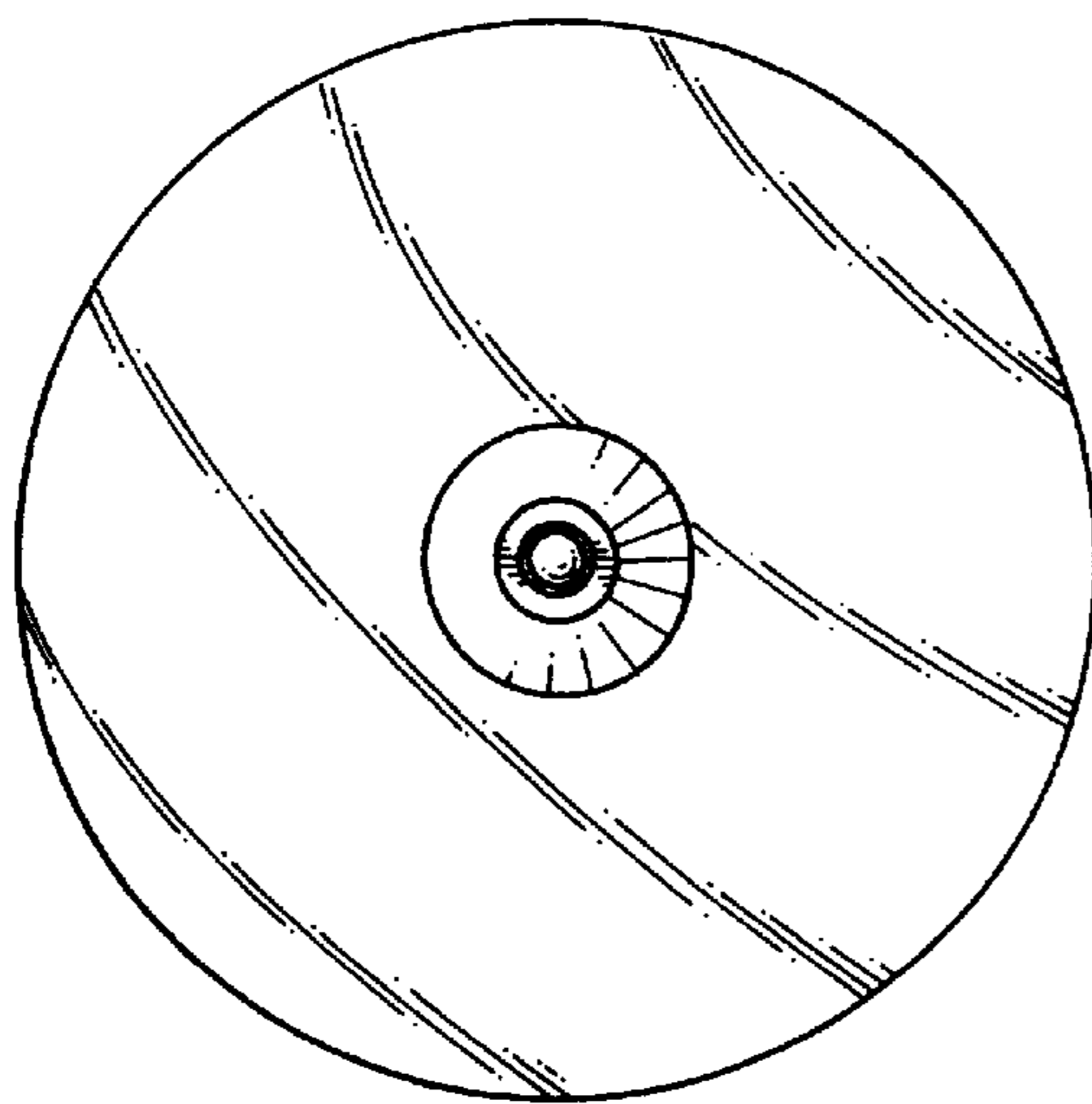


FIG. 5

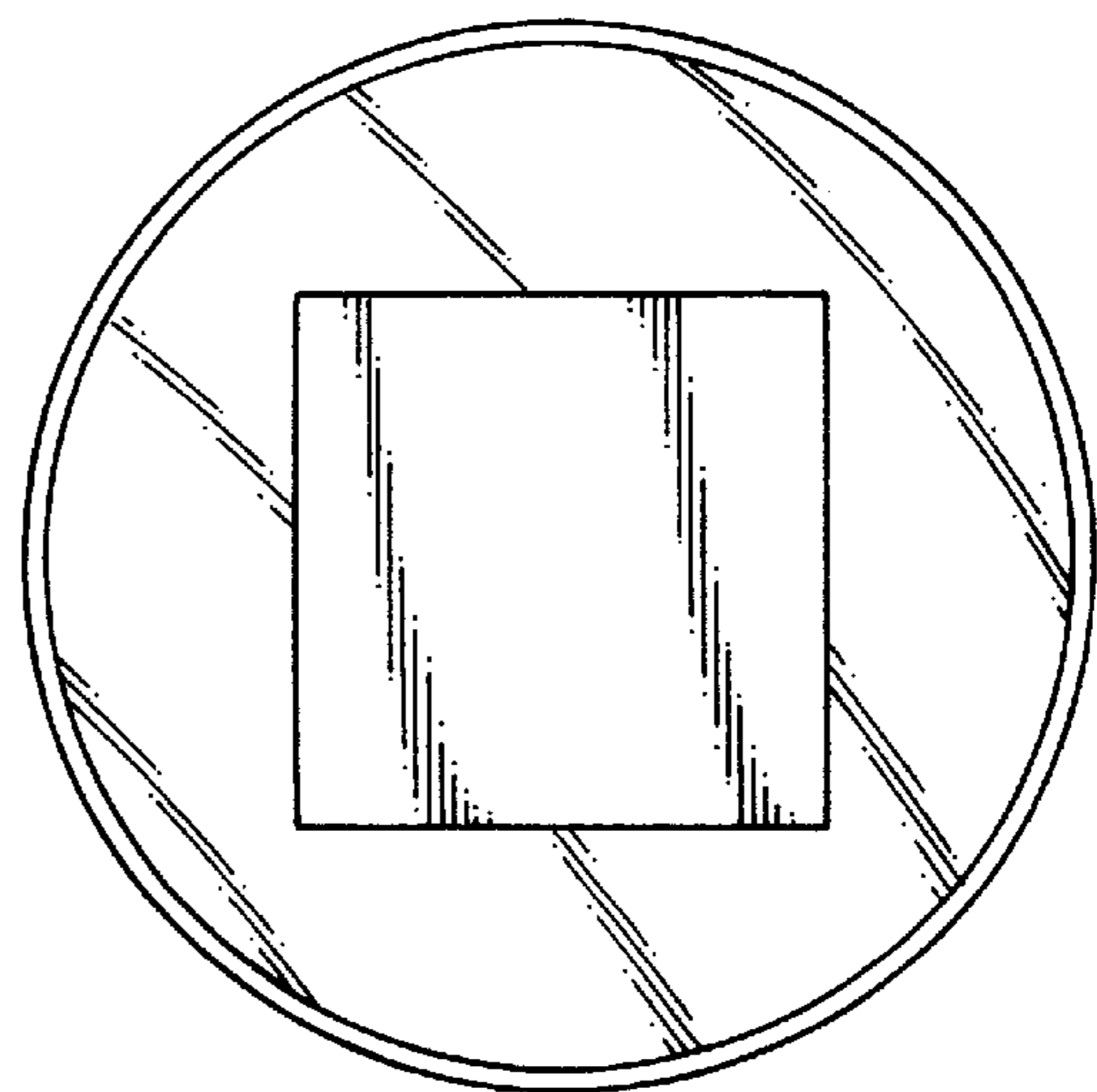


FIG. 6