



US00D429838S

**United States Patent** [19]  
**Hsieh**

[11] **Patent Number: Des. 429,838**

[45] **Date of Patent: \*\* Aug. 22, 2000**

[54] **TABLE LAMP (2)**

[75] Inventor: **Freda Hsieh**, Taichung, Taiwan

[73] Assignee: **Whole Bright Industries Limited**,  
Chai Wan, The Hong Kong Special  
Administrative Region of the People's  
Republic of China

[\*\*] Term: **14 Years**

[21] Appl. No.: **29/114,338**

[22] Filed: **Nov. 23, 1999**

[51] **LOC (7) Cl.** ..... **26-03**

[52] **U.S. Cl.** ..... **D26/94; D26/106**

[58] **Field of Search** ..... **D26/93-112; 362/410-414**

[56] **References Cited**

**PUBLICATIONS**

Taiwan Lighting, p. 127, Lamp (A), bottom right side of  
page, Aug. 1997.

*Primary Examiner*—Lisa Lichtenstein

*Attorney, Agent, or Firm*—Rosenberg, Klein & Lee

[57] **CLAIM**

The ornamental design for a table lamp (2), as shown and  
described.

**DESCRIPTION**

FIG. 1 is a perspective view of table lamp (2) showing my  
new design;

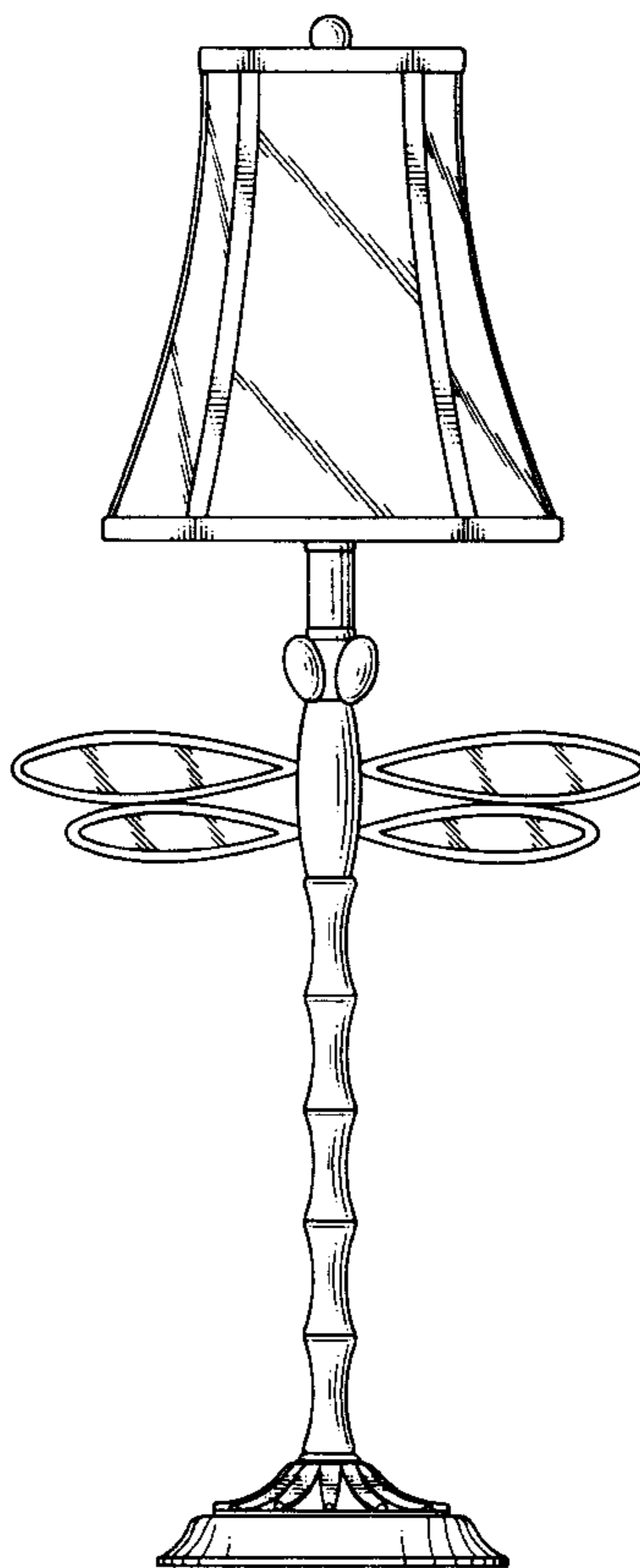
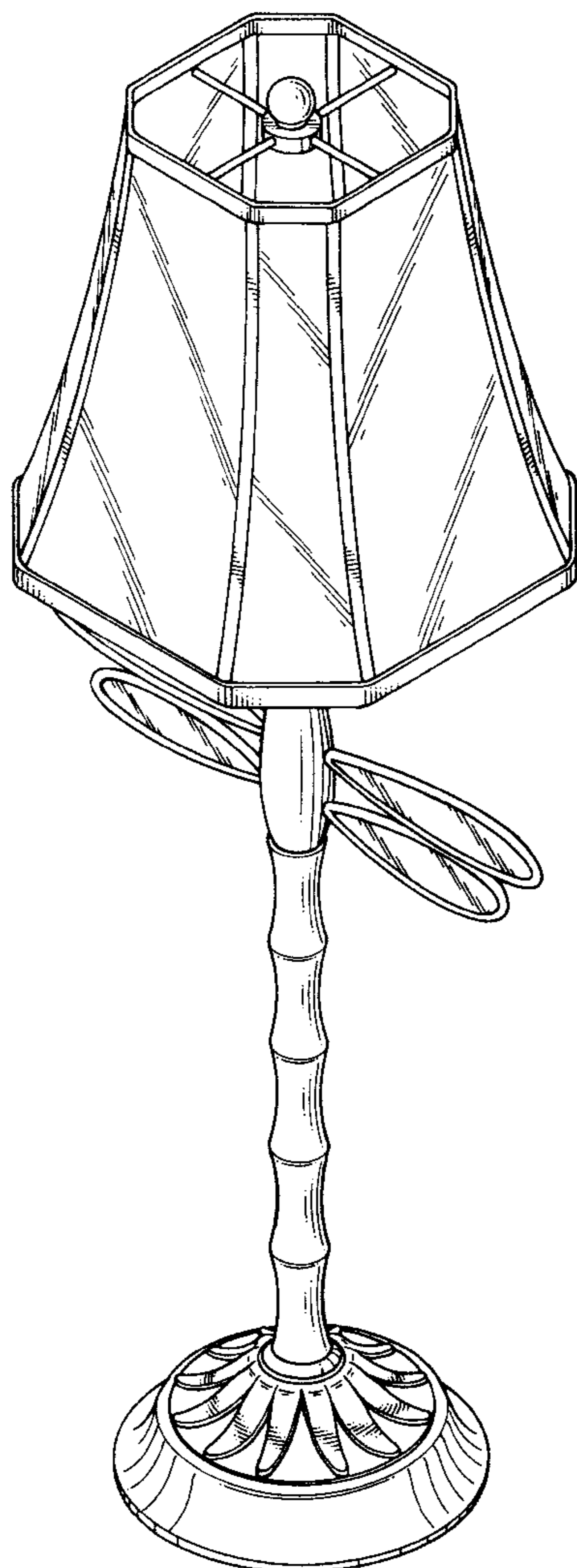
FIG. 2 is a front elevation view thereof, the rear elevation  
view thereof being identical in appearance;

FIG. 3 is a left side elevation view thereof, the right side  
elevation view thereof being identical in appearance;

FIG. 4 is a top plan view thereof; and,

FIG. 5 is a bottom plan view thereof.

**1 Claim, 3 Drawing Sheets**



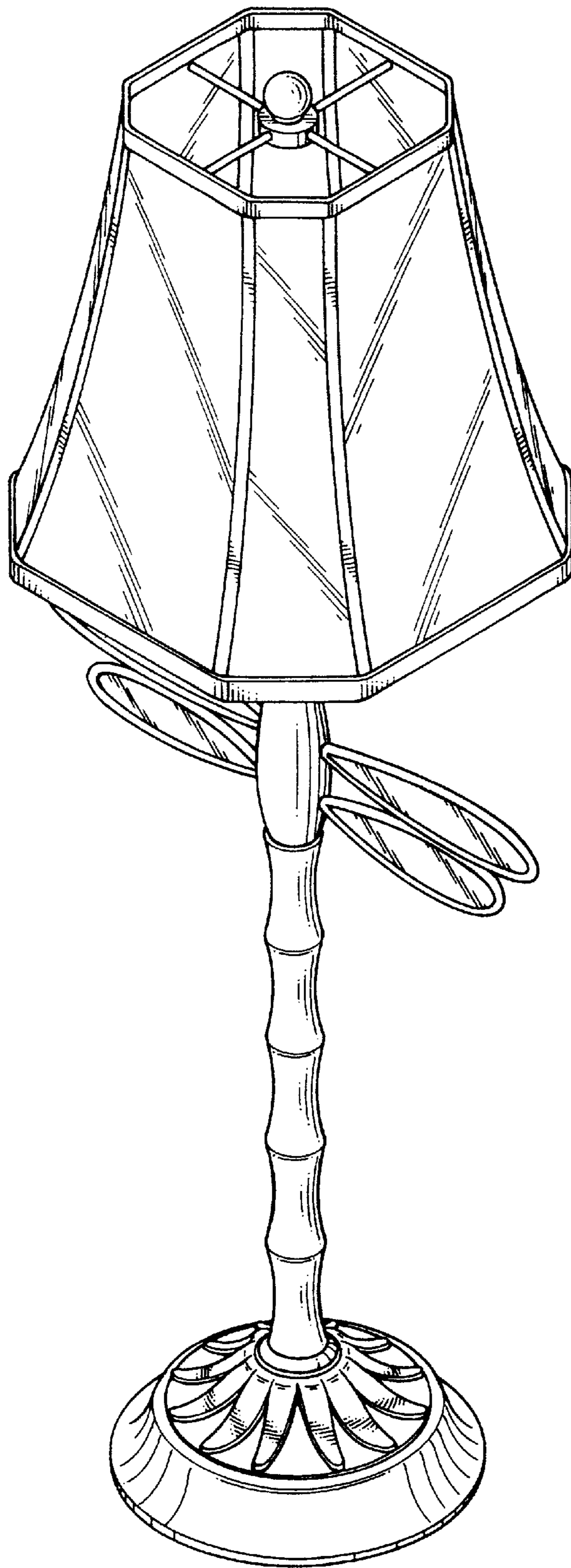


FIG. 1

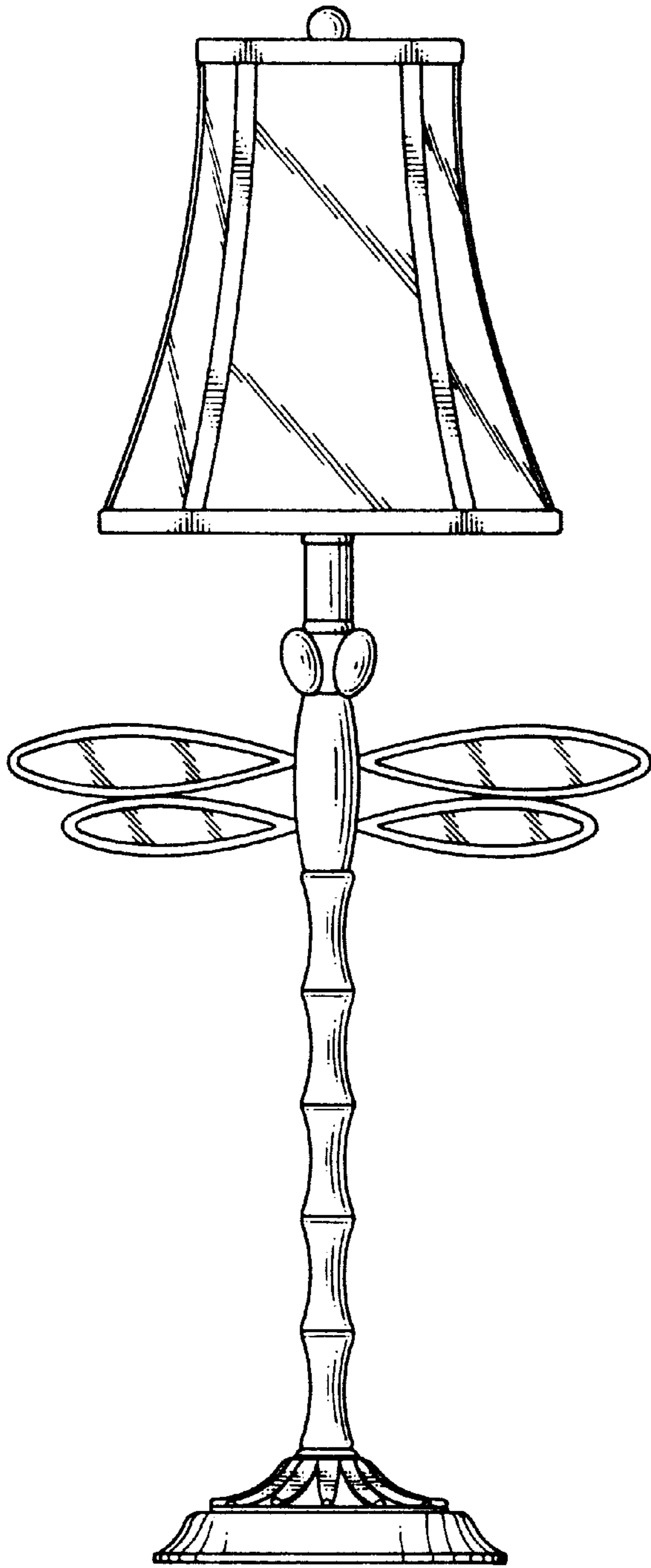


FIG. 2

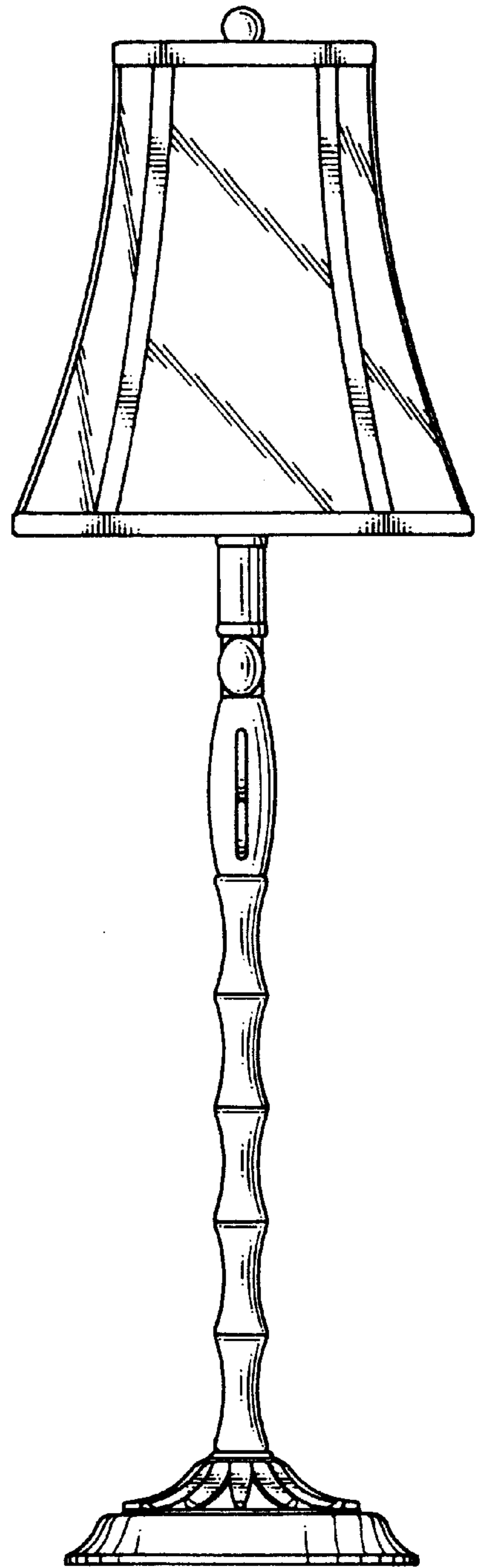


FIG. 3

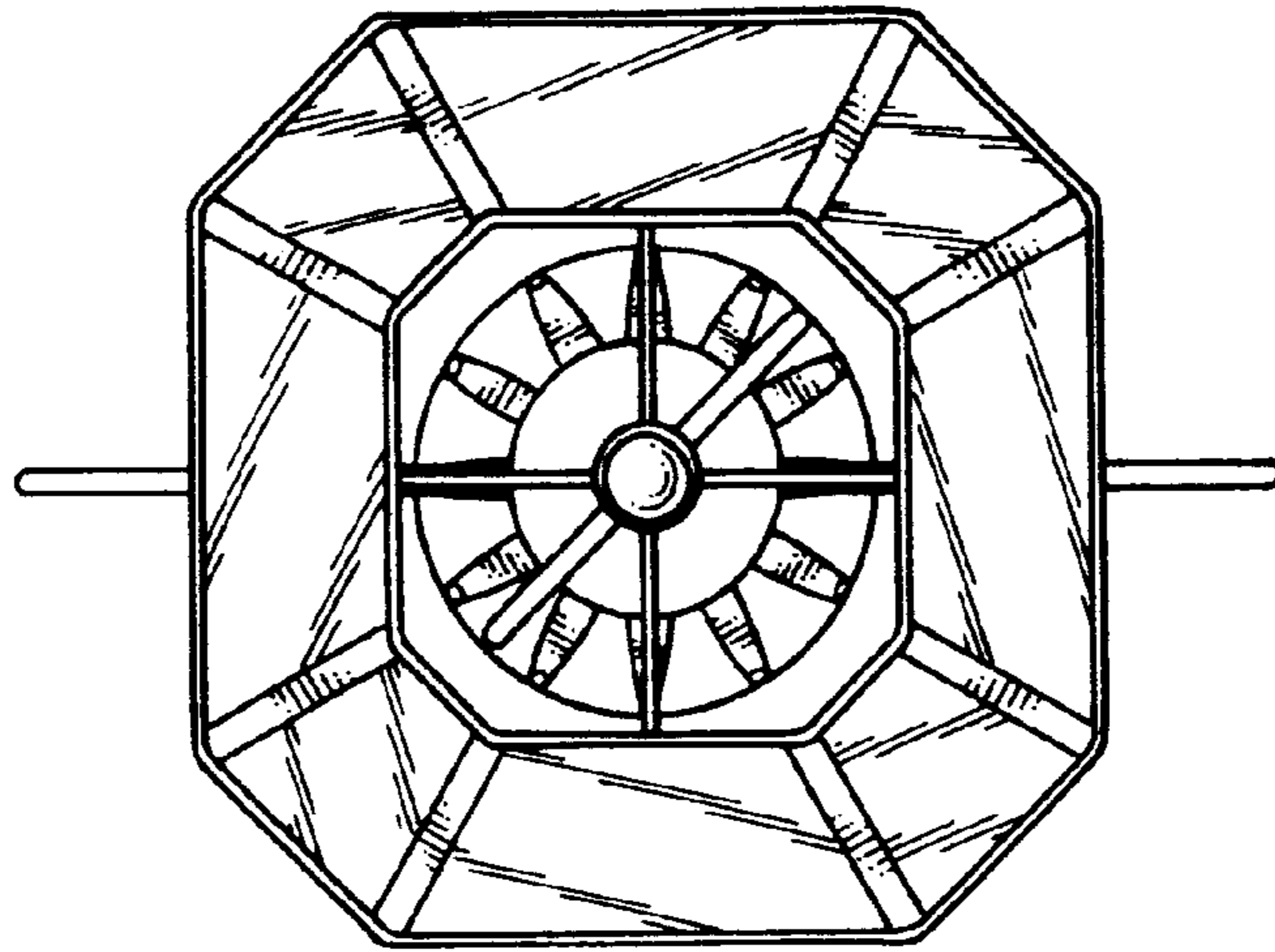


FIG. 4

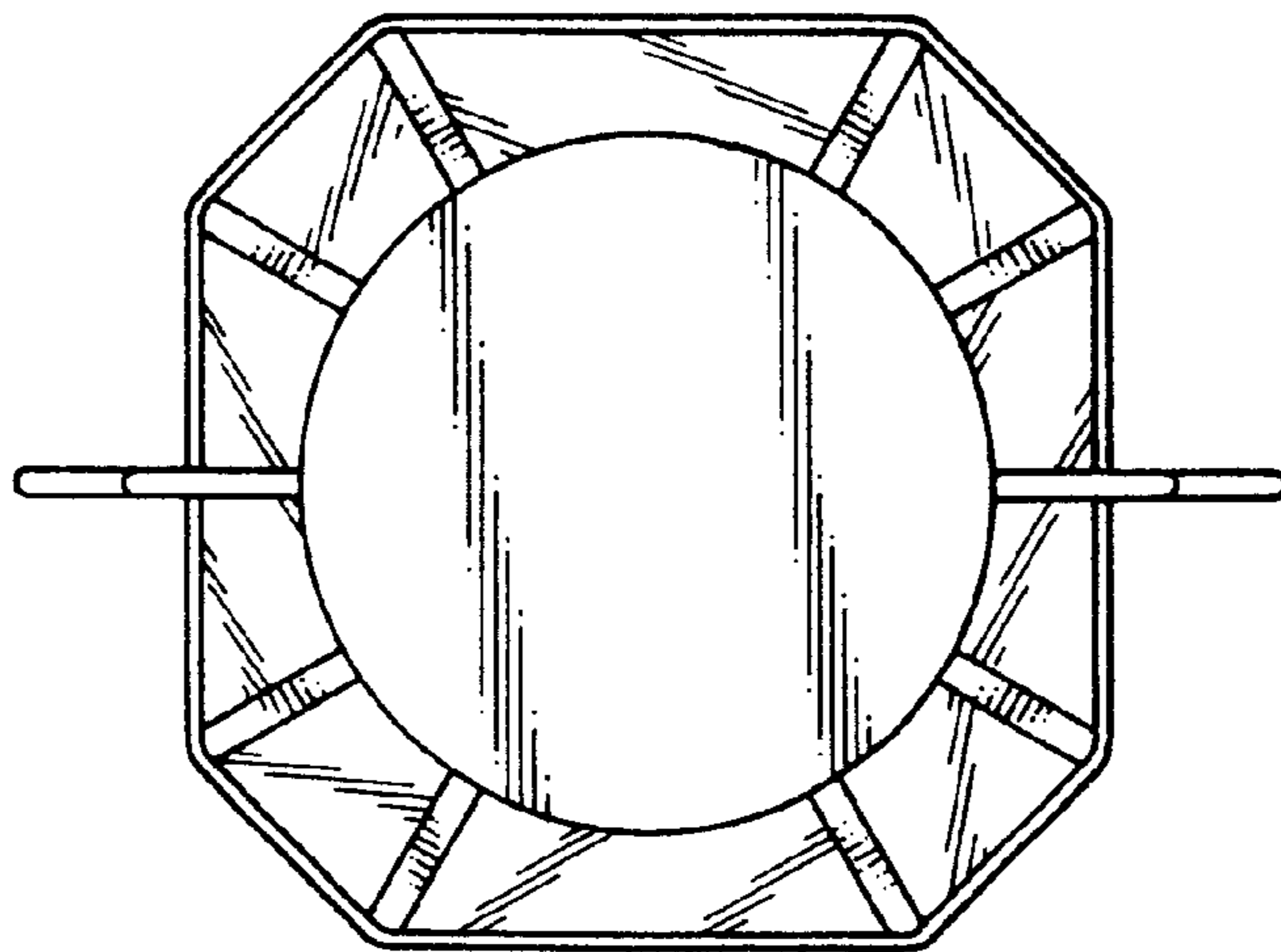


FIG. 5