



US00D429836S

# United States Patent [19] Hammar

[11] **Patent Number: Des. 429,836**

[45] **Date of Patent: \*\* Aug. 22, 2000**

[54] **LIGHTING FIXTURE**

[75] Inventor: **Richard Hammar**, Mentor, Ohio

[73] Assignee: **The L.D. Kichler Co.**, Cleveland, Ohio

[\*\*] Term: **14 Years**

[21] Appl. No.: **29/113,401**

[22] Filed: **Nov. 4, 1999**

[51] **LOC (7) Cl.** ..... **26-05**

[52] **U.S. Cl.** ..... **D26/84; D26/156**

[58] **Field of Search** ..... D26/72, 80-92,  
D26/142, 143, 149, 156; 362/147, 404-408

[56] **References Cited**

**U.S. PATENT DOCUMENTS**

D. 371,863	7/1996	Ruiz	.....	D26/156
D. 419,712	1/2000	Bleisch	.....	D26/73
D. 421,506	3/2000	Perenzin	.....	D26/87

**OTHER PUBLICATIONS**

Corbett lighting catalog, 1992, p. 15, pendant lamp #1823.

*Primary Examiner*—Susan J. Lucas  
*Attorney, Agent, or Firm*—Watts, Hoffmann, Fisher & Heinke, Co., LPA

[57] **CLAIM**

I claim the ornamental design for a lighting fixture, as shown and described.

**DESCRIPTION**

FIG. 1 is a perspective view of the lighting fixture showing my new design;

FIG. 2 is a front elevational view of the lighting fixture, the rear elevational view being a mirror image;

FIG. 3 is a right side elevational view of the lighting fixture;

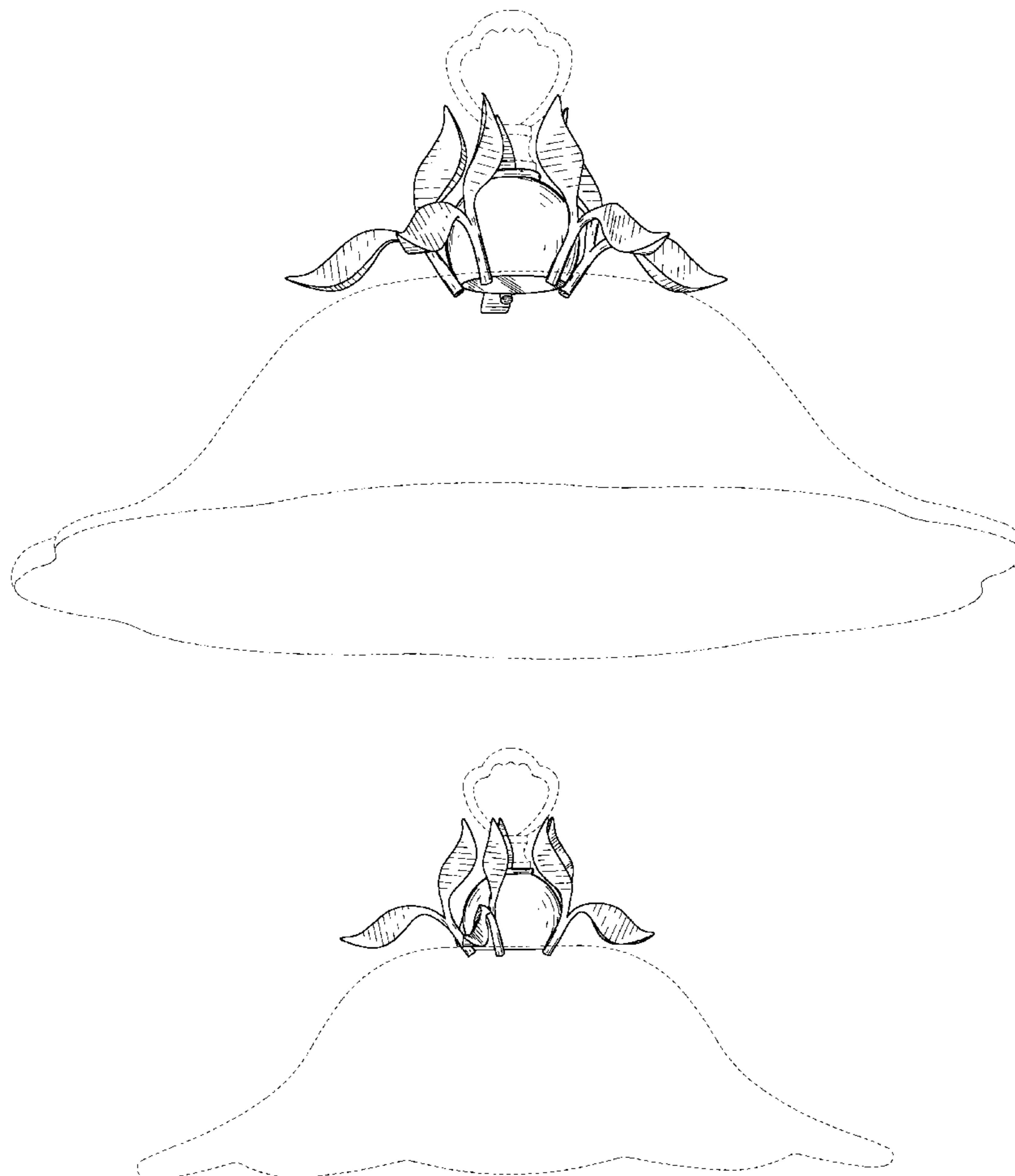
FIG. 4 is a left side elevational view of the lighting fixture;

FIG. 5 is a top plan view of the lighting fixture; and,

FIG. 6 is a bottom plan view of the lighting fixture.

The broken lines shown are for illustrative purposes only and form no part of the claimed design.

**1 Claim, 4 Drawing Sheets**



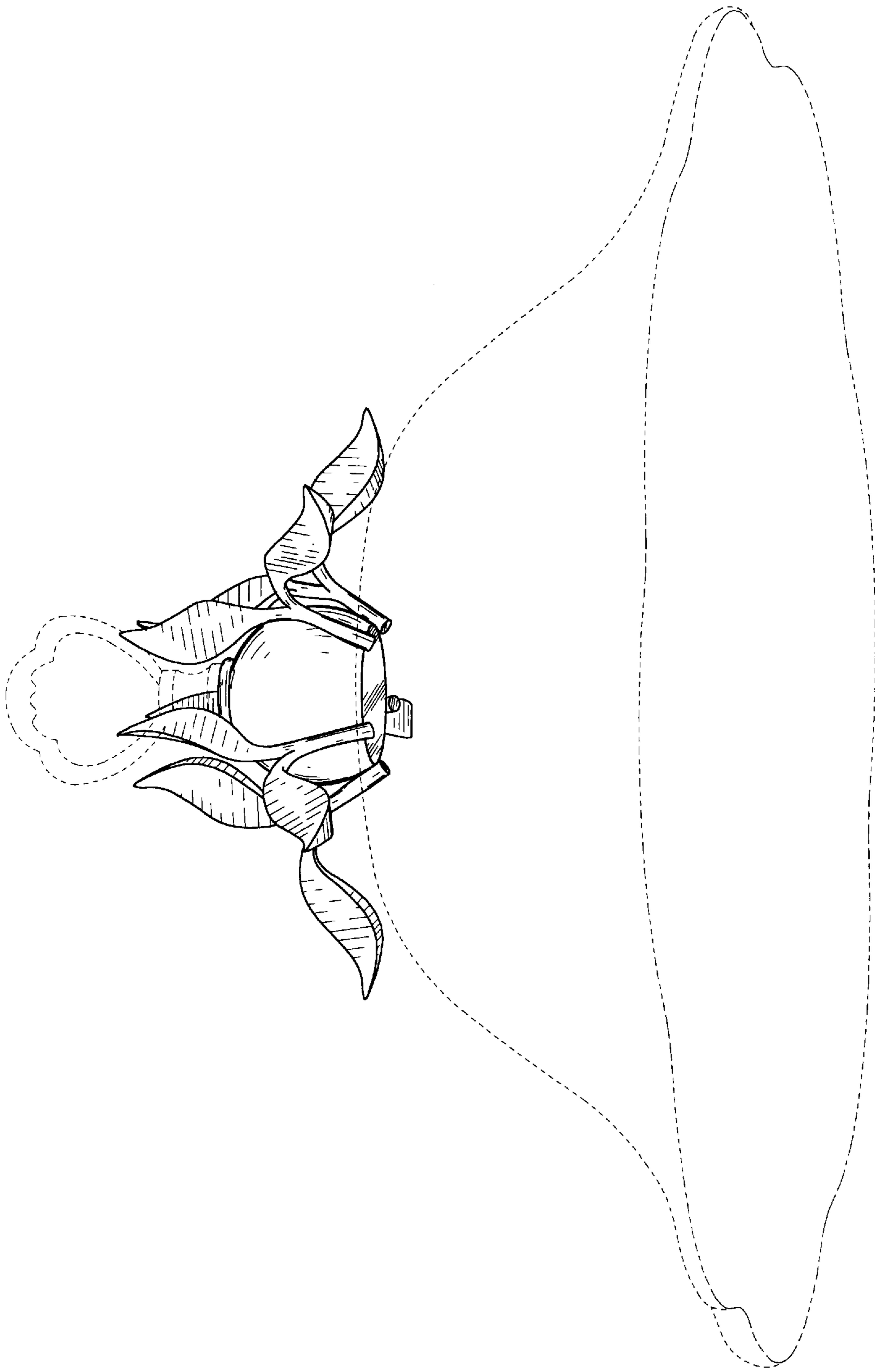


Fig.1

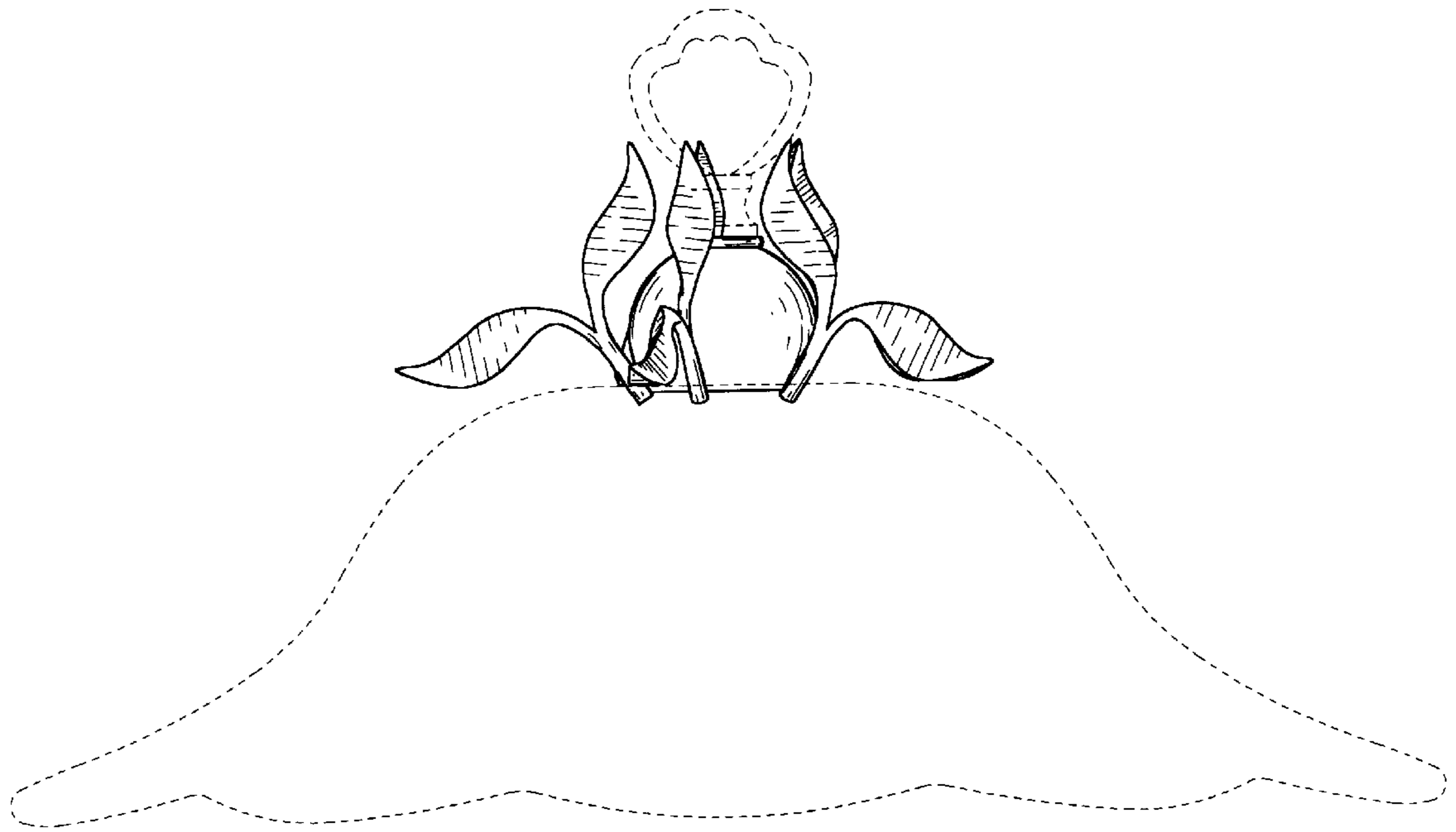


Fig.2

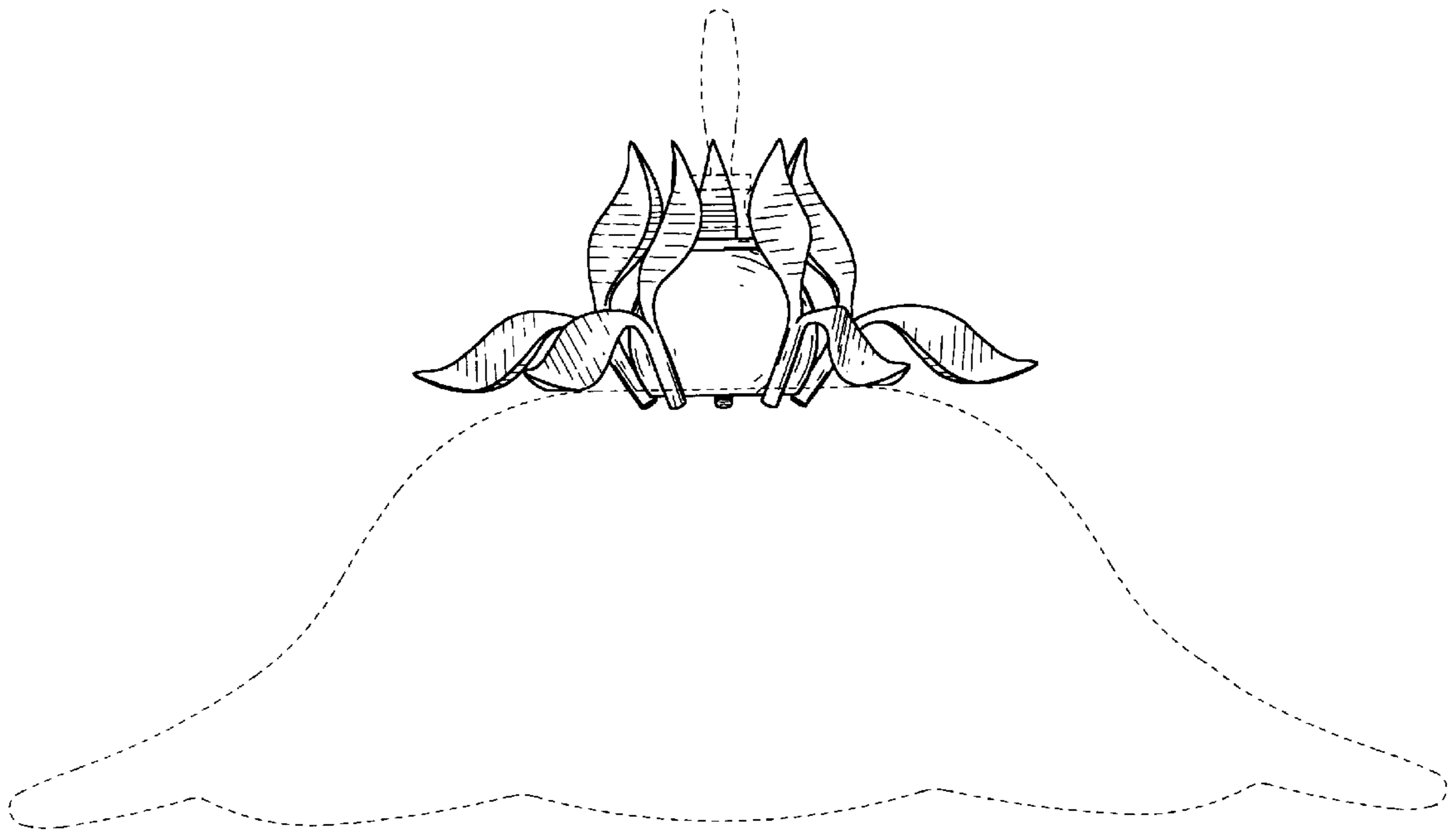


Fig.3

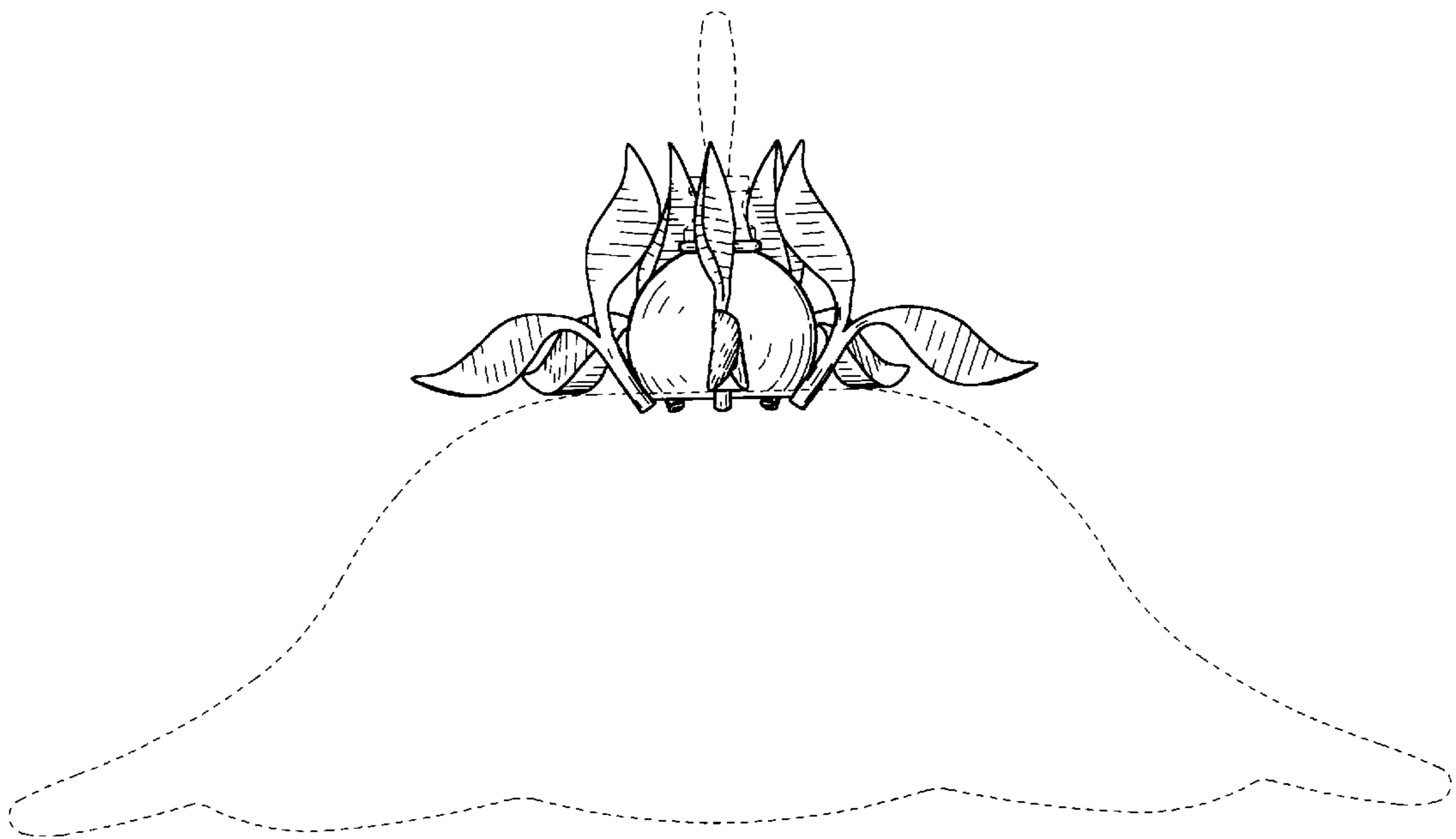


Fig.4

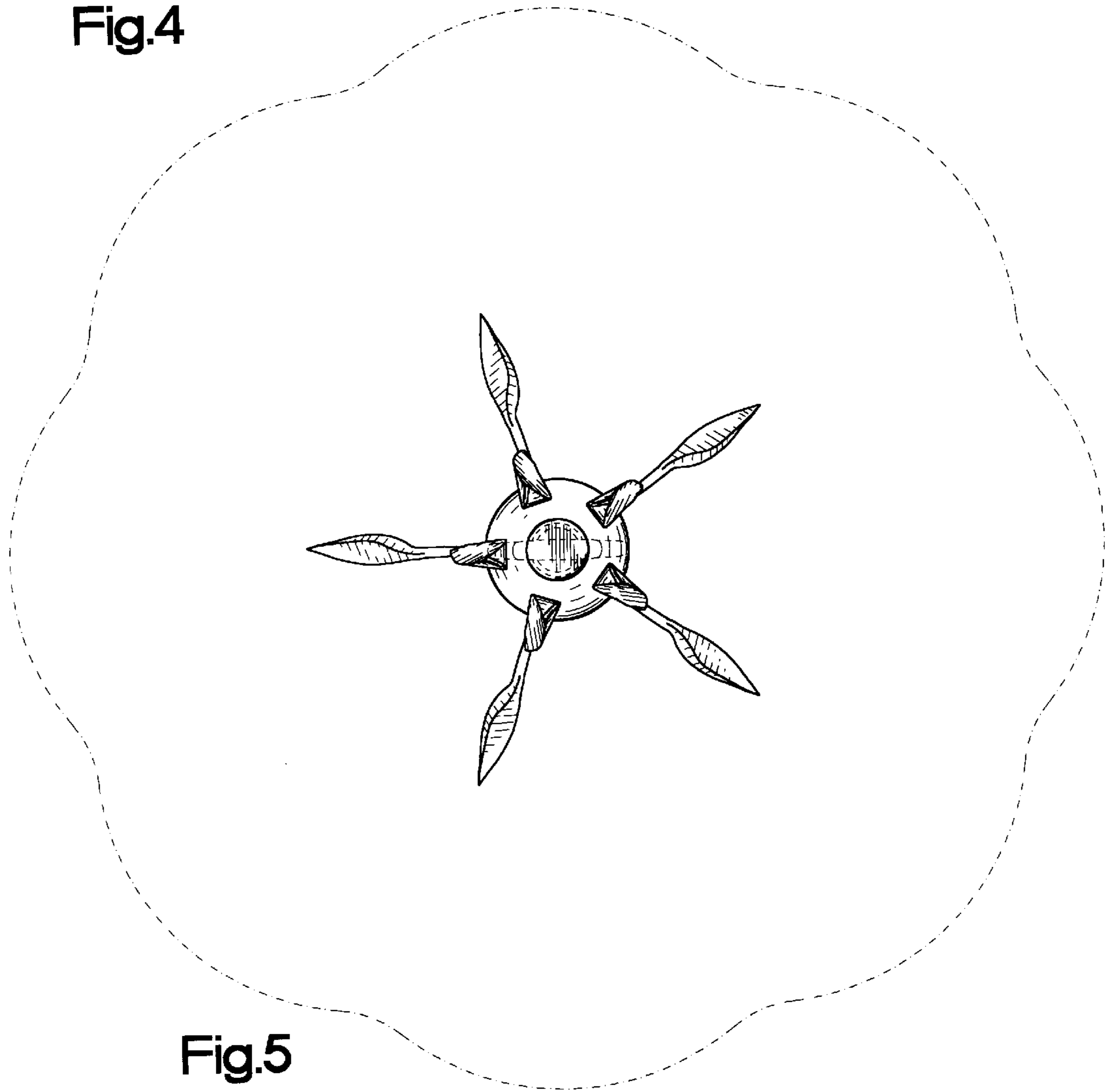


Fig.5

