



US00D429833S

United States Patent [19]
Lin

[11] **Patent Number: Des. 429,833**

[45] **Date of Patent: ** Aug. 22, 2000**

[54] **DUAL-FUNCTION TABLE LAMP**

[76] Inventor: **Jack Lin**, No. 21, Alley 9, Lane 27,
Sec. 5, Min Shen E. Rd., Taipei, Taiwan

[**] Term: **14 Years**

[21] Appl. No.: **29/109,878**

[22] Filed: **Aug. 24, 1999**

[51] **LOC (7) Cl.** **26-05**

[52] **U.S. Cl.** **D26/62; D26/107**

[58] **Field of Search** D26/93, 102-112,
D26/61, 63, 65, 269, 277, 287, 418, 419,
427; 362/410-414

[56] **References Cited**

U.S. PATENT DOCUMENTS

D. 370,077 5/1996 Huang D26/102
5,620,247 4/1997 Swanson 362/287 X

OTHER PUBLICATIONS

Taiwan Lighting, Nov. 1997,p. 151, floor lamp.

Primary Examiner—Susan J. Lucas
Attorney, Agent, or Firm—Rosenberg, Klein & Lee

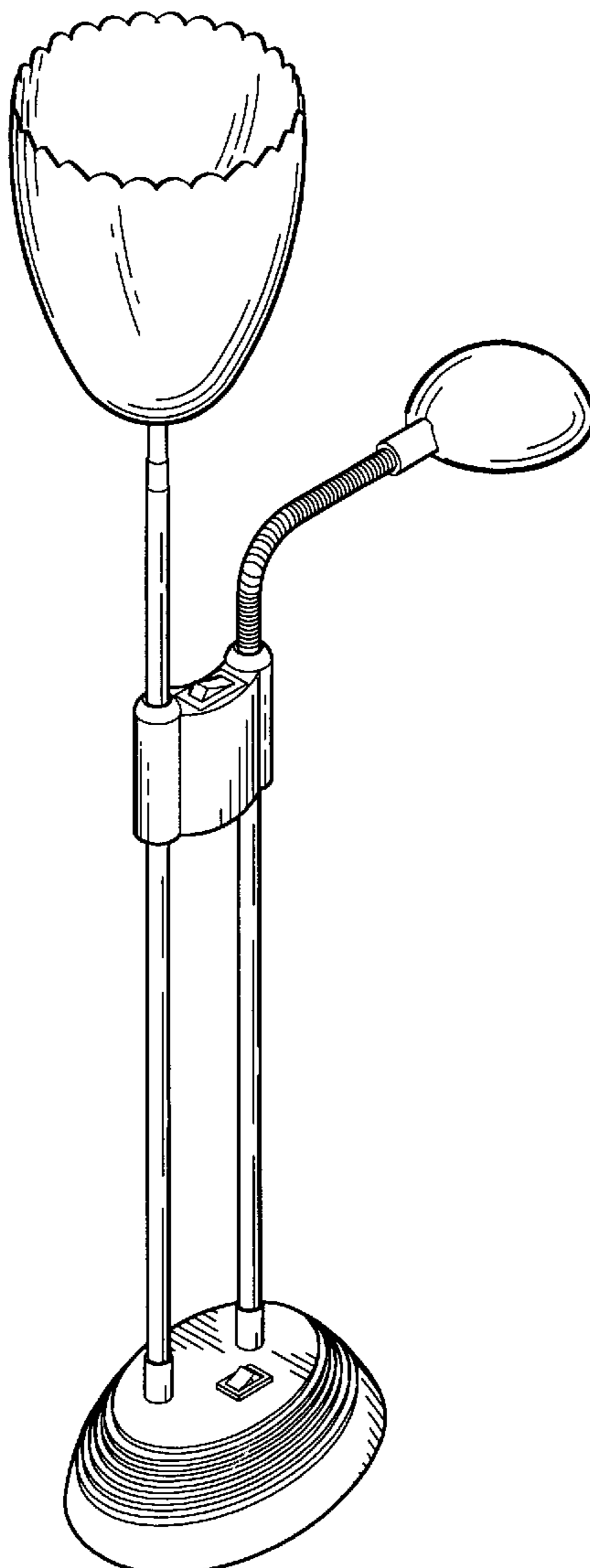
[57] **CLAIM**

The ornamental design for a “dual-function table lamp,” as shown and described.

DESCRIPTION

FIG. 1 is the perspective view of a “dual-function table lamp” showing my new design; FIG. 2 is the front view thereof; FIG. 3 is the rear view thereof; FIG. 4 is the left side view thereof; FIG. 5 is the right side view thereof; FIG. 6 is the top view thereof; and, FIG. 7 is the bottom view thereof.

1 Claim, 4 Drawing Sheets



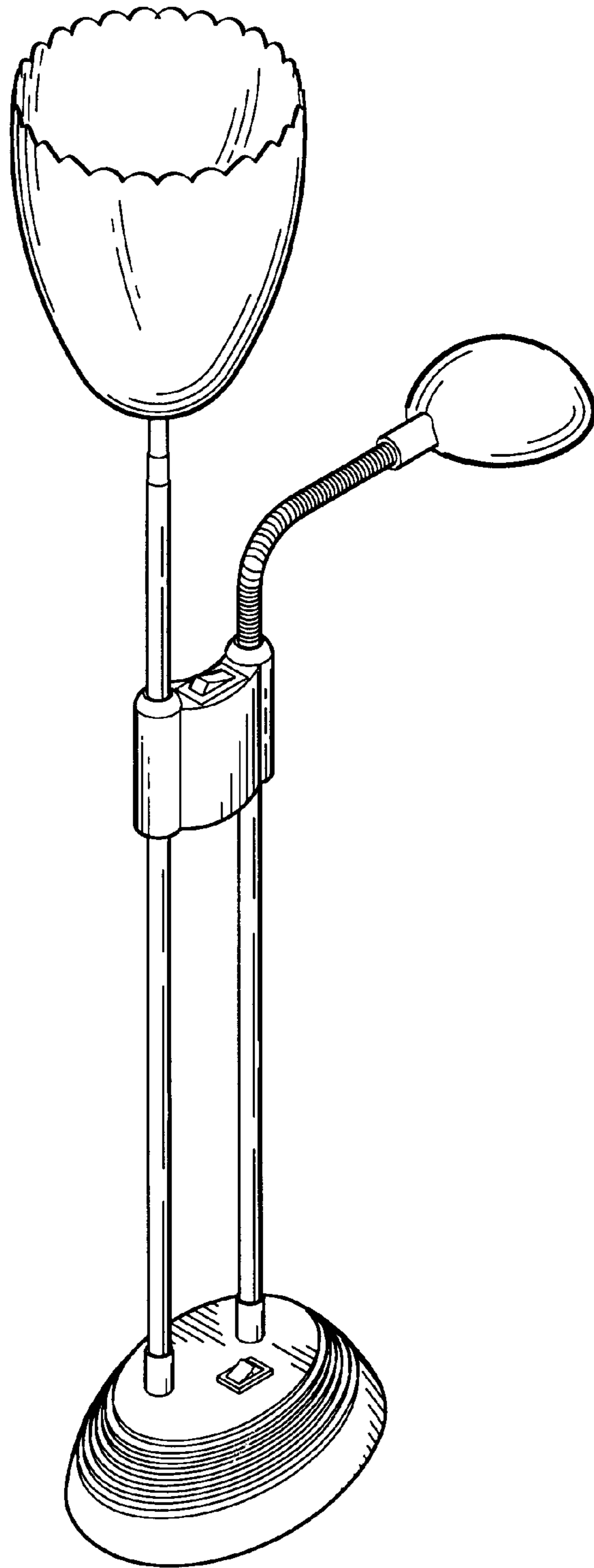


FIG. 1

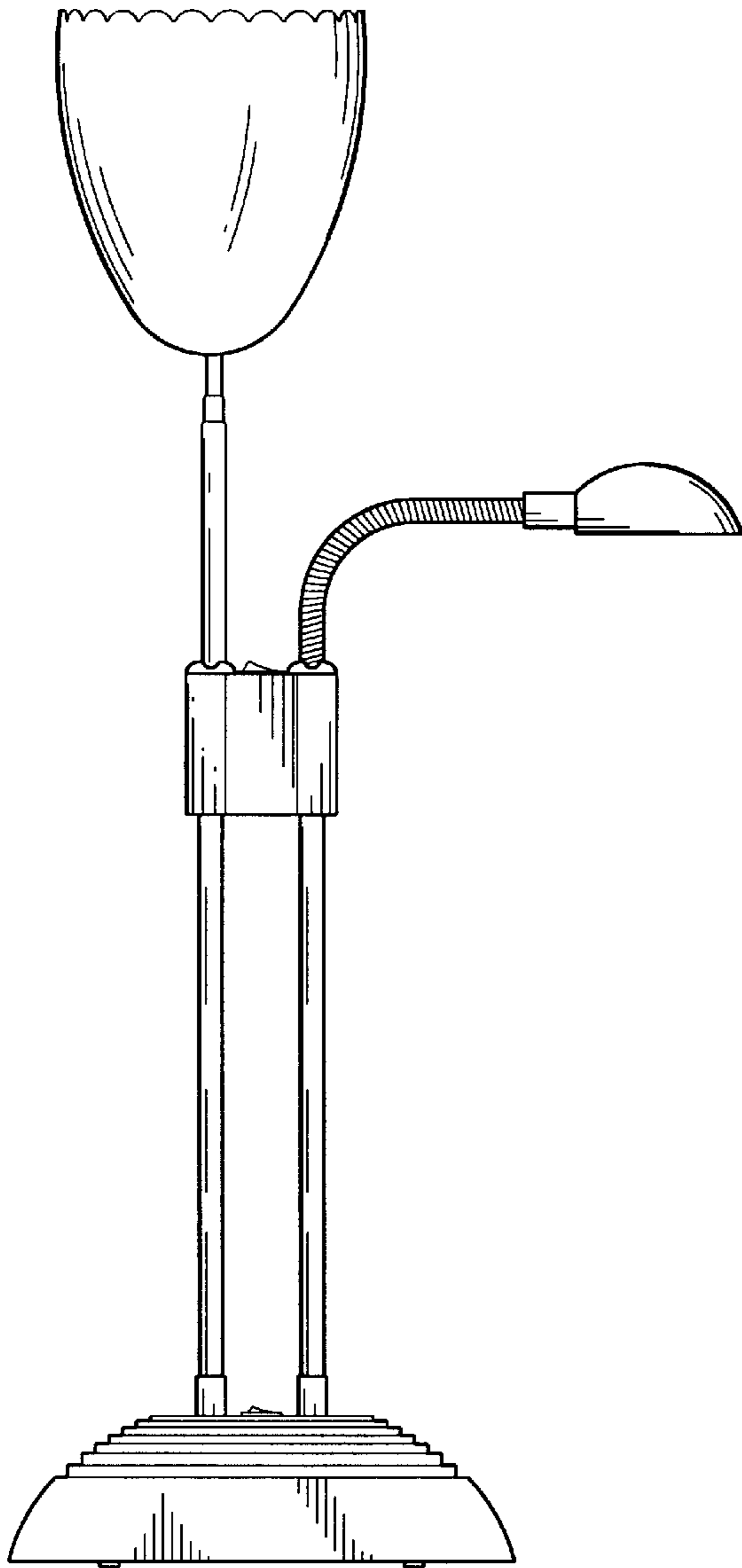


FIG. 2

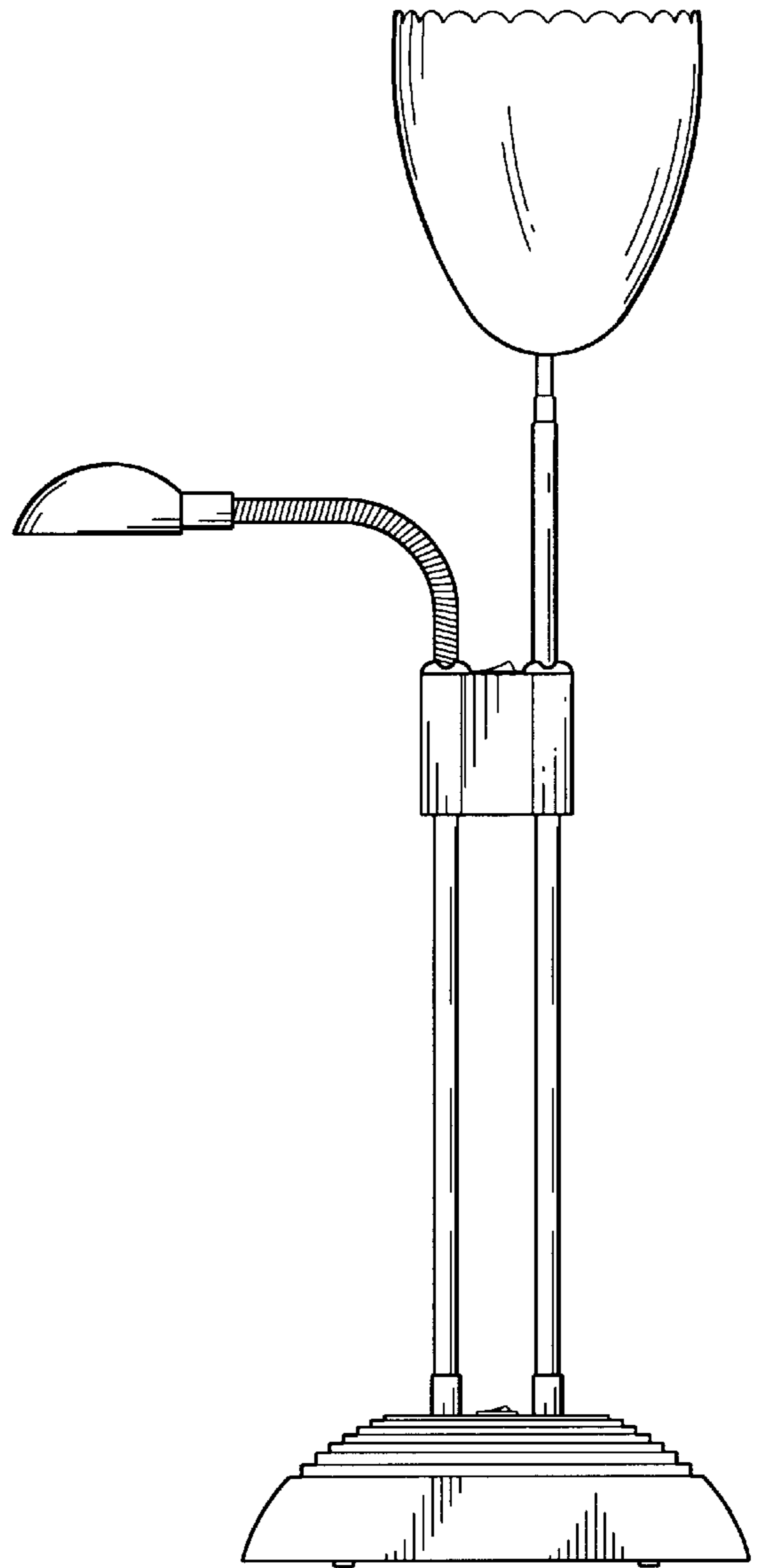


FIG. 3

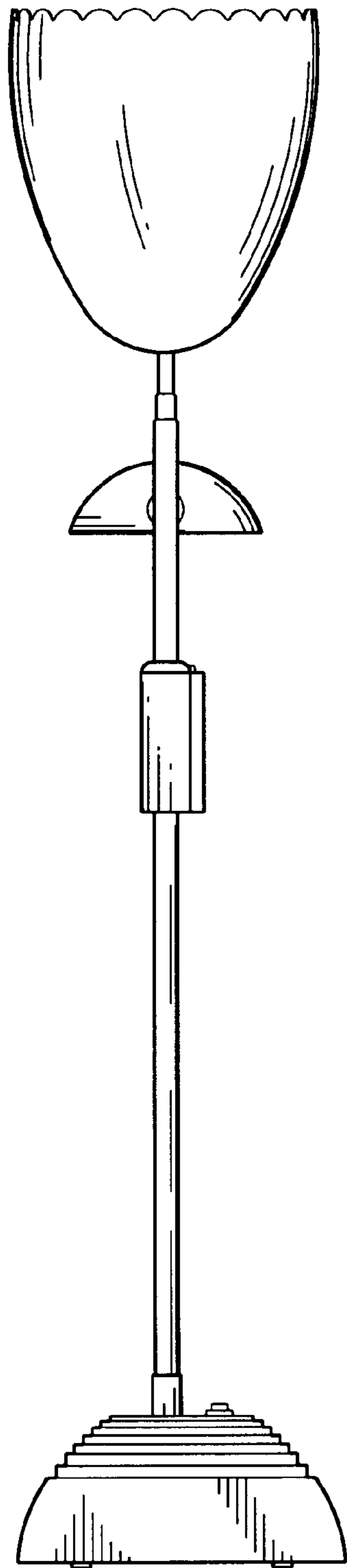


FIG. 4

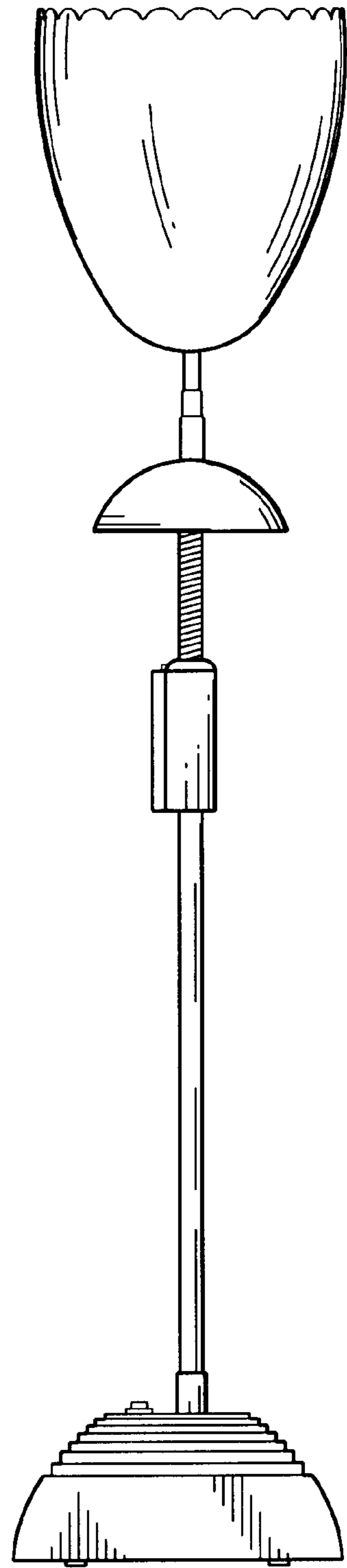


FIG. 5

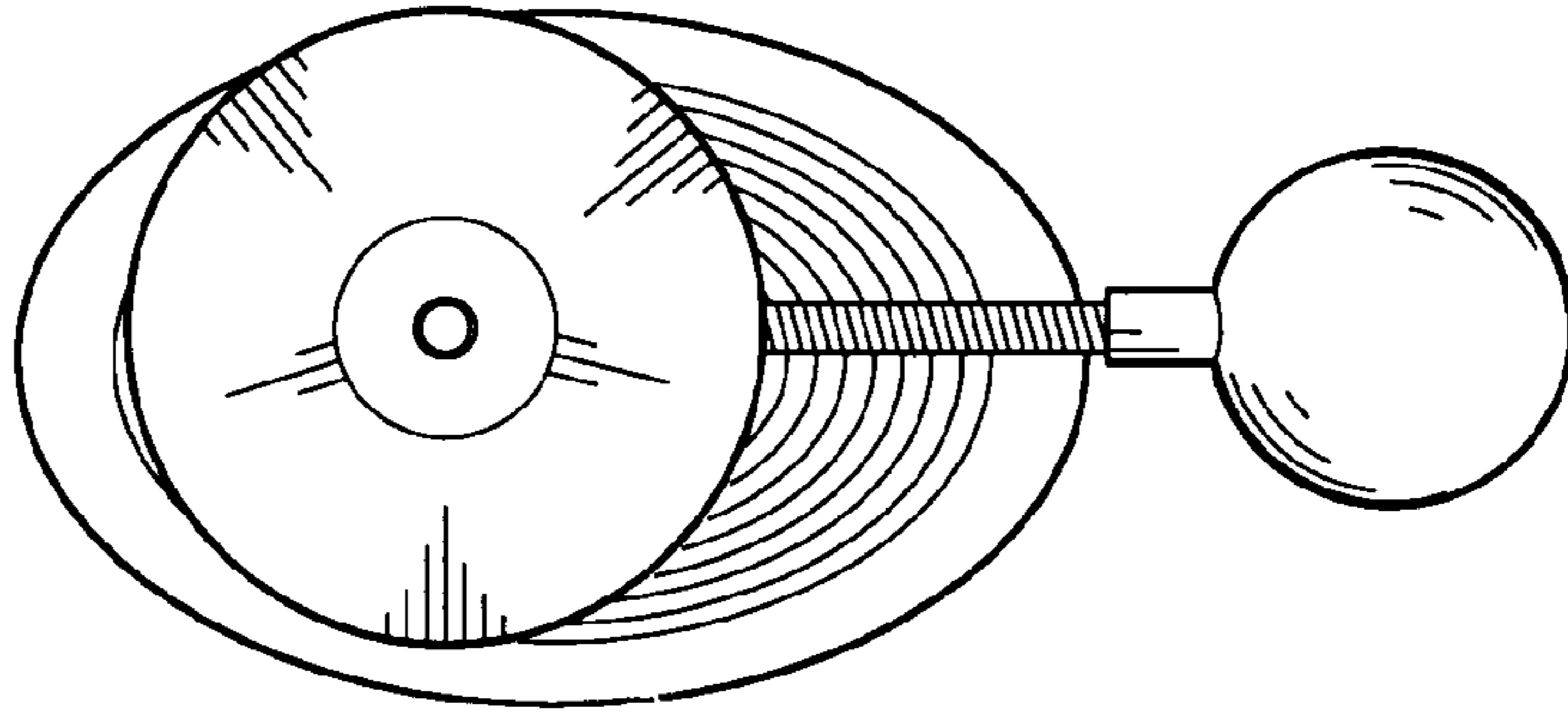


FIG. 6

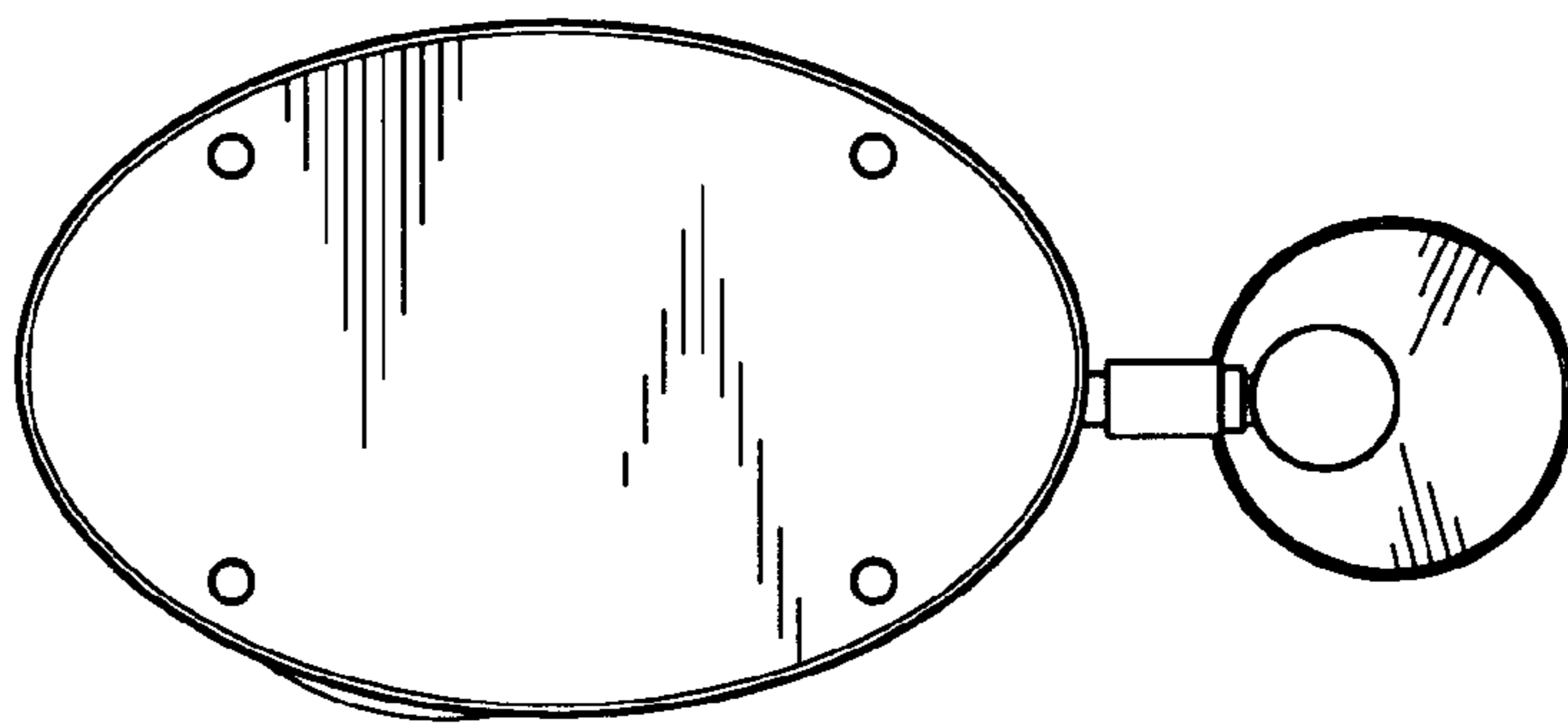


FIG. 7