



US00D429832S

United States Patent [19] Poon

[11] **Patent Number: Des. 429,832**

[45] **Date of Patent: ** Aug. 22, 2000**

[54] **LANTERN**

[75] Inventor: **Tit Wing Poon**, Shatin, China

[73] Assignee: **Flying Dragon Development Ltd.**,
Shatin, China

[**] Term: **14 Years**

[21] Appl. No.: **29/114,782**

[22] Filed: **Dec. 1, 1999**

[51] **LOC (7) Cl.** **26-02**

[52] **U.S. Cl.** **D26/40**

[58] **Field of Search** D26/37-50; 362/157,
362/158, 183-208

[56] **References Cited**

U.S. PATENT DOCUMENTS

D. 296,008	5/1988	Wan	D26/40
D. 317,057	5/1991	Argandona	D26/40
2,517,197	8/1950	Gill	D26/40

Primary Examiner—Marcus A. Jackson
Attorney, Agent, or Firm—Alix, Yale & Ristas, LLP

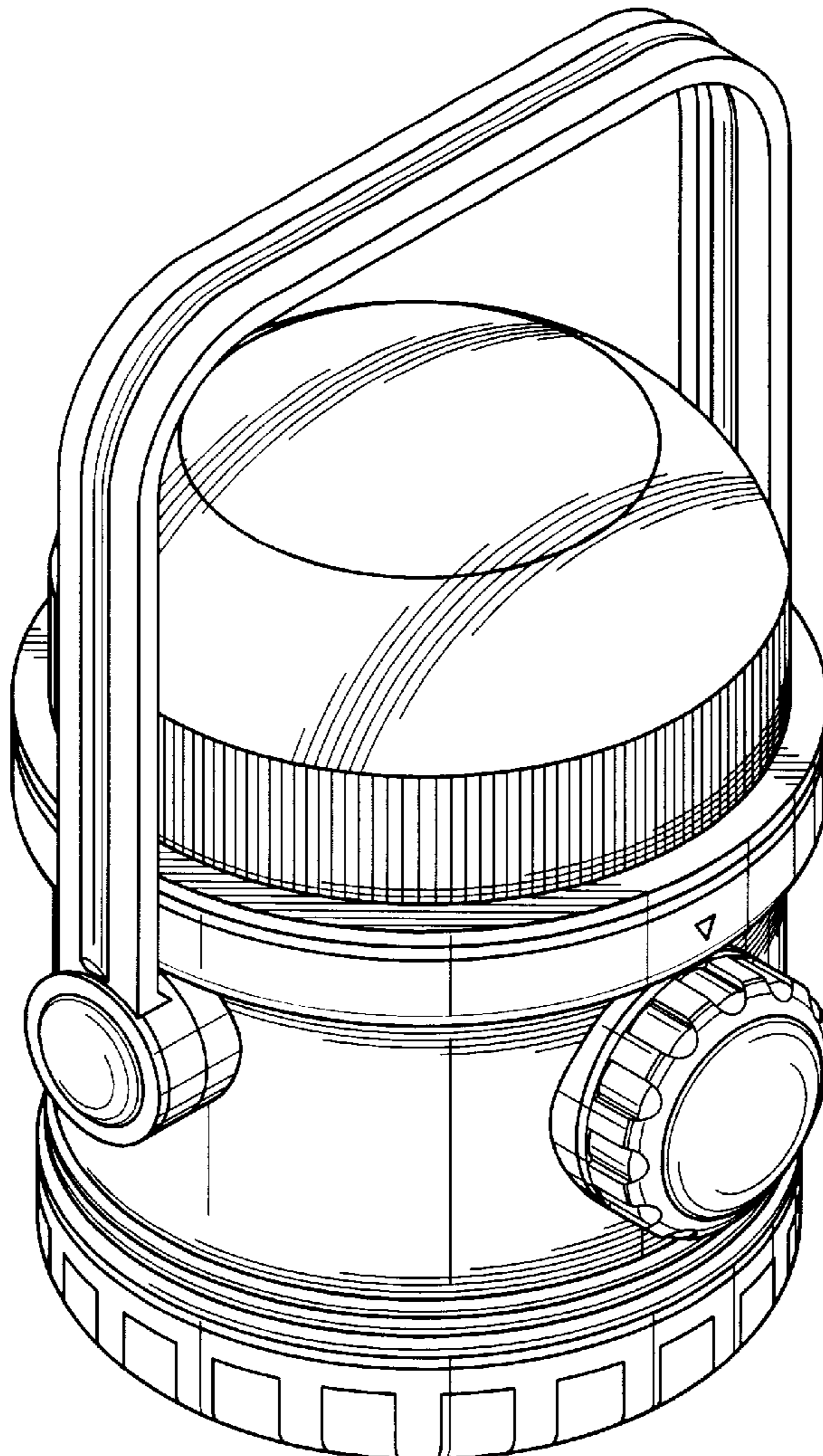
[57] **CLAIM**

The ornamental design for a lantern, as shown and described.

DESCRIPTION

FIG. 1 is a front perspective view of the lantern showing my new design;
FIG. 2 is a front perspective view of the lantern of FIG. 1 with parts in an alternative position;
FIG. 3 is a front view of the lantern of FIG. 1;
FIG. 4 is a left side view of the lantern of FIG. 1;
FIG. 5 is a rear view of the lantern of FIG. 1;
FIG. 6 is a right side view of the lantern of FIG. 1;
FIG. 7 is a top plan view of the lantern of FIG. 1;
FIG. 8 is a bottom plan view of the lantern of FIG. 1; and,
FIG. 9 is a top plan view of the lantern of FIG. 1 with parts in an alternative position.

1 Claim, 6 Drawing Sheets



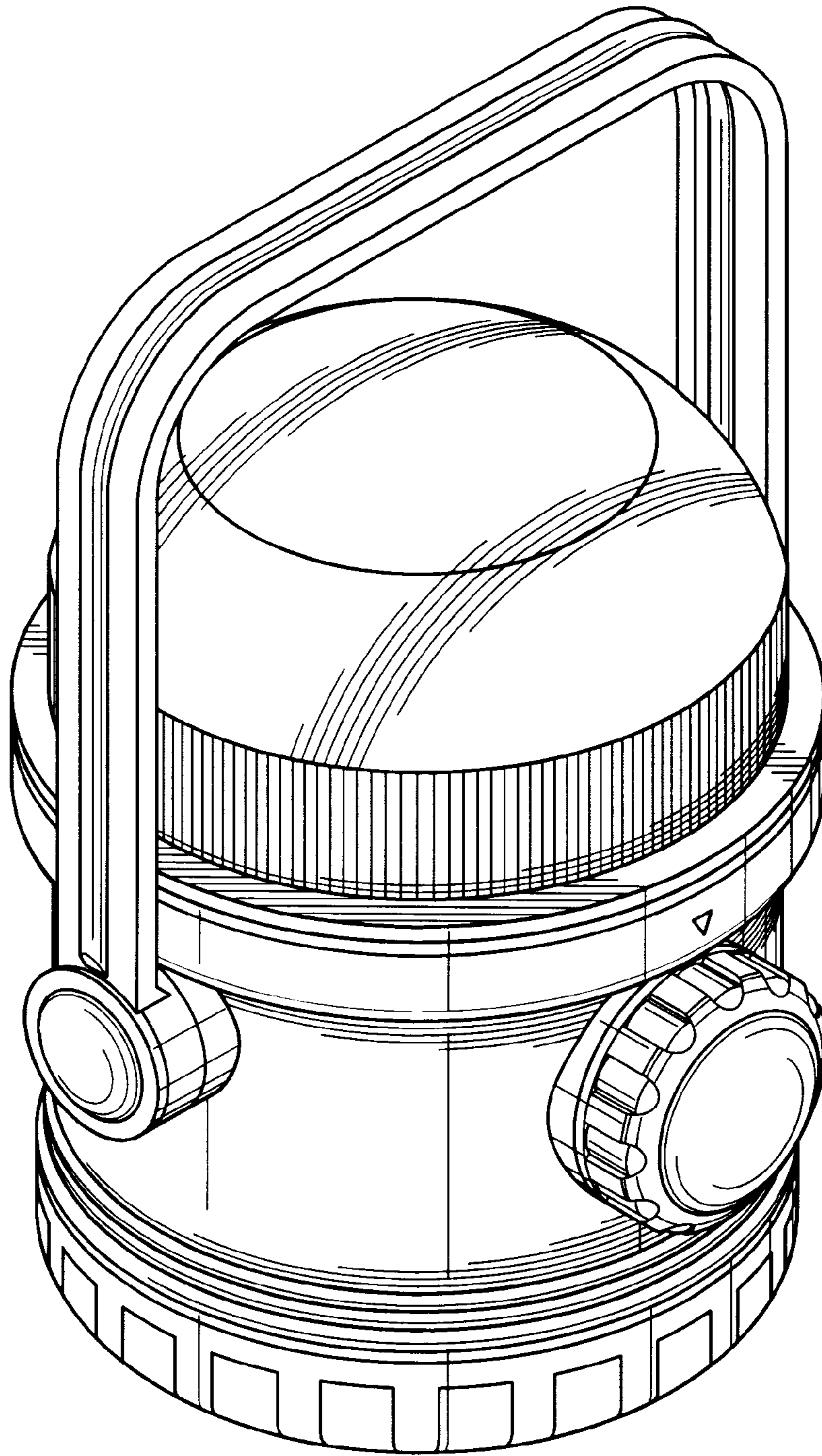


FIG. 1

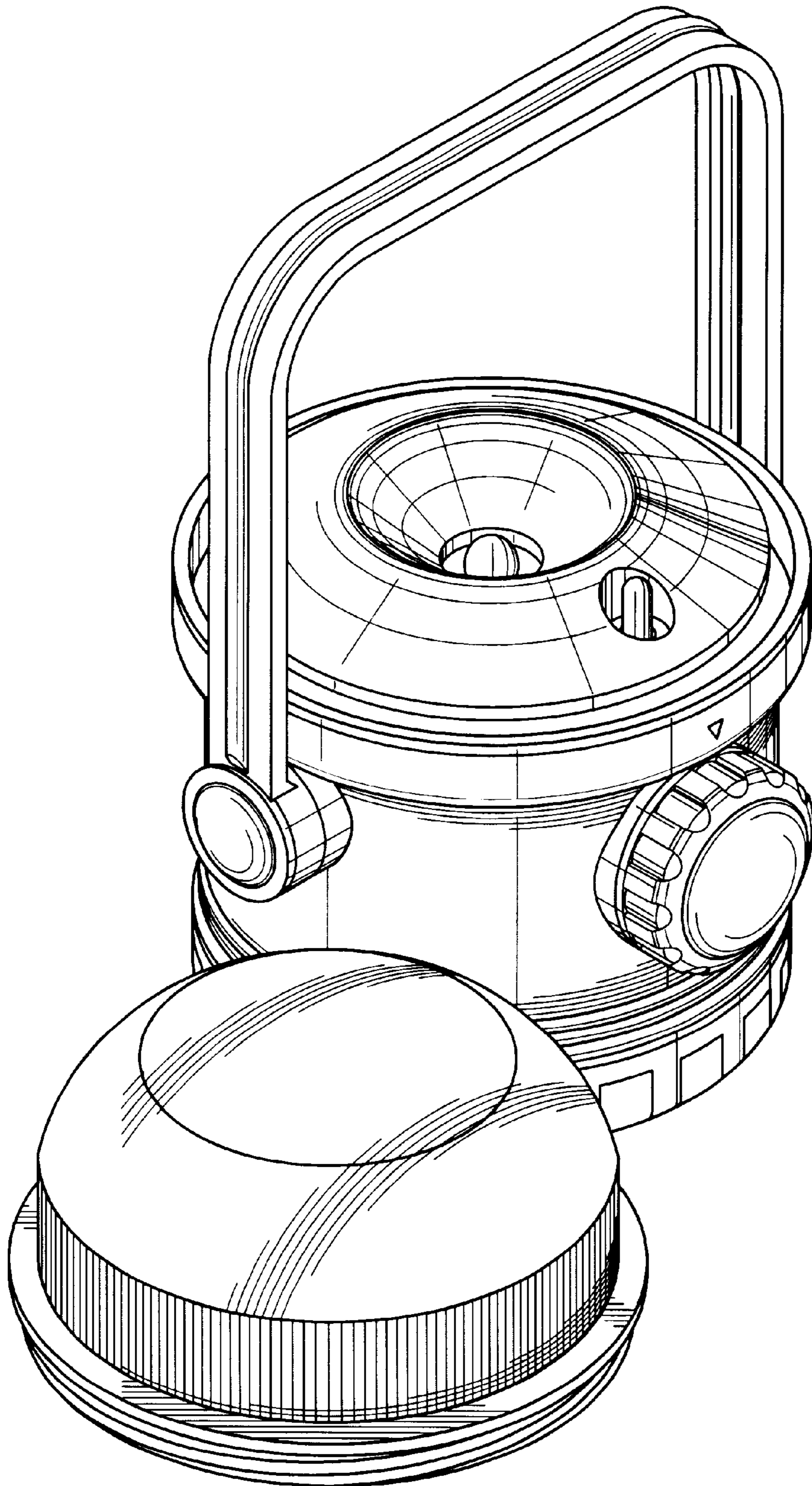


FIG. 2

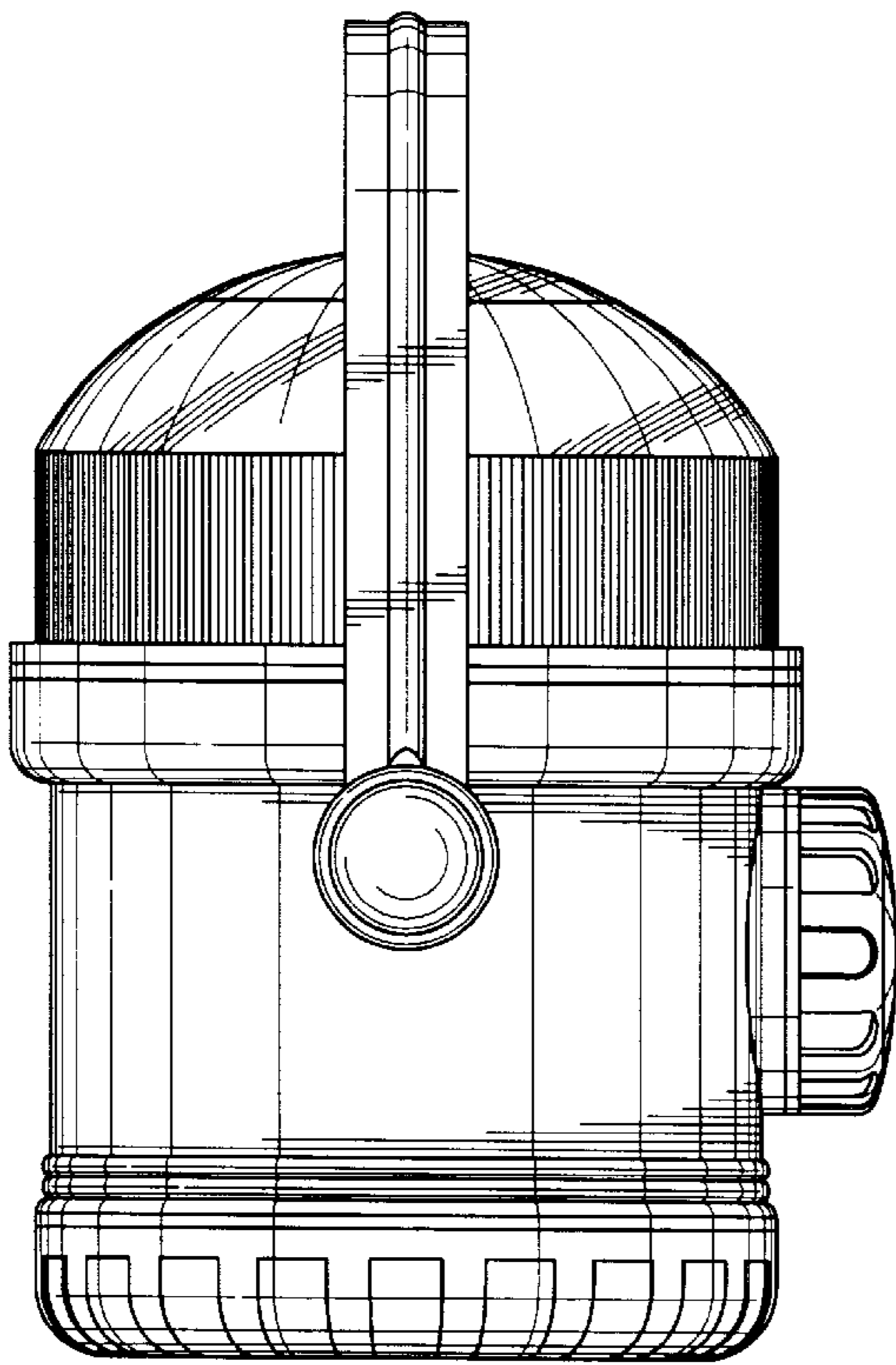


FIG. 4

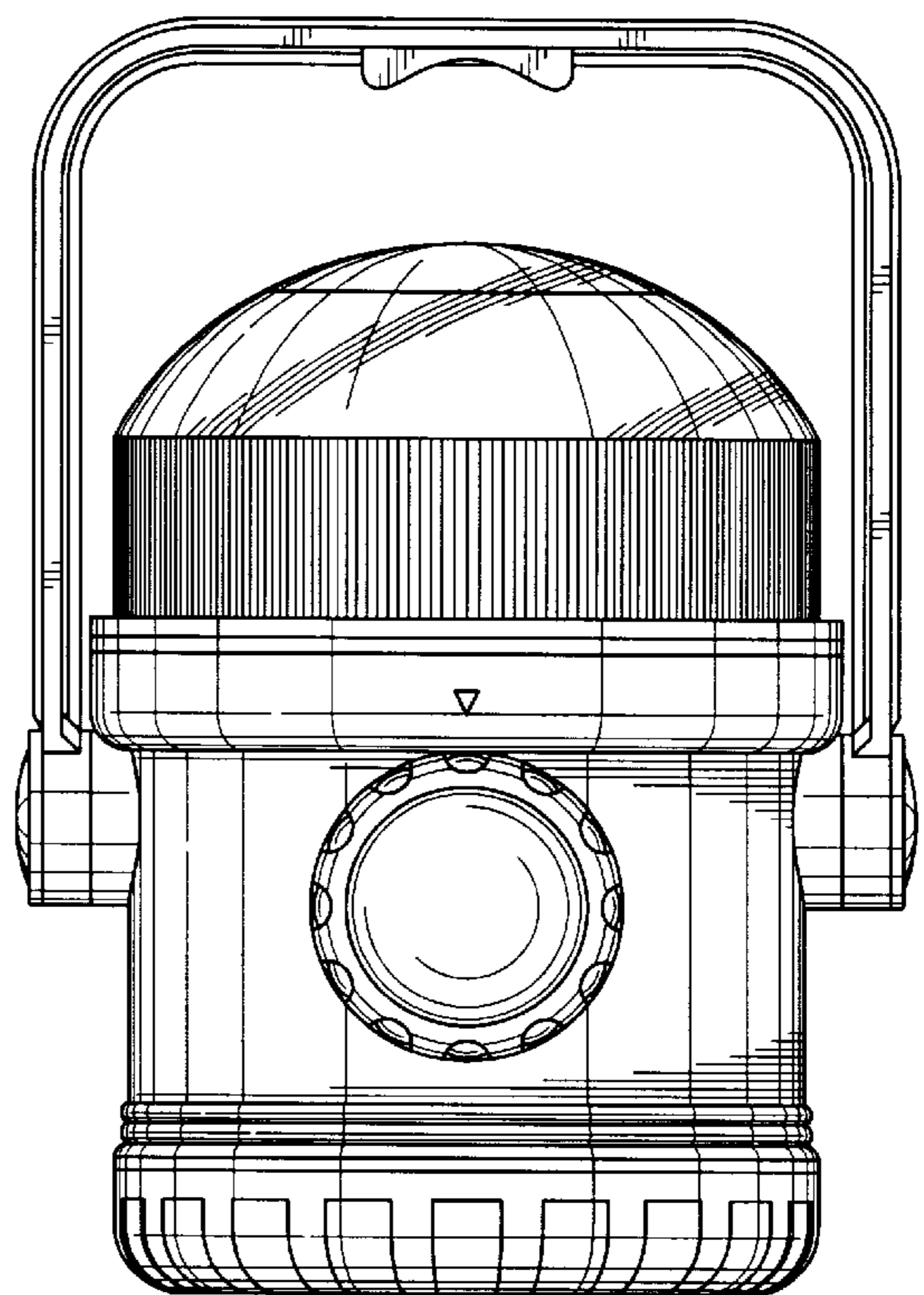


FIG. 3

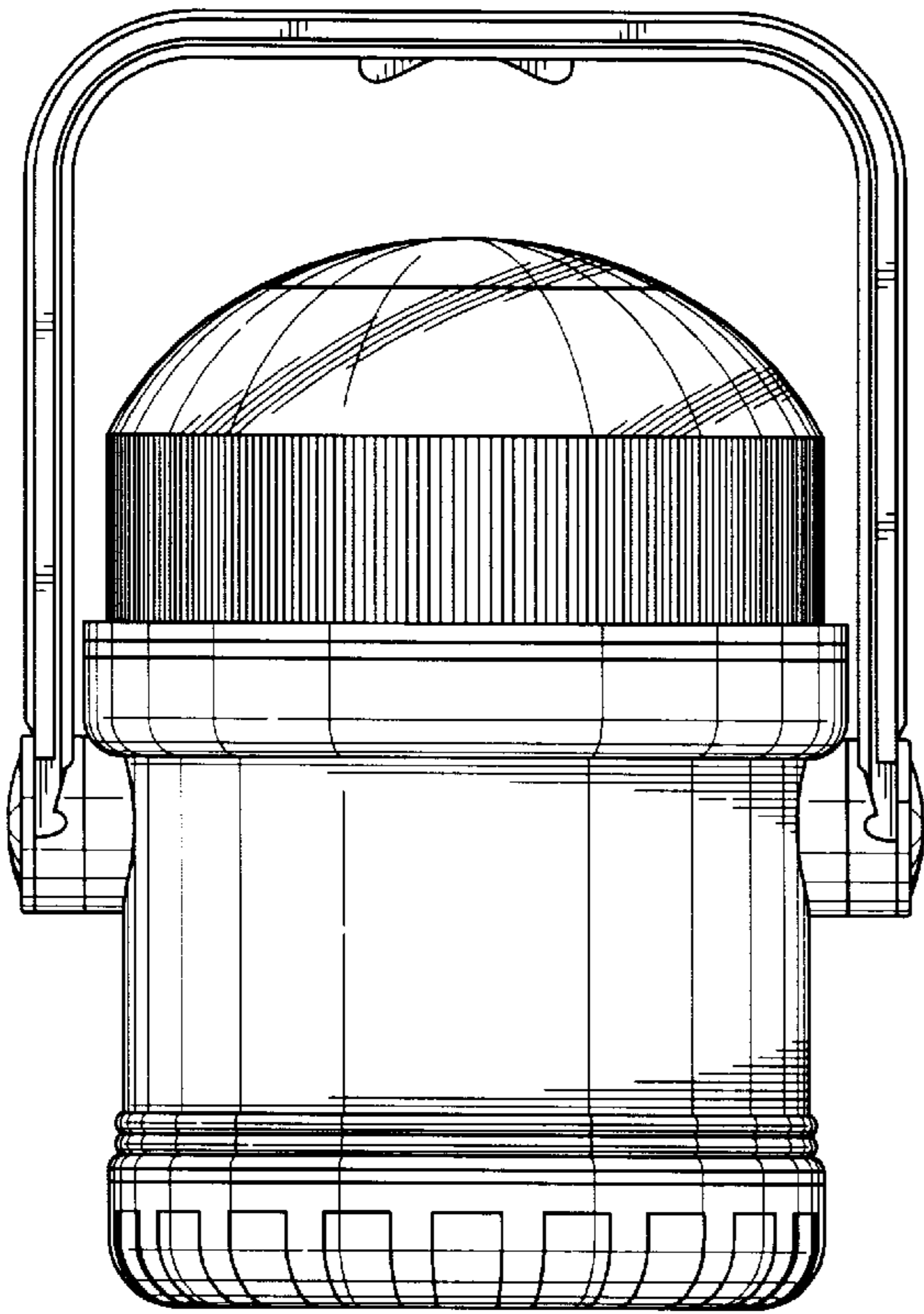


FIG. 5

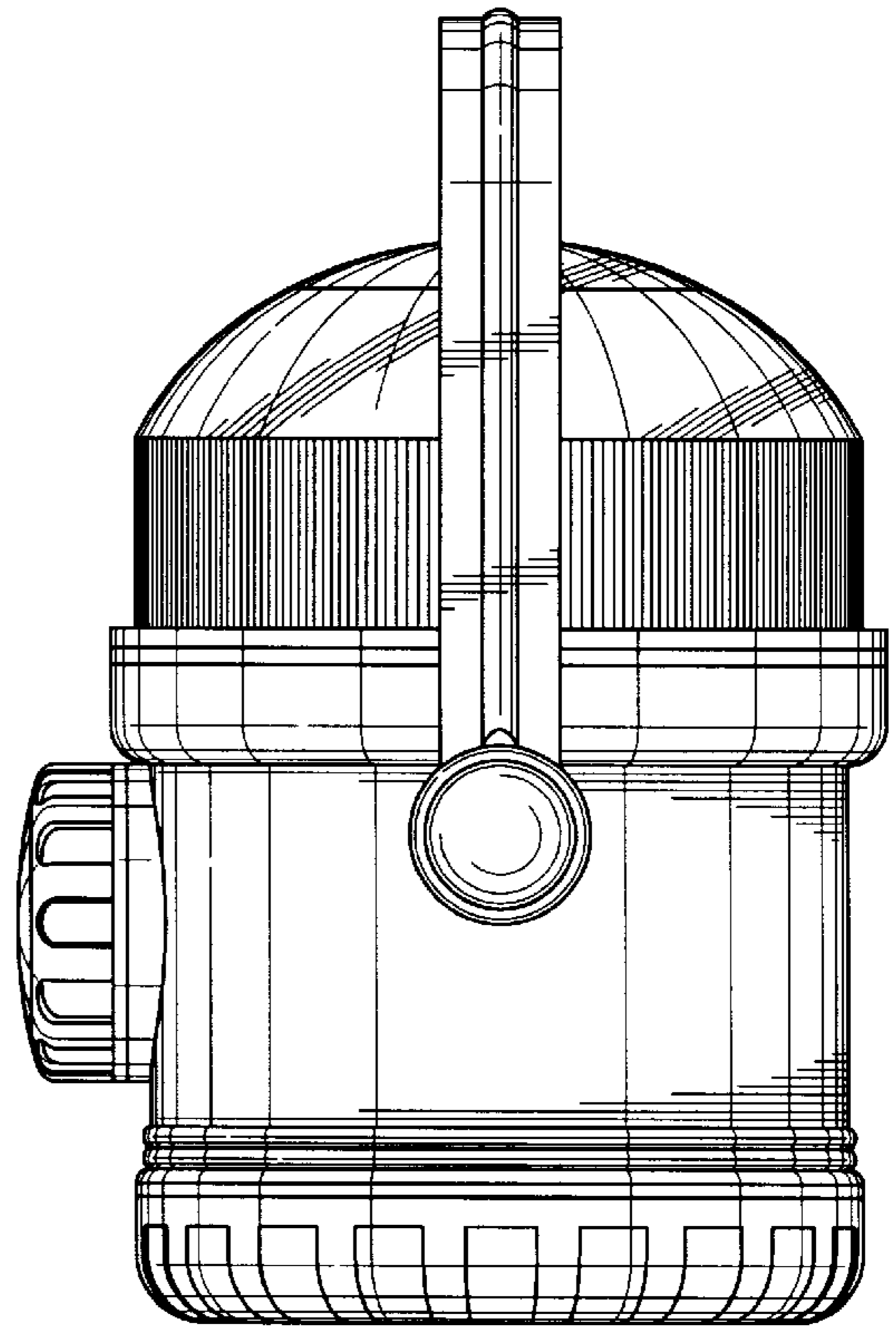


FIG. 6

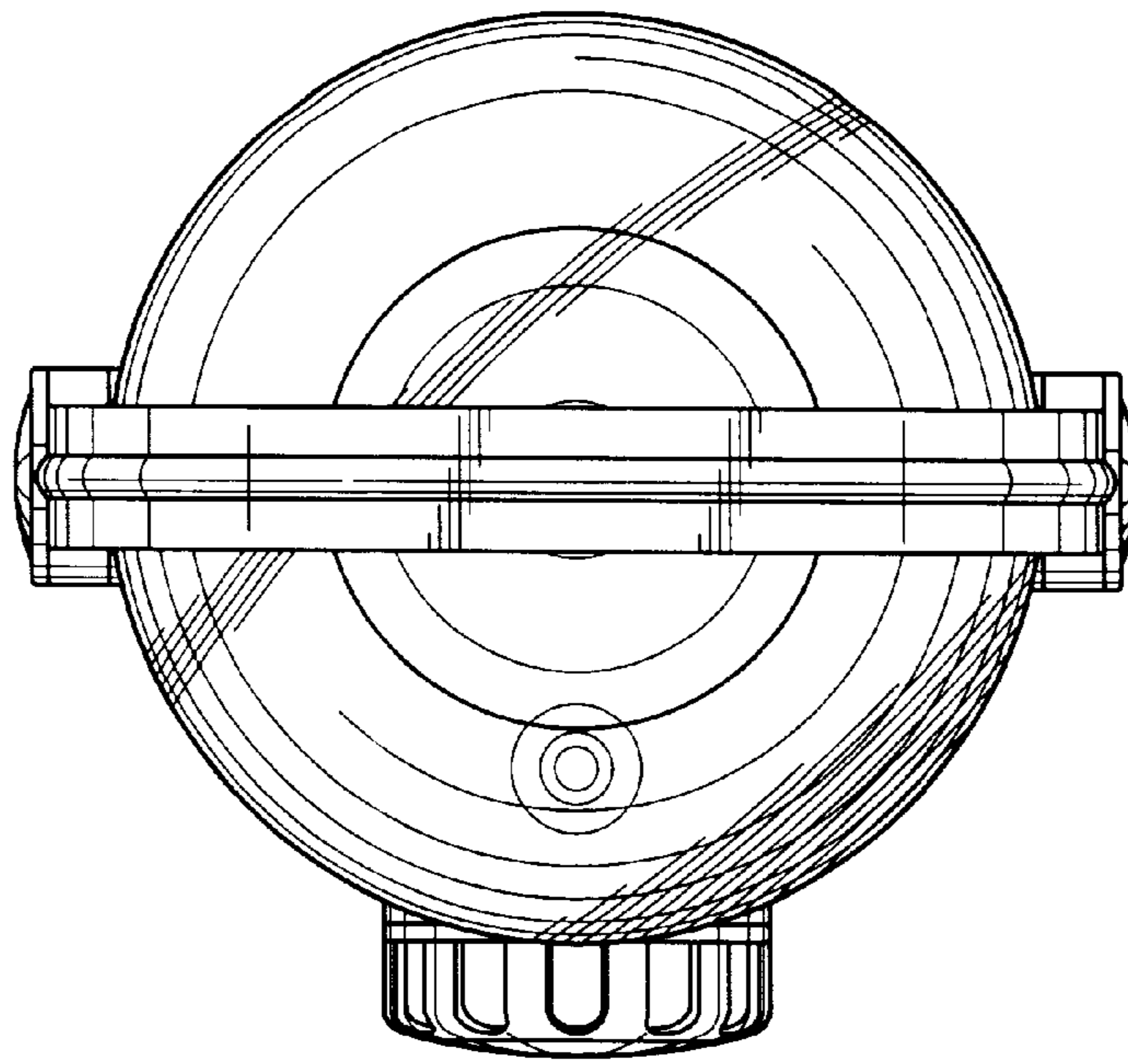


FIG. 7

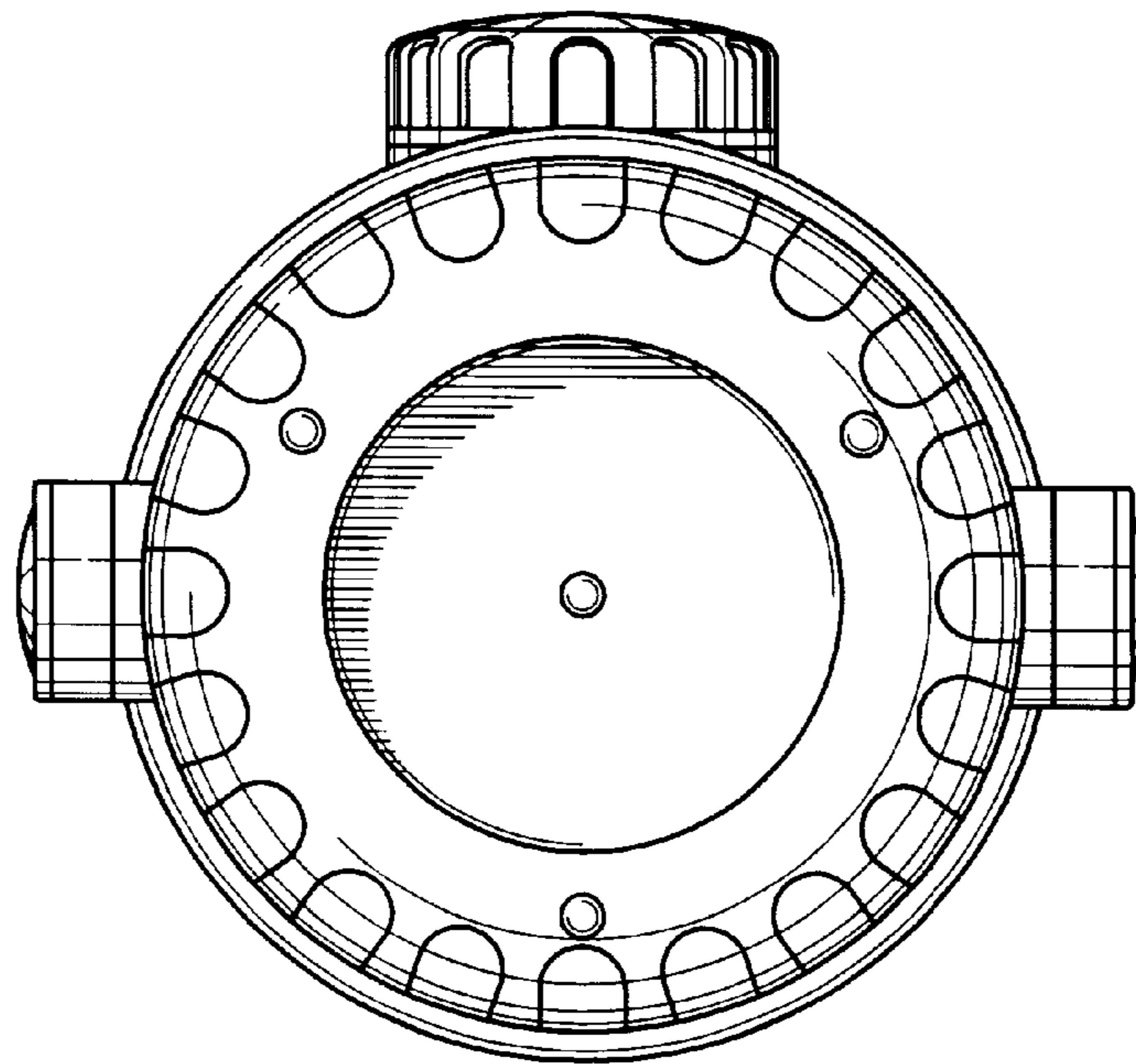


FIG. 8

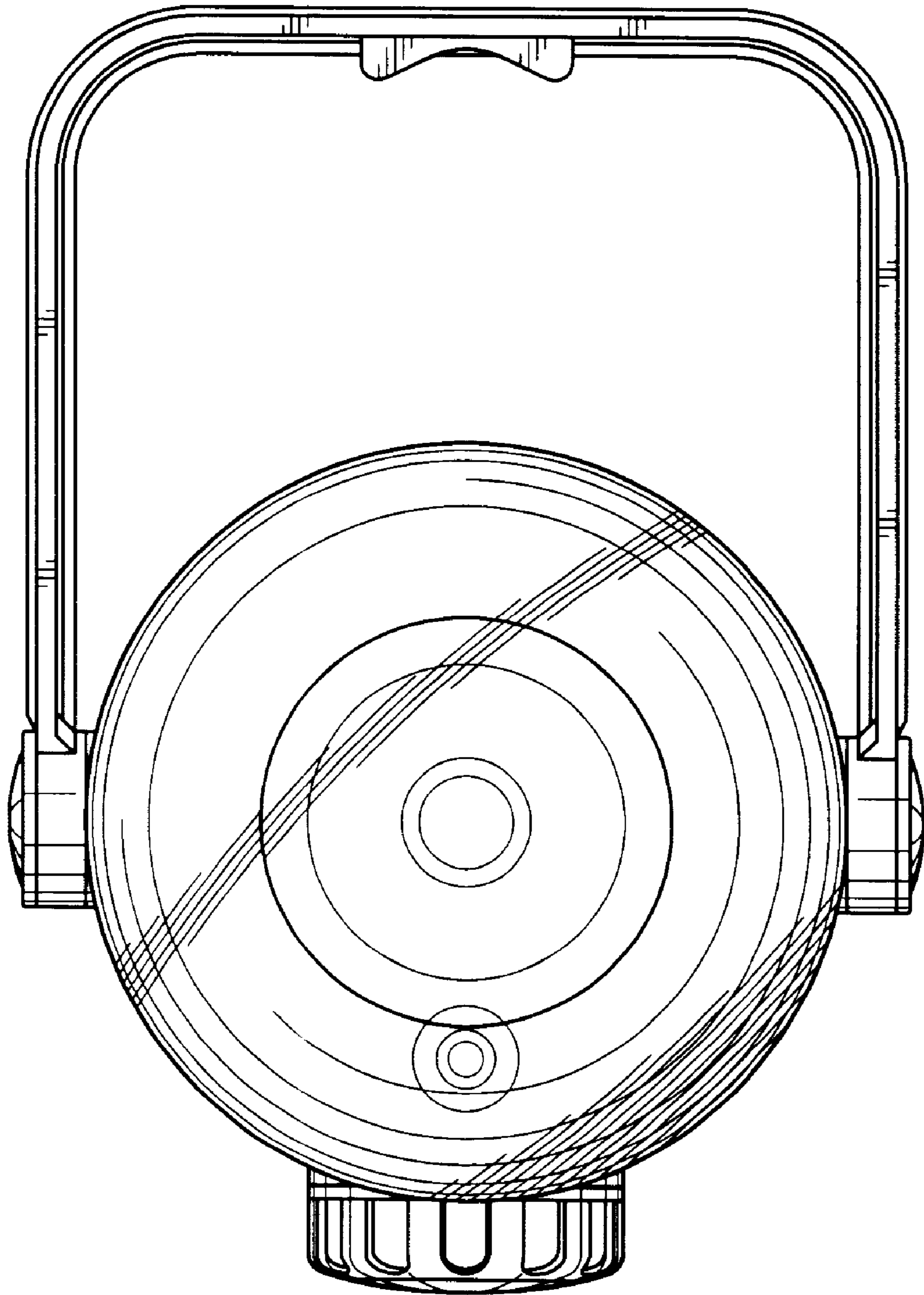


FIG. 9