



US00D429831S

United States Patent [19] Ting

[11] **Patent Number: Des. 429,831**

[45] **Date of Patent: ** Aug. 22, 2000**

[54] **LASER POINTER**

[75] Inventor: **Chih-Yu Ting**, Sanchung, Taiwan

[73] Assignee: **Opcom Inc.**, Taipei, Taiwan

[**] Term: **14 Years**

[21] Appl. No.: **29/102,610**

[22] Filed: **Mar. 29, 1999**

[51] **LOC (7) Cl.** **26-02**

[52] **U.S. Cl.** **D26/37**

[58] **Field of Search** D26/37-50; D19/41-51;
362/157, 158, 184, 186, 200-209

[56] **References Cited**

U.S. PATENT DOCUMENTS

D. 327,954 7/1992 Lawrence D26/37

D. 403,450 12/1998 Ting D26/37
D. 403,451 12/1998 Ting D26/37

Primary Examiner—Marcus A. Jackson
Attorney, Agent, or Firm—A & J

[57] **CLAIM**

The ornamental design for laser pointer, as shown and described.

DESCRIPTION

FIG. 1 is a perspective view of laser pointer showing my new design.

FIG. 2 is a front view thereof;

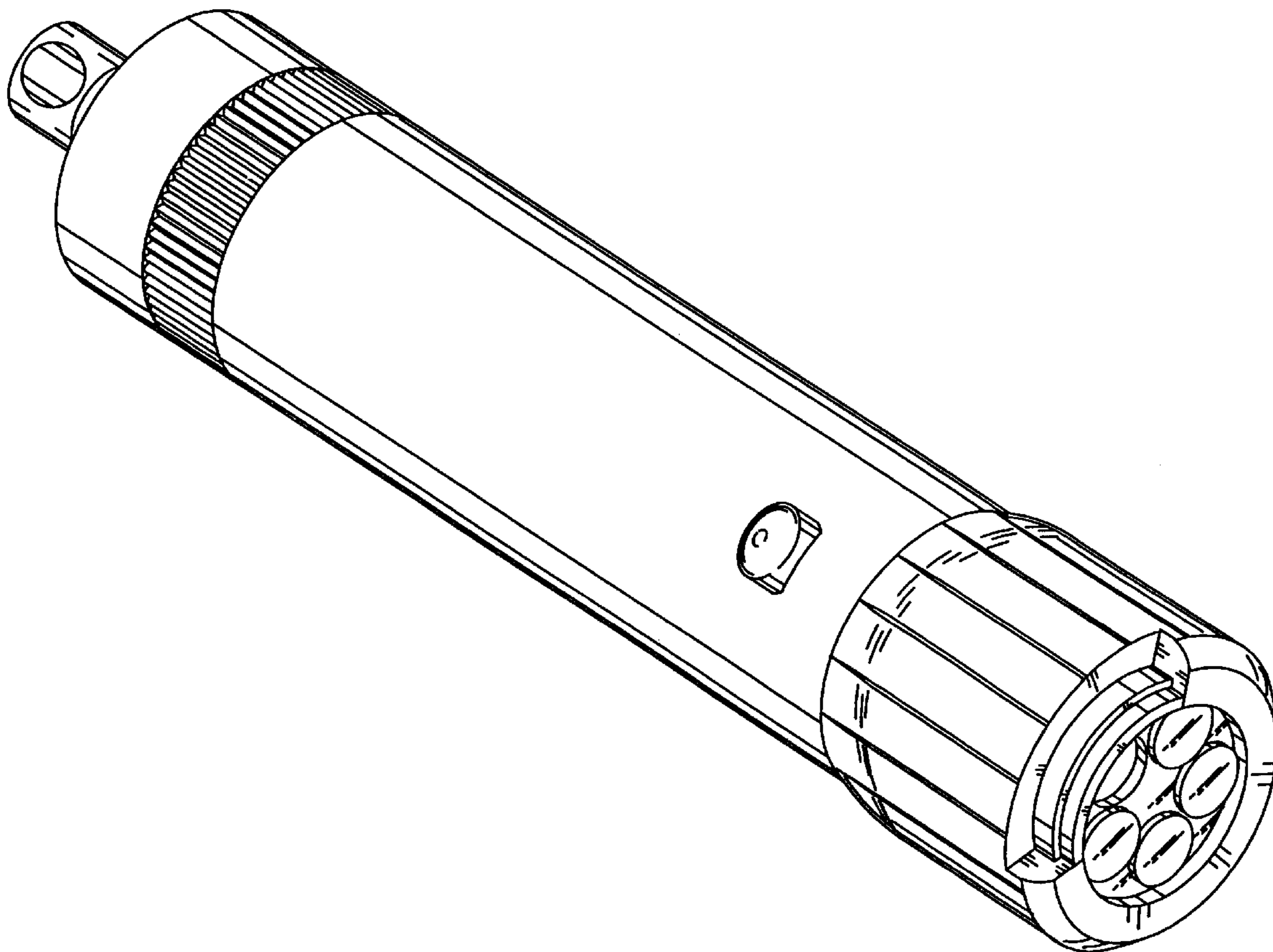
FIG. 3 is a rear view thereof;

FIG. 4 is a left and right side elevational view thereof;

FIG. 5 is a top plan view thereof; and,

FIG. 6 is a bottom plan view thereof.

1 Claim, 4 Drawing Sheets



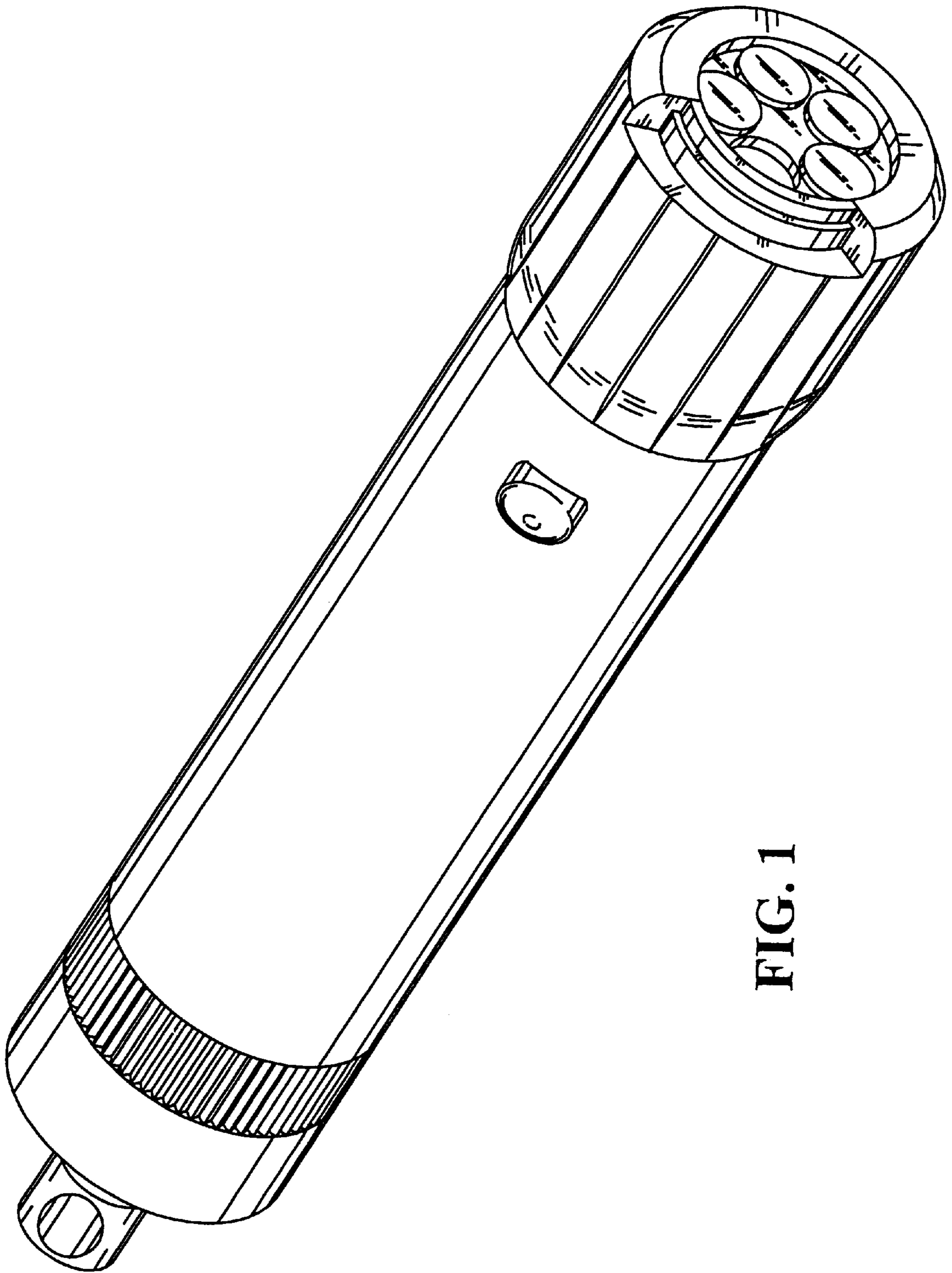


FIG. 1

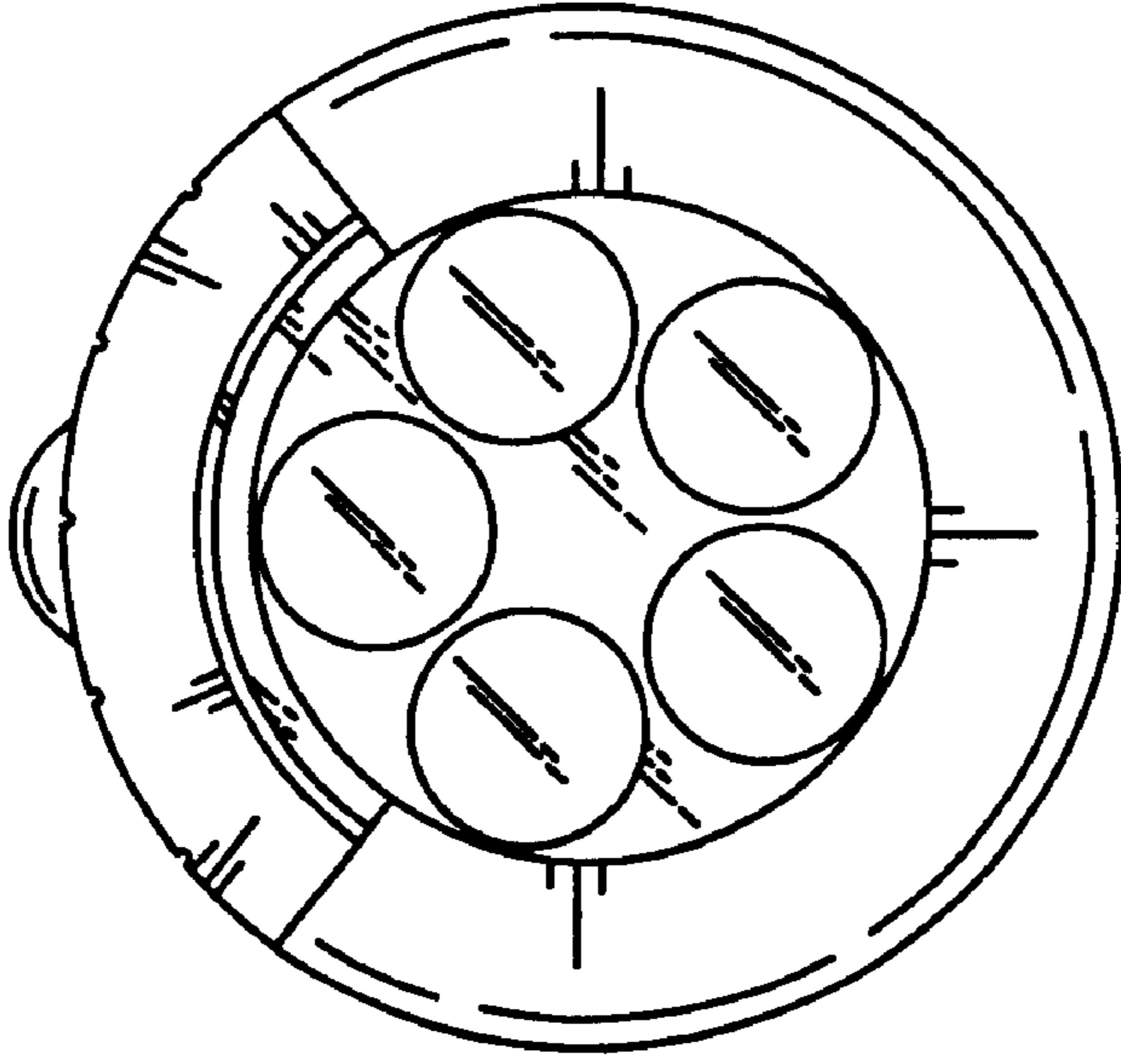


FIG. 2

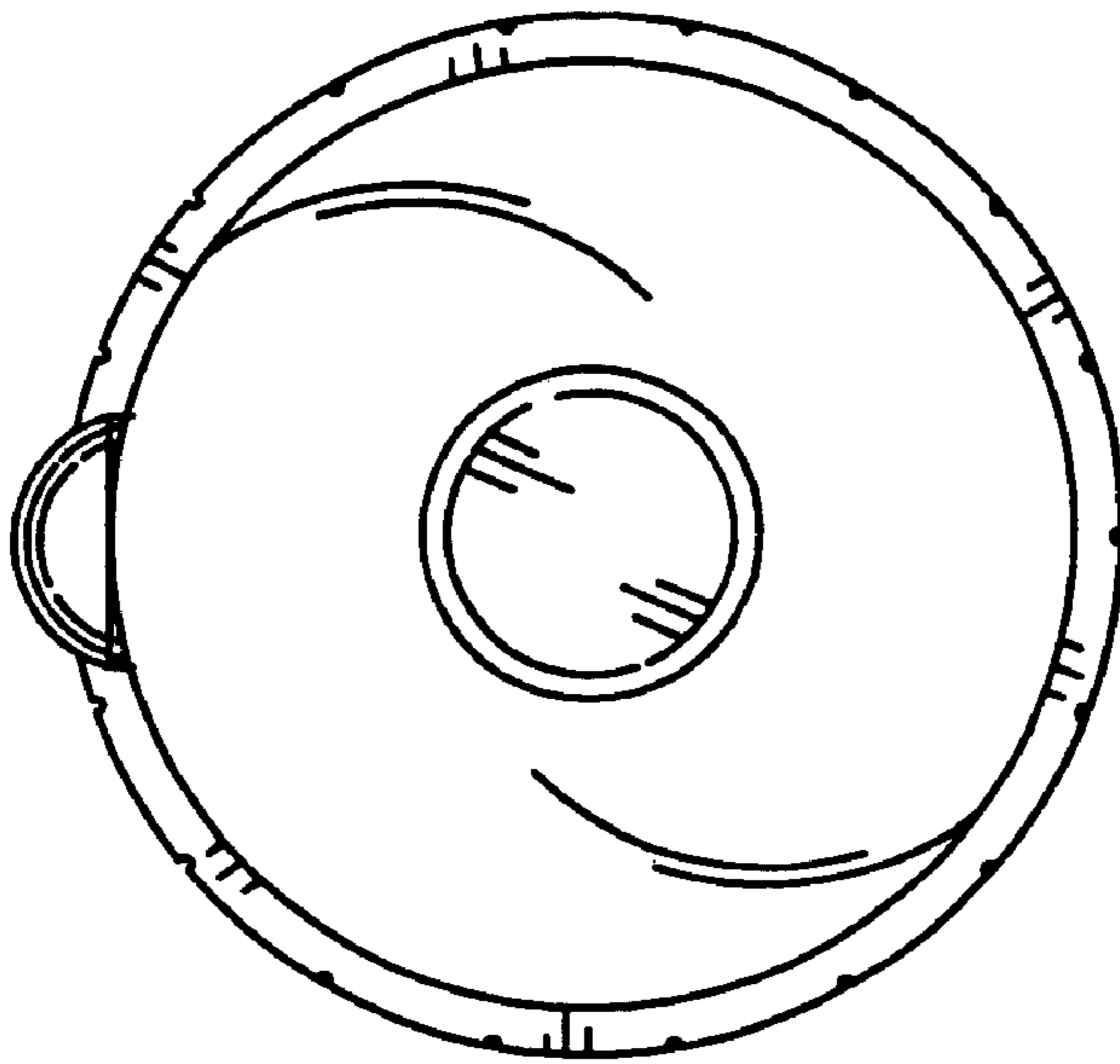


FIG. 3

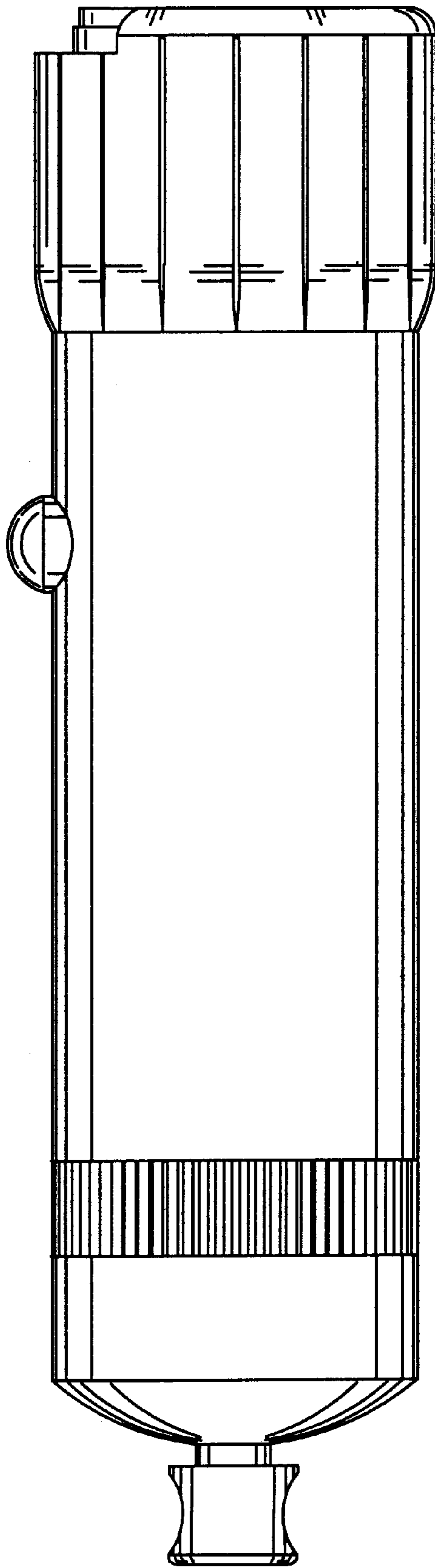


FIG. 4

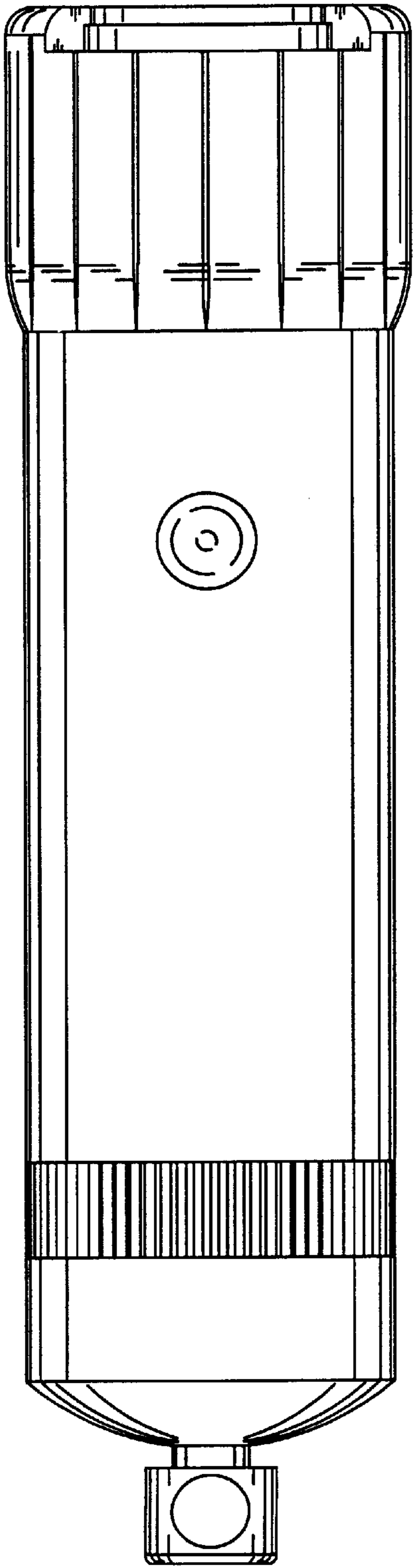


FIG. 5

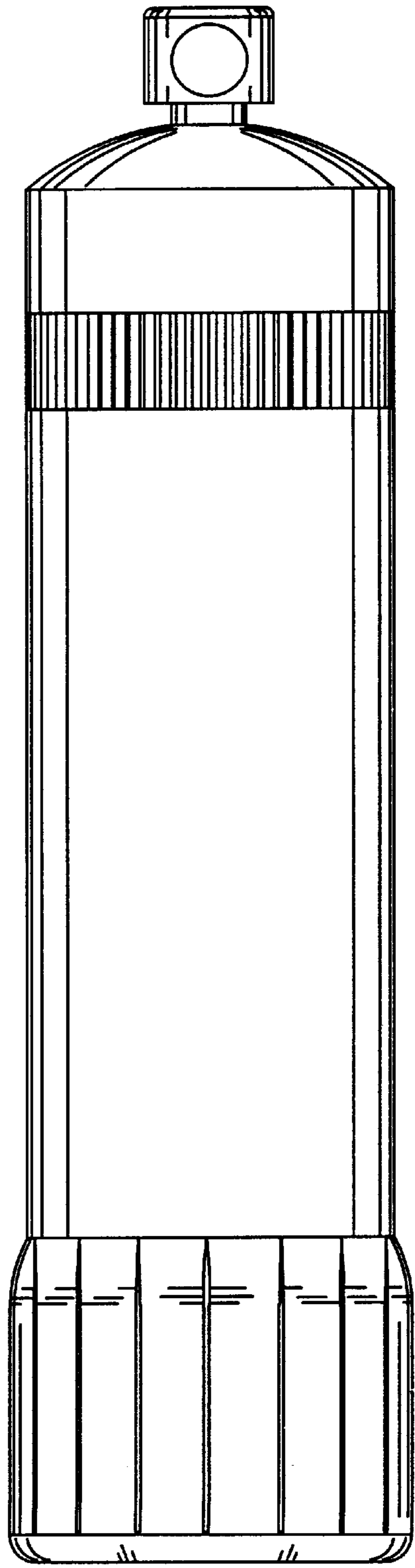


FIG. 6