



US00D429829S

United States Patent [19]

Doran

[11] Patent Number: Des. 429,829

[45] Date of Patent: ** Aug. 22, 2000

[54] **COMBINED NIGHT LIGHT AND OUTLET COVER WITH SAFETY PANEL COVER**

[75] Inventor: **Bruce Doran**, Mt. Kisco, N.Y.

[73] Assignee: **American Tack & Hardware Co., Inc.**, Monsey, N.Y.

[**] Term: **14 Years**

[21] Appl. No.: **29/108,291**

[22] Filed: **Jul. 23, 1999**

[51] **LOC (7) Cl.** **26-05**

[52] **U.S. Cl.** **D26/26; D13/137.1; D13/177**

[58] **Field of Search** D26/24, 25, 26, D26/37, 72, 73, 80, 81, 85, 87, 88, 89, 92, 34, 51; 362/226, 147, 432, 200, 222, 223, 404, 367; D13/177, 137.1

[56] **References Cited**

U.S. PATENT DOCUMENTS

D. 230,189	1/1974	Dietz et al.	D26/26
D. 342,581	12/1993	Reynolds	D26/26
D. 357,941	5/1995	Davis	D13/177 X
D. 375,808	11/1996	Fang	D26/26
D. 376,214	12/1996	Pinchuk	D26/26

D. 376,436	12/1996	Emmerling	D26/26
D. 392,756	3/1998	Hanig et al.	D26/26
D. 402,272	12/1998	Mezey	D13/177
D. 403,786	1/1999	Lai	D26/24
D. 412,886	8/1999	Doran	D13/177

Primary Examiner—Cynthia E. Ramirez
Attorney, Agent, or Firm—Hedman, Gibson & Costigan, P.C.

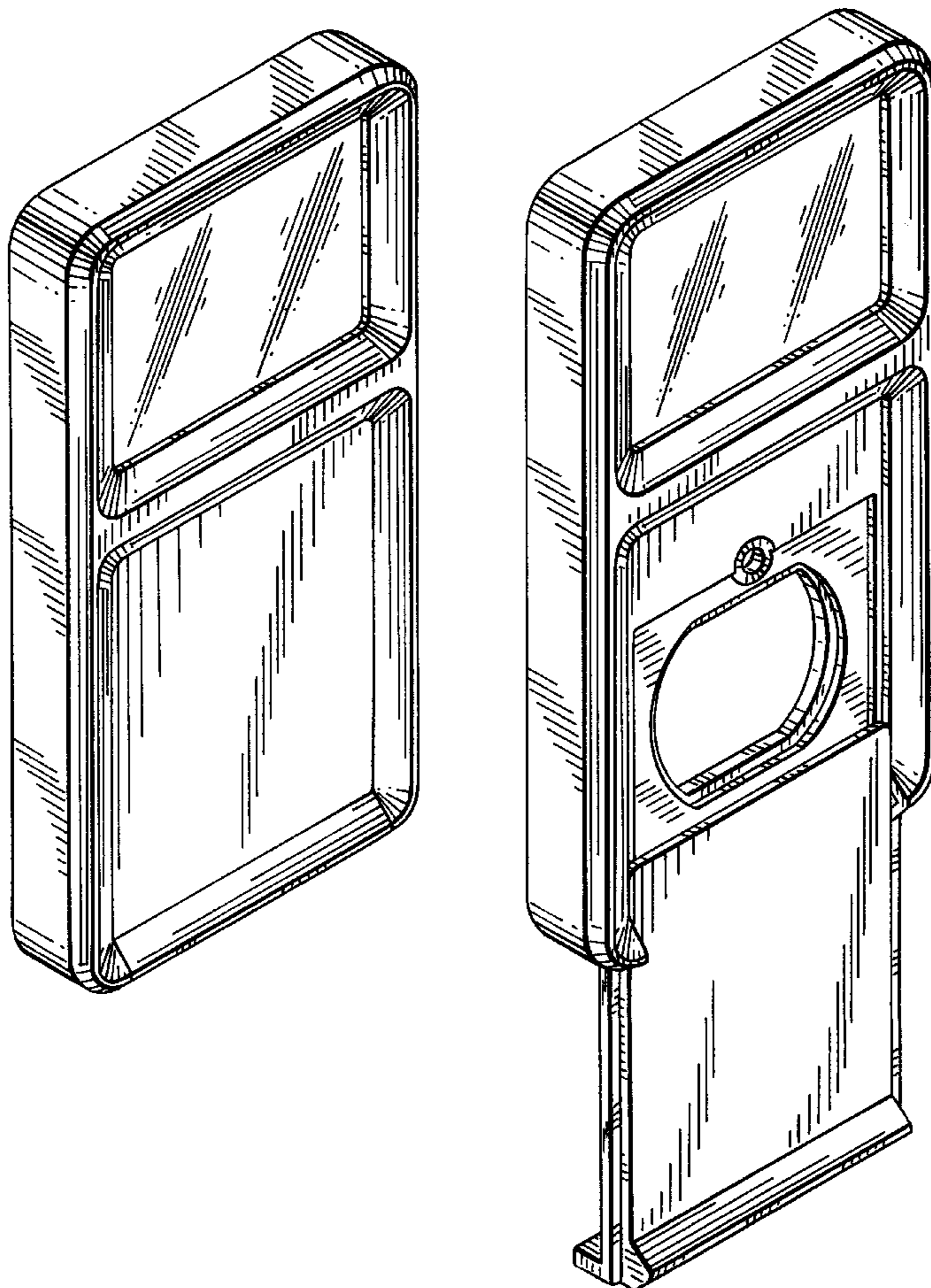
[57] **CLAIM**

The ornamental design for a combined night light and outlet cover with a safety panel cover, as shown and described.

DESCRIPTION

FIG. 1 is a front perspective view of a the combined nightlight and outlet cover with the safety panel cover in place according to my design;
FIG. 2 is a top view of my design;
FIG. 3 is a front view of my design;
FIG. 4 is a right side view of my design which is the mirror image of the left side of my design;
FIG. 5 is a back view of my design;
FIG. 6 is a bottom view of my design; and,
FIG. 7 is a perspective view of my design with the safety panel cover having been moved downwardly.

1 Claim, 3 Drawing Sheets



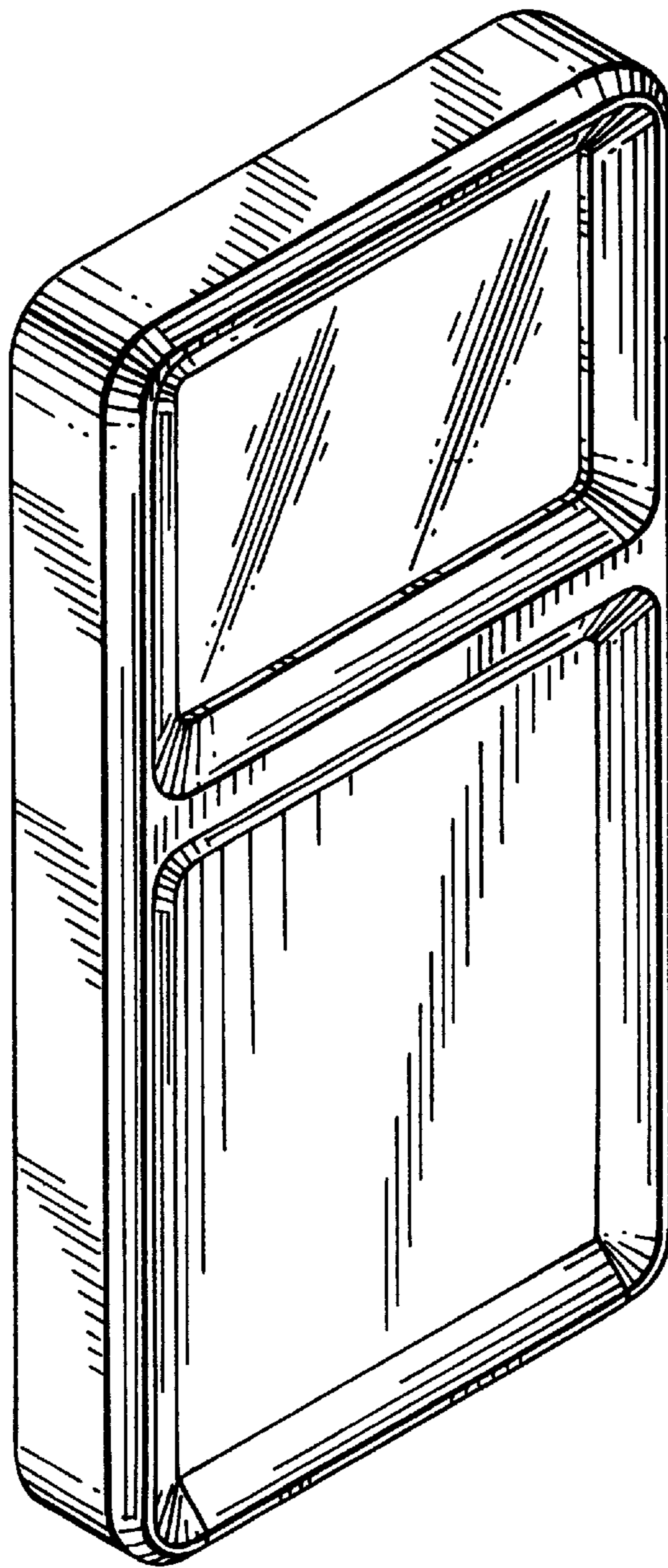


FIG. 1

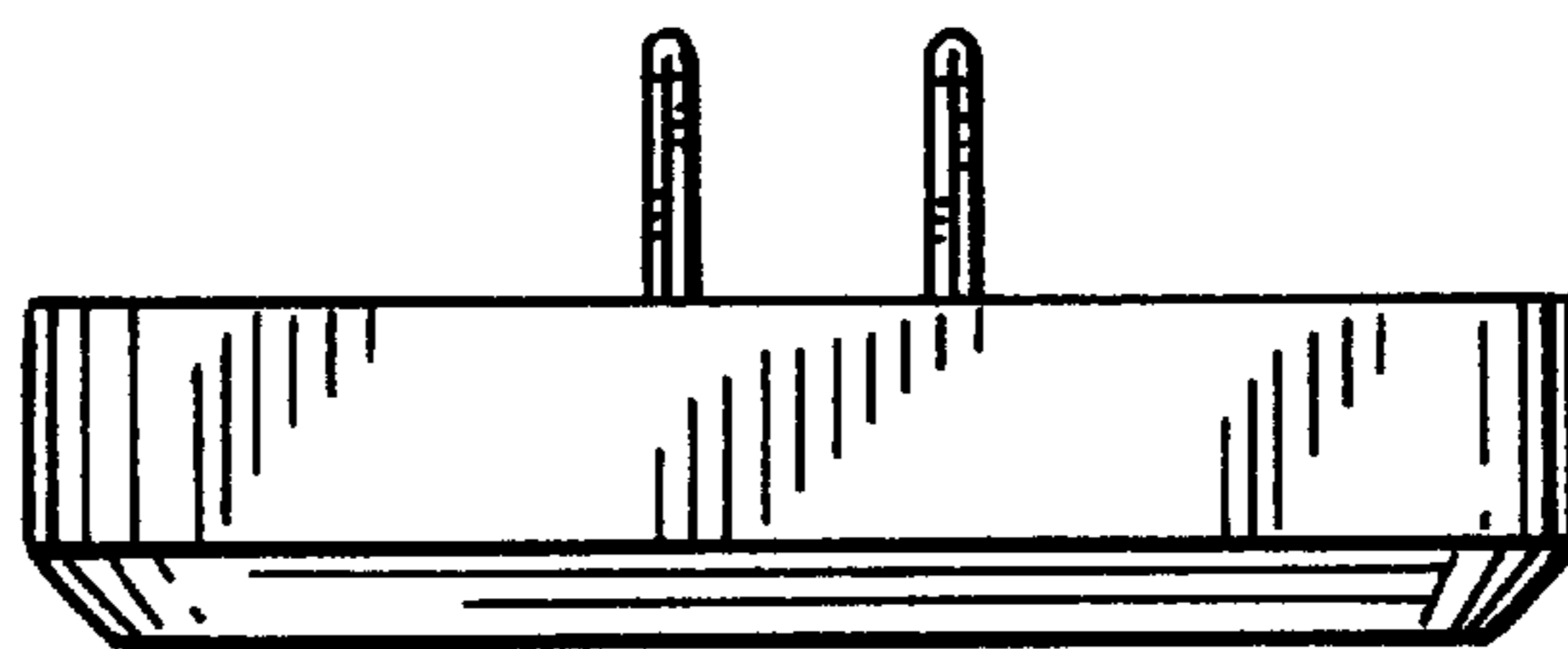
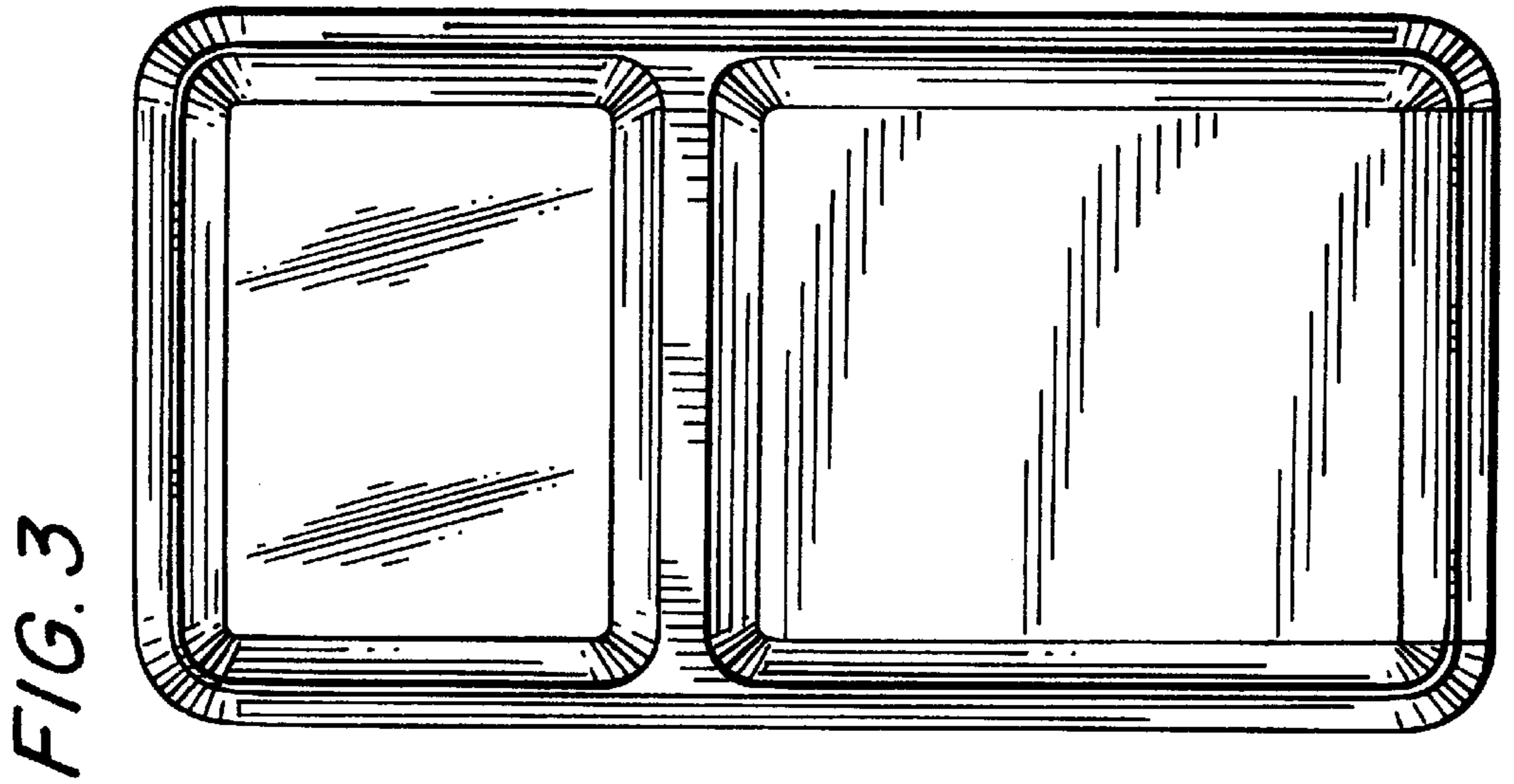
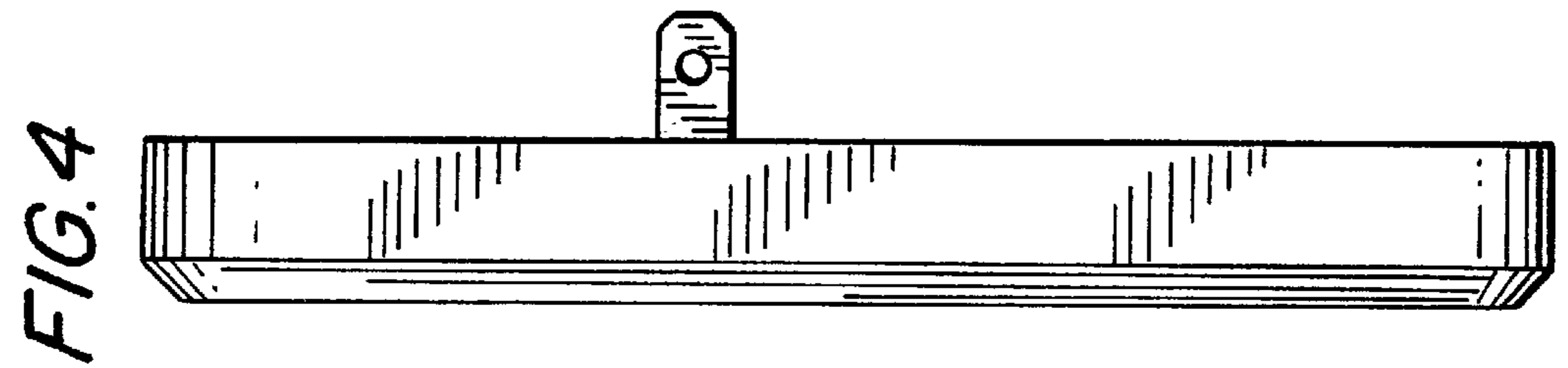
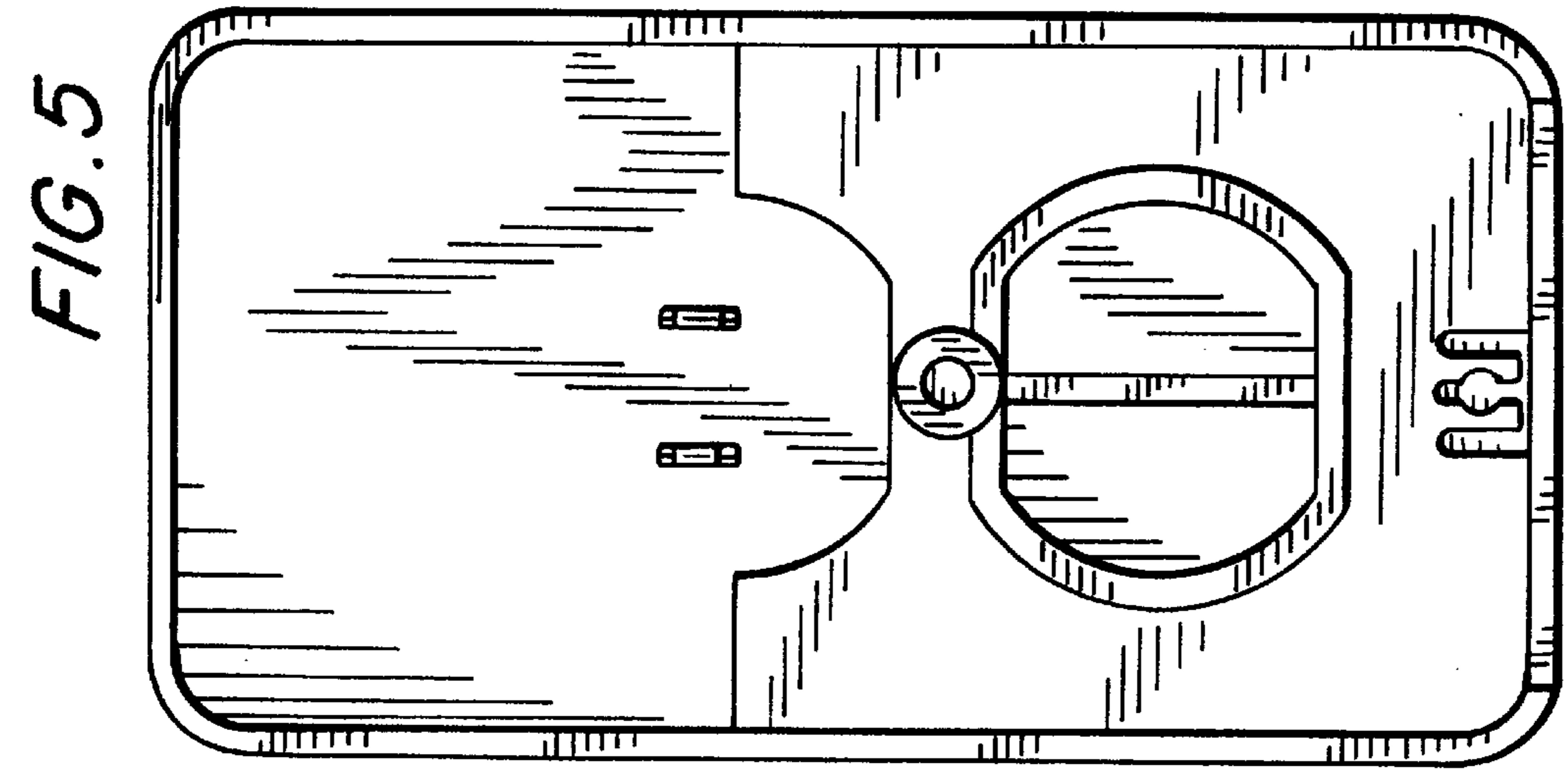


FIG. 2



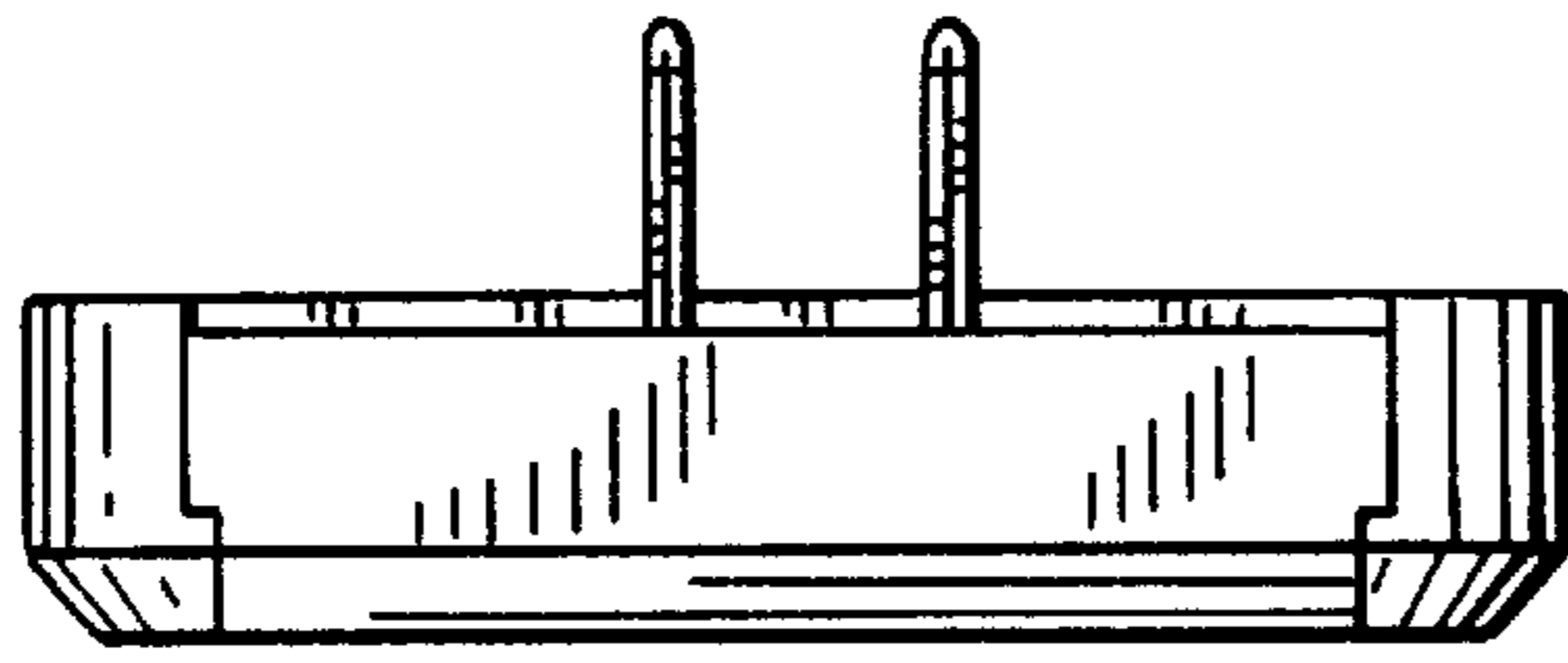


FIG. 6

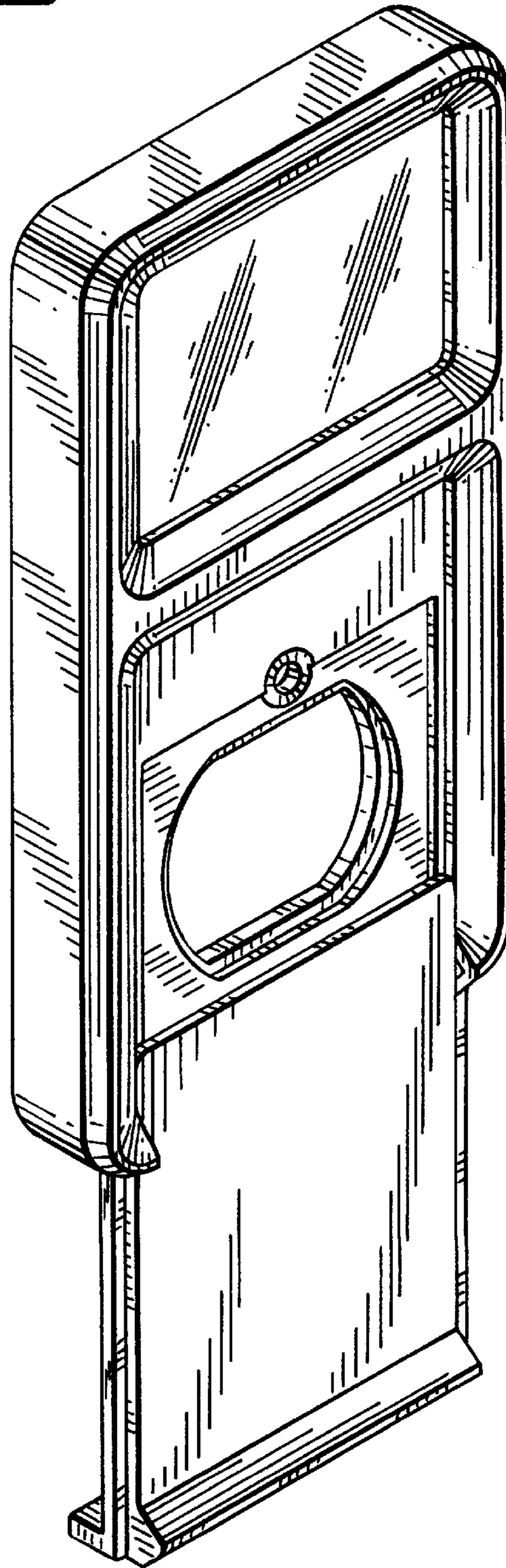


FIG. 7