



US00D429821S

# United States Patent [19]

**Benz et al.**

[11] **Patent Number: Des. 429,821**

[45] **Date of Patent: \*\* Aug. 22, 2000**

[54] **FRAME PROFILE**

[75] Inventors: **Albrecht Benz**,  
Leinfelden-Echterdingen; **Joerg  
Walther**, Korntal; **Johannes Koban**,  
Stuttgart; **Olaf Klemm**,  
Markgroeningen; **Armin  
Breitenbuecher**, Pluederhausen, all of  
Germany

[73] Assignee: **Robert Bosch GmbH**, Stuttgart,  
Germany

[\*\*] Term: **14 Years**

[21] Appl. No.: **29/088,129**

[22] Filed: **May 15, 1998**

[30] **Foreign Application Priority Data**

Nov. 19, 1997 [DE] Germany ..... 97 10 771

[51] **LOC (7) Cl.** ..... **25-02**

[52] **U.S. Cl.** ..... **D25/60**

[58] **Field of Search** ..... D25/61, 52, 124,  
D25/122, 60; 52/204.1, 205, 206, 204.5

[56] **References Cited**

**U.S. PATENT DOCUMENTS**

D. 313,078 12/1990 Rinehart ..... D25/60

D. 373,832 9/1996 Nomura ..... D25/122  
5,199,235 4/1993 Holkenbrink et al. .... 52/205  
5,657,591 8/1997 Kitada ..... 52/204.1

**FOREIGN PATENT DOCUMENTS**

91 03 993 U1 12/1991 Germany .

*Primary Examiner*—Doris Clark  
*Attorney, Agent, or Firm*—Michael J. Striker

[57] **CLAIM**

The ornamental design for a frame profile, as shown and described.

**DESCRIPTION**

FIG. 1 is a top, front, and right side perspective view showing our new design;

FIG. 2 is a front elevational view thereof;

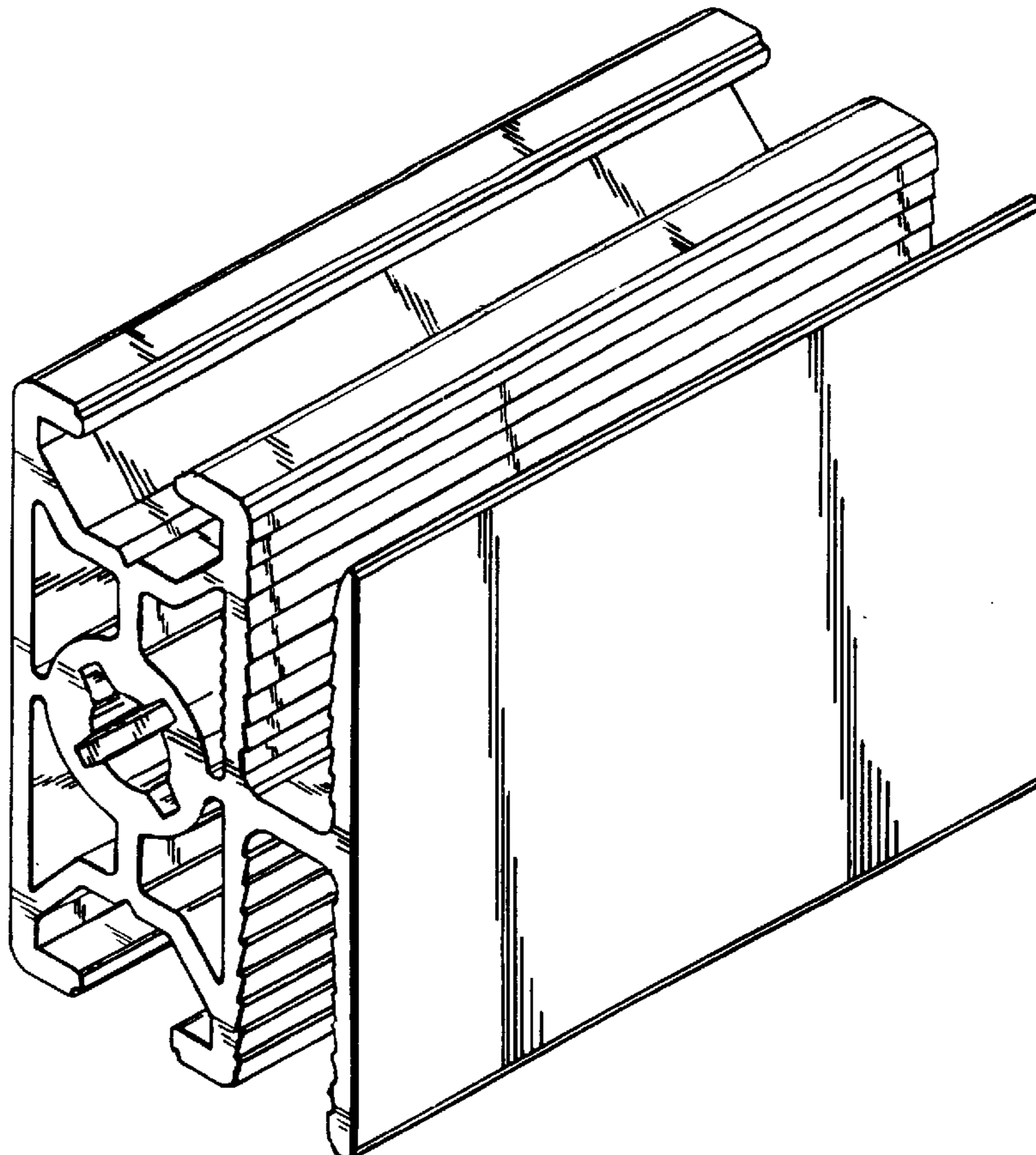
FIG. 3 is a right side elevational view thereof;

FIG. 4 is a rear elevational view thereof;

FIG. 5 is left side elevational view thereof; and,

FIG. 6 is a top plan view, the bottom plan view being a mirror image thereof.

**1 Claim, 2 Drawing Sheets**



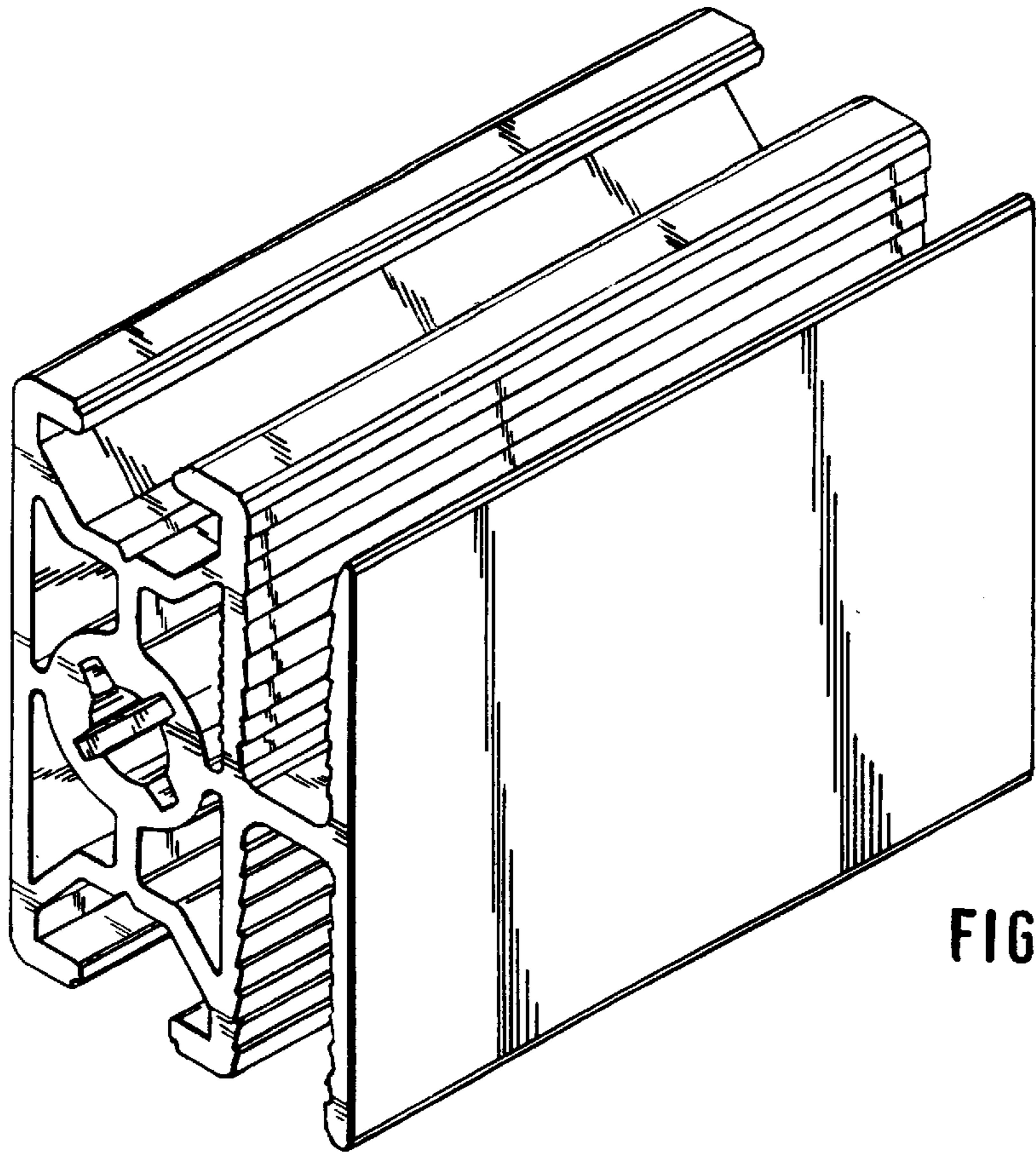


FIG. 1

FIG. 2

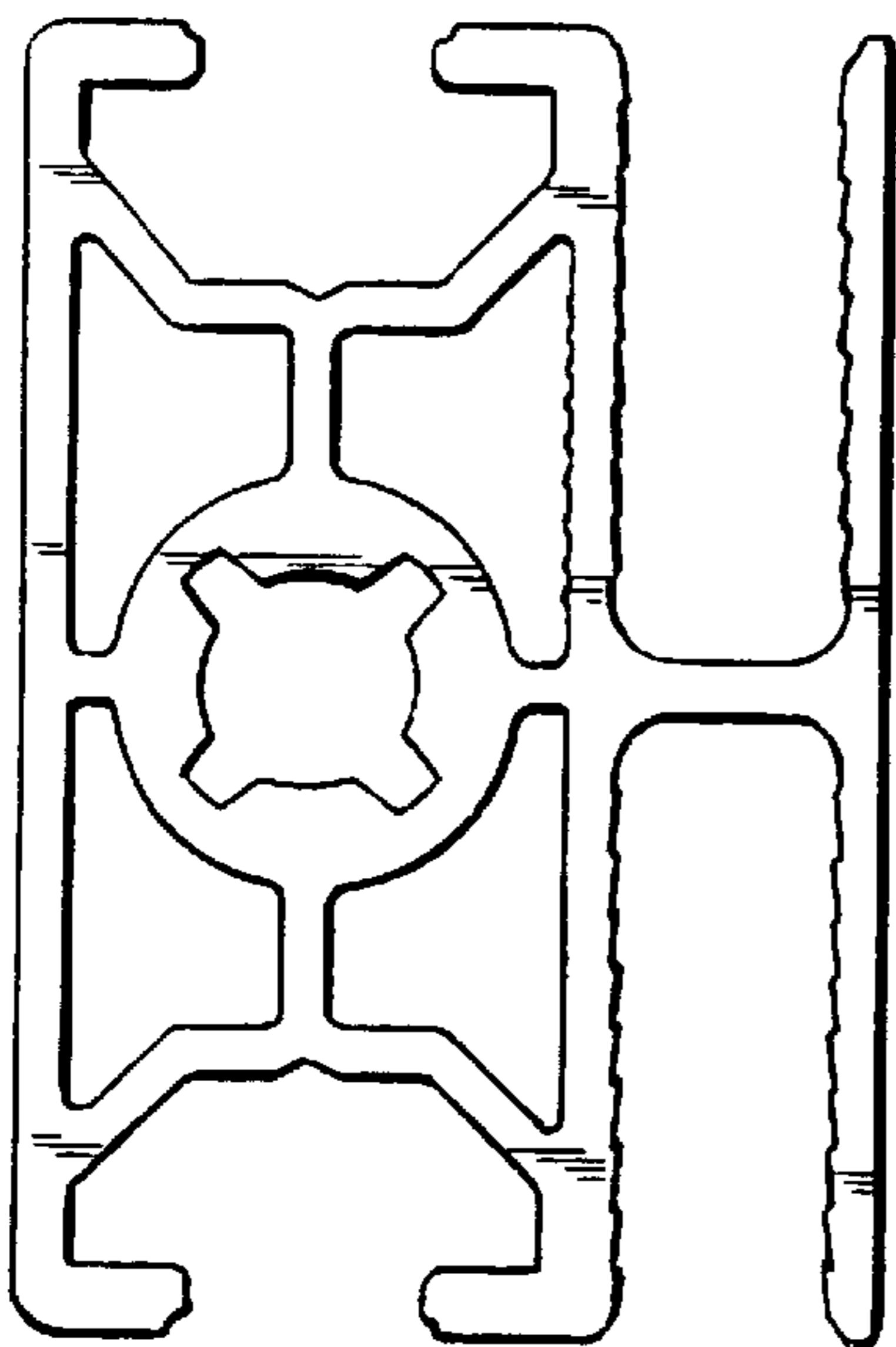


FIG. 3

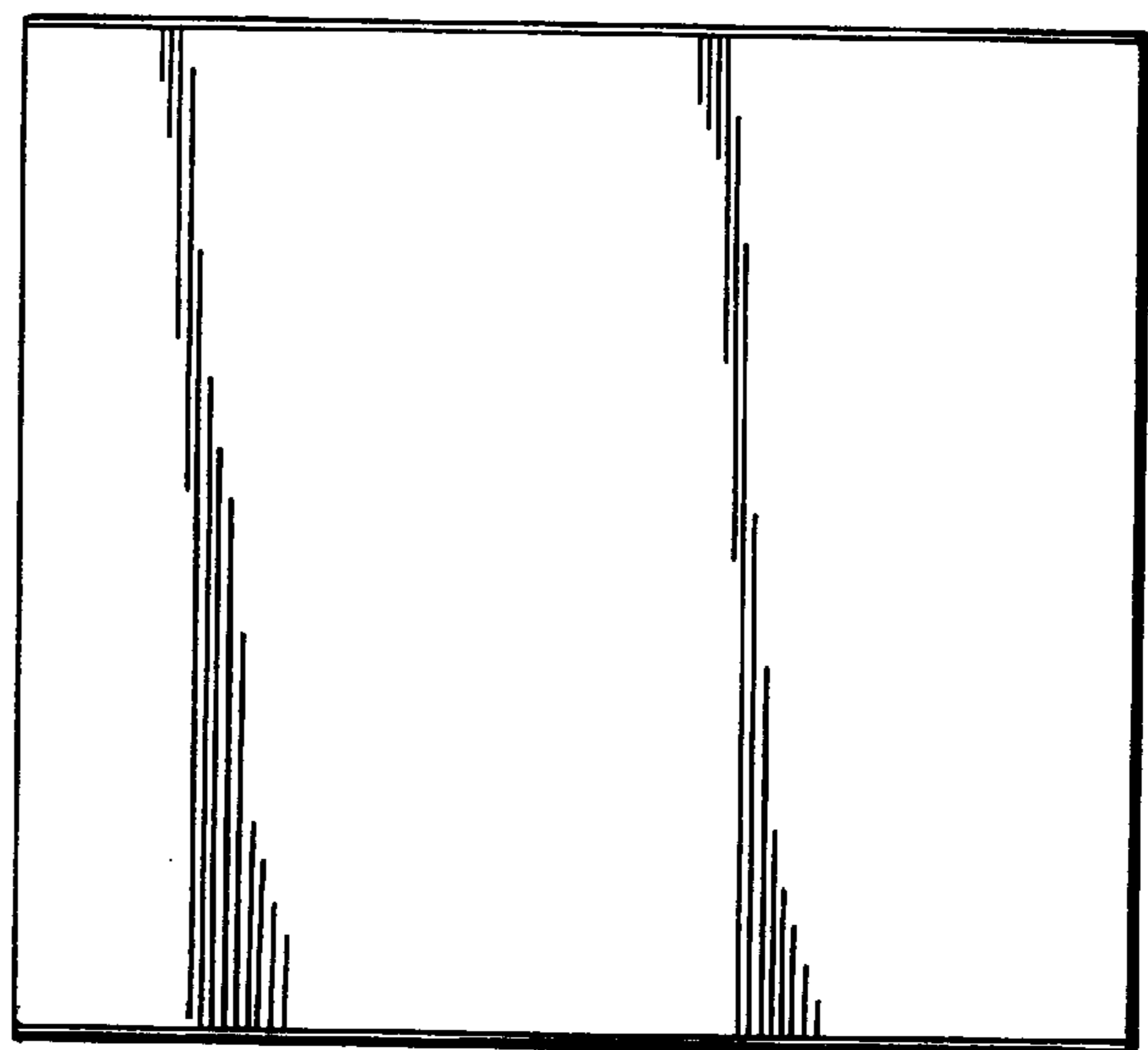


FIG. 4

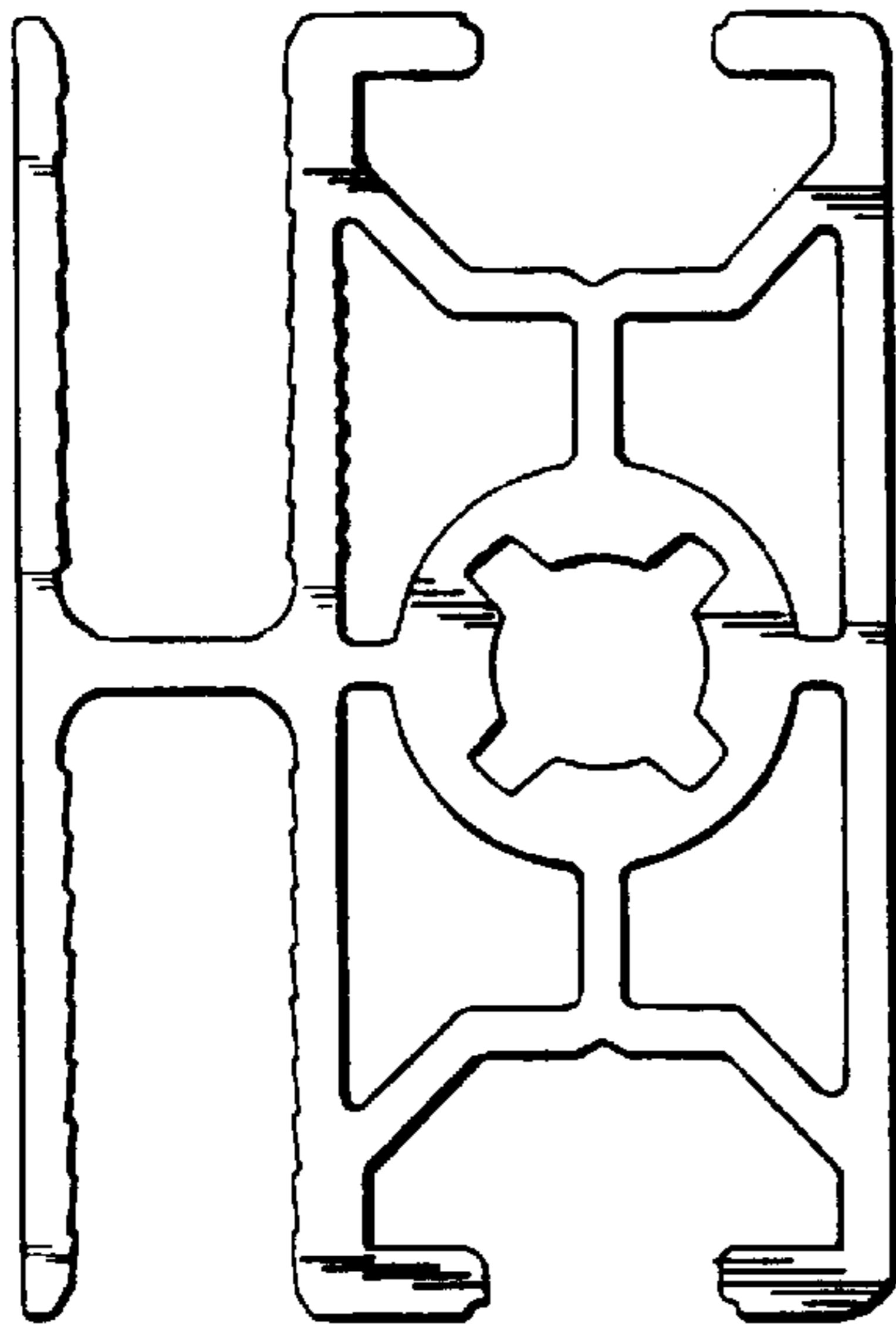


FIG. 5

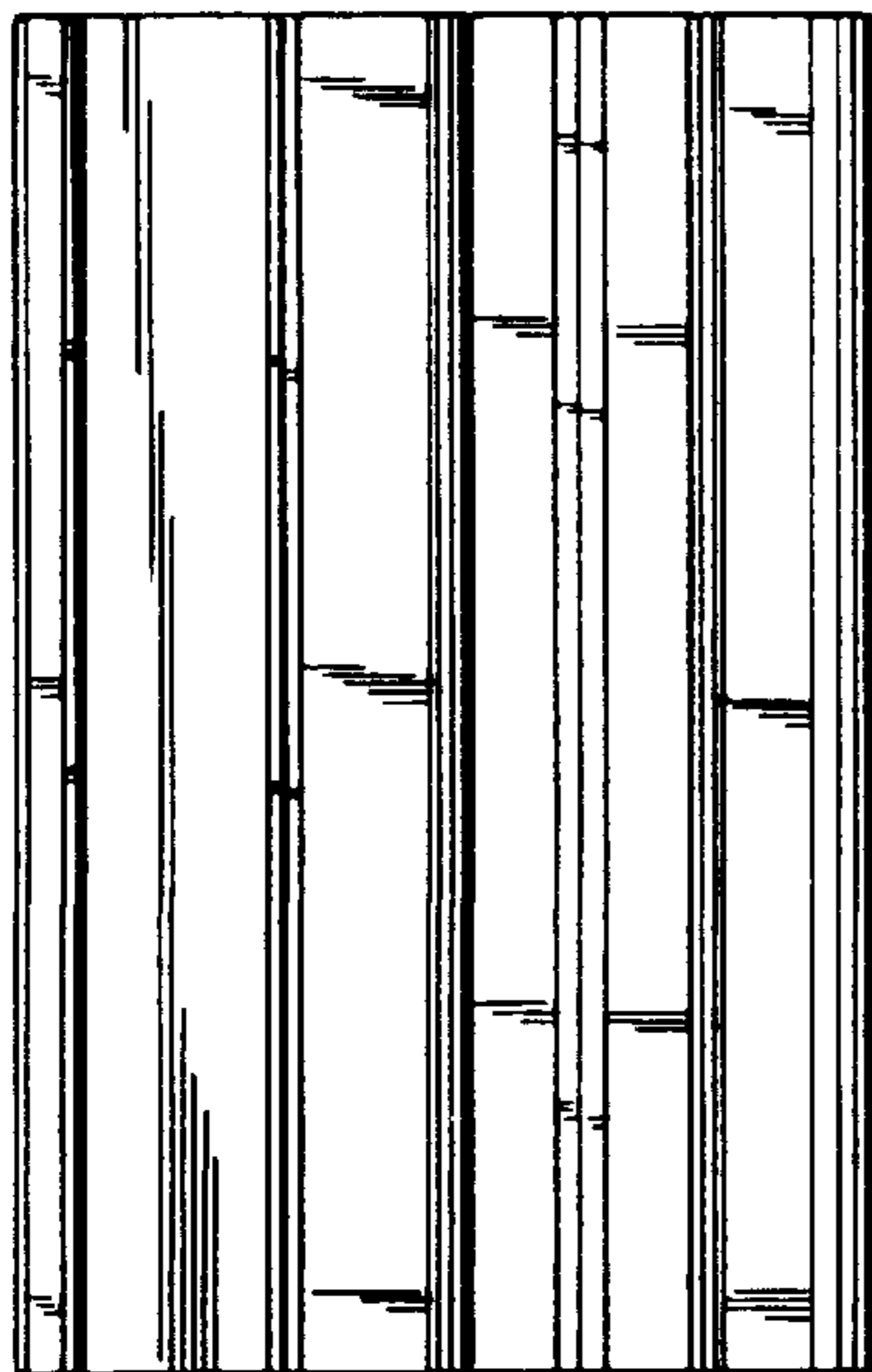
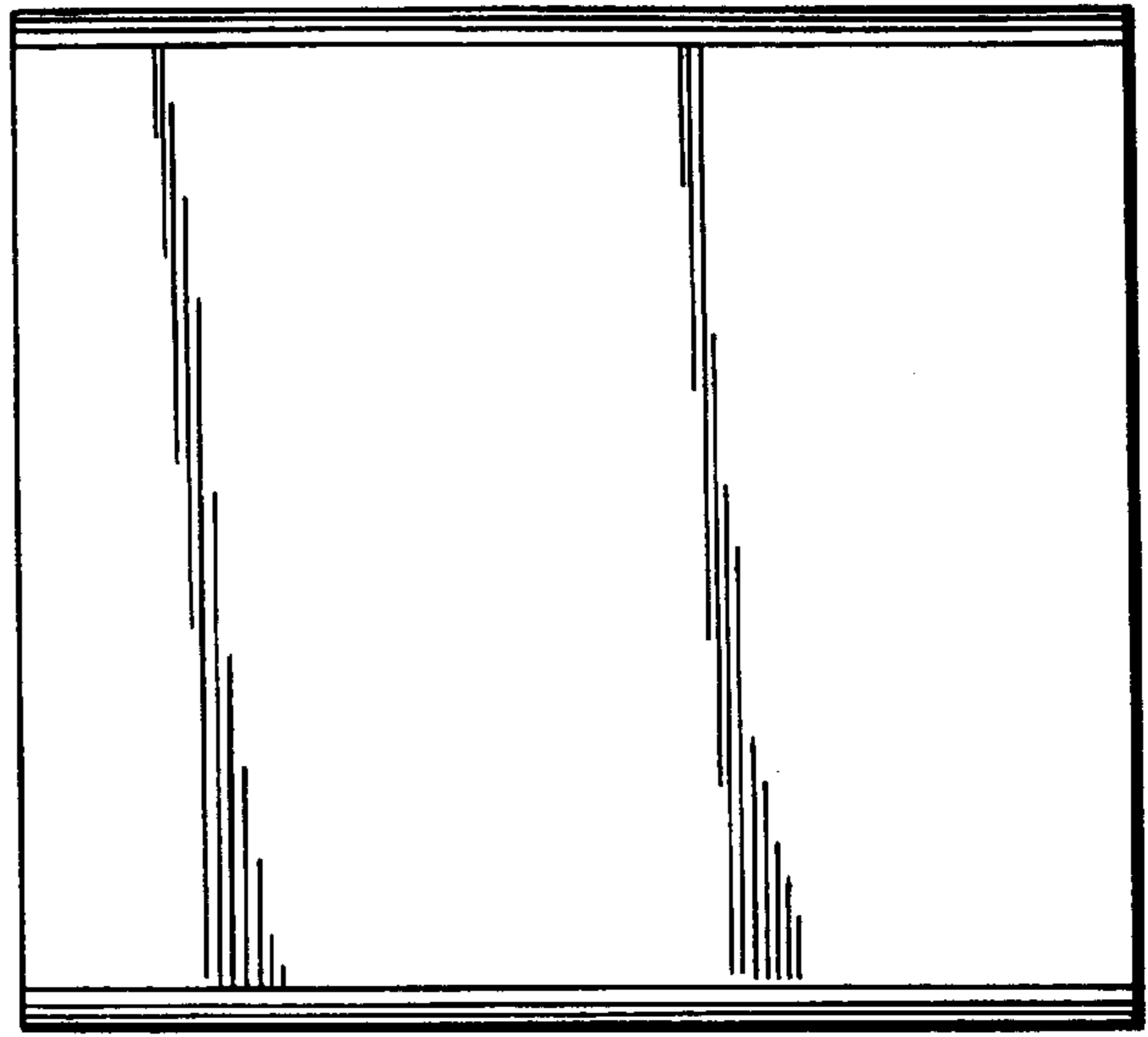


FIG. 6