



US00D429814S

United States Patent [19]

Lörwald et al.

[11] Patent Number: **Des. 429,814**

[45] Date of Patent: **** Aug. 22, 2000**

[54] **BLOOD LANCETTE**

[75] Inventors: **Dieter Lörwald**, Hamburg; **Hans Jürgen Kuhr**, Mannheim; **Hans Kintzig**, Tiefenthal, all of Germany

[73] Assignee: **Roche Diagnostics Corporation**, Indianapolis, Ind.

[**] Term: **14 Years**

[21] Appl. No.: **29/108,081**

[22] Filed: **Jul. 16, 1999**

[51] **LOC (7) Cl.** **24-02**

[52] **U.S. Cl.** **D24/147; D24/140**

[58] **Field of Search** D24/114, 112, D24/146, 147; 606/181, 185, 182

[56] **References Cited**

U.S. PATENT DOCUMENTS

D. 277,507 2/1985 Levy D24/147

D. 297,459	8/1988	Heiland et al.	D24/147
D. 342,573	12/1993	Cerola	D24/147
5,269,799	12/1993	Daniel	606/182
5,304,193	4/1994	Zhadanov	606/182
5,423,847	6/1995	Strong et al.	606/182
5,464,418	11/1995	Schraga	606/182

Primary Examiner—Ian Simmons
Attorney, Agent, or Firm—Faegre & Benson LLP

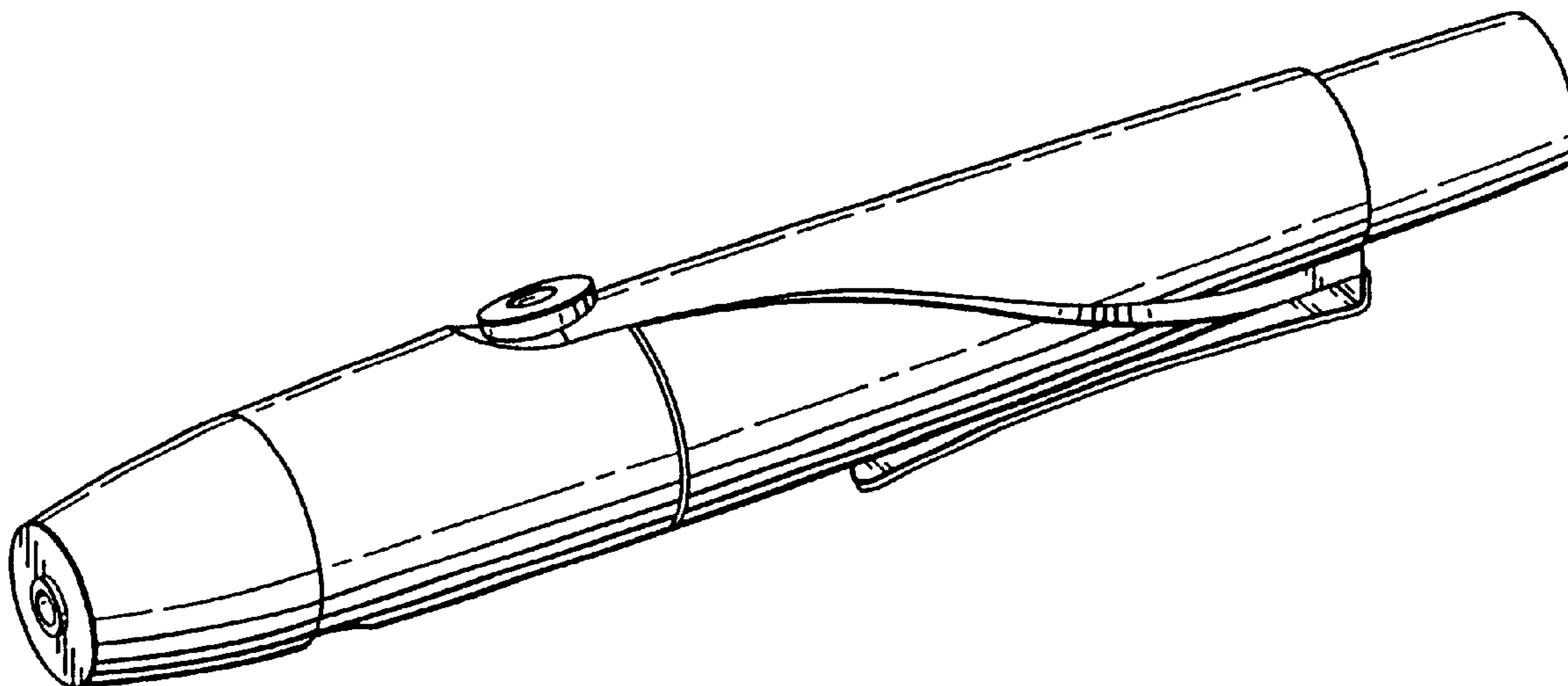
[57] **CLAIM**

The ornamental design for a blood lancette, as shown and described.

DESCRIPTION

FIG. 1 is a view in perspective of a blood lancette; FIG. 2 is a top plan view of the blood lancette of FIG. 1; FIG. 3 is a side plan view of the blood lancette of FIG. 1; FIG. 4 is a bottom plan view of the blood lancette of FIG. 1; FIG. 5 is an end view of the blood lancette of FIG. 1; and, FIG. 6 is an end view of the blood lancette of FIG. 1.

1 Claim, 1 Drawing Sheet



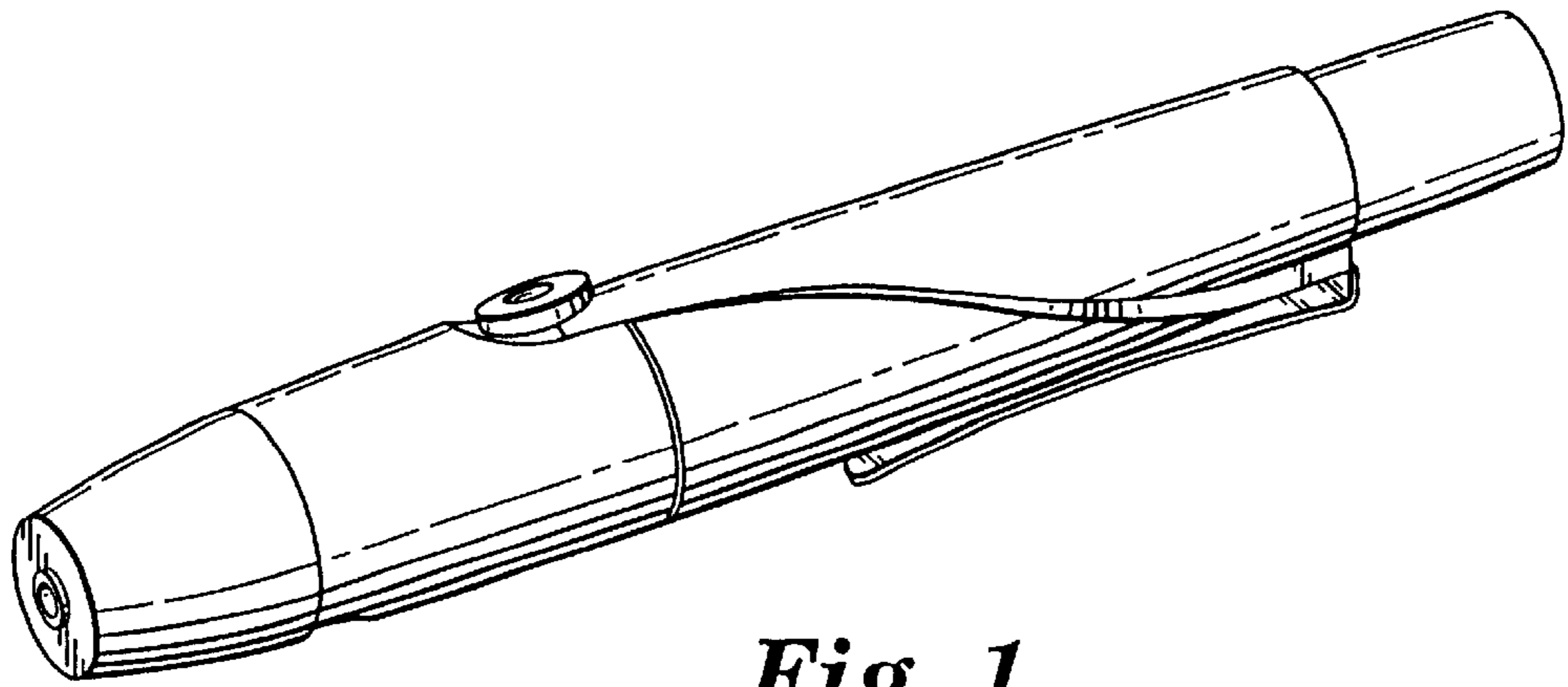


Fig. 1

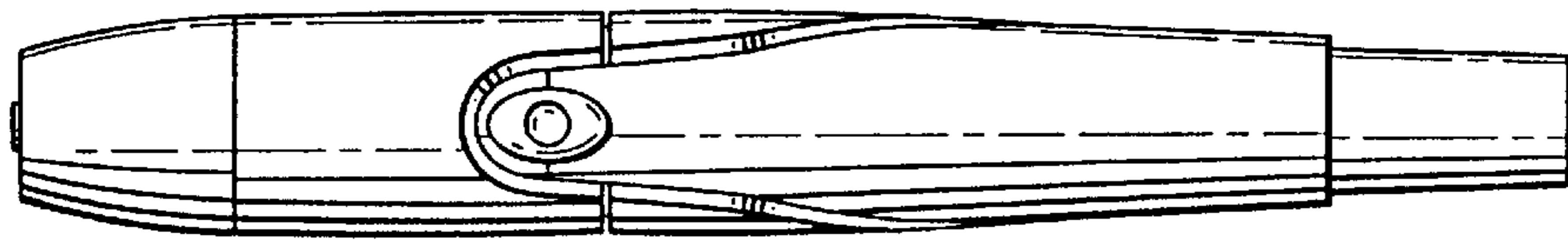


Fig. 2



Fig. 3

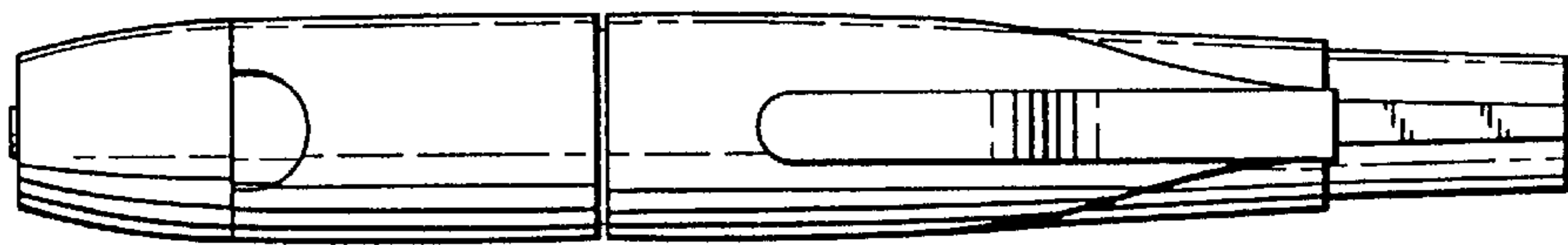


Fig. 4

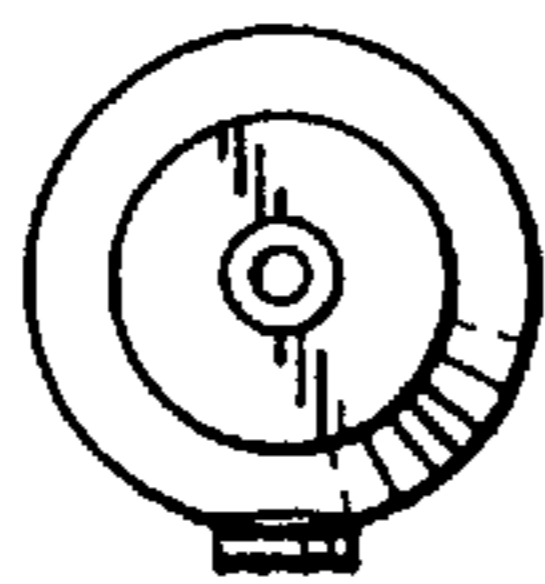


Fig. 5

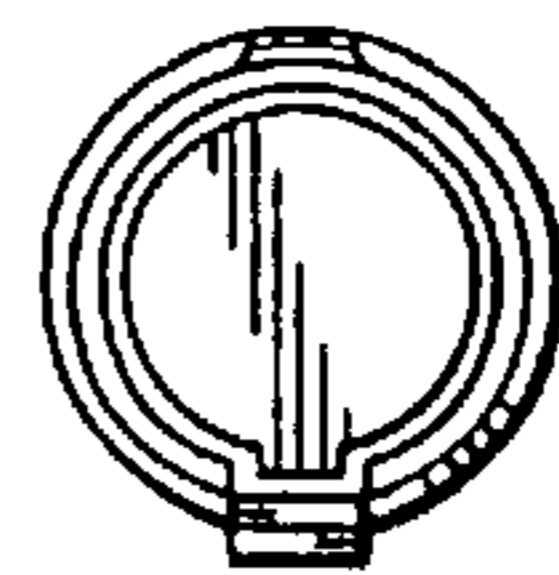


Fig. 6