



US00D429812S

United States Patent [19]

Hjertman et al.

[11] Patent Number: Des. 429,812

[45] Date of Patent: ** Aug. 22, 2000

[54] DISPOSABLE SYRINGE

[75] Inventors: Birger Hjertman, Vällingby; Rudolf Cseke, Sollentuna, both of Sweden

[73] Assignee: Pharmacia & Upjohn AB, Stockholm, Sweden

[**] Term: 14 Years

[21] Appl. No.: 29/101,479

[22] Filed: Mar. 4, 1999

[30] Foreign Application Priority Data

Sep. 7, 1998 [SE] Sweden 98-1766

[51] LOC (7) Cl. 24-02

[52] U.S. Cl. D24/114

[58] Field of Search D24/114, 112, D24/176, 152; 604/134, 132, 135, 136, 137, 156, 218, 222, 90, 89, 91

[56] References Cited

U.S. PATENT DOCUMENTS

- D. 323,030 1/1992 Ahlstrand et al. D24/114
- D. 324,423 3/1992 Ahlstrand et al. D24/114
- D. 401,324 11/1998 Hjertman et al. D24/114

- D. 401,325 11/1998 Hjertman et al. D24/114
- 4,968,299 11/1990 Ahlstrand et al. 604/90
- 5,042,977 8/1991 Bechtold et al. 604/134

Primary Examiner—Ian Simmons
Attorney, Agent, or Firm—Young & Thompson

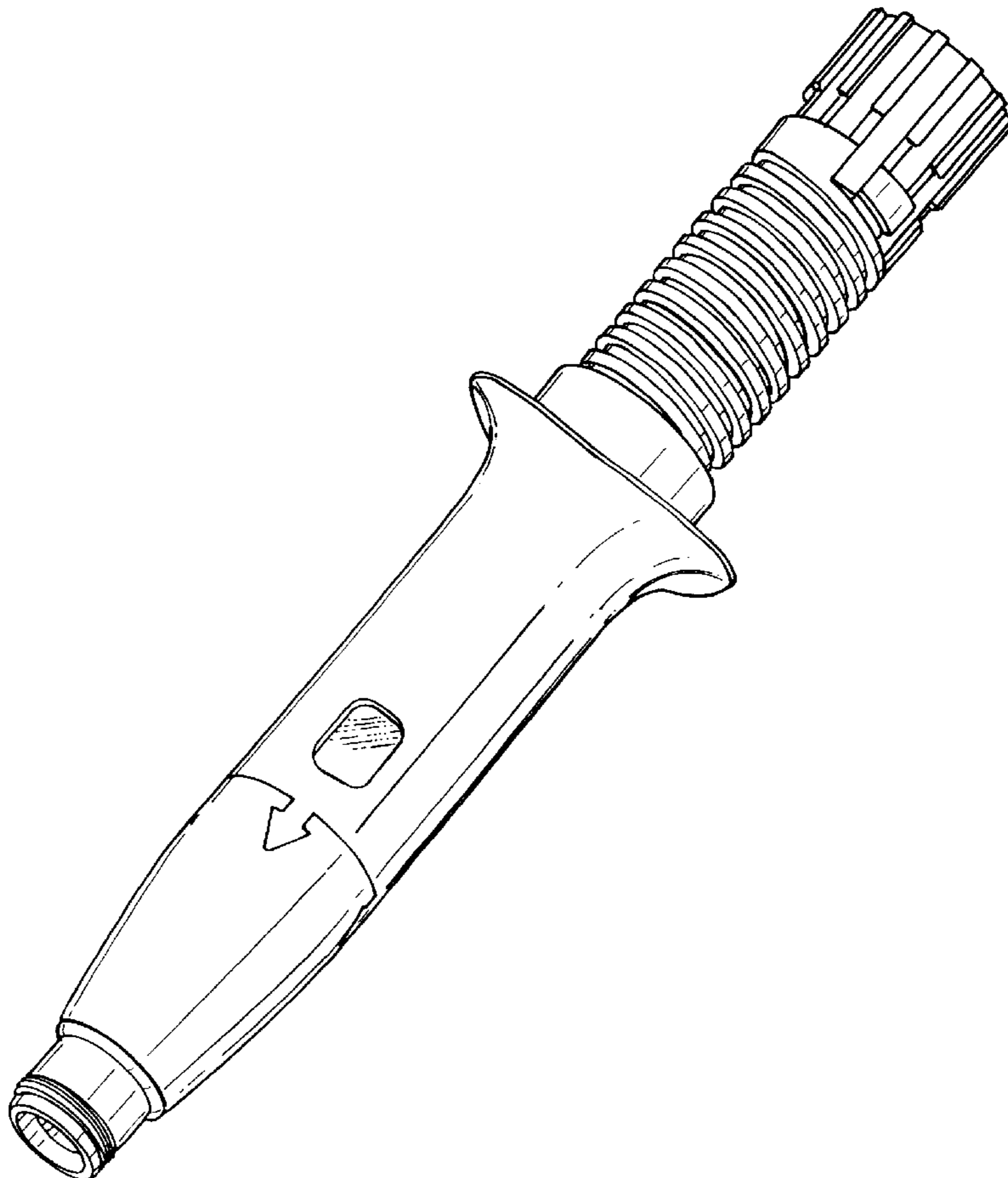
[57] CLAIM

The ornamental design for a disposable syringe, as shown and described.

DESCRIPTION

FIG. 1 is a left side perspective view of a disposable syringe seen slightly from below, showing our new design;
 FIG. 2 is a right side perspective view thereof, seen slightly from above;
 FIG. 3 is a right side elevational view thereof;
 FIG. 4 is a left side elevational view thereof;
 FIG. 5 is a side elevational view thereof, rotated ninety degrees from that shown in FIG. 3;
 FIG. 6 is a side elevational view thereof, rotated ninety degrees from that shown in FIG. 4;
 FIG. 7 is a bottom plan view thereof;
 FIG. 8 is a top plan view thereof; and,
 FIG. 9 is a left side perspective view thereof, seen slightly from above, with the piston rod protruding in its full length.

1 Claim, 4 Drawing Sheets



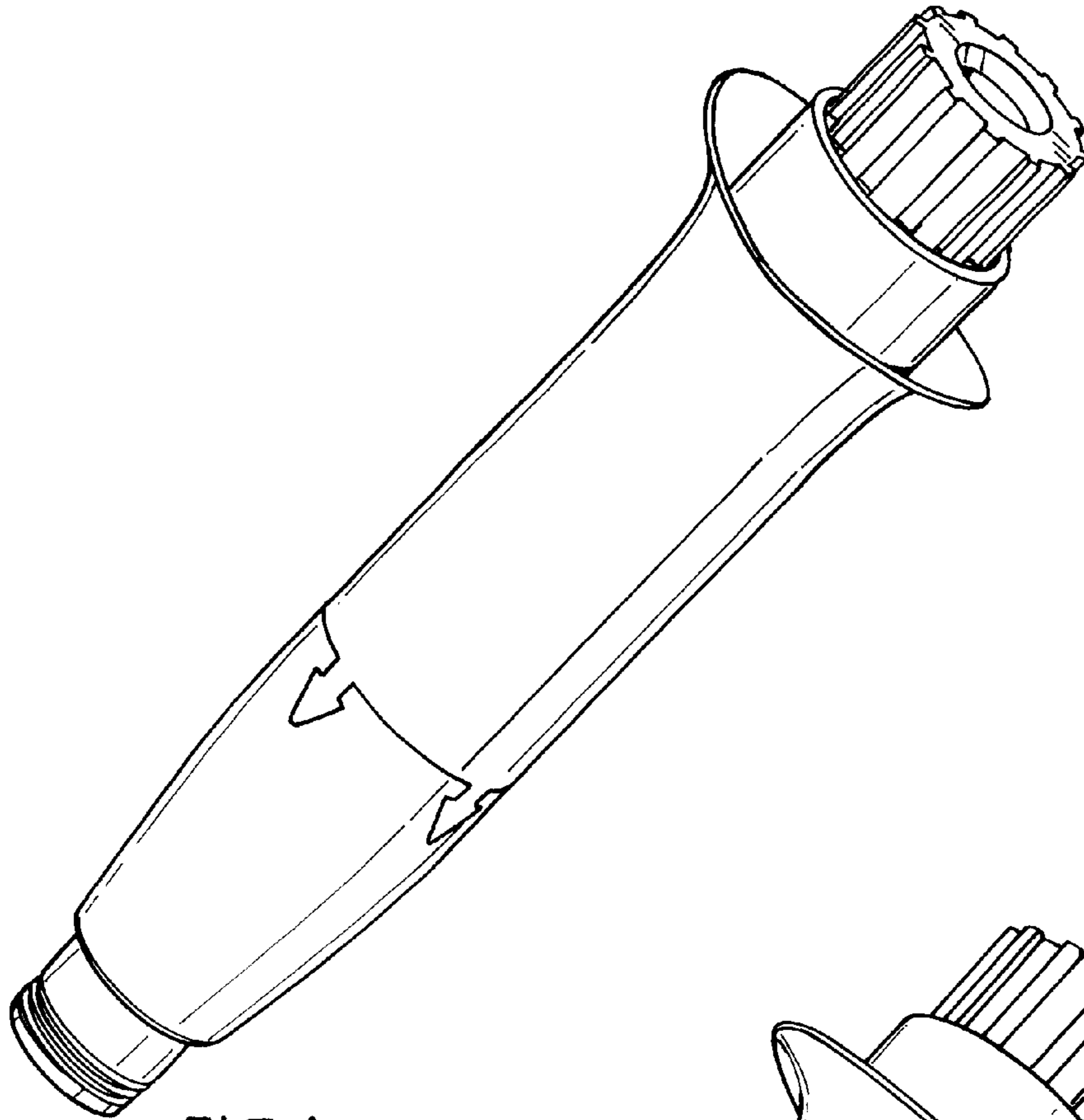


FIG. 1

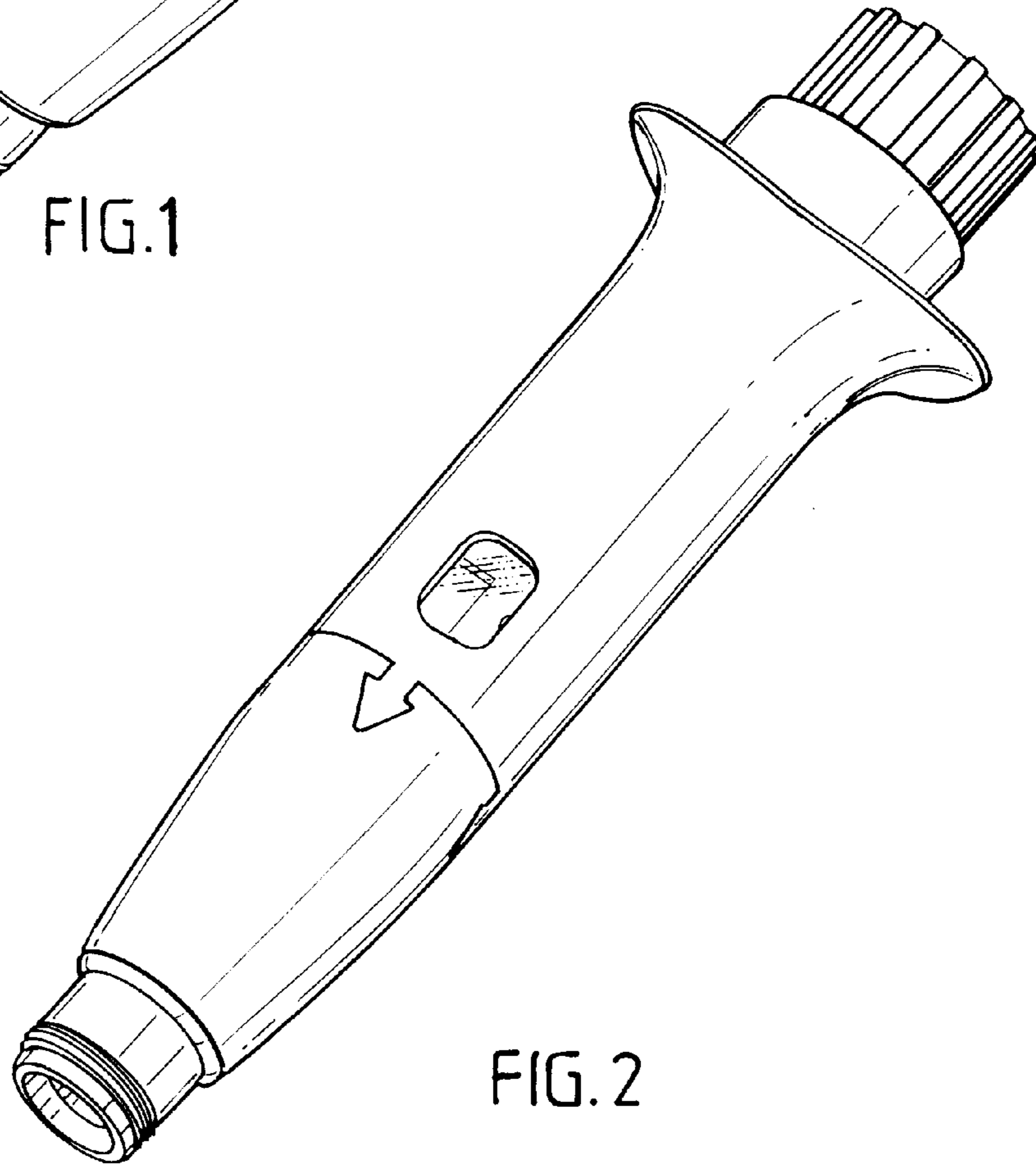


FIG. 2

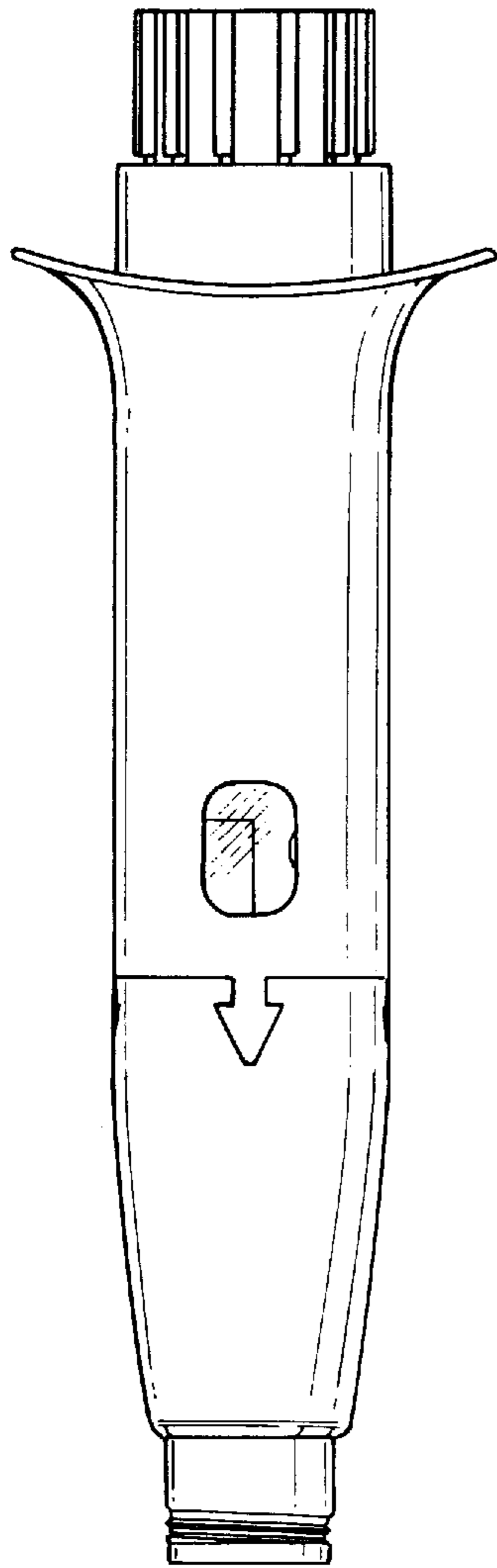


FIG. 3

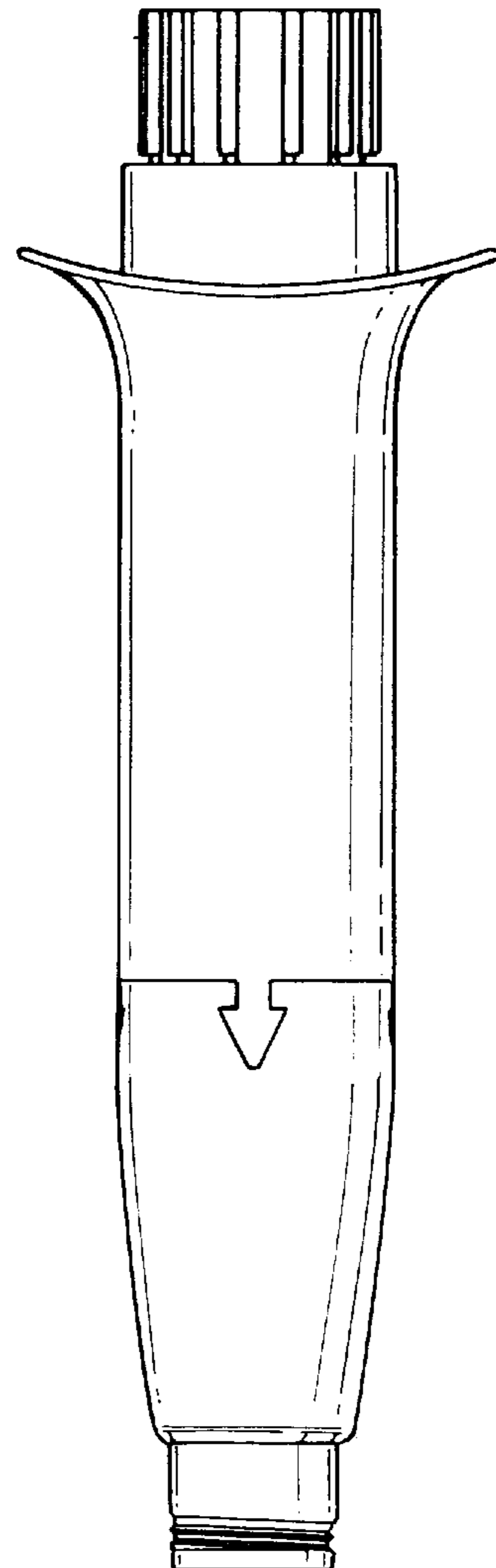


FIG. 4

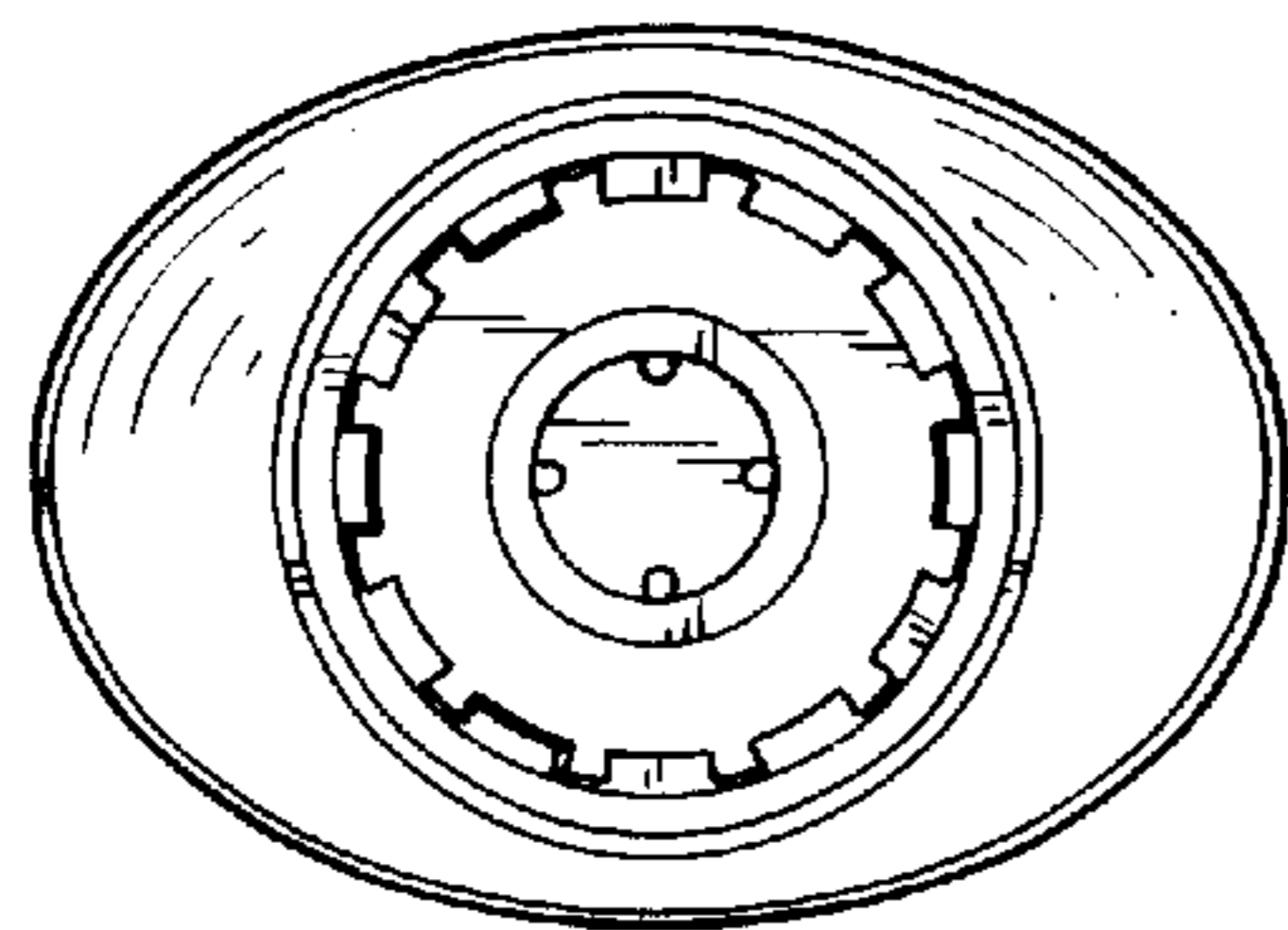


FIG. 7

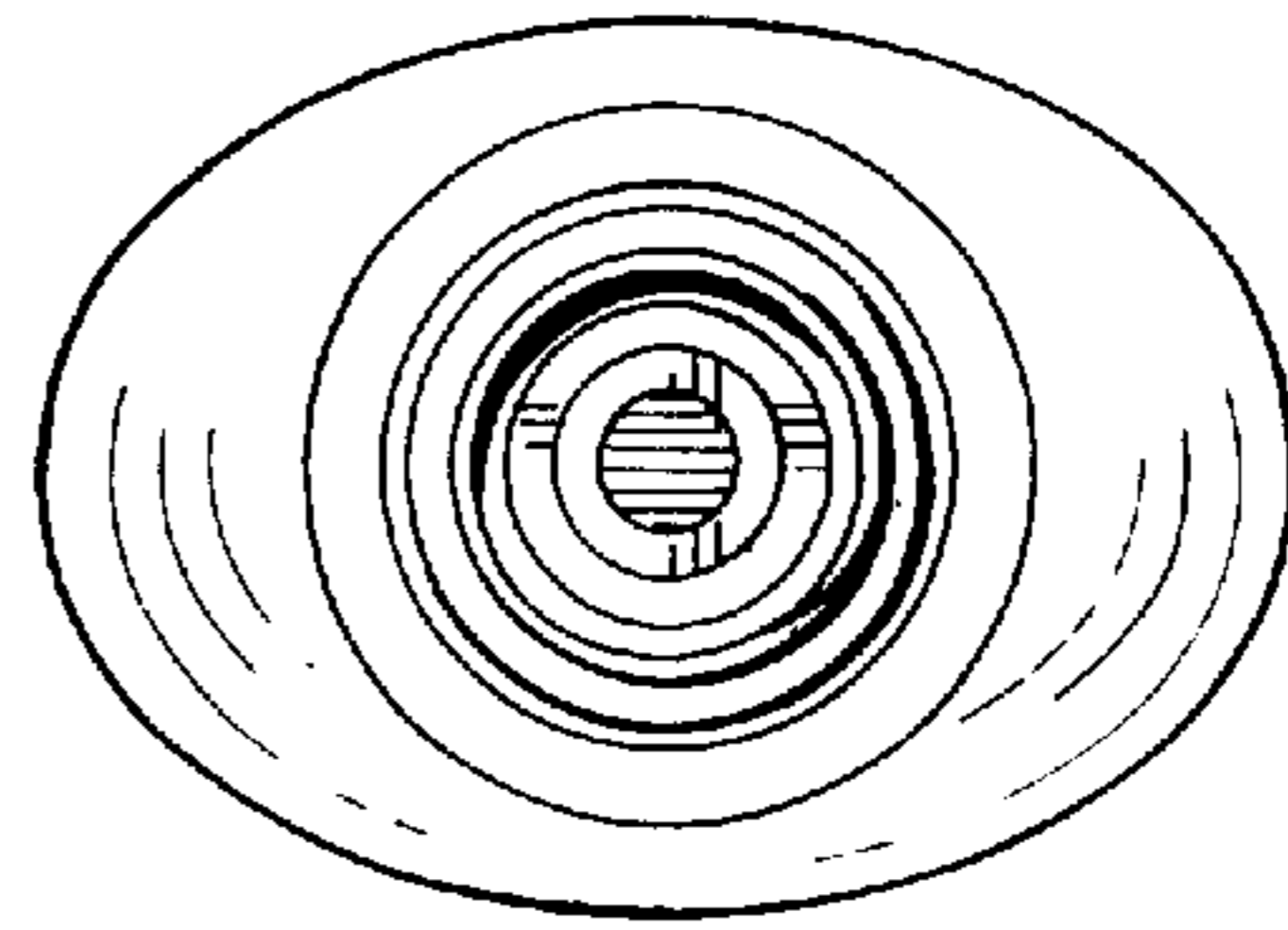


FIG. 8

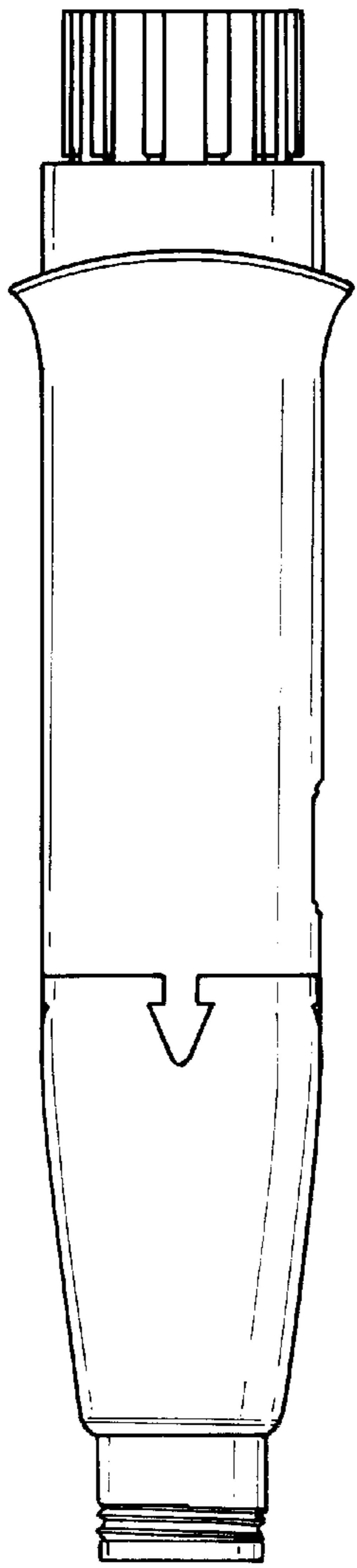


FIG. 5

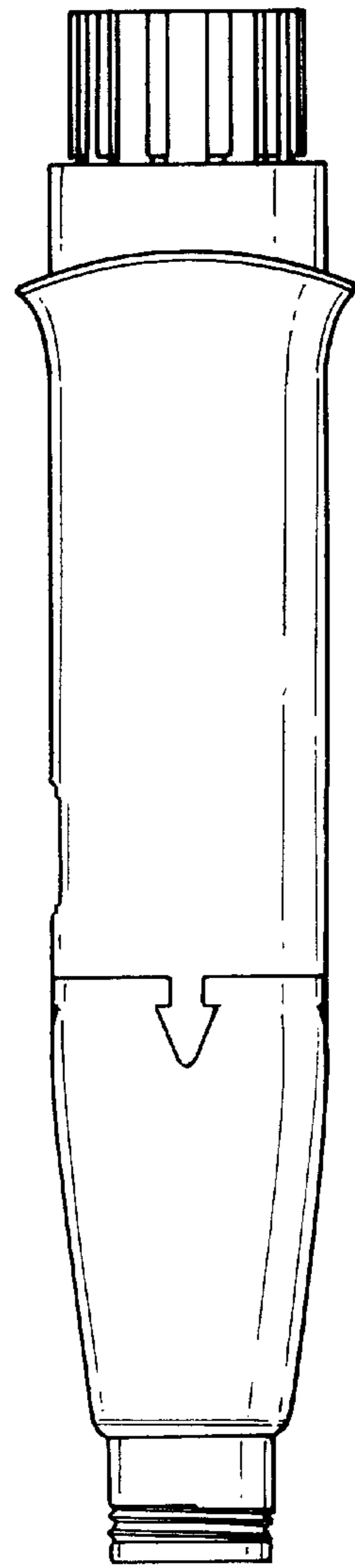


FIG. 6

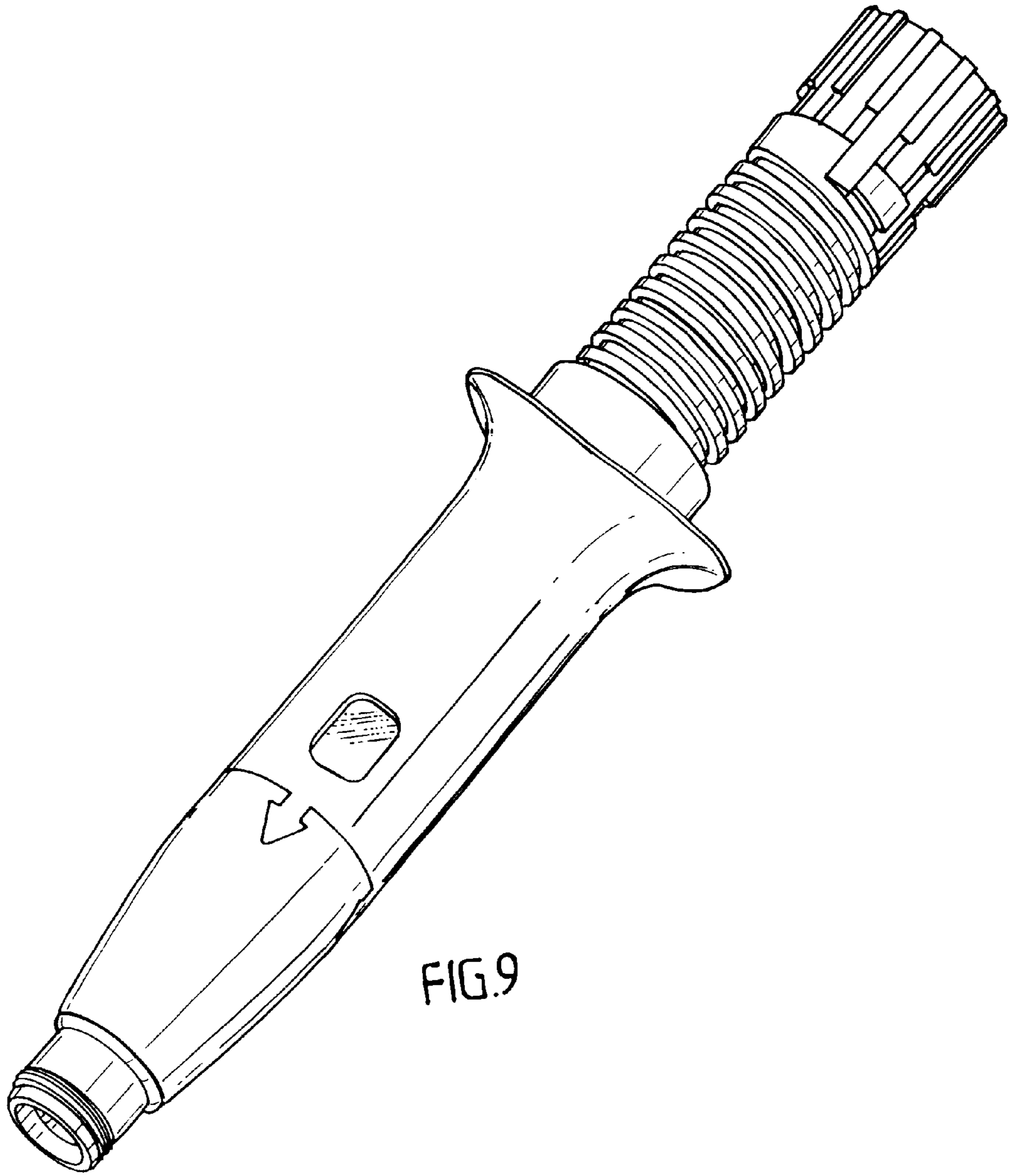


FIG. 9