



US00D429811S

# United States Patent [19]

Bermudez

[11] Patent Number: Des. 429,811

[45] Date of Patent: \*\* Aug. 22, 2000

[54] VENTILATING INTUBATING LARYNGEAL MASK AIRWAY

5,964,217	10/1999	Christopher .....	128/200.26
5,979,445	11/1999	Neame et al. ....	128/207.15
6,021,779	2/2000	Pagan .....	128/207.15

[76] Inventor: Joseph Anthony Bermudez, 6143 Acacia Ave., Oakland, Calif. 94618

Primary Examiner—Ian Simmons  
Attorney, Agent, or Firm—Goldstein & Canino

[\*\*] Term: 14 Years

### [57] CLAIM

[21] Appl. No.: 29/099,384

The ornamental design for a ventilating intubating laryngeal mask airway, as shown and described.

[22] Filed: Jan. 20, 1999

### DESCRIPTION

[51] LOC (7) Cl. .... 29-02

[52] U.S. Cl. .... D24/110.5; D24/110.1

[58] Field of Search ..... D24/110, 110.1, D24/110.5, 110.4; 128/207.14, 207.15, 200.26

FIG. 1 is a diagrammatic perspective view of the ventilating intubating laryngeal mask airway.

FIG. 2 is a front elevational view thereof.

FIG. 3 is a rear elevational view thereof.

FIG. 4 is a left side elevational view thereof.

FIG. 5 is a right side elevational view thereof.

FIG. 6 is a top plan view thereof; and,

FIG. 7 is a bottom plan view thereof.

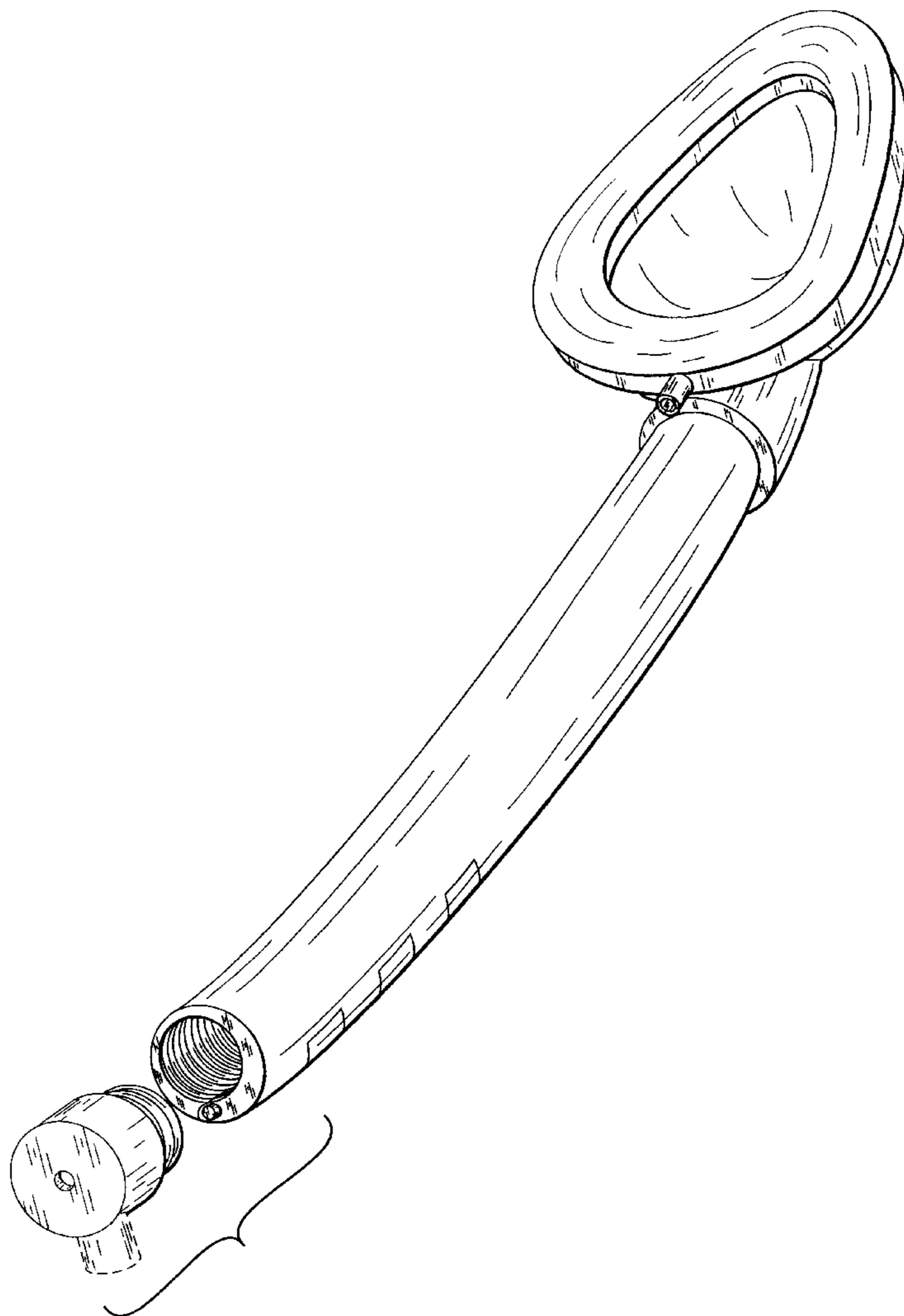
The broken line showing in FIGS. 1 through 7 is for illustrative purposes only and forms no part of the claimed design.

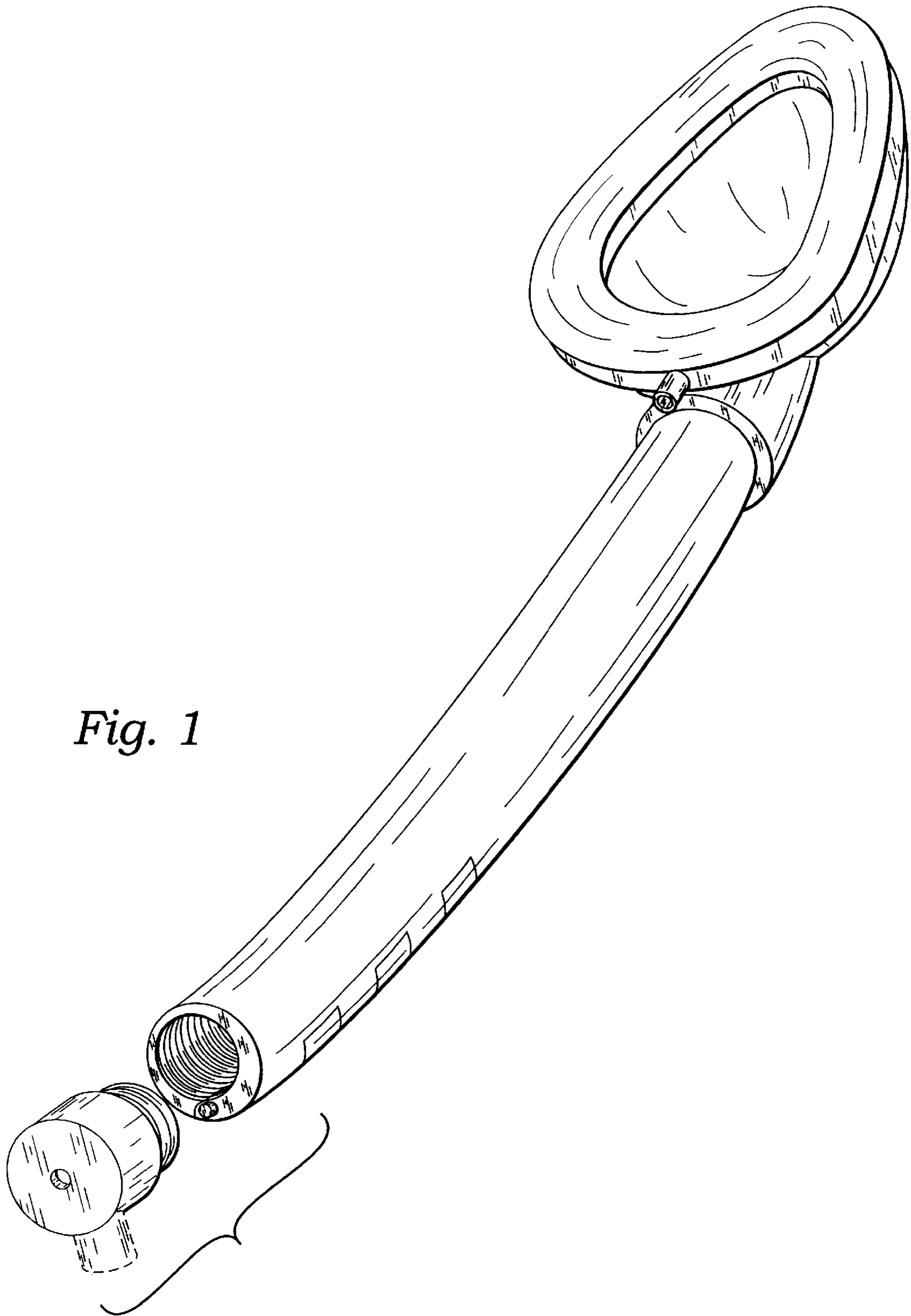
### [56] References Cited

#### U.S. PATENT DOCUMENTS

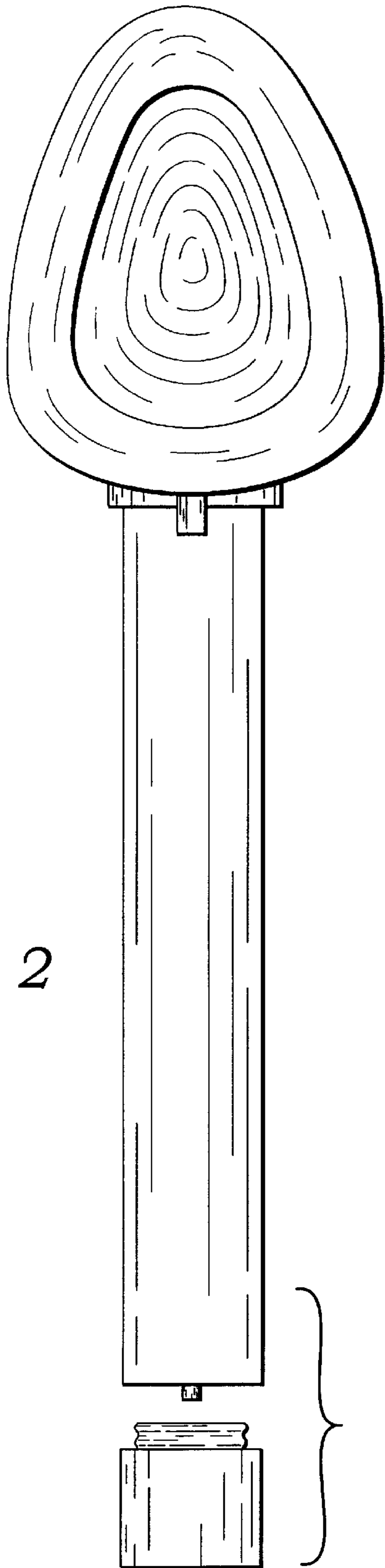
D. 293,613	1/1988	Wingler .....	D24/110.1
5,355,879	10/1994	Brain .....	128/207.15
5,477,851	12/1995	Callaghan .....	128/207.15
5,584,290	12/1996	Brain .....	128/207.15
5,623,921	4/1997	Kinsinger .....	128/200.26
5,682,880	11/1997	Brain .....	128/207.15

1 Claim, 4 Drawing Sheets

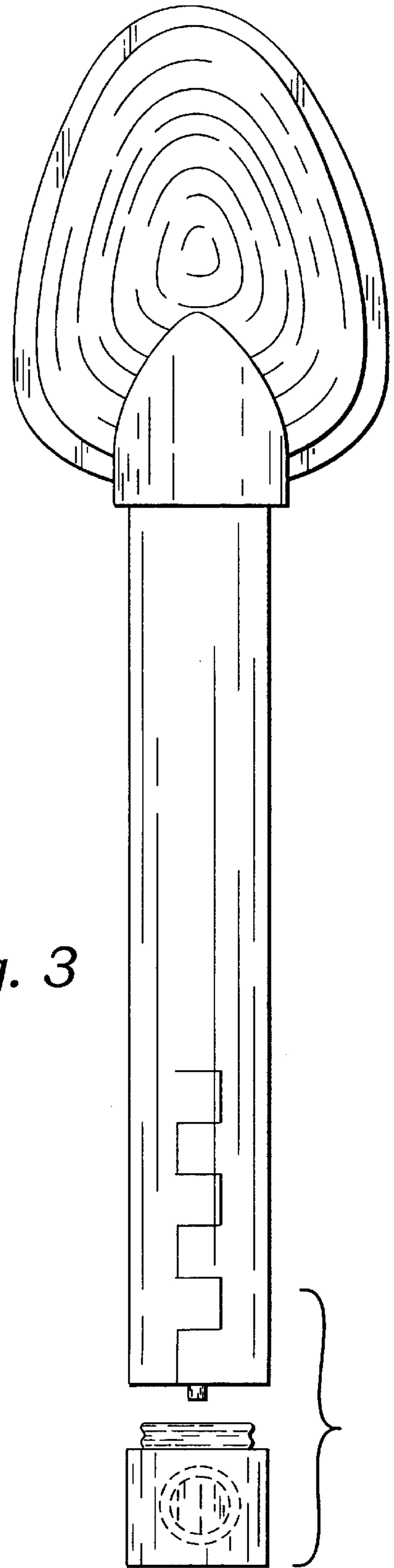




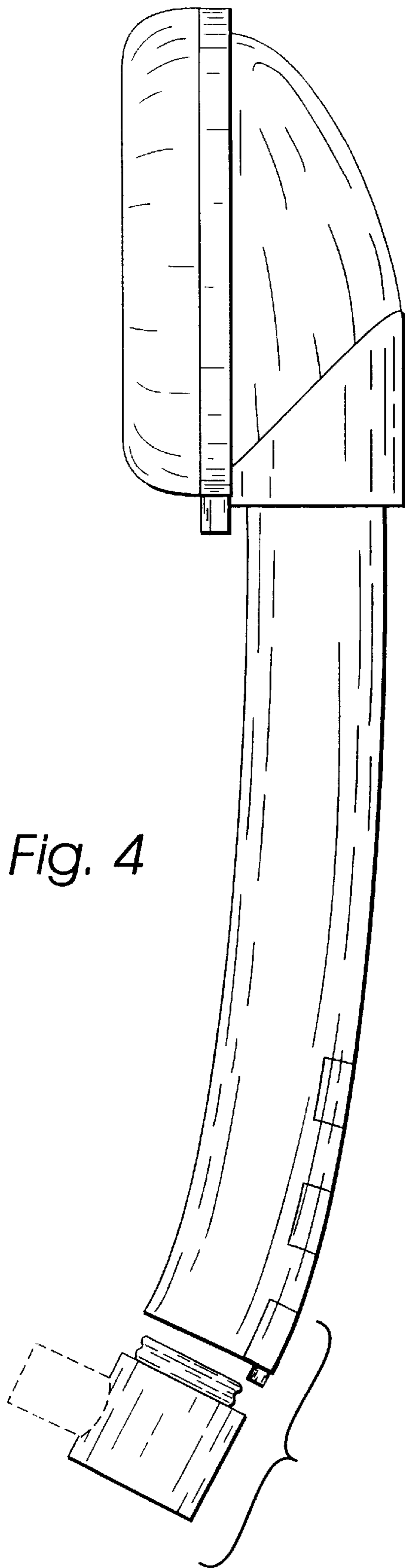
*Fig. 1*



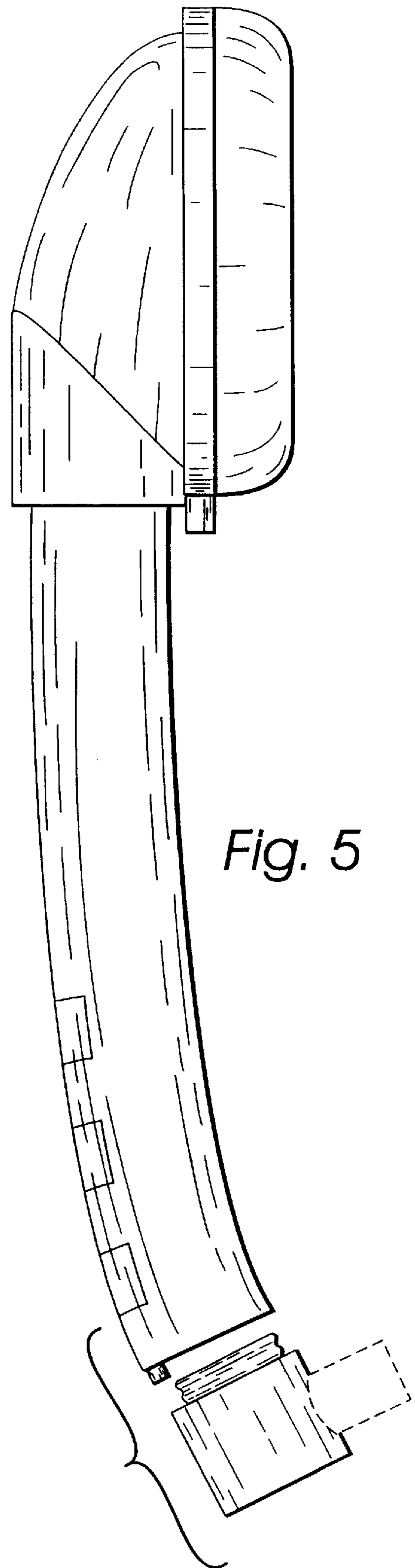
*Fig. 2*



*Fig. 3*

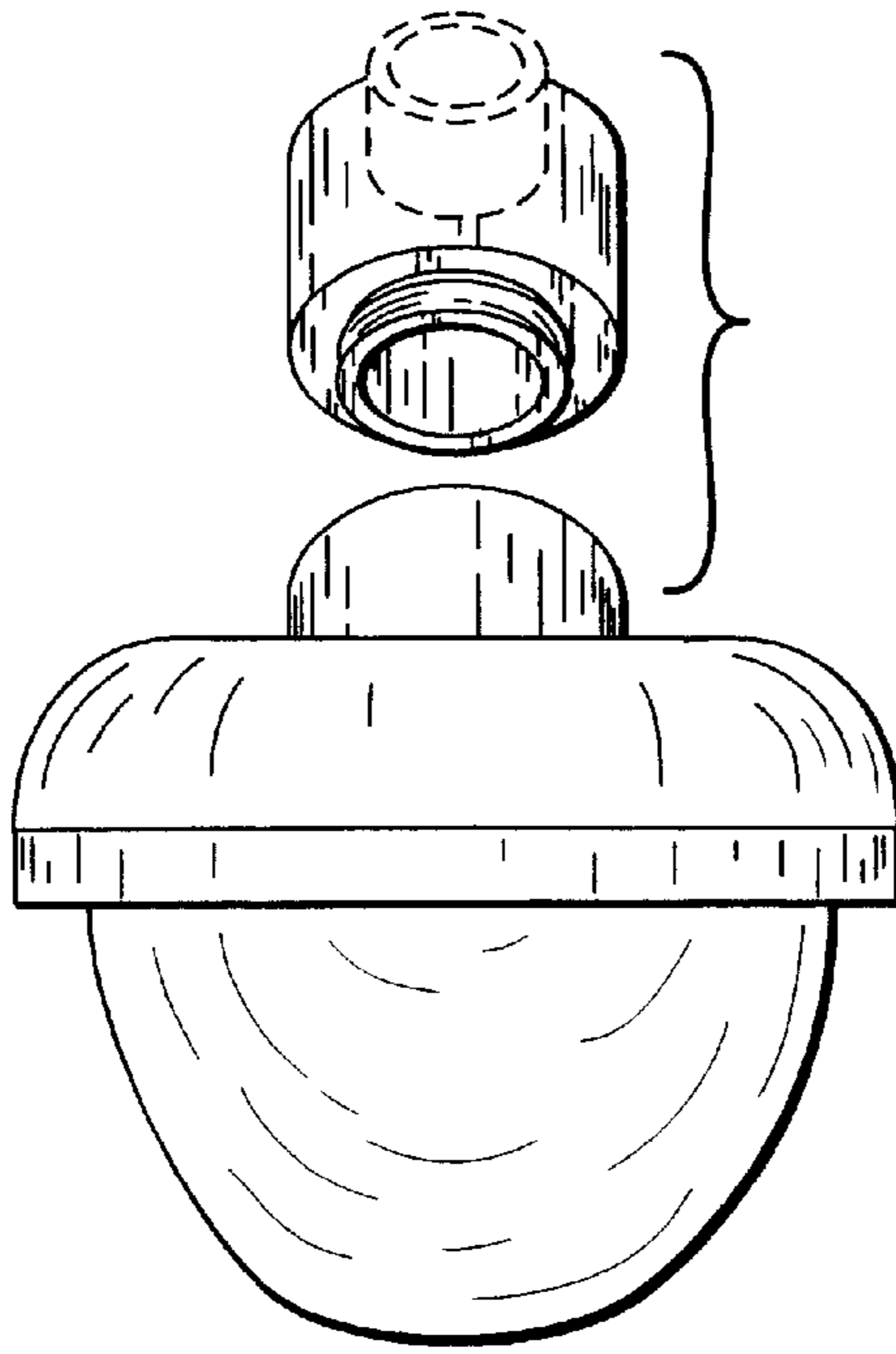


*Fig. 4*



*Fig. 5*

*Fig. 6*



*Fig. 7*

