



US00D429809S

United States Patent [19] Wolfe

[11] **Patent Number: Des. 429,809**

[45] **Date of Patent: ** Aug. 22, 2000**

[54] **FAN BASE**

[75] Inventor: **Robert E. Wolfe**, Holliston, Mass.

[73] Assignee: **The Holmes Group, Inc.**, Milford, Mass.

[**] Term: **14 Years**

[21] Appl. No.: **29/117,716**

[22] Filed: **Jan. 31, 2000**

[51] **LOC (7) Cl.** **23-04**

[52] **U.S. Cl.** **D23/411**

[58] **Field of Search** D23/381, 370,
D23/382, 411, 328, 335-337, 378; 416/244 R,
247 R, 246; D6/499; 248/676

[56] **References Cited**

U.S. PATENT DOCUMENTS

D. 291,352 8/1987 Kouno et al. D23/382

Primary Examiner—Lisa Lichtenstein

Attorney, Agent, or Firm—Hoffmann & Baron, LLP;
Francis E. Marino

[57] **CLAIM**

The ornamental design for a fan base, as shown and described.

DESCRIPTION

FIG. 1 is a top perspective view of a fan base showing my new design;

FIG. 2 is a front elevation view thereof;

FIG. 3 is a top plan view thereof;

FIG. 4 is a right side elevation view thereof;

FIG. 5 is a left side elevation view thereof; and,

FIG. 6 is an unobstructed top plan view thereof.

The broken line showing of environmental structure in FIGS. 1-5 is for illustrative purposes only and forms no part of the claimed design.

The bottom view and back view form no part of the claimed design.

1 Claim, 6 Drawing Sheets

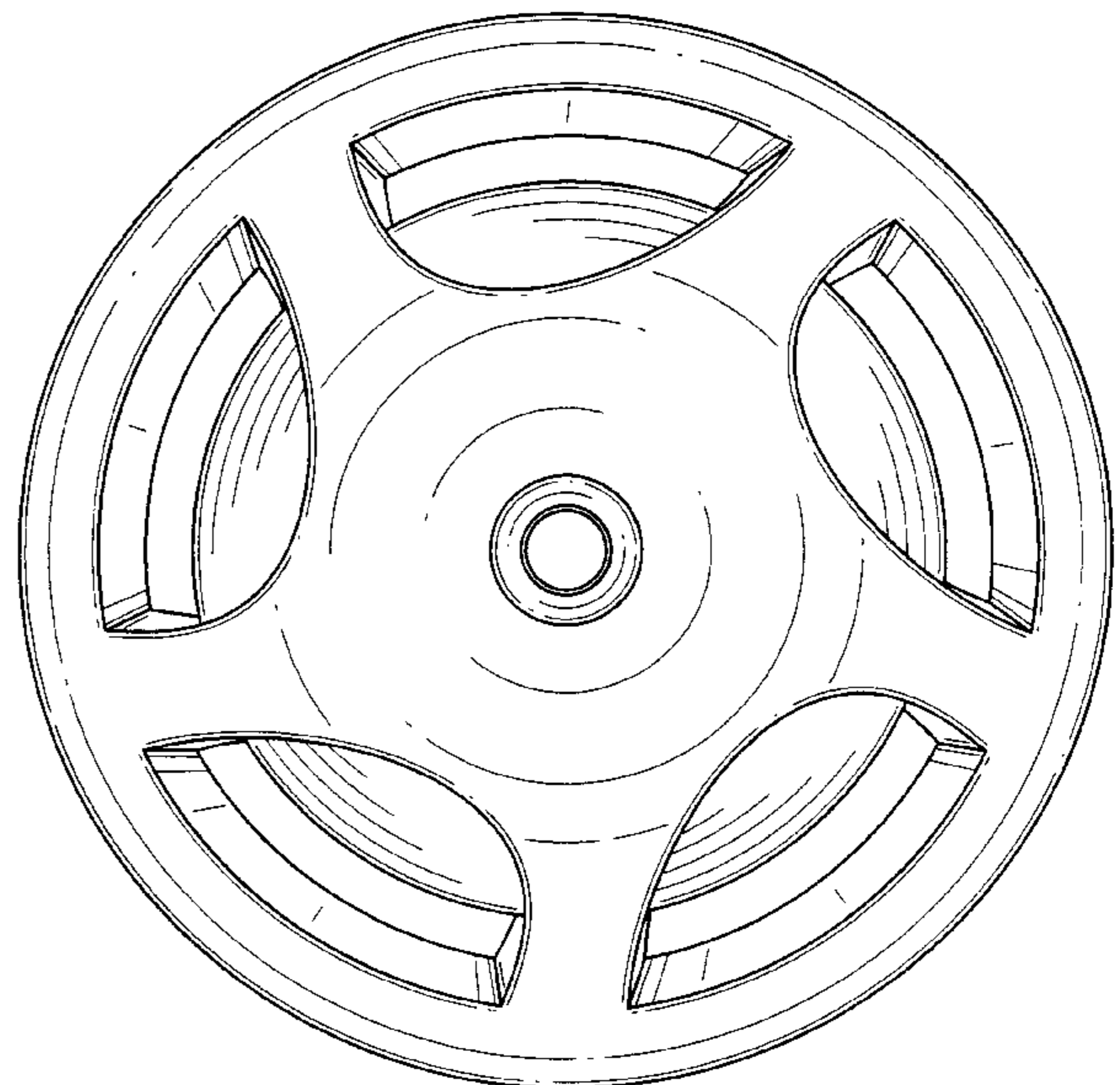
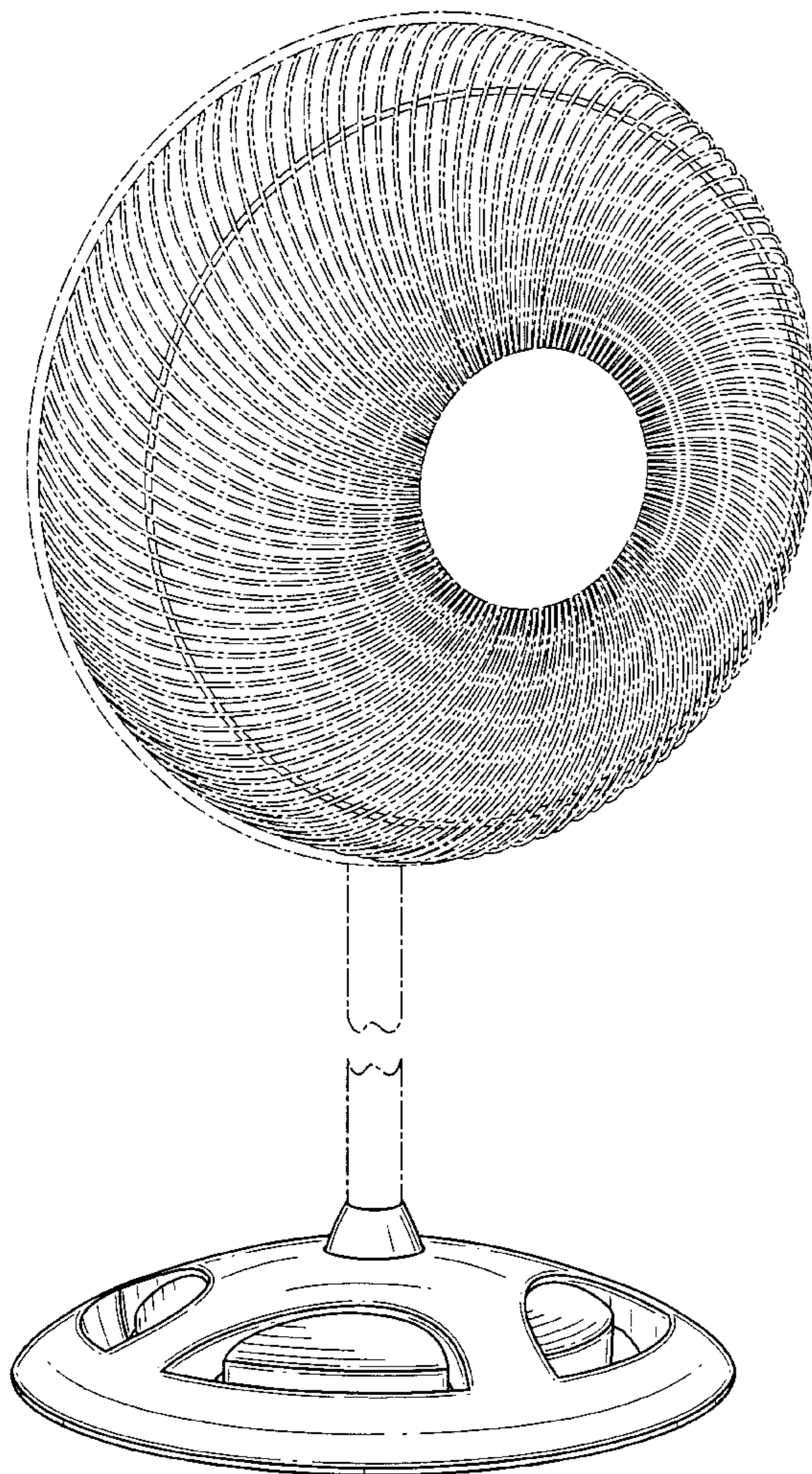


FIG. 1

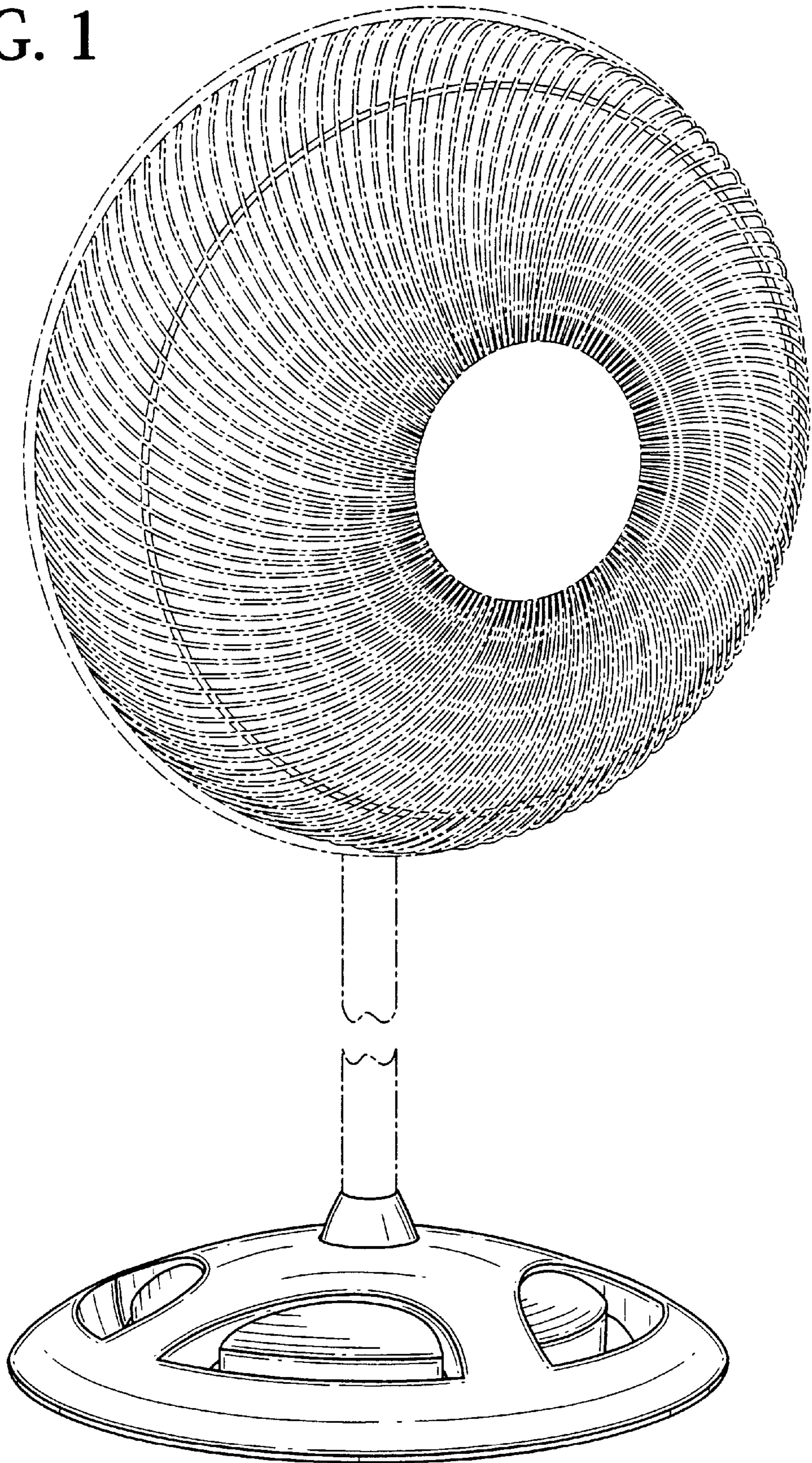


FIG. 2

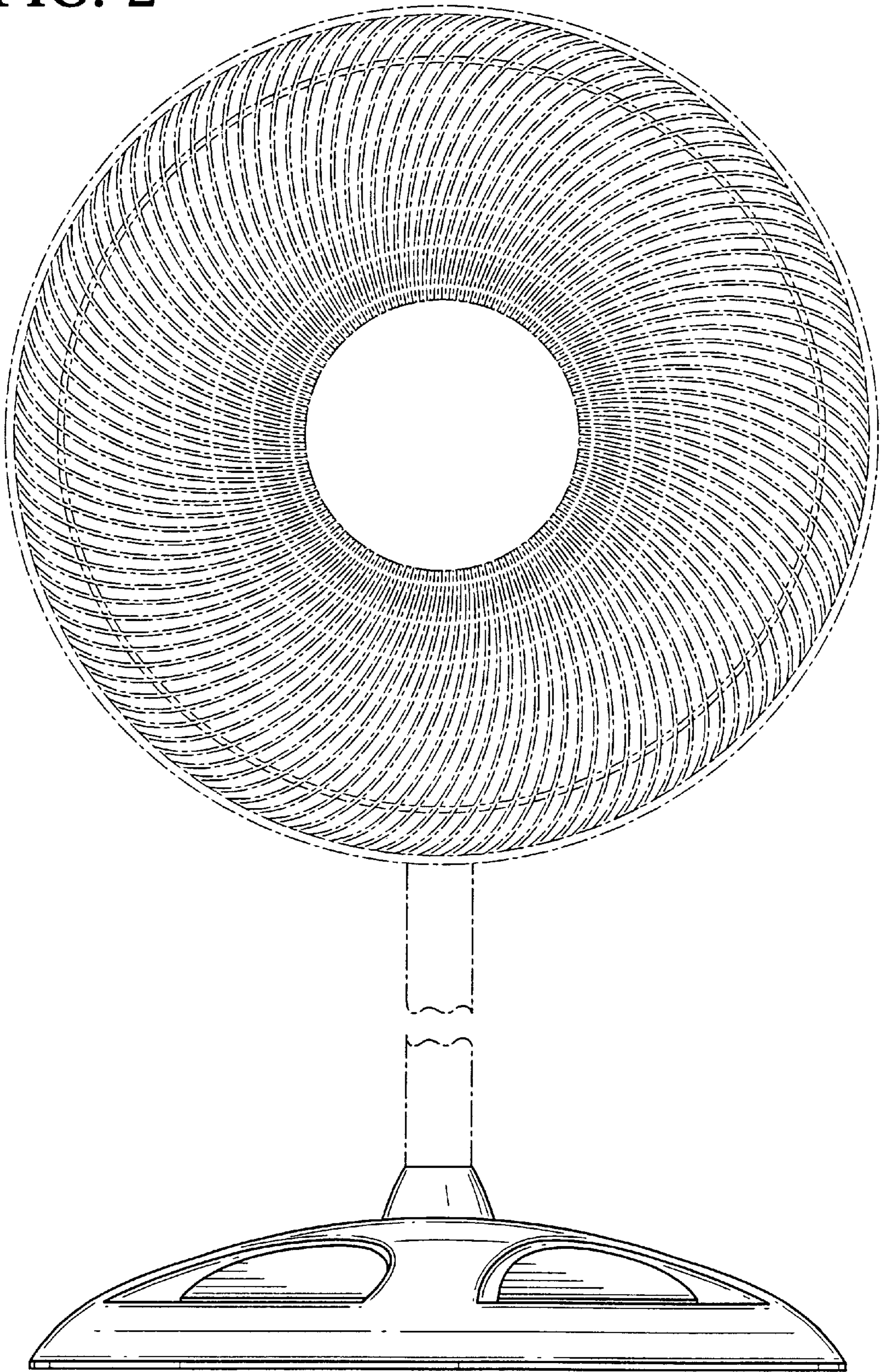


FIG. 3

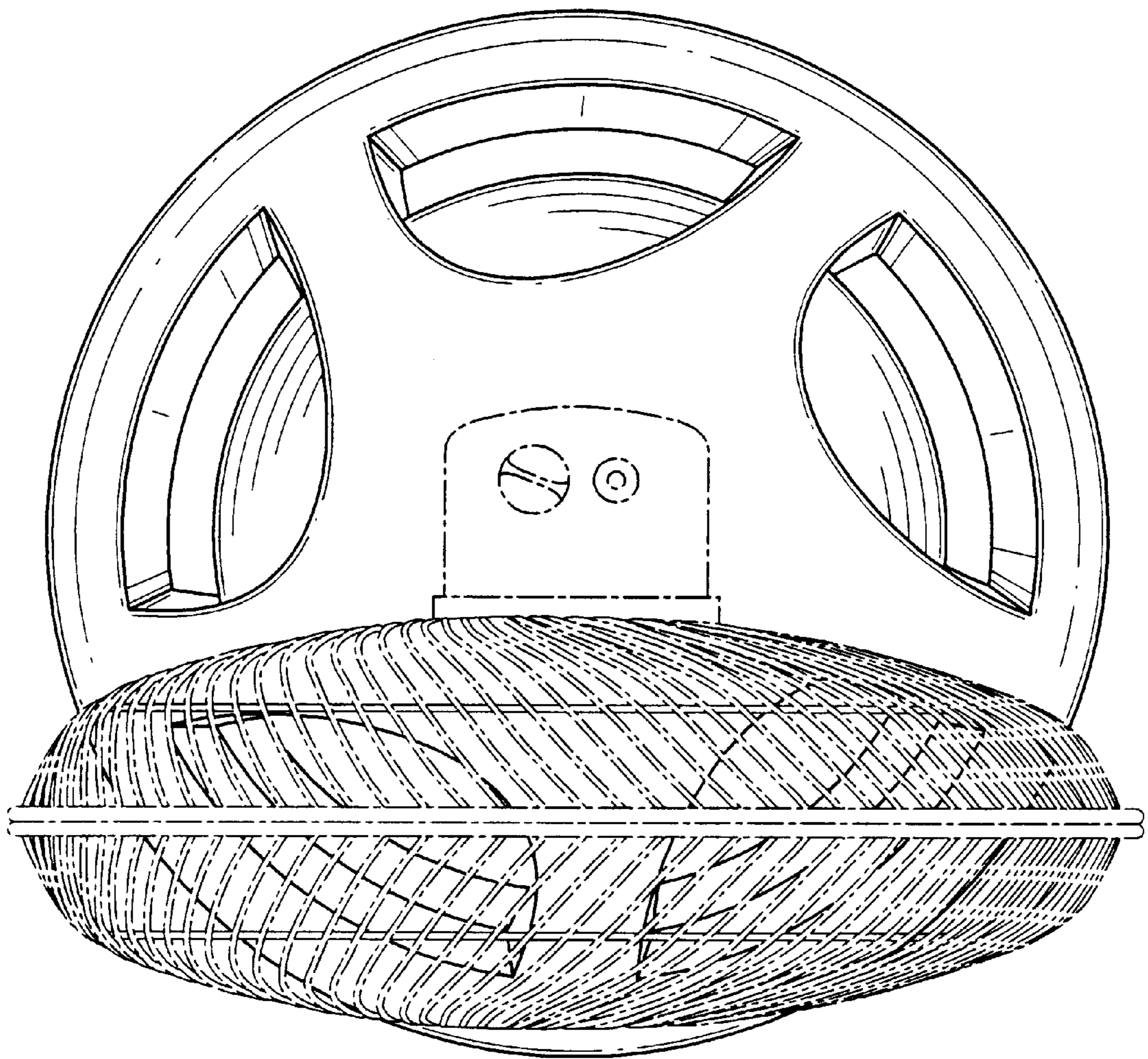


FIG. 4

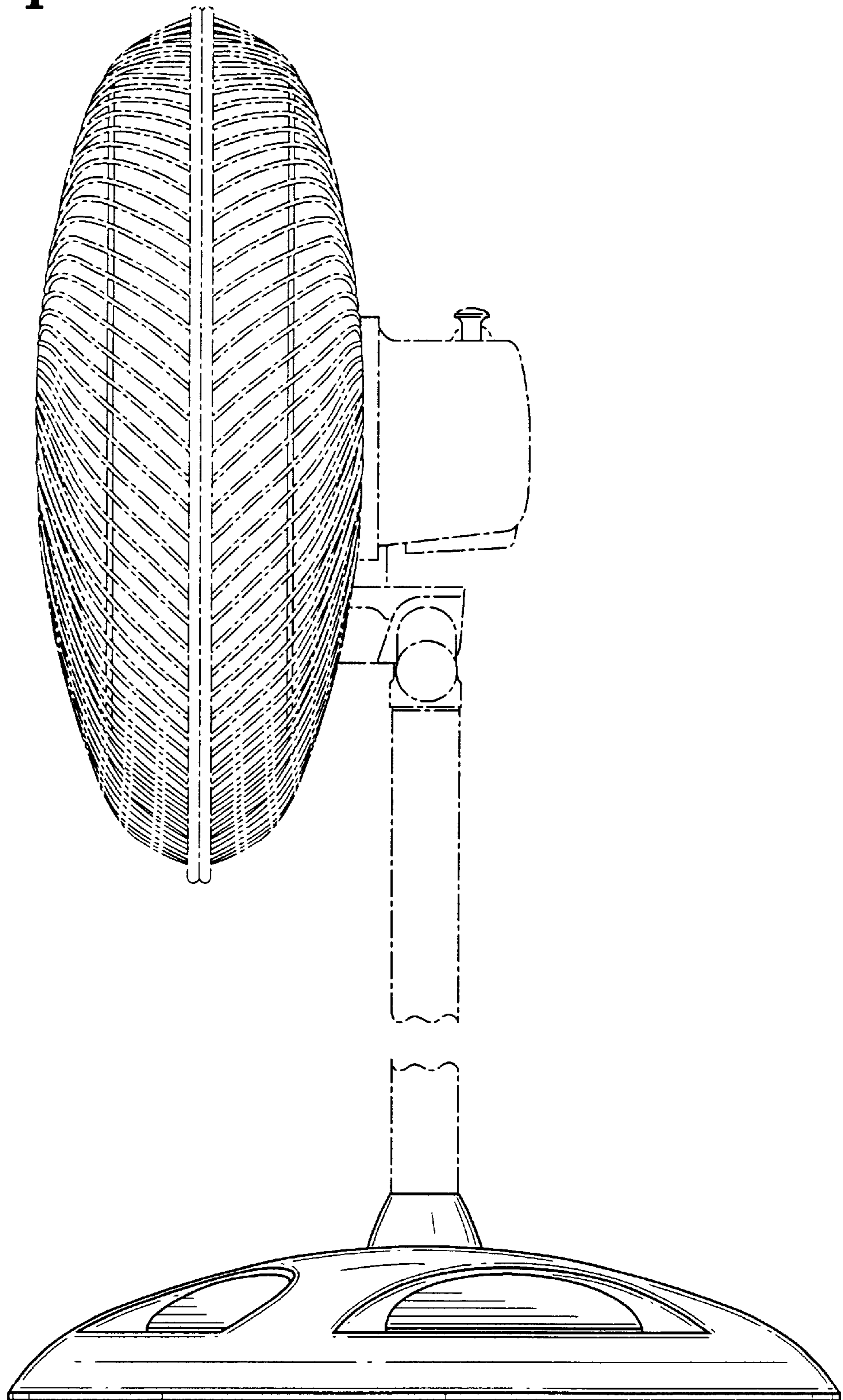


FIG. 5

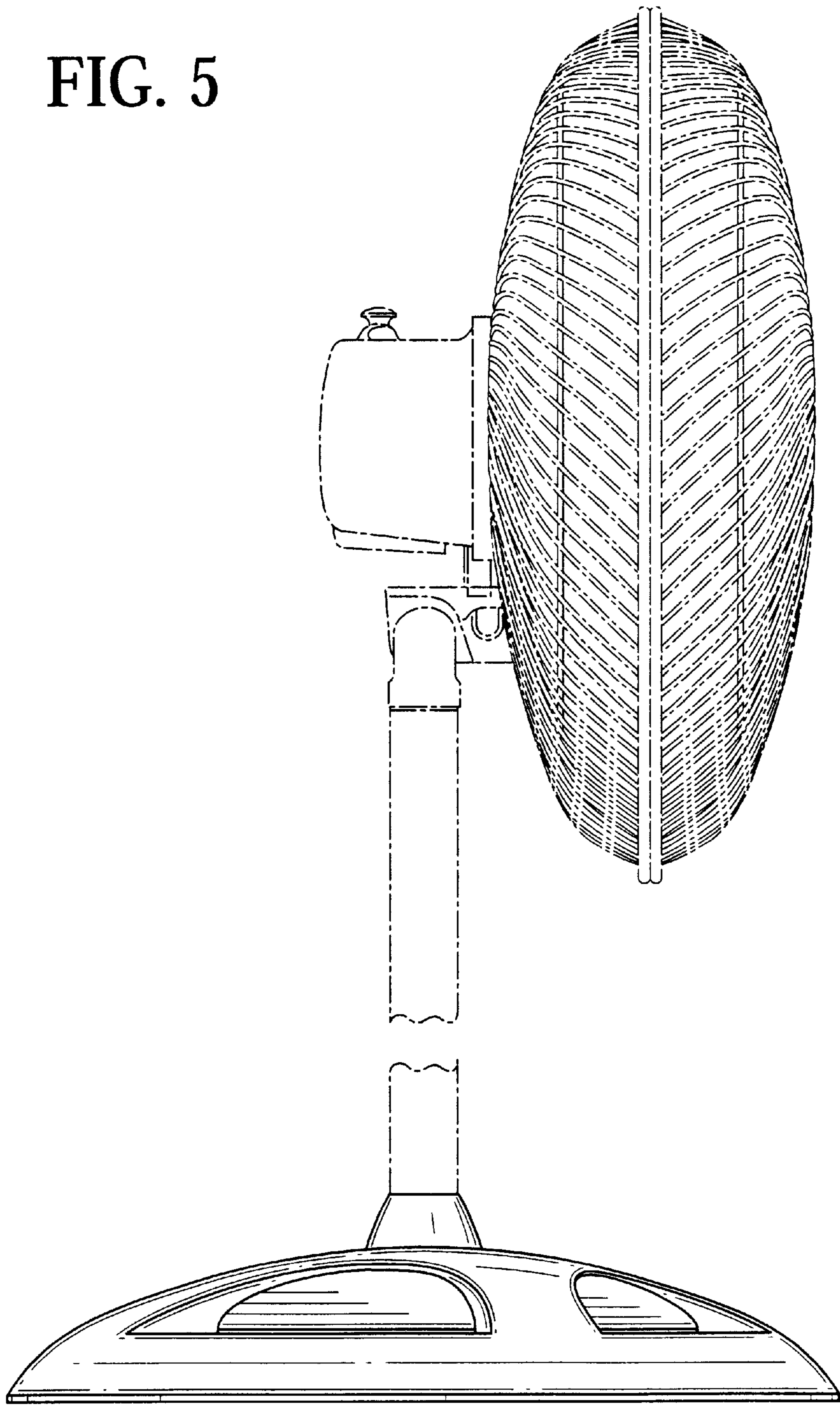


FIG. 6

