



US00D429803S

United States Patent [19] Schmidt

[11] **Patent Number: Des. 429,803**

[45] **Date of Patent: ** Aug. 22, 2000**

[54] **HEATING APPARATUS**

3,540,429 11/1970 Svensson et al. .
4,082,993 4/1978 Oakes .

[75] Inventor: **Franklin T. Schmidt**, Mulvane, Kans.

Primary Examiner—B. J. Bullock
Attorney, Agent, or Firm—Kramer Levin Naftalis & Frankel
LLP

[73] Assignee: **The Coleman Company, Inc.**, Wichita,
Kans.

[**] Term: **14 Years**

[57] **CLAIM**

[21] Appl. No.: **29/116,959**

The ornamental design for a heating apparatus, as shown and described.

[22] Filed: **Jan. 13, 2000**

DESCRIPTION

[51] **LOC (7) Cl.** **23-03**

[52] **U.S. Cl.** **D23/336; D23/339**

[58] **Field of Search** D23/332, 335,
D23/336, 339; 431/328, 343-345; 126/85 R,
91 R, 92 B, 92 AC, 90 R, 90 A

FIG. 1 is a front perspective view showing the new design;
FIG. 2 is a front elevation view thereof;
FIG. 3 is a side elevation view thereof, the opposite side
being a mirror image;
FIG. 4 is a top plan view thereof;
FIG. 5 is a bottom plan view thereof; and,
FIG. 6 is a rear elevation view thereof.

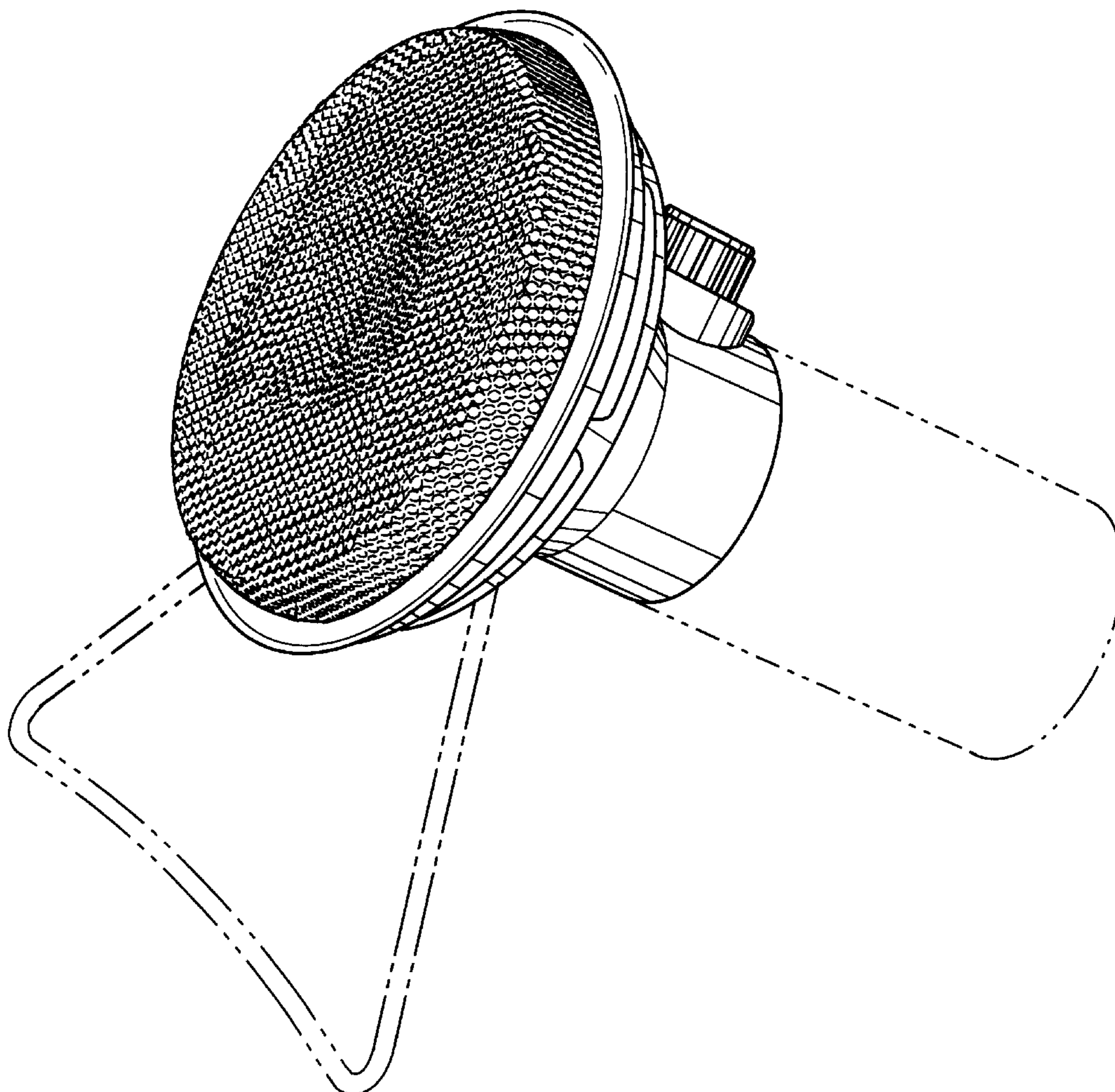
[56] **References Cited**

U.S. PATENT DOCUMENTS

- D. 201,113 5/1965 Grover .
- 3,139,879 7/1964 Bauer et al. .
- 3,179,156 4/1965 Weiss et al. .
- 3,425,406 2/1969 Mejyr .

The broken lines showings of the grille pattern, the tank and stand are for illustrative purposes only and form no part of the claimed design.

1 Claim, 6 Drawing Sheets



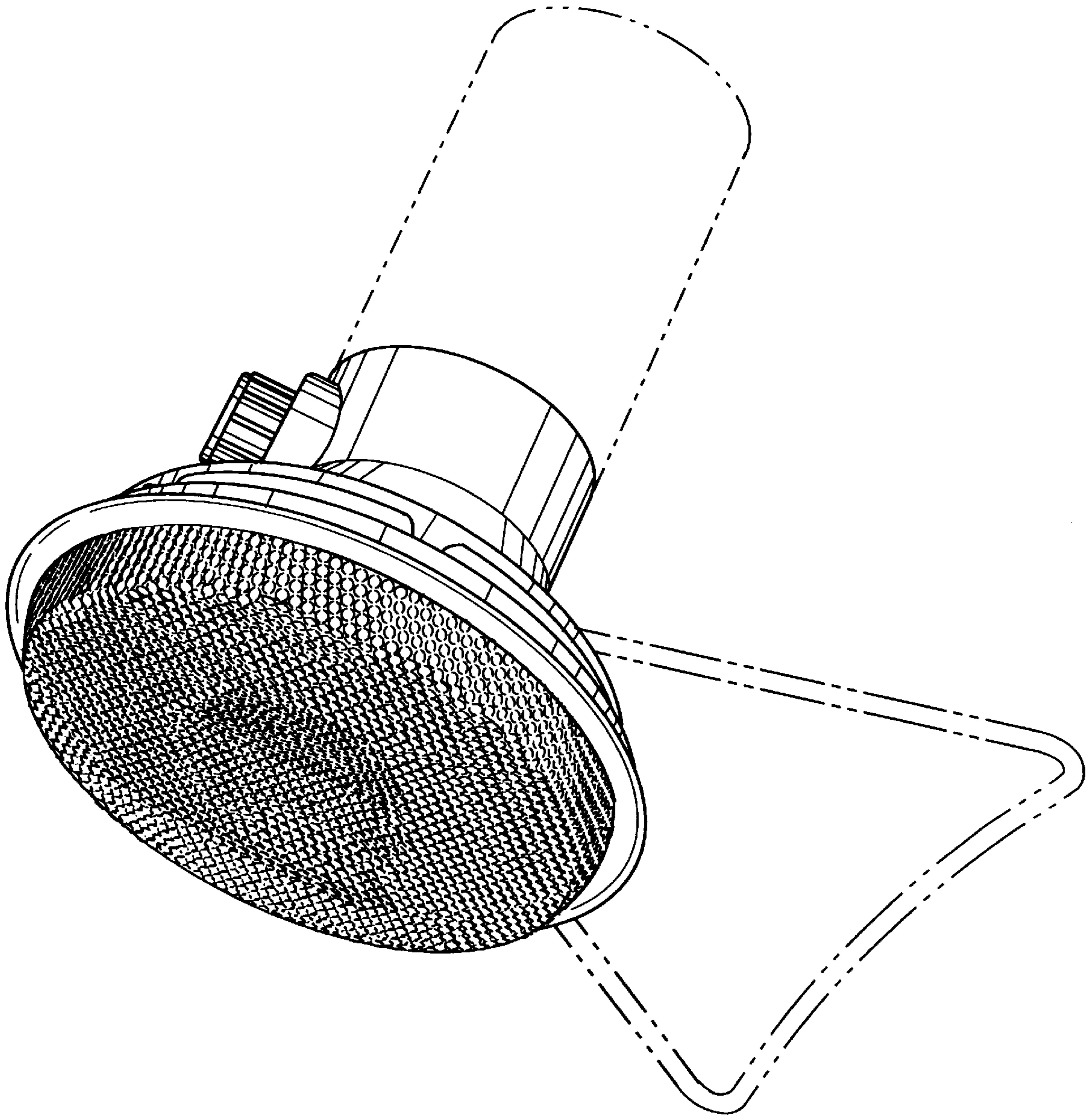


FIG. 1

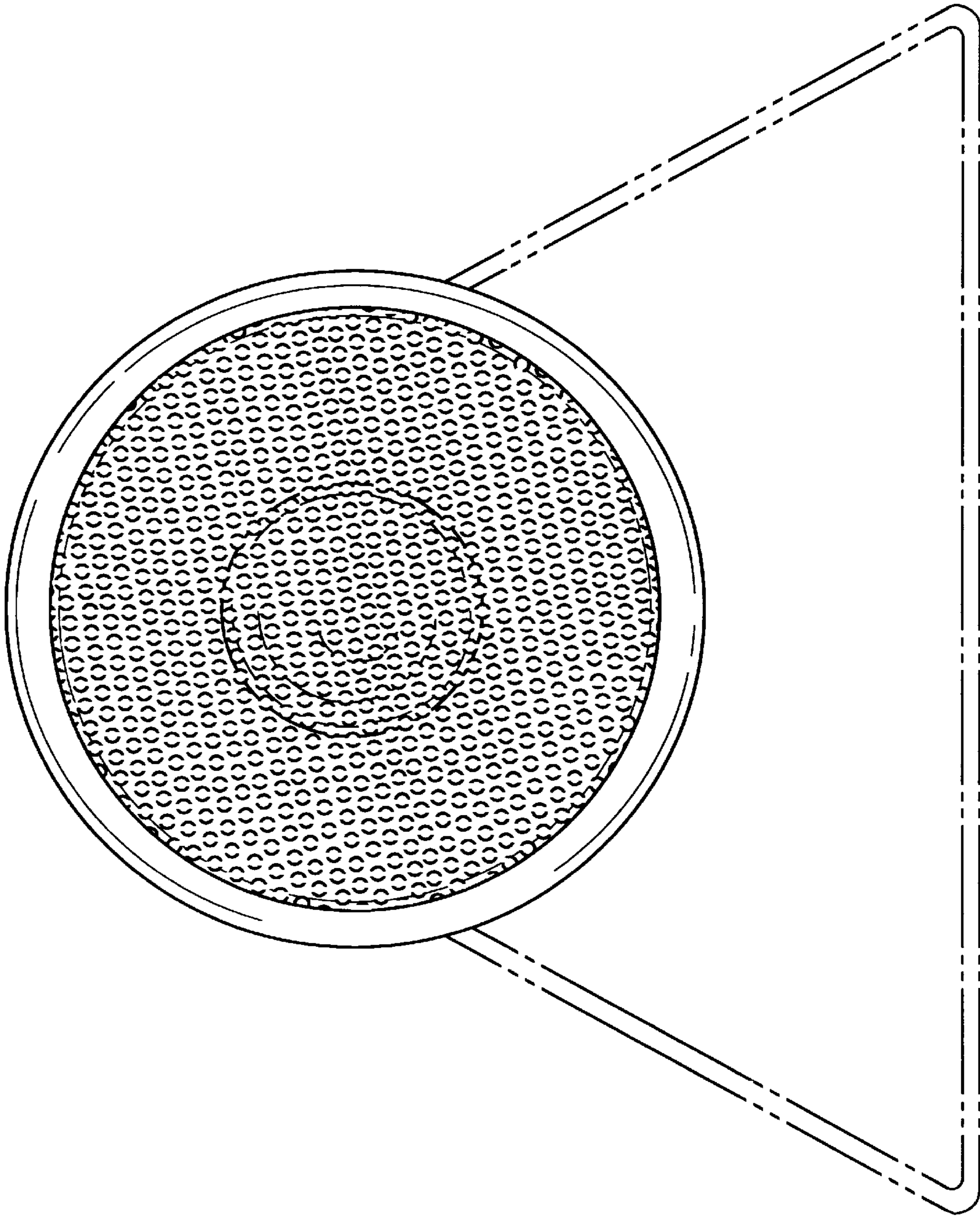


FIG. 2

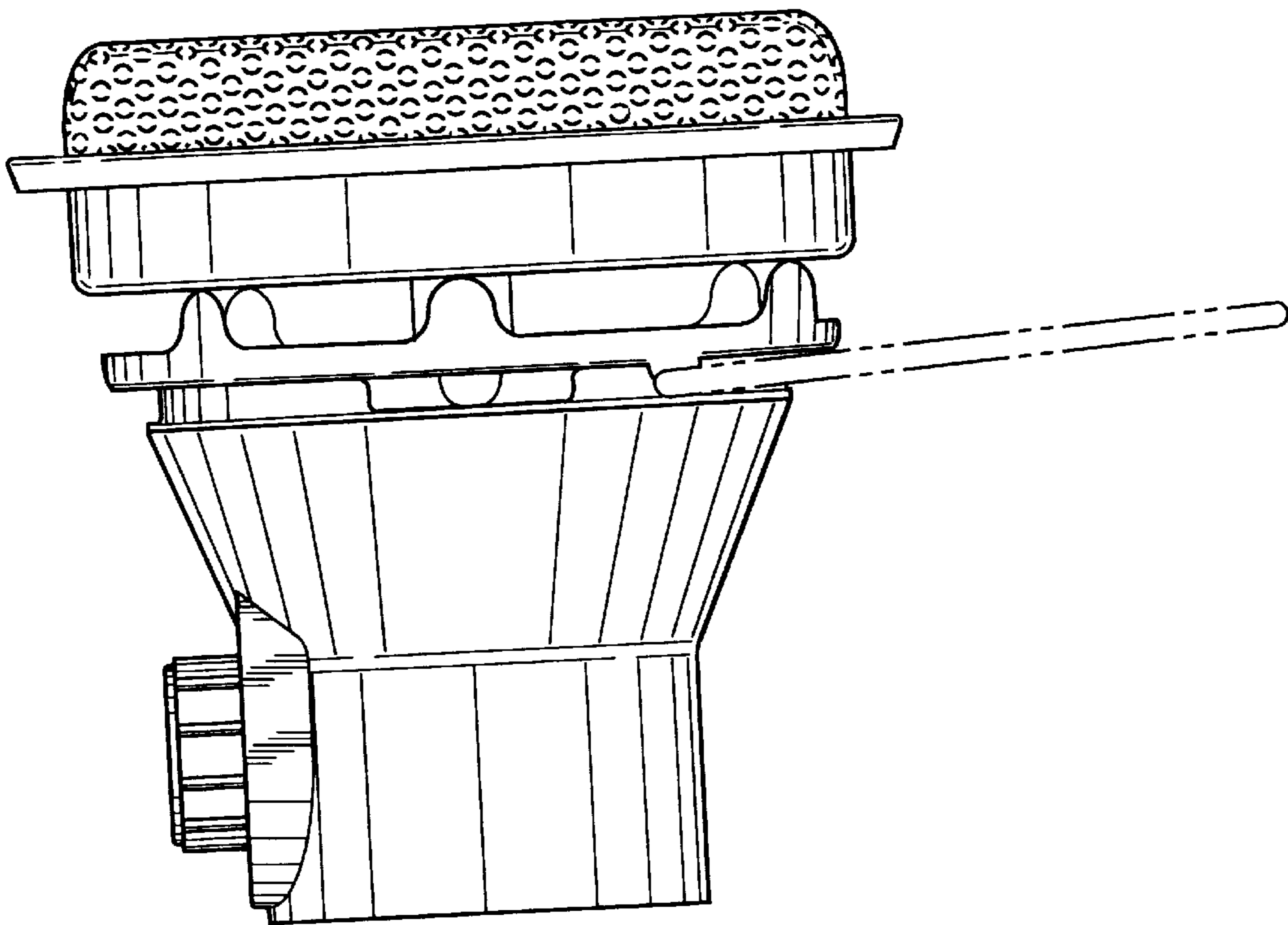


FIG. 3

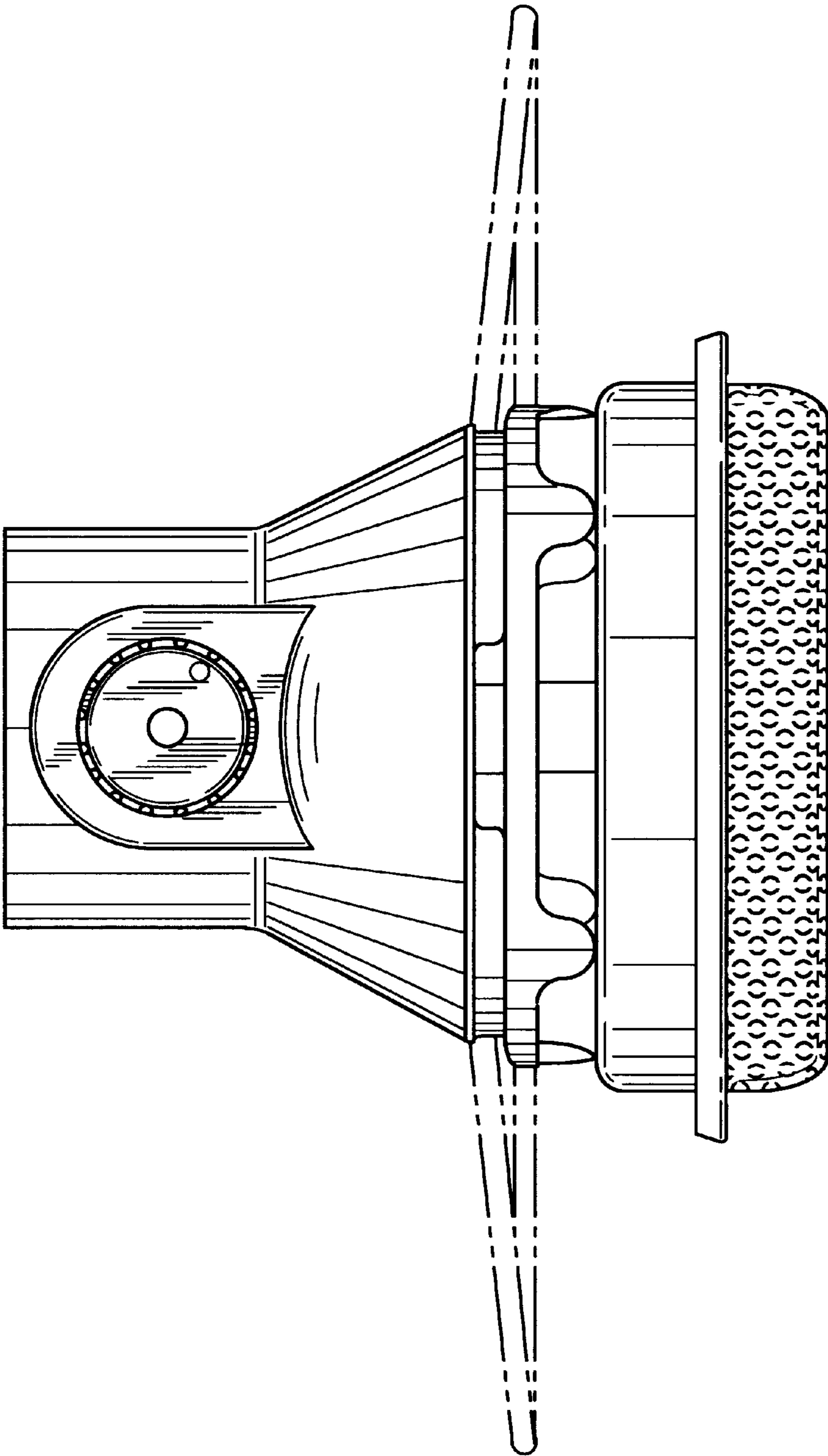


FIG. 4

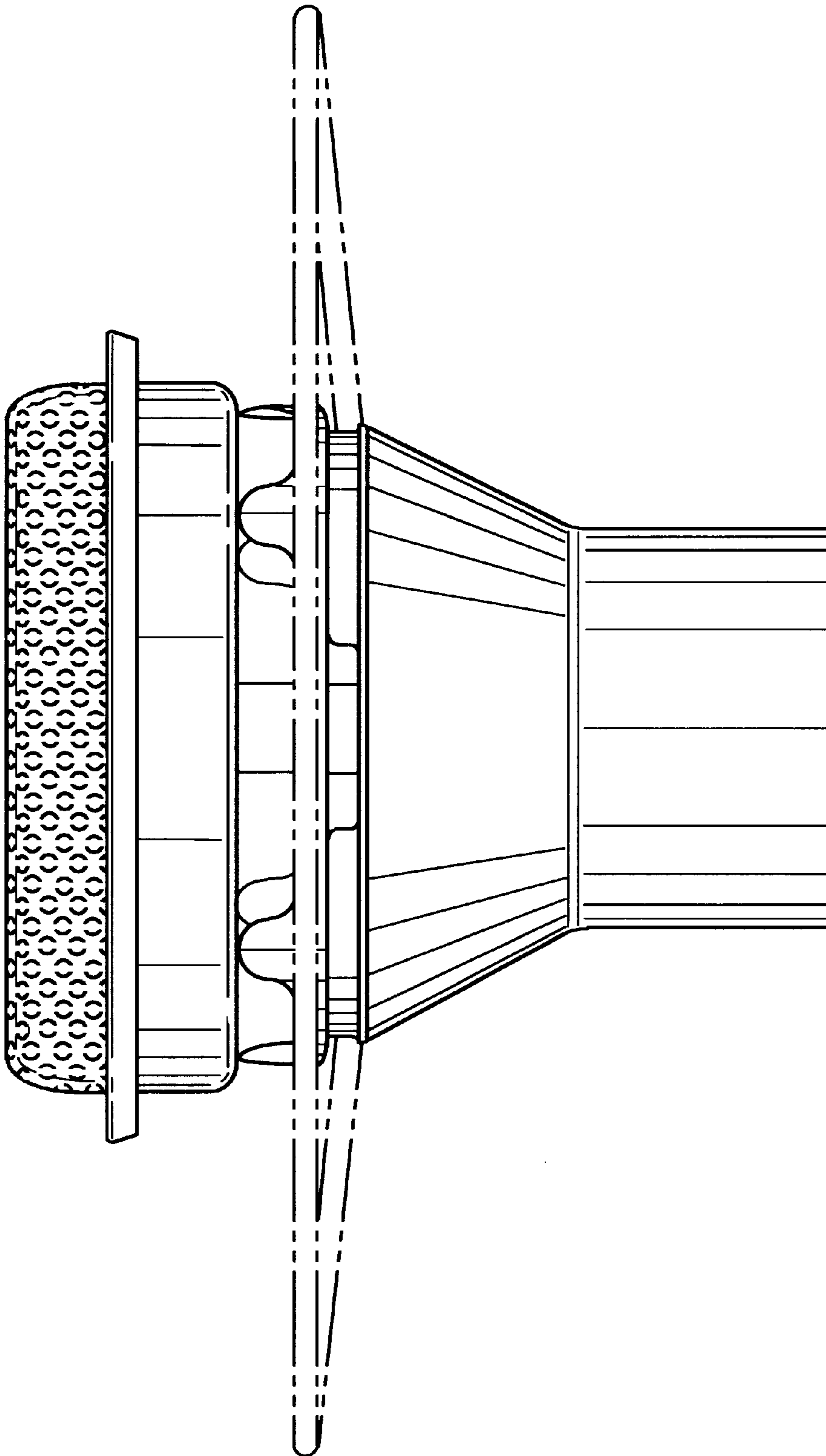


FIG. 5

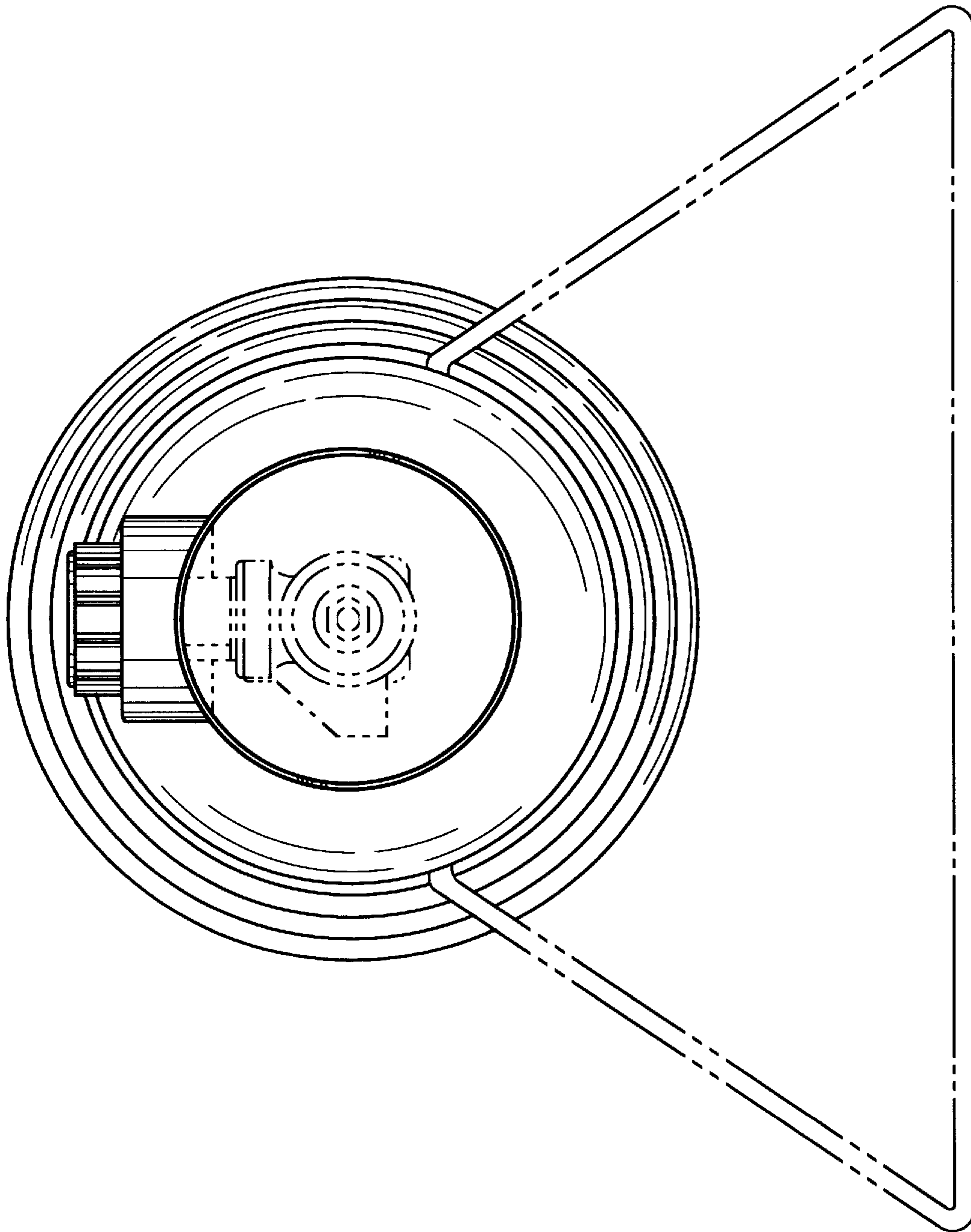


FIG. 6